



US00D792307S

(12) **United States Design Patent**
Macey et al.

(10) **Patent No.:** **US D792,307 S**

(45) **Date of Patent:** **** Jul. 18, 2017**

(54) **AUTOMOBILE WHEEL**

(71) Applicants: **Alan S Macey**, Bloomfield, MI (US);
Brian H Nielander, Royal Oak, MI (US)

(72) Inventors: **Alan S Macey**, Bloomfield, MI (US);
Brian H Nielander, Royal Oak, MI (US)

(73) Assignee: **FCA US LLC**, Auburn Hills, MI (US)

(**) Term: **15 Years**

(21) Appl. No.: **29/565,410**

(22) Filed: **May 20, 2016**

(51) **LOC (10) Cl.** **12-16**

(52) **U.S. Cl.**
USPC **D12/209**

(58) **Field of Classification Search**
USPC D12/204–213
CPC B60B 7/00; B60B 7/02; B60B 7/04; B60B 7/01; B60B 7/06; B60B 3/02; B60B 3/04; B60B 3/06; B60B 3/10; B60B 1/00; B60B 1/08; B60B 1/10; B60B 1/12
See application file for complete search history.

(56) **References Cited**

U.S. PATENT DOCUMENTS

D286,278 S	*	10/1986	Sandberg	D12/211
D403,648 S	*	1/1999	Feriero	D12/209
D432,479 S	*	10/2000	Lee	D12/209
D436,907 S	*	1/2001	Ong	D12/209

D503,917 S	*	4/2005	Kushartanto	D12/209
D505,371 S	*	5/2005	Hueller	D12/209
D515,997 S	*	2/2006	Phillips	D12/209
D535,934 S	*	1/2007	Scheu	D12/211
D538,215 S	*	3/2007	Laengerer	D12/209
D553,067 S	*	10/2007	Muzzarelli	D12/211
D574,310 S	*	8/2008	Huet	D12/209
D589,426 S	*	3/2009	Yoon	D12/211
D623,110 S	*	9/2010	Juergens	D12/209
D670,224 S	*	11/2012	Goto	D12/209
D690,248 S	*	9/2013	Bildhaeuser	D12/209
D705,713 S	*	5/2014	Wagener	D12/209
D744,399 S	*	12/2015	Juergens	D12/209
D754,049 S	*	4/2016	Valencia Pollex	D12/209
D763,762 S	*	8/2016	Ghobrial	D12/209
D764,369 S	*	8/2016	Wheel	D12/209
D764,373 S	*	8/2016	Valencia Pollex	D12/211

* cited by examiner

Primary Examiner — Stacia Cadmus

(74) *Attorney, Agent, or Firm* — Ralph E Smith

(57) **CLAIM**

The ornamental design for an automobile wheel, as shown and described.

DESCRIPTION

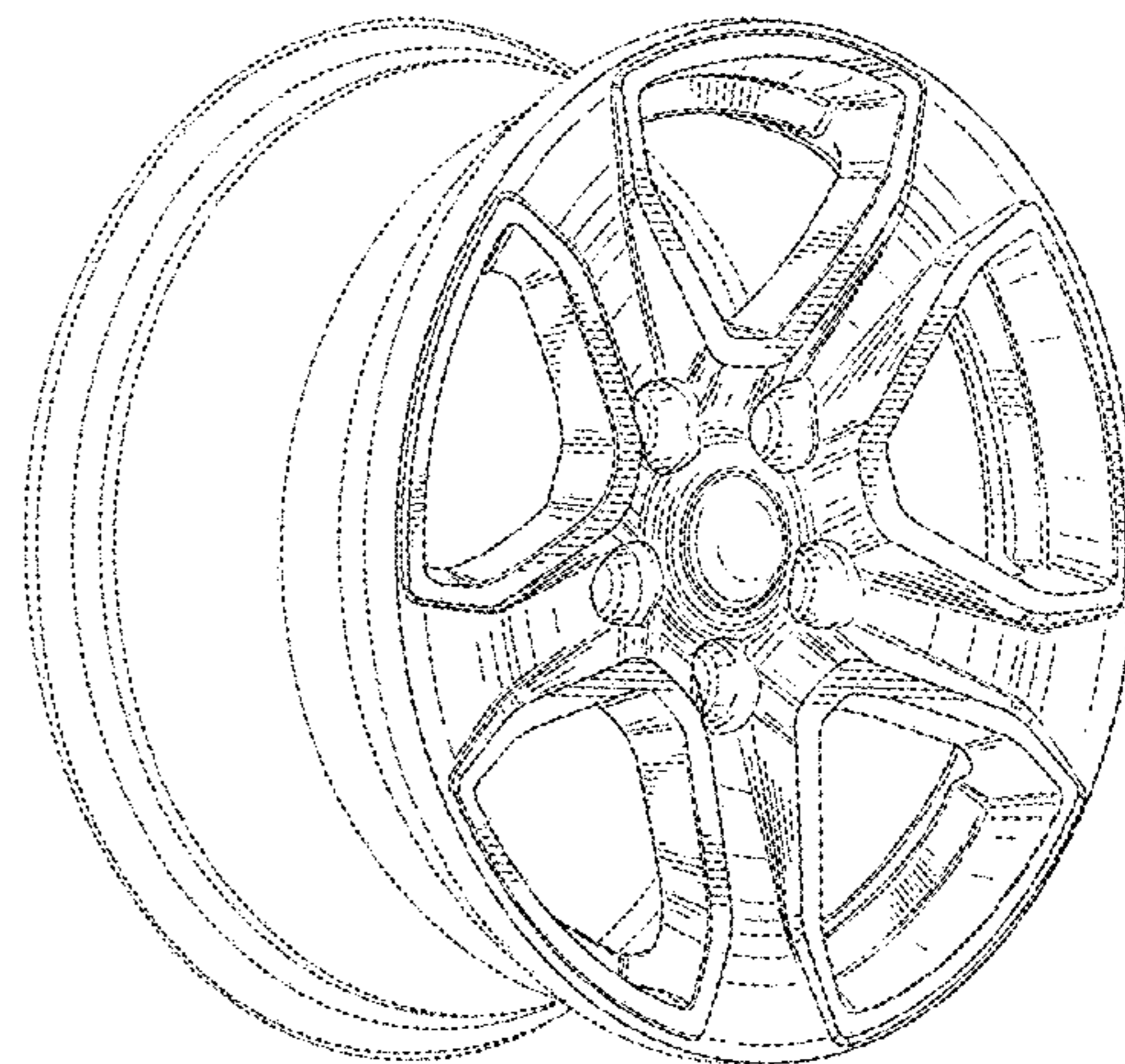
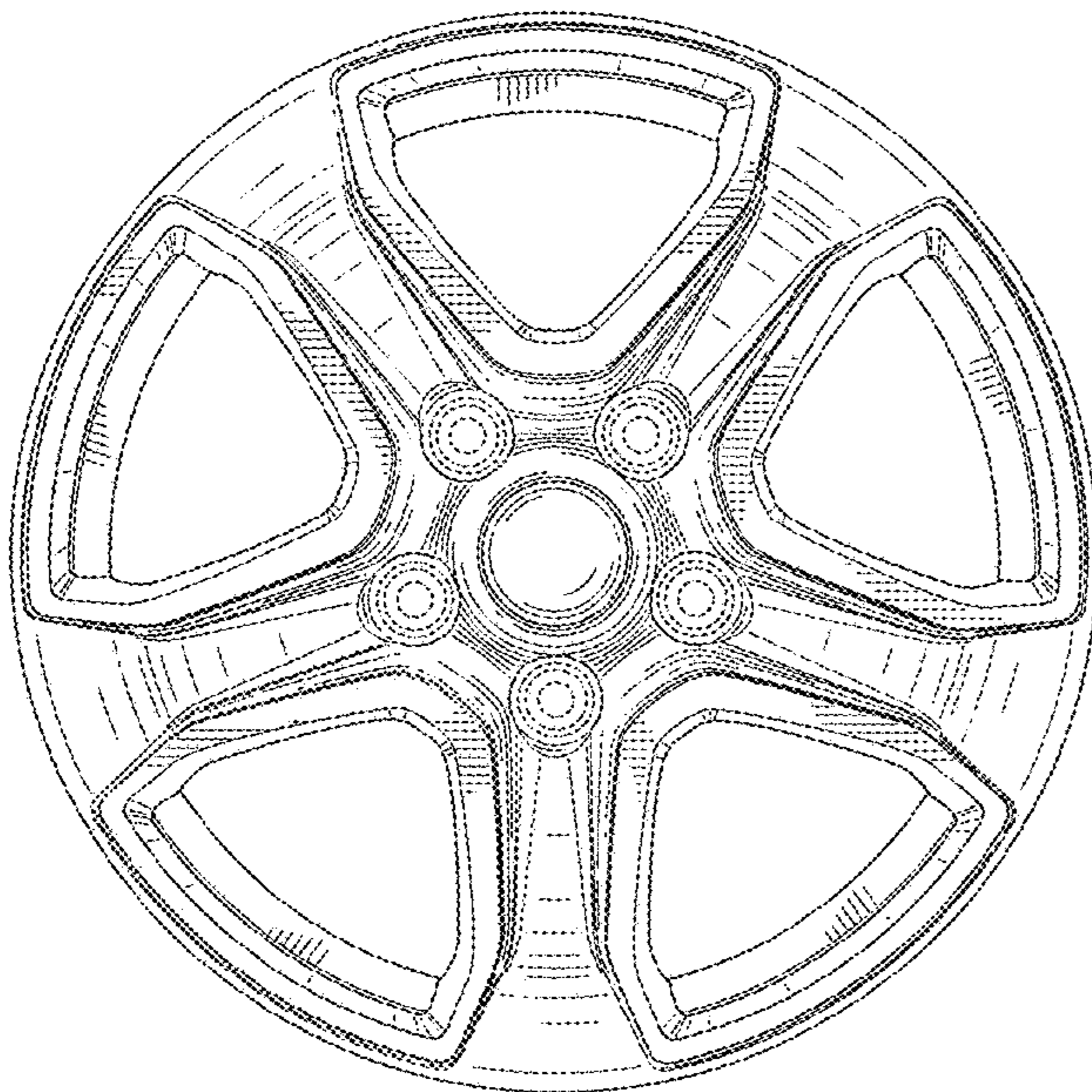
FIG. 1 is a front view of an automobile wheel showing our new design;

FIG. 2 is a right side perspective view thereof; and,

FIG. 3 is a left side perspective view.

It will be understood that the broken lines shown in the drawings illustrate portions of the automobile wheel that form no part of claimed design.

1 Claim, 3 Drawing Sheets



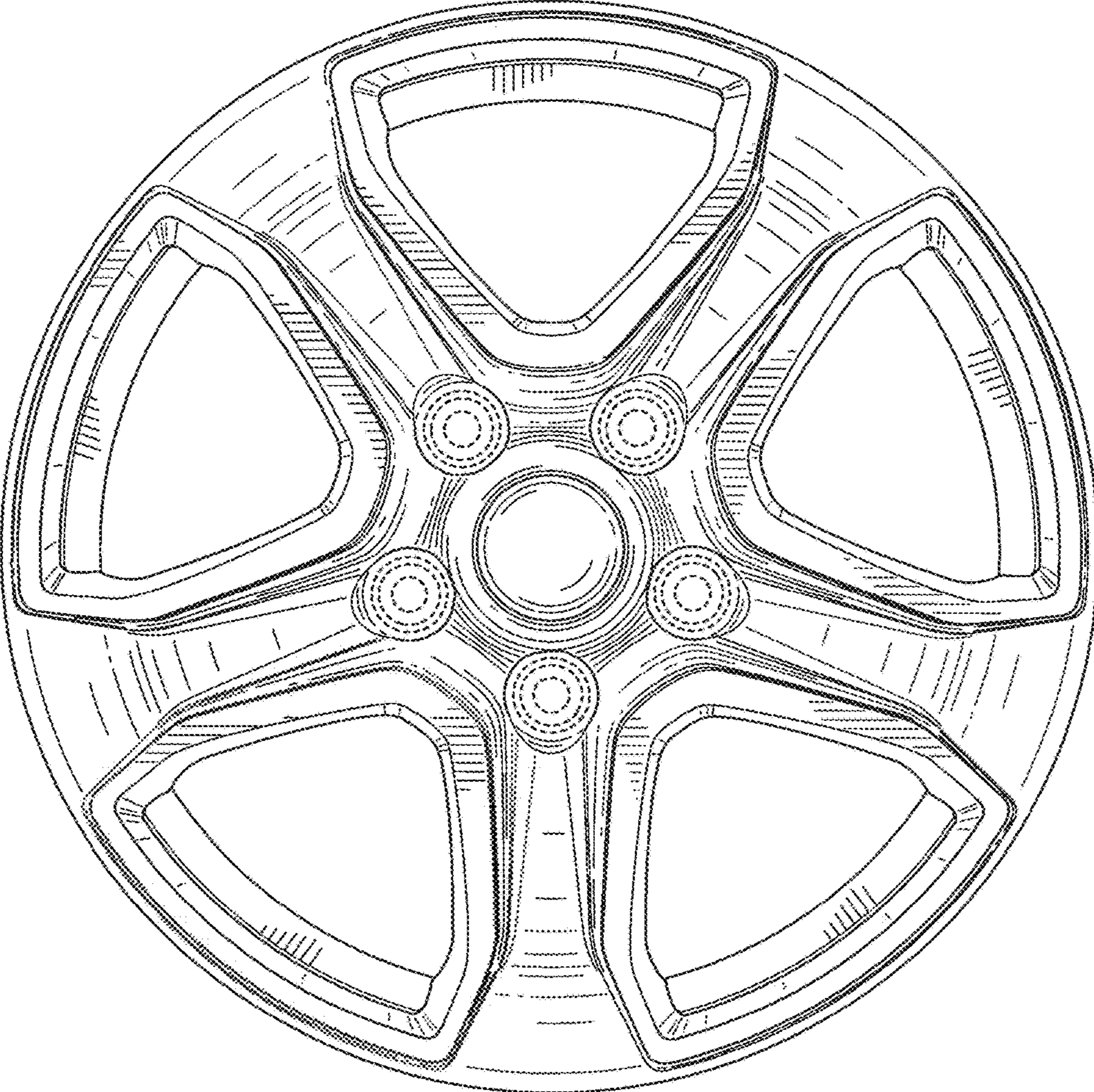


FIG. 1

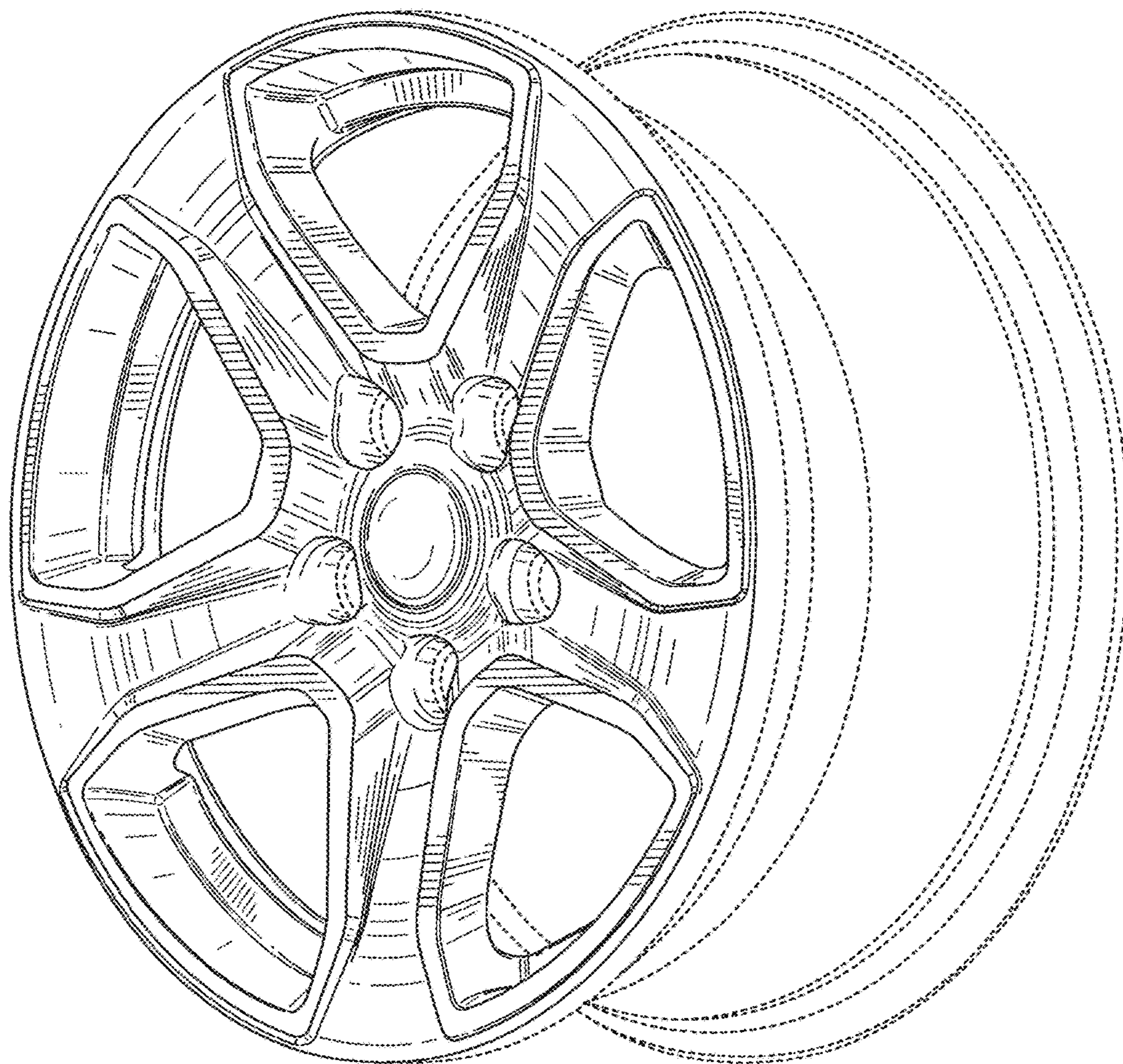


FIG. 2

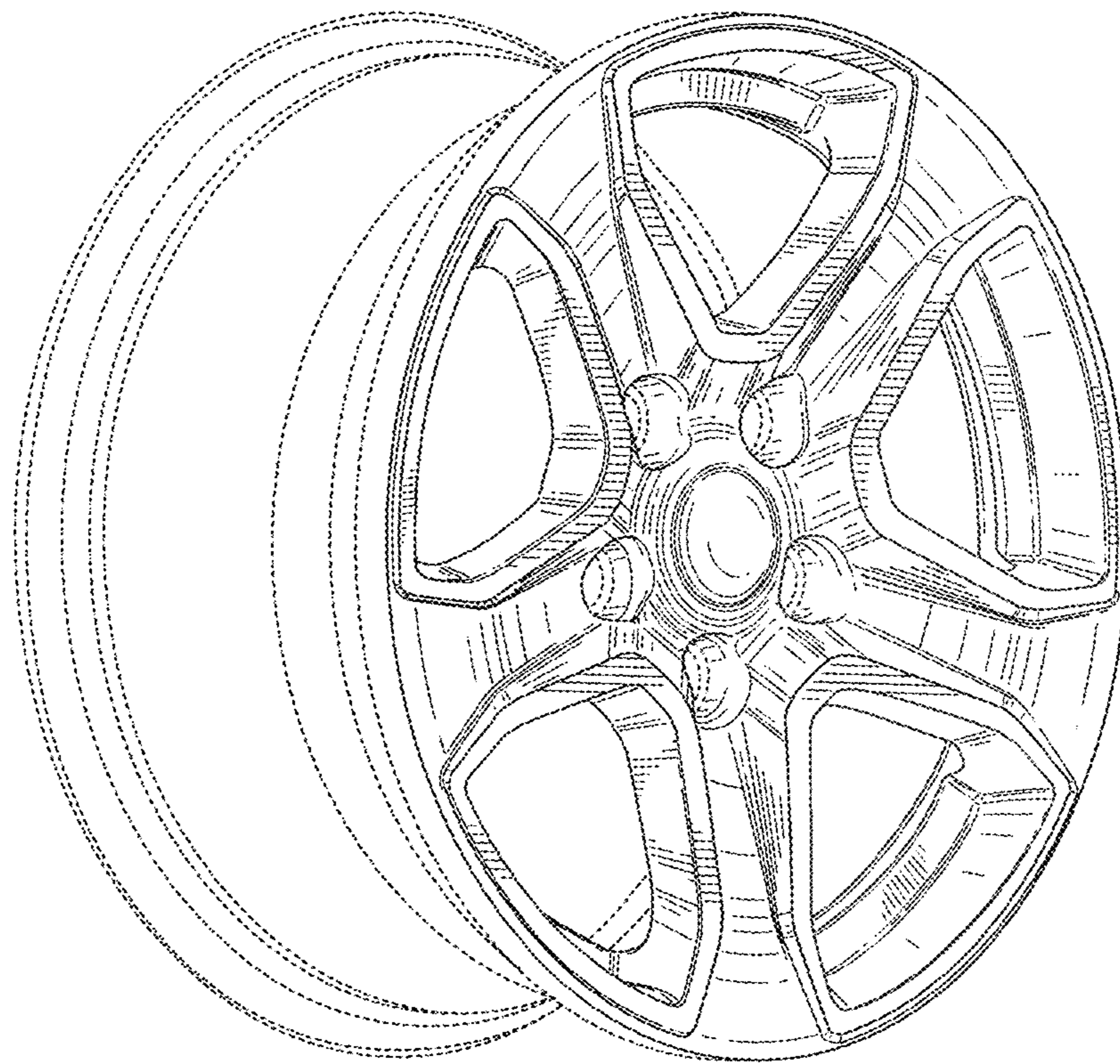


FIG. 3