



US00D792304S

(12) **United States Design Patent**  
**Pugh et al.**

(10) **Patent No.:** **US D792,304 S**

(45) **Date of Patent:** **\*\* Jul. 18, 2017**

(54) **FOUR-LUG WHEEL RIM**

(71) Applicant: **INGERSOLL-RAND COMPANY**,  
Davidson, NC (US)

(72) Inventors: **Craig D. Pugh**, Evans, GA (US);  
**Sanjay Kopay**, Evans, GA (US); **Mark Adam Messick**, Evans, GA (US);  
**Michael Darryl English**, Augusta, GA (US); **Bryan D. Wilson**, Evans, GA (US)

(73) Assignee: **Ingersoll-Rand Company**, Davidson, NC (US)

(\*\*) Term: **15 Years**

(21) Appl. No.: **29/561,599**

(22) Filed: **Apr. 18, 2016**

(51) **LOC (10) Cl.** ..... **12-16**

(52) **U.S. Cl.**  
USPC ..... **D12/209**

(58) **Field of Classification Search**

USPC ..... D12/204–213  
CPC .... B60B 7/00; B60B 7/02; B60B 7/04; B60B 7/01; B60B 7/06; B60B 3/02; B60B 3/04; B60B 3/06; B60B 3/10; B60B 1/00; B60B 1/08; B60B 1/10; B60B 1/12  
See application file for complete search history.

(56) **References Cited**

**U.S. PATENT DOCUMENTS**

D495,649 S \* 9/2004 Schell ..... D12/209  
D499,061 S \* 11/2004 Echazabal ..... D12/209

D625,238 S \* 10/2010 Zhao ..... D12/209  
D709,426 S \* 7/2014 Kong ..... D12/209  
D711,304 S \* 8/2014 Chung ..... D12/209  
D712,333 S \* 9/2014 Chung ..... D12/211  
D728,439 S \* 5/2015 Hashimoto ..... D12/204  
D742,293 S \* 11/2015 Chung ..... D12/211  
D747,253 S \* 1/2016 Chung ..... D12/211  
D763,160 S \* 8/2016 Hashimoto ..... D12/209

\* cited by examiner

*Primary Examiner* — Stacia Cadmus

(74) *Attorney, Agent, or Firm* — Sunstone IP

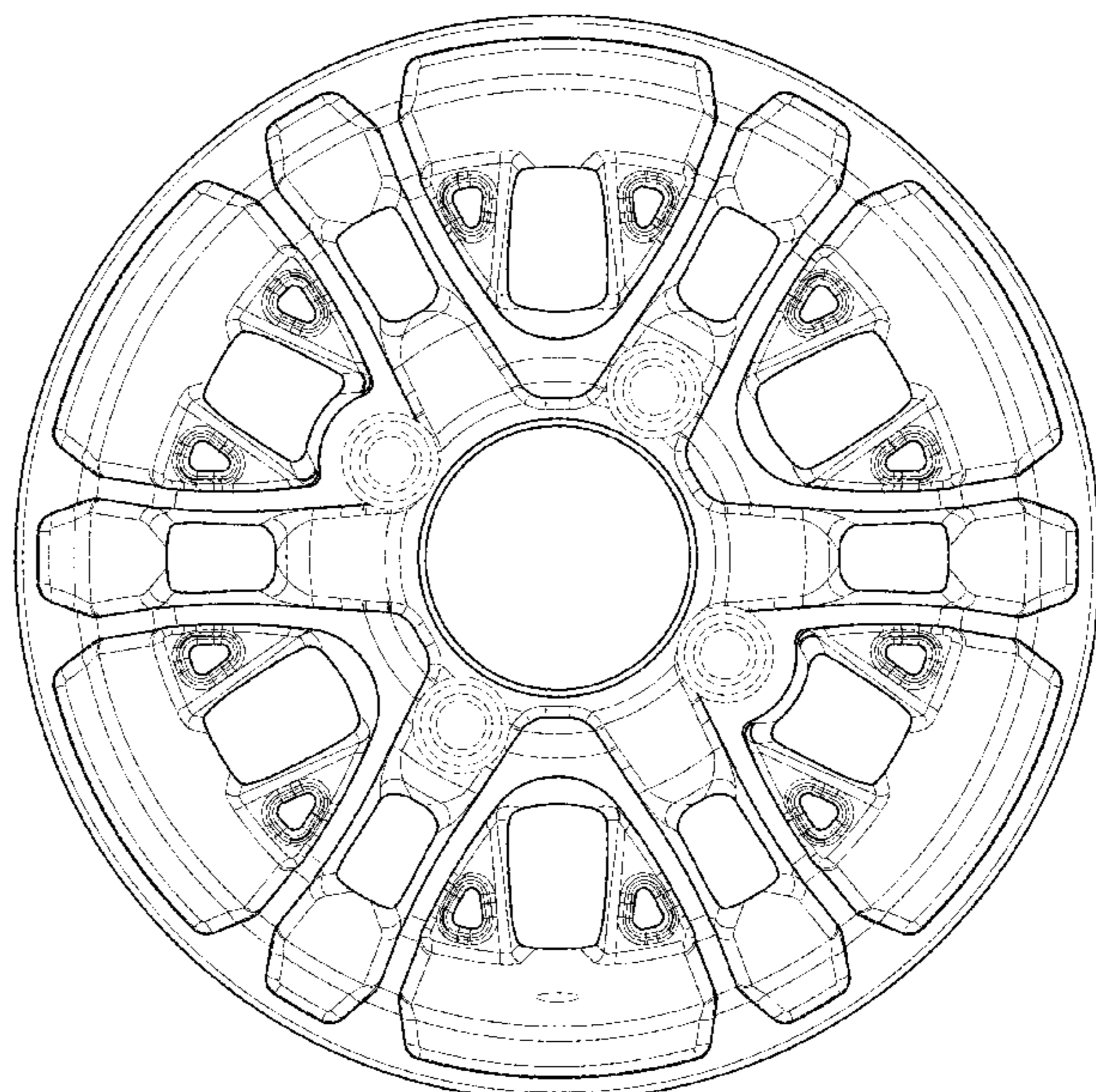
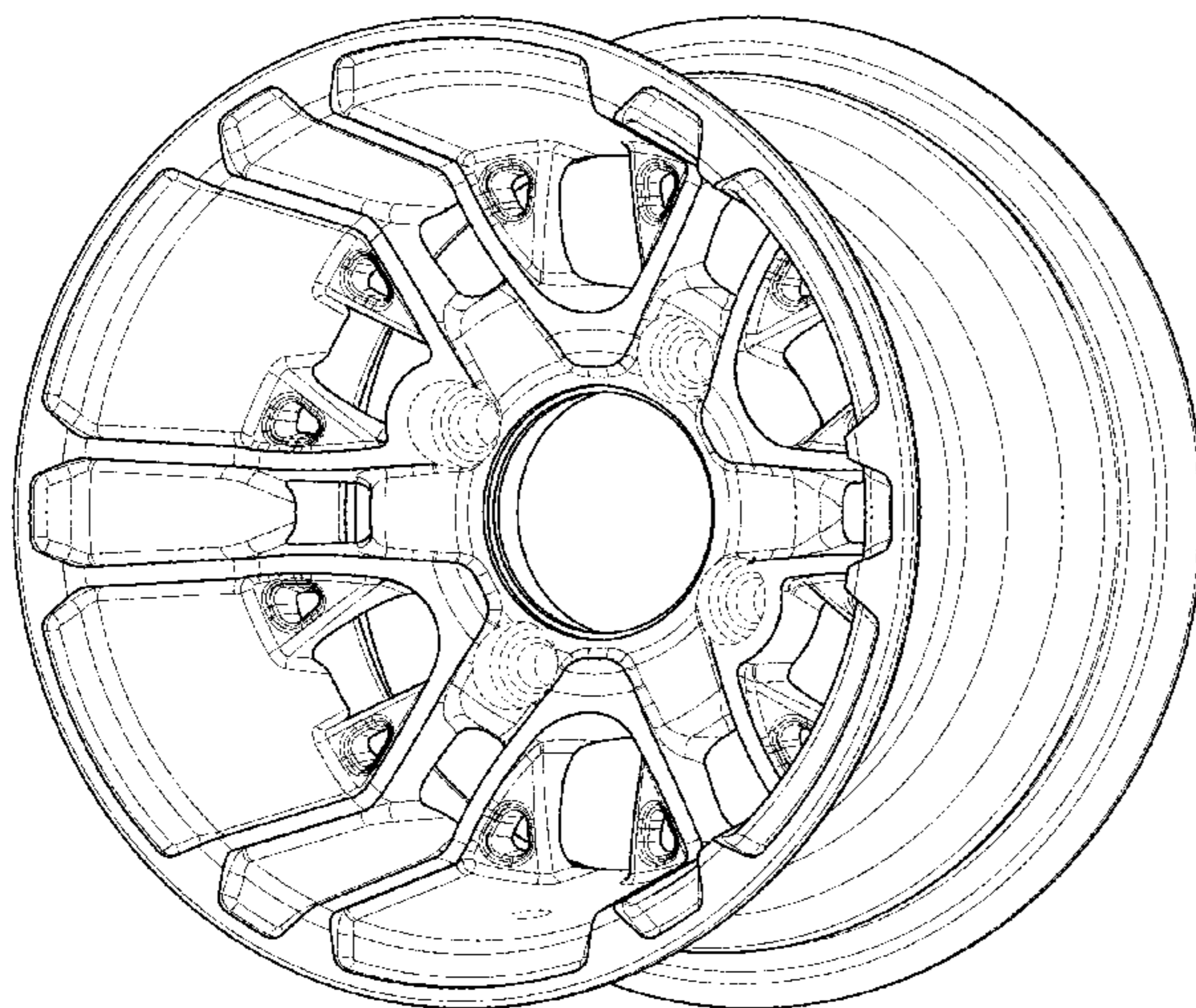
(57) **CLAIM**

The ornamental design for a four-lug wheel rim, as shown and described.

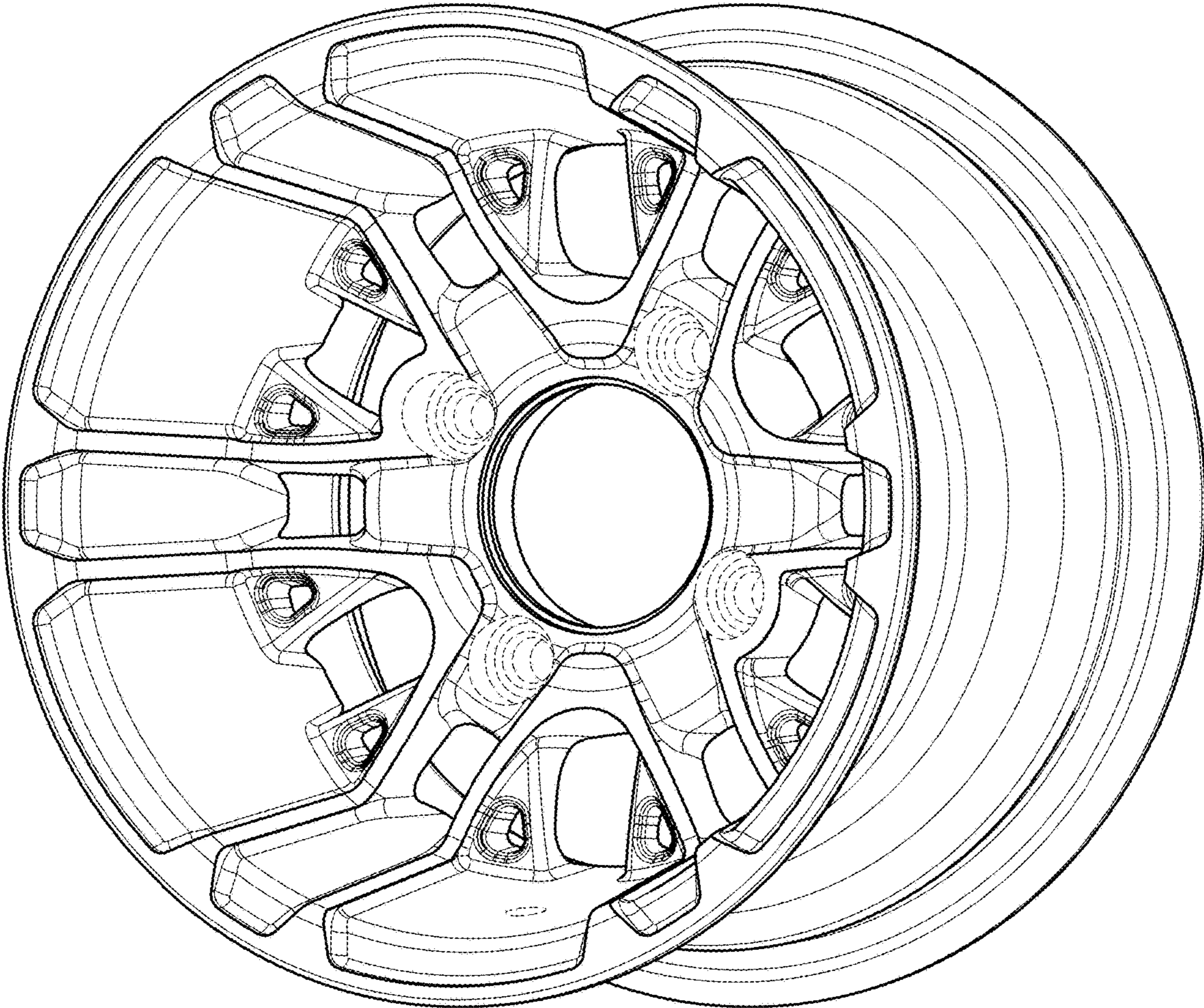
**DESCRIPTION**

FIG. 1 is a front perspective view of a four-lug wheel rim showing the new design;  
FIG. 2 is a back perspective view thereof;  
FIG. 3 is a front elevational view thereof;  
FIG. 4 is a back elevational view thereof  
FIG. 5 is a right side elevational view thereof;  
FIG. 6 is a left side elevational view thereof;  
FIG. 7 is a top plan view thereof; and,  
FIG. 8 is a bottom plan view thereof.  
In the drawings, the broken lines depict environmental subject matter only and form no part of the claimed design.

**1 Claim, 8 Drawing Sheets**







**FIG. 1**

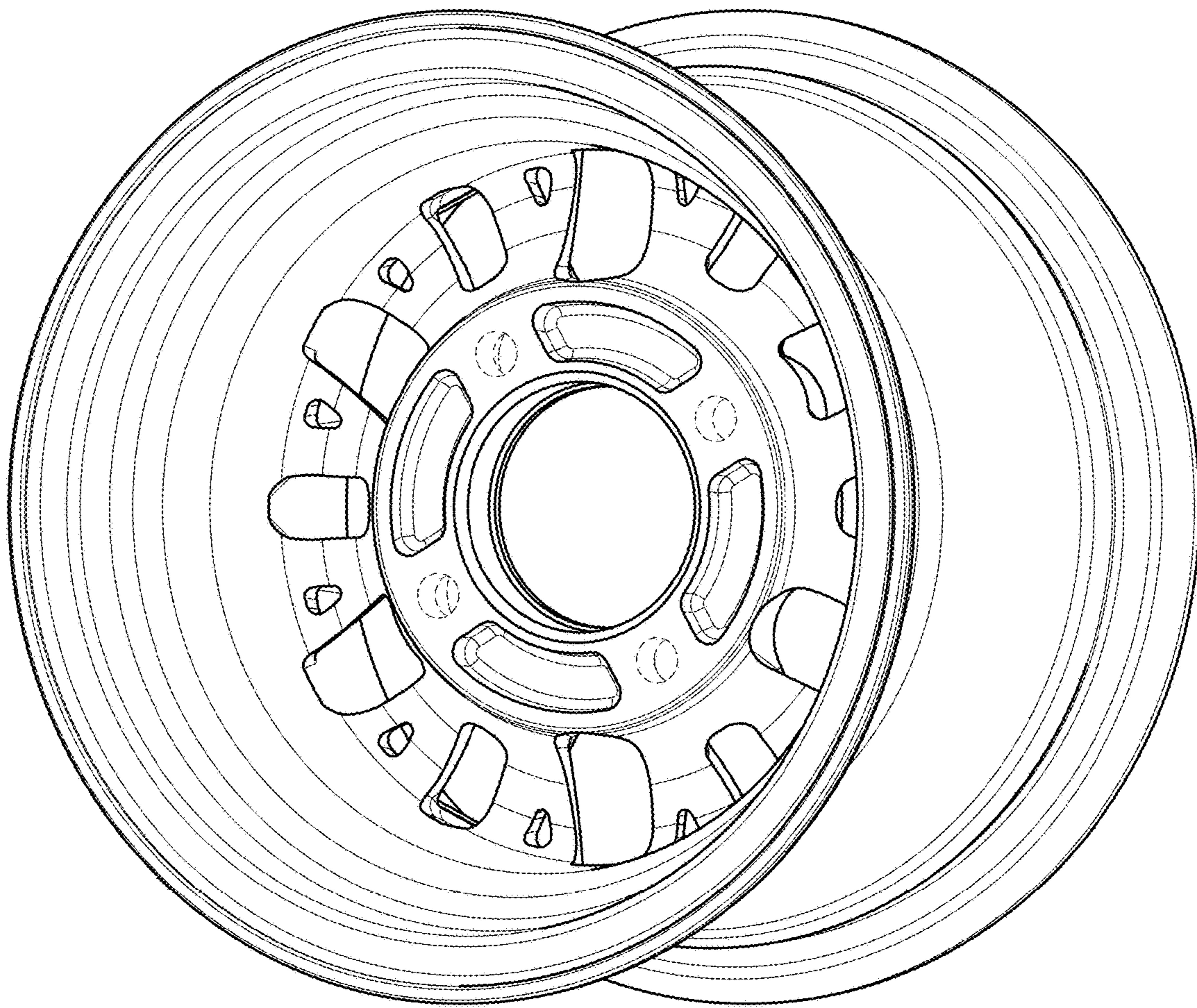


FIG. 2



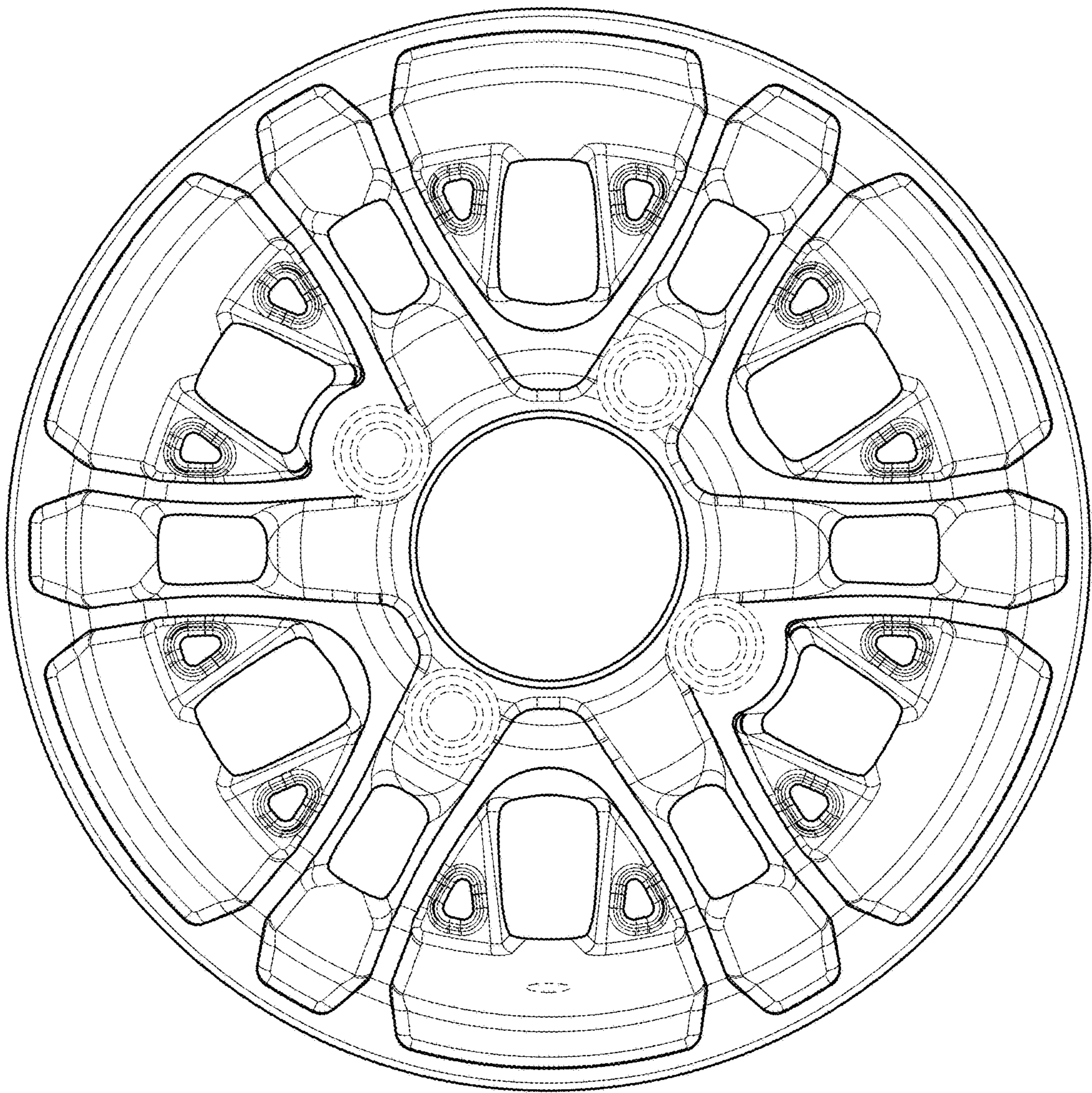


FIG. 3

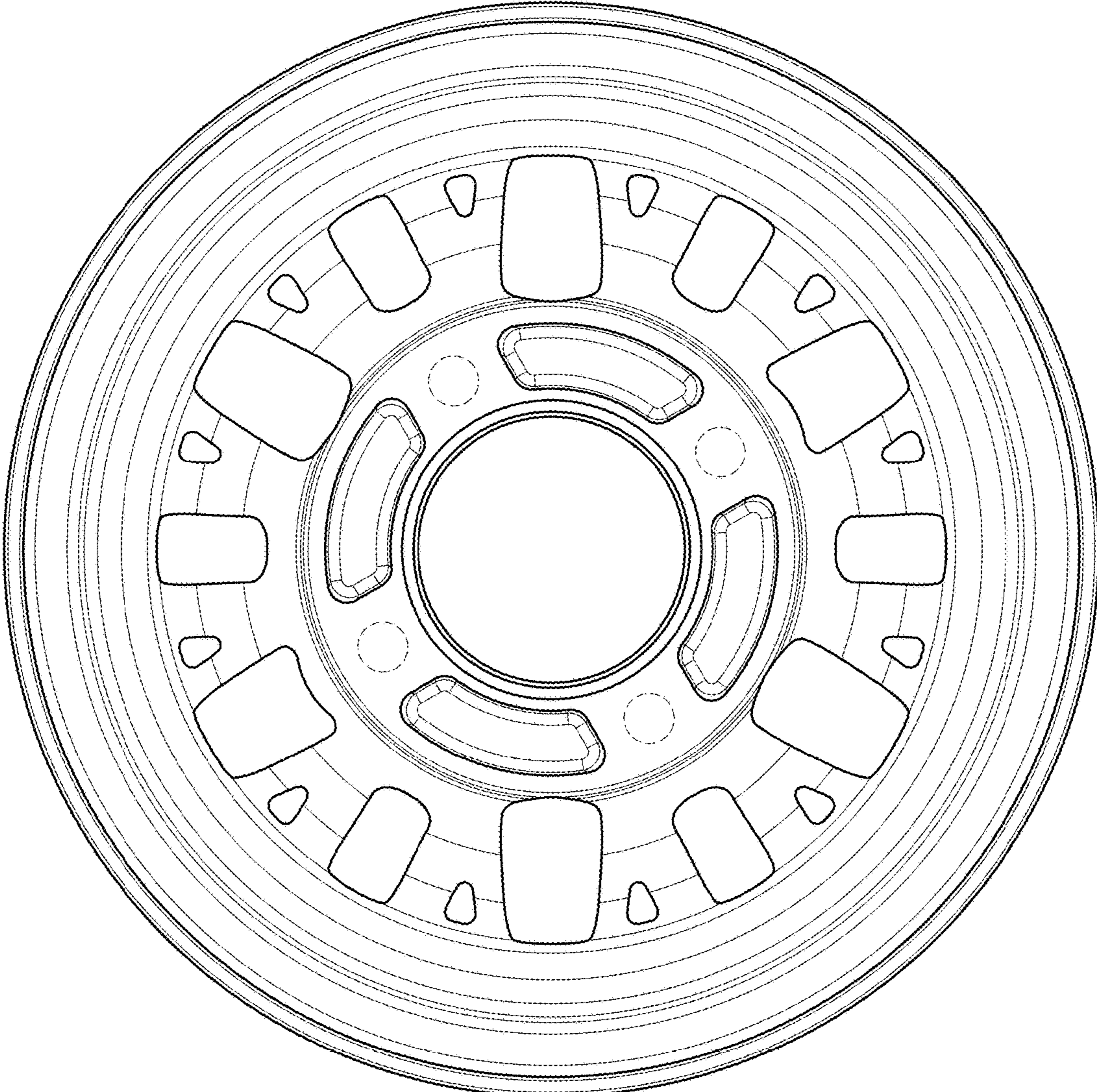
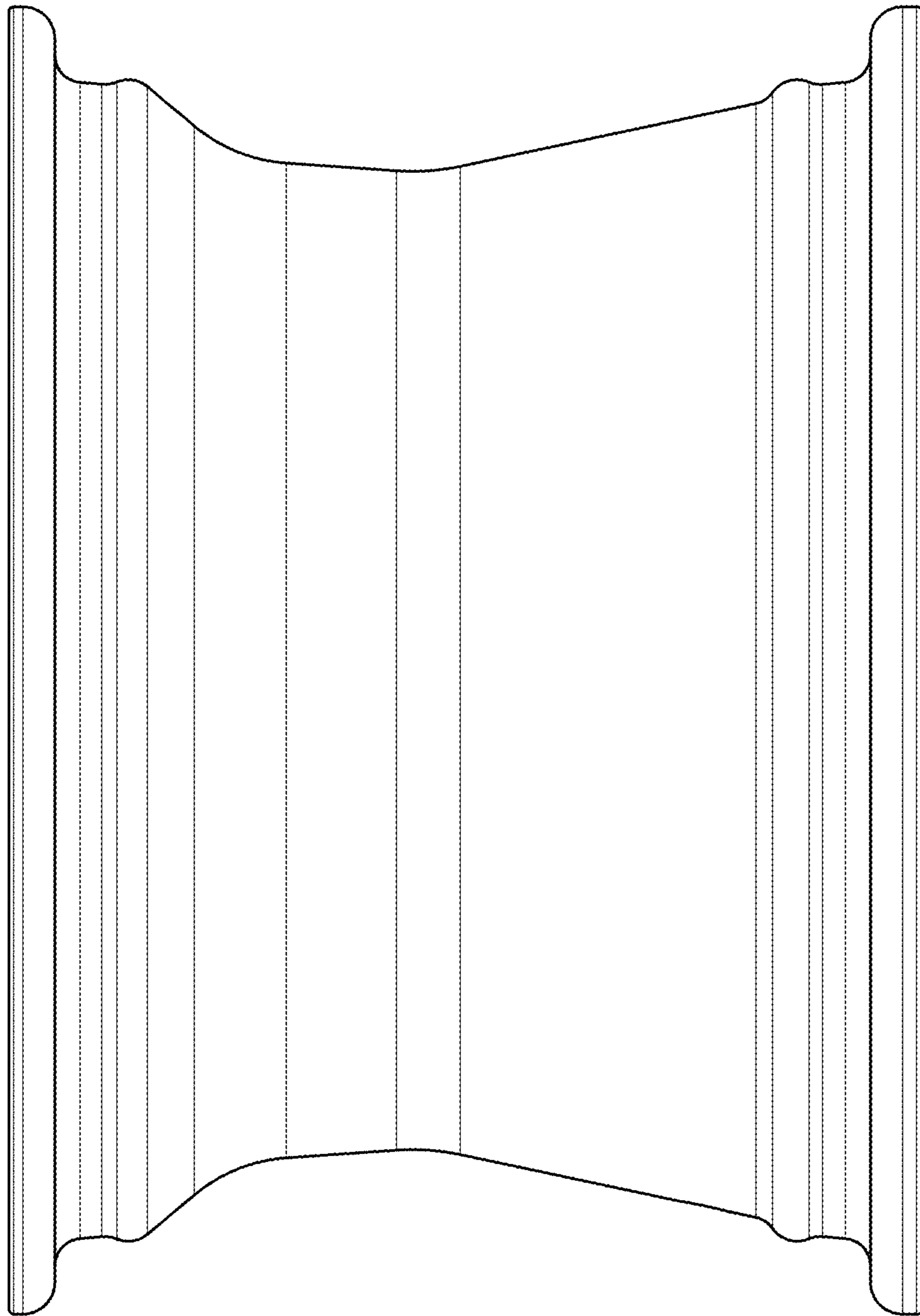
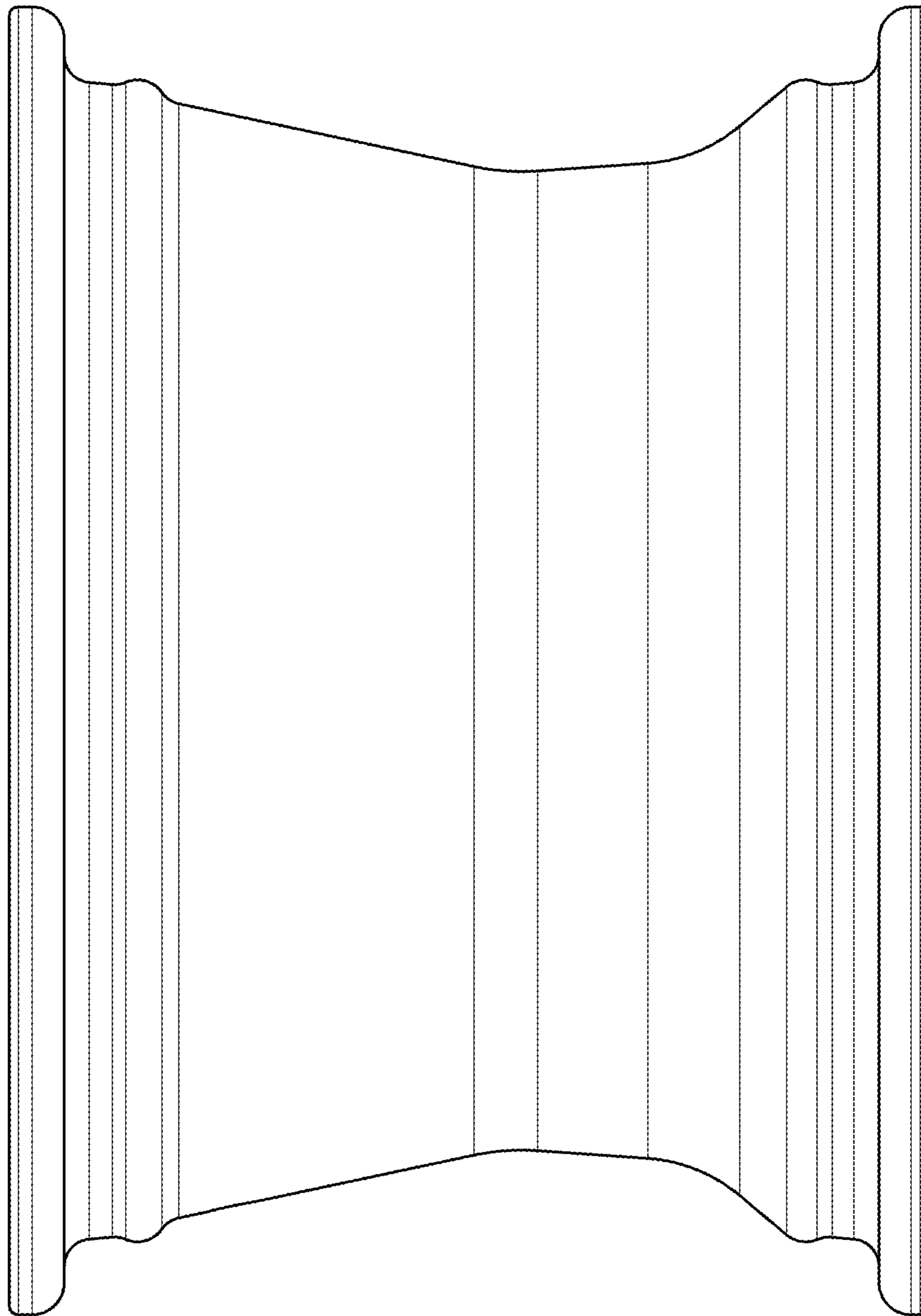


FIG. 4

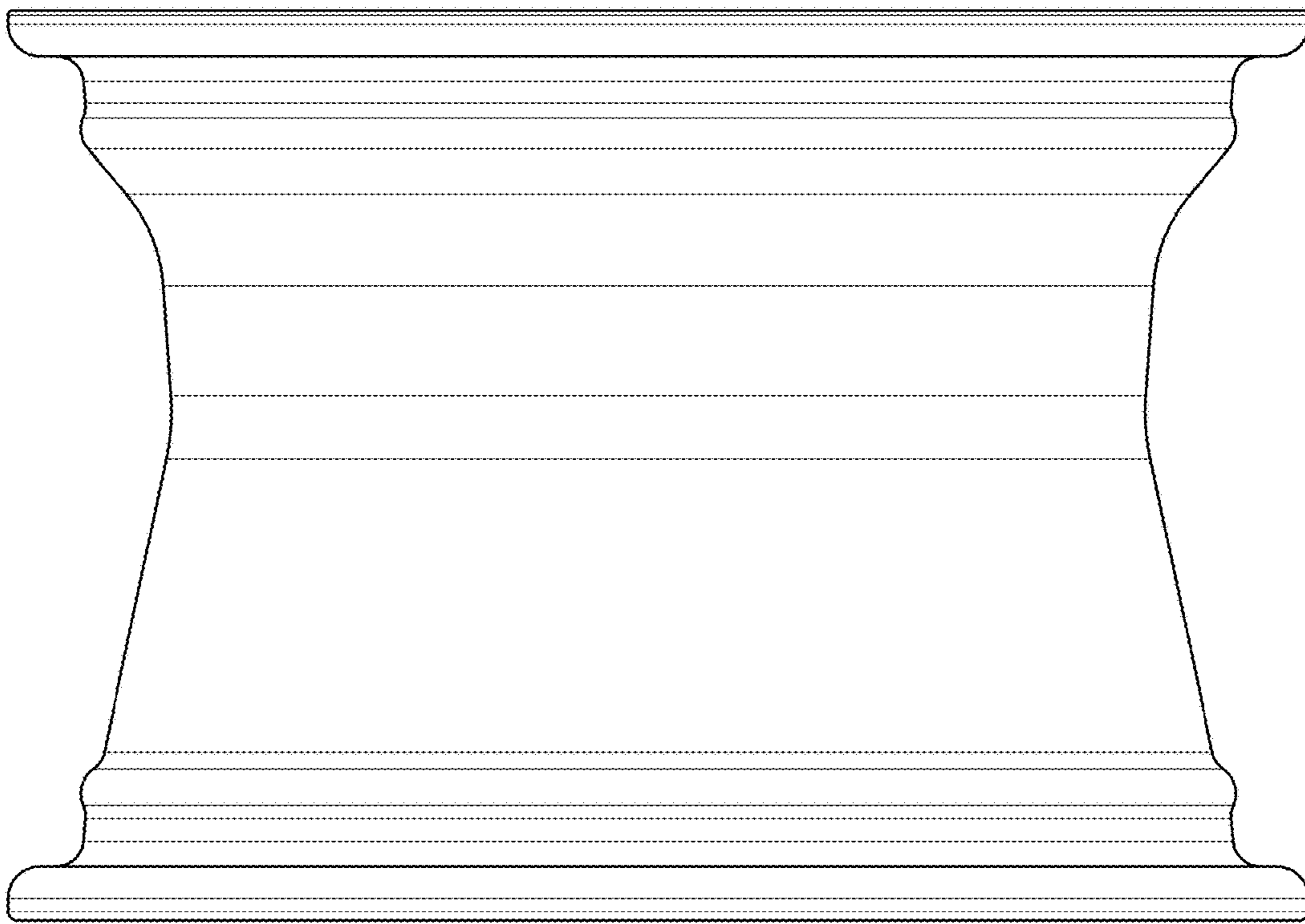




**FIG. 5**

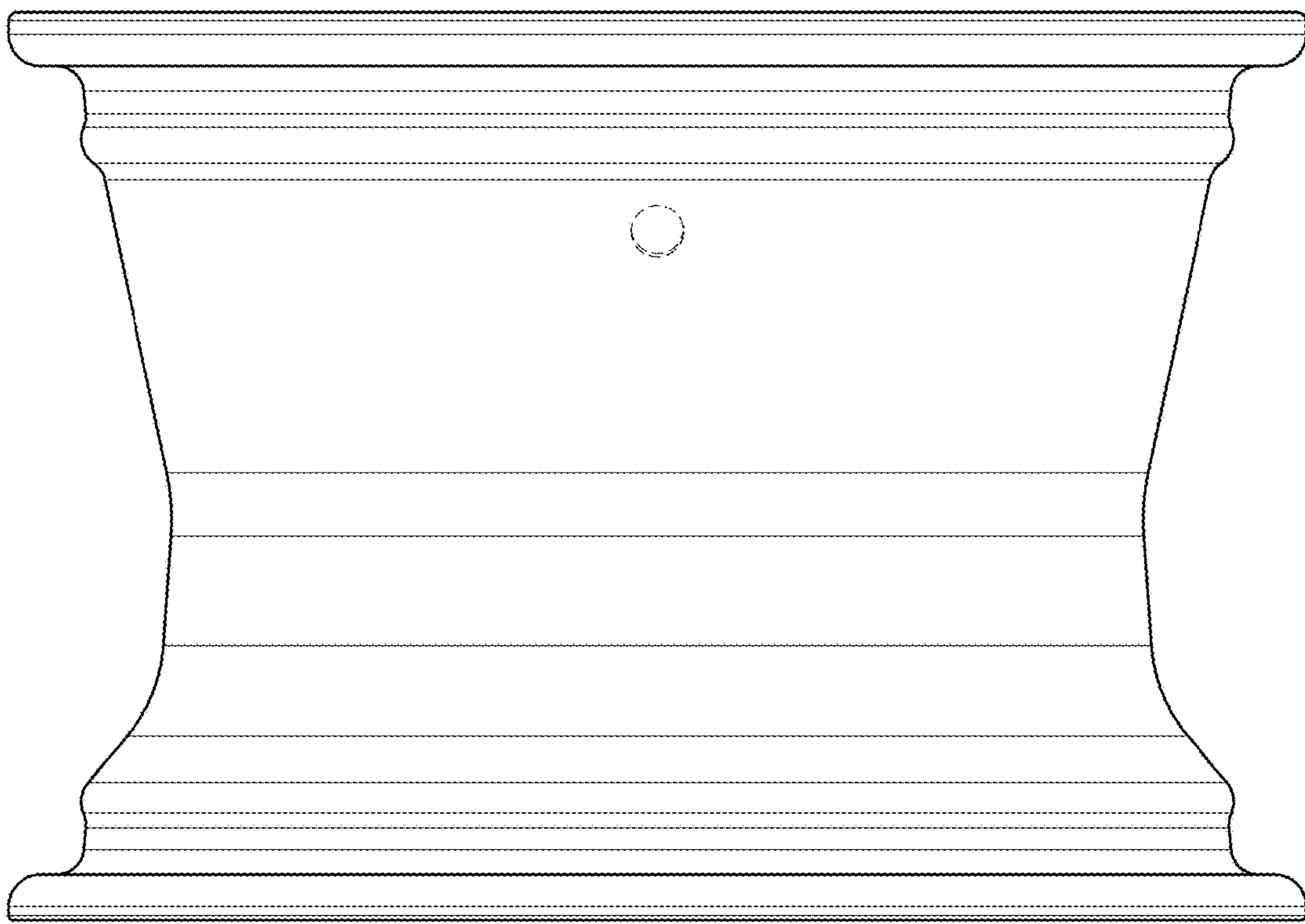


**FIG. 6**



**FIG. 7**





**FIG. 8**