



US00D792303S

(12) **United States Design Patent**
Chung

(10) **Patent No.:** **US D792,303 S**

(45) **Date of Patent:** **** Jul. 18, 2017**

(54) **AUTOMOTIVE WHEEL**

(71) Applicant: **Suny Chung**, Anaheim, CA (US)

(72) Inventor: **Suny Chung**, Anaheim, CA (US)

(**) Term: **15 Years**

(21) Appl. No.: **29/540,531**

(22) Filed: **Sep. 25, 2015**

(51) **LOC (10) Cl.** **12-16**

(52) **U.S. Cl.**
USPC **D12/209**

(58) **Field of Classification Search**
USPC D12/204–213
CPC B60B 7/00; B60B 7/02; B60B 7/04; B60B 7/01; B60B 7/06; B60B 3/02; B60B 3/04; B60B 3/06; B60B 3/10; B60B 1/00; B60B 1/08; B60B 1/10; B60B 1/12
See application file for complete search history.

(56) **References Cited**

U.S. PATENT DOCUMENTS

- D417,646 S * 12/1999 Baumgartner D12/211
- D427,558 S * 7/2000 Neeper D12/211

- D539,724 S * 4/2007 Muzzarelli D12/211
- D606,921 S * 12/2009 Thorsten D12/211
- D673,096 S * 12/2012 Platto D12/209
- D675,143 S * 1/2013 Gebert D12/209
- D689,421 S * 9/2013 Wachter D12/211
- D715,720 S * 10/2014 Ender D12/211
- D734,704 S * 7/2015 Juergens D12/211
- D747,254 S * 1/2016 Liu D12/211
- D748,030 S * 1/2016 Heizmann D12/209
- D748,558 S * 2/2016 Hans D12/211
- D749,483 S * 2/2016 Hodges D12/209
- D750,543 S * 3/2016 Behmer D12/209

* cited by examiner

Primary Examiner — Stacia Cadmus

(57) **CLAIM**

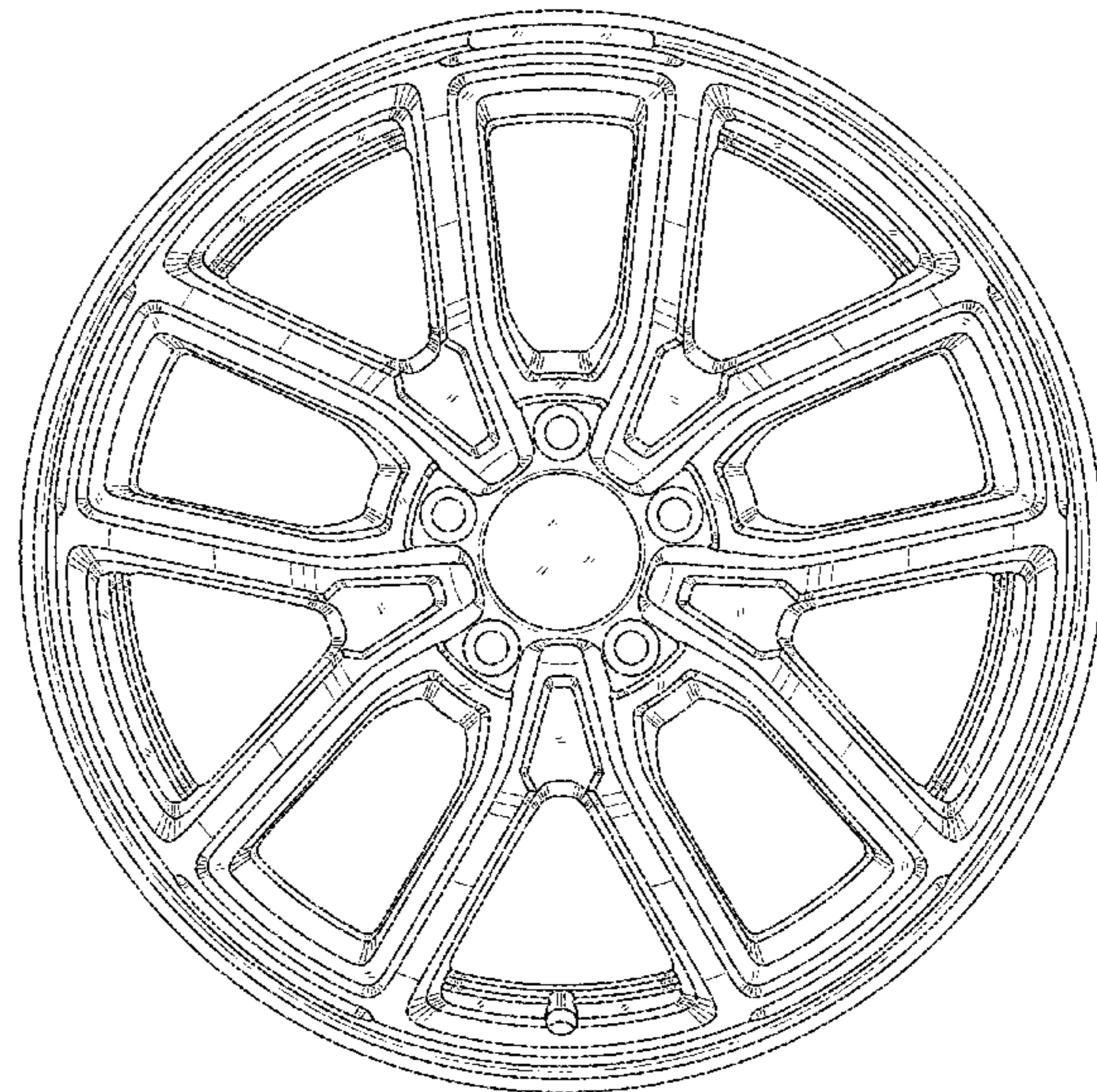
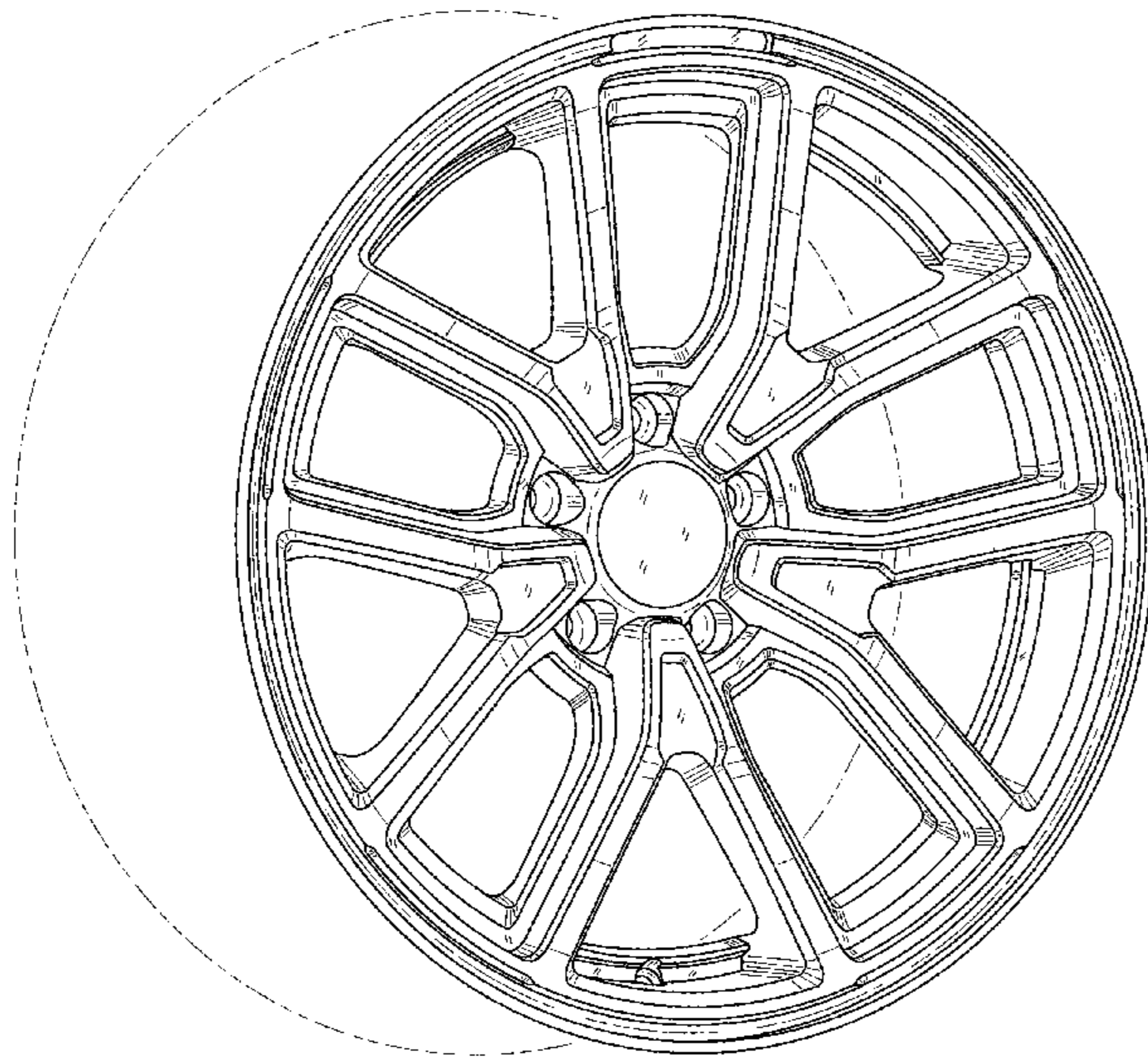
The ornamental design for an automotive wheel, as shown and described.

DESCRIPTION

FIG. 1 is a perspective view of an automotive wheel, showing my new design; and, FIG. 2 is a front view thereof.

The broken line showing of the rear portion of the wheel is included for the purpose of illustrating environment and forms no part of the claimed design.

1 Claim, 2 Drawing Sheets



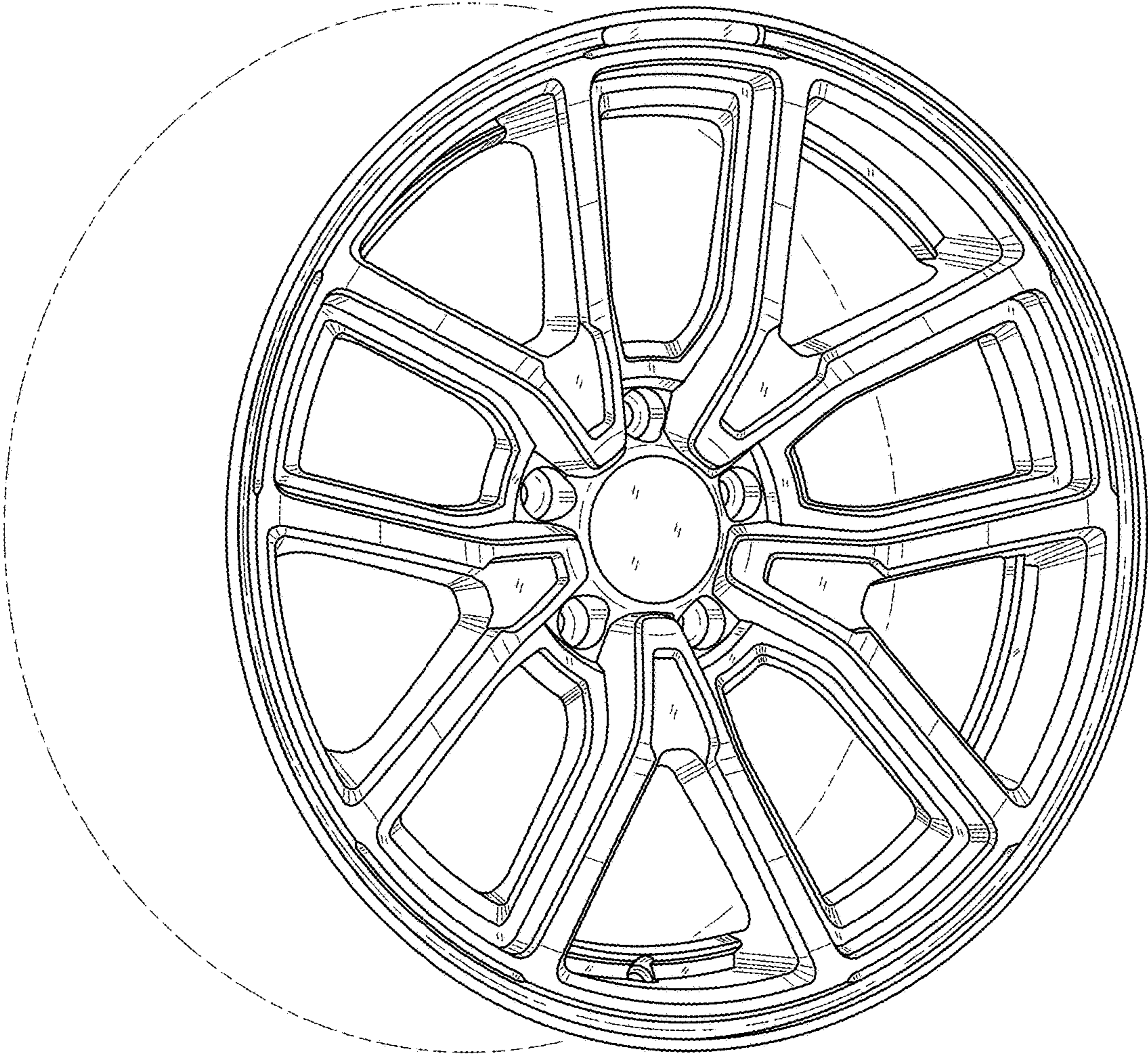


FIG. 1

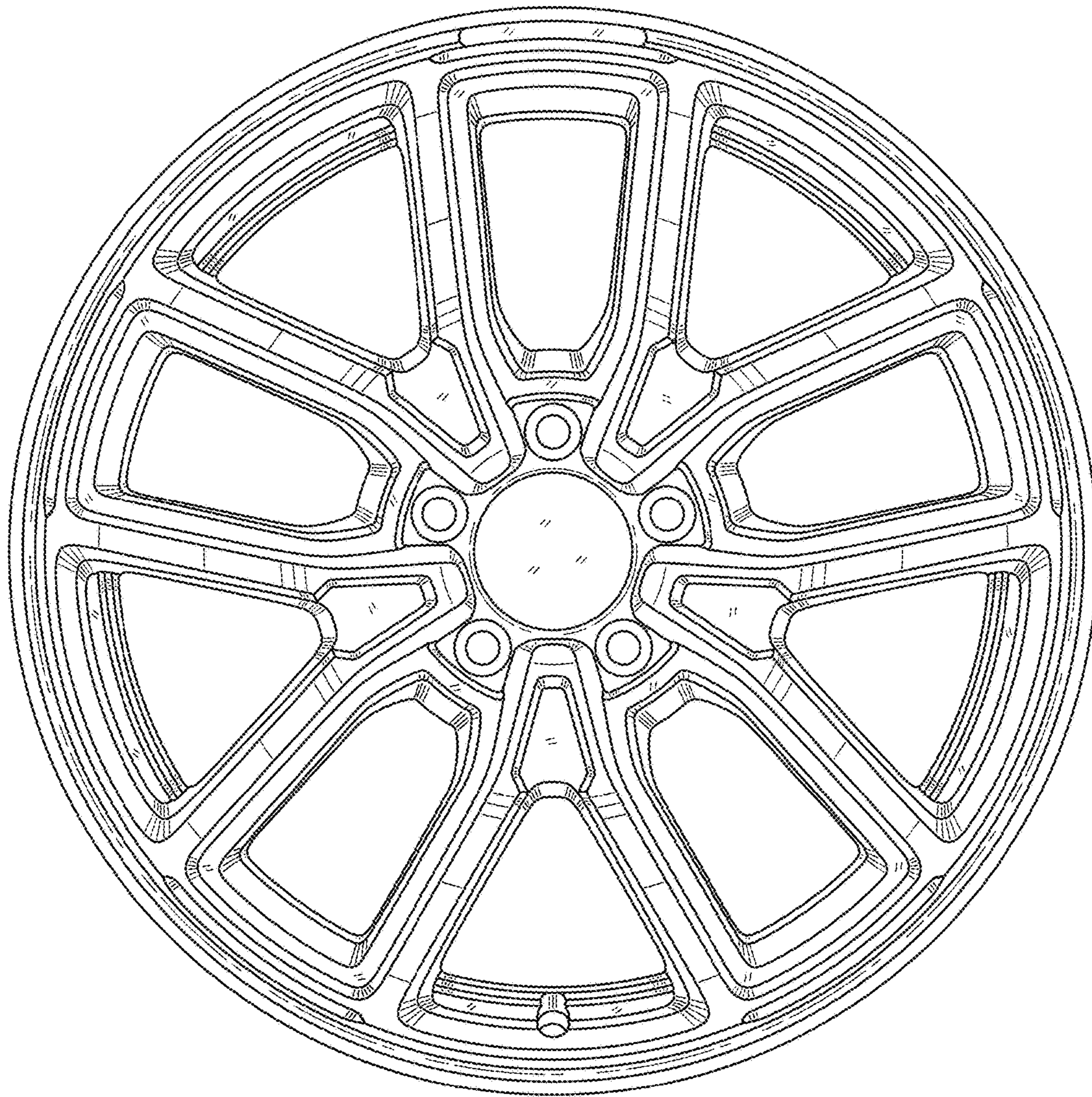


FIG. 2