



US00D792301S

(12) **United States Design Patent**  
**Zhu et al.**

(10) **Patent No.:** **US D792,301 S**  
(45) **Date of Patent:** **\*\* Jul. 18, 2017**

(54) **VIDEO CAMERA**  
(71) Applicant: **HangZhou Hikvision Digital Technology Co., Ltd.**, Binjiang District, Hangzhou (CN)  
(72) Inventors: **Weike Zhu**, Hangzhou (CN); **Chenfu Luo**, Hangzhou (CN)  
(73) Assignee: **HANGZHOU EZVIZ NETWORK CO., LTD.**, Hangzhou (CN)

D733,781 S \* 7/2015 Chen ..... D16/202  
D741,932 S \* 10/2015 Huang ..... D16/202  
D746,350 S \* 12/2015 Li ..... D16/203  
D747,383 S \* 1/2016 Li ..... D16/203  
D753,204 S \* 4/2016 Luo ..... D16/202  
D755,379 S \* 5/2016 Amano ..... D24/138  
D762,853 S \* 8/2016 Amano ..... D24/138  
2012/0209064 A1 \* 8/2012 Numata ..... A61B 1/05  
600/109  
2013/0079594 A1 \* 3/2013 Motoki ..... A61B 1/00039  
600/109  
2013/0169776 A1 \* 7/2013 Doi ..... H04N 7/18  
348/68

(\*\*) Term: **15 Years**

\* cited by examiner

(21) Appl. No.: **29/550,980**

*Primary Examiner* — Manpreet Matharu

(22) Filed: **Jan. 8, 2016**

*Assistant Examiner* — Yolanda Robinson

(30) **Foreign Application Priority Data**

(74) *Attorney, Agent, or Firm* — Koppel, Patrick, Heybl & Philpott

Sep. 22, 2015 (CN) ..... 2015 3 0368709

(51) **LOC (10) Cl.** ..... **16-01**

(52) **U.S. Cl.**  
USPC ..... **D12/202**

(58) **Field of Classification Search**  
USPC ..... D16/200, 202, 203, 204, 218, 219, 232;  
396/155, 198; 348/207, 99, 333.06  
CPC ..... G03B 17/02; G03B 15/05; G03B 15/03;  
G03B 17/06; H04N 5/2251  
See application file for complete search history.

(57) **CLAIM**

The ornamental design for a video camera, as shown and described.

(56) **References Cited**

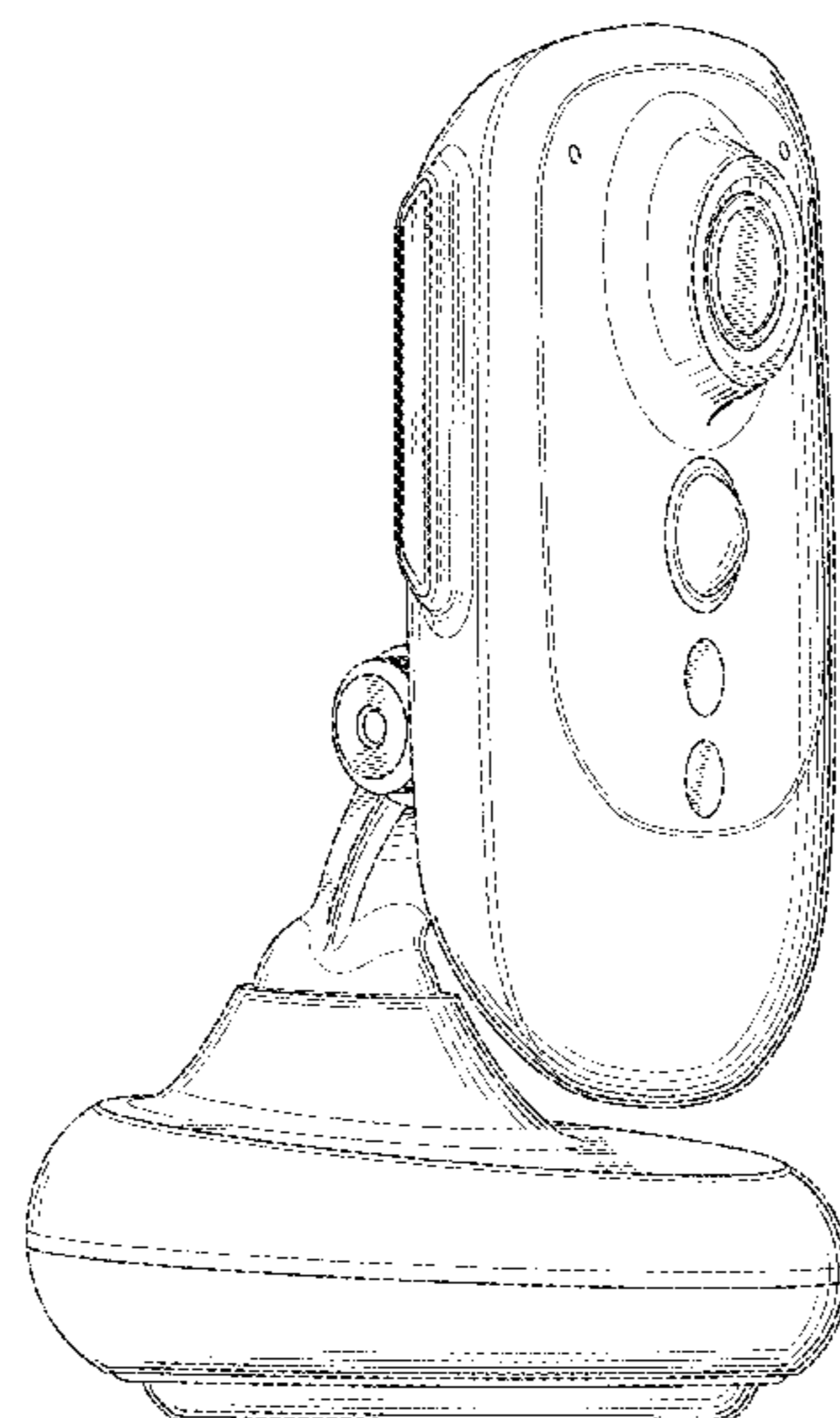
U.S. PATENT DOCUMENTS

D671,213 S \* 11/2012 Funakoshi ..... D24/138  
D671,214 S \* 11/2012 Funakoshi ..... D24/138  
D680,151 S \* 4/2013 Katori ..... D16/242  
D693,868 S \* 11/2013 Ying ..... D16/203  
D697,119 S \* 1/2014 Park ..... D16/202  
8,801,605 B2 \* 8/2014 Inada ..... A61B 1/00039  
600/139  
8,821,379 B2 \* 9/2014 Motoki ..... A61B 1/00039  
600/109  
D721,754 S \* 1/2015 Chen ..... D16/202

**DESCRIPTION**

FIG. 1 is a perspective view of a video camera according to the present disclosure.  
FIG. 2 is a front elevation view of the video camera shown in FIG. 1.  
FIG. 3 is a rear elevation view of the video camera shown in FIG. 1.  
FIG. 4 is a left elevation view of the video camera shown in FIG. 1.  
FIG. 5 is a right elevation view of the video camera shown in FIG. 1.  
FIG. 6 is a top view of the video camera shown in FIG. 1; and,  
FIG. 7 is a bottom view of the video camera shown in FIG. 1.

**1 Claim, 7 Drawing Sheets**



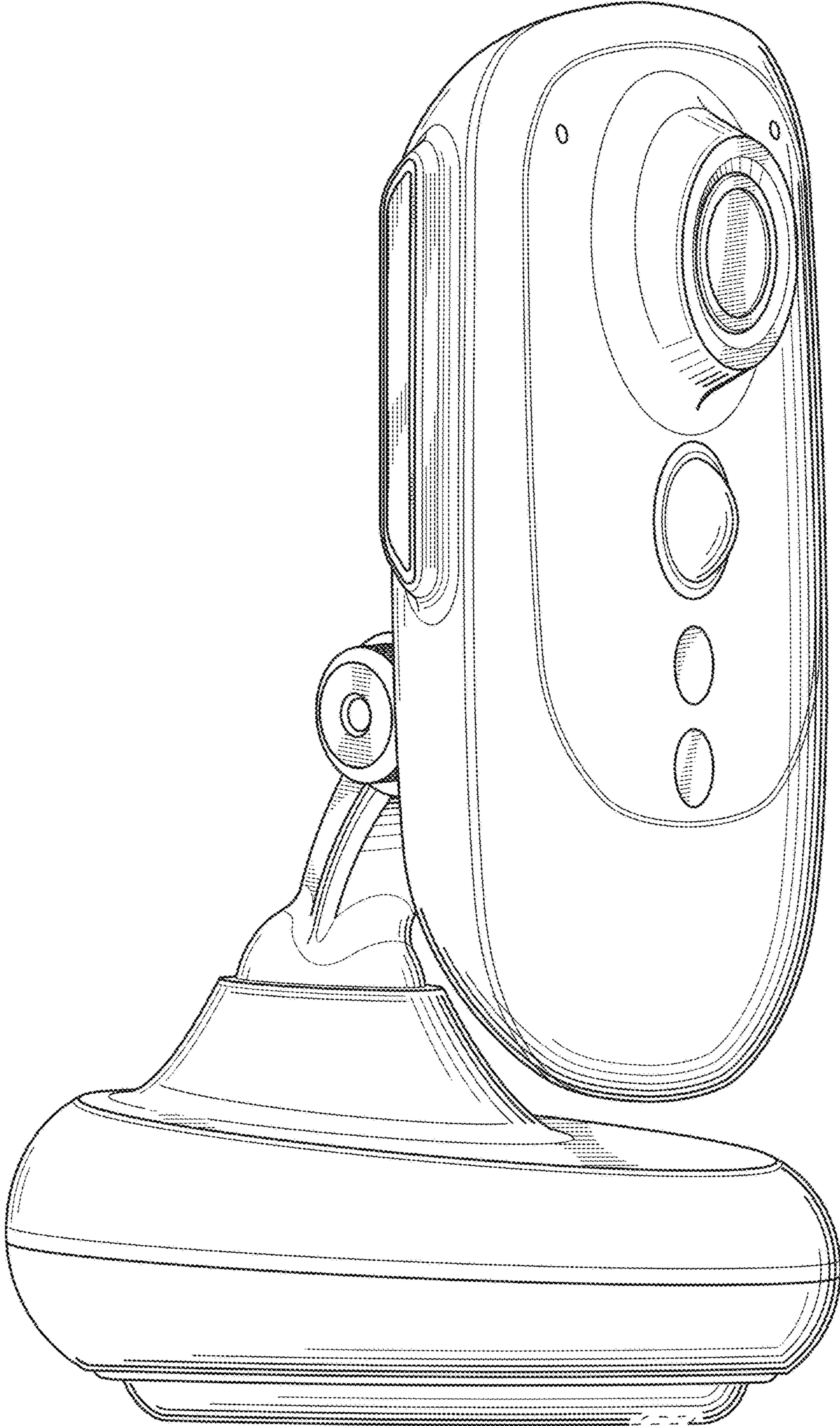


FIG. 1

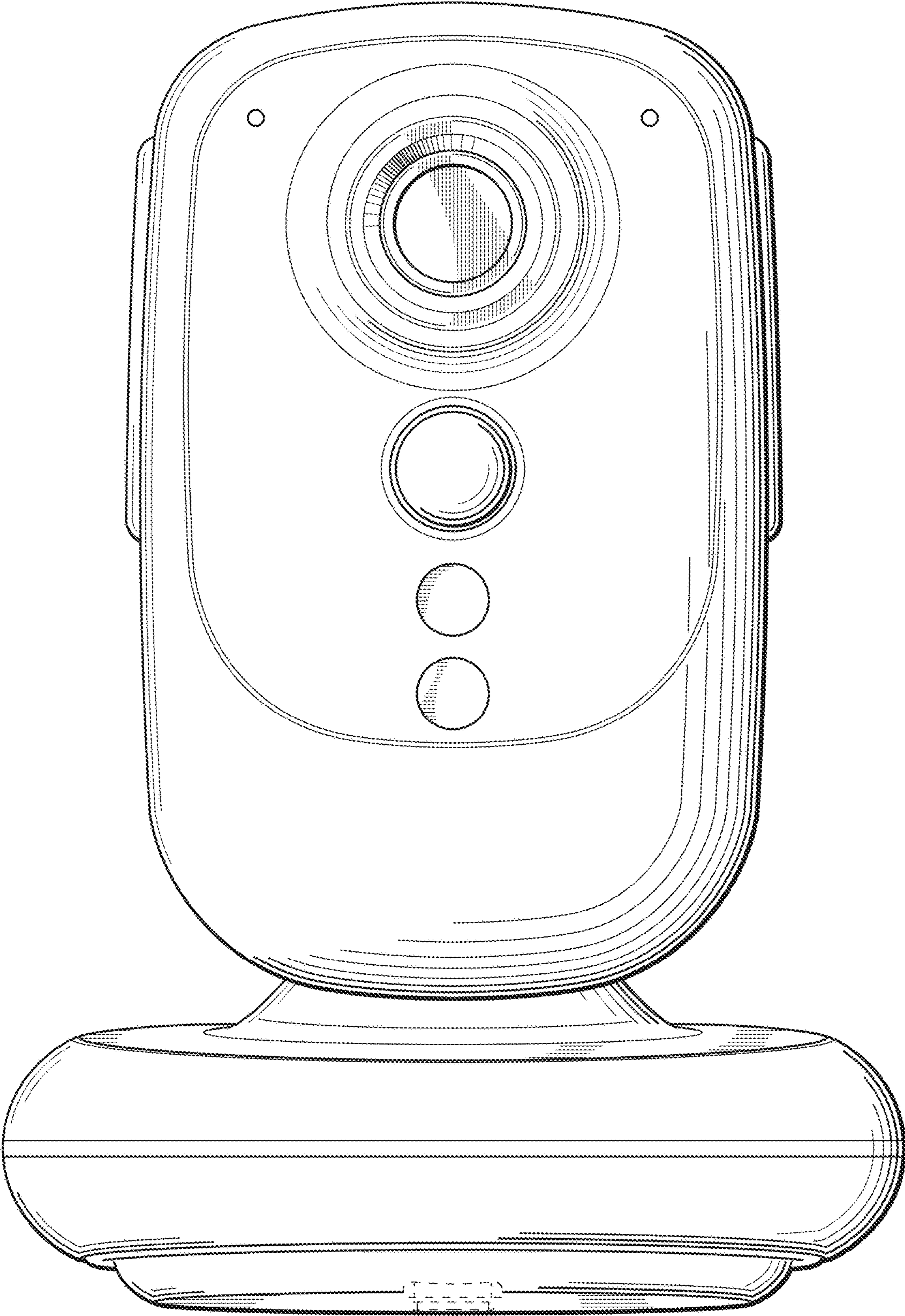


FIG. 2

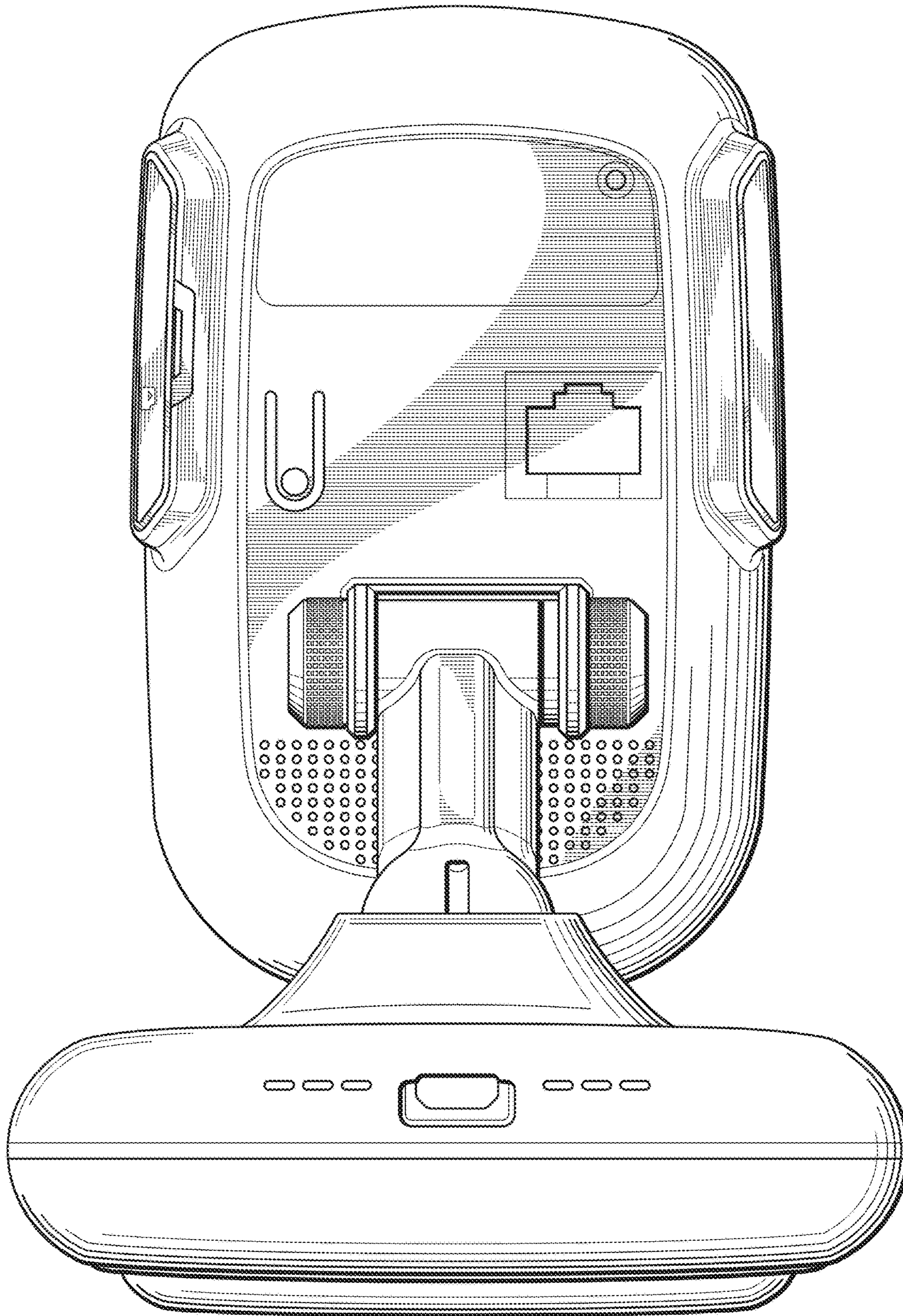
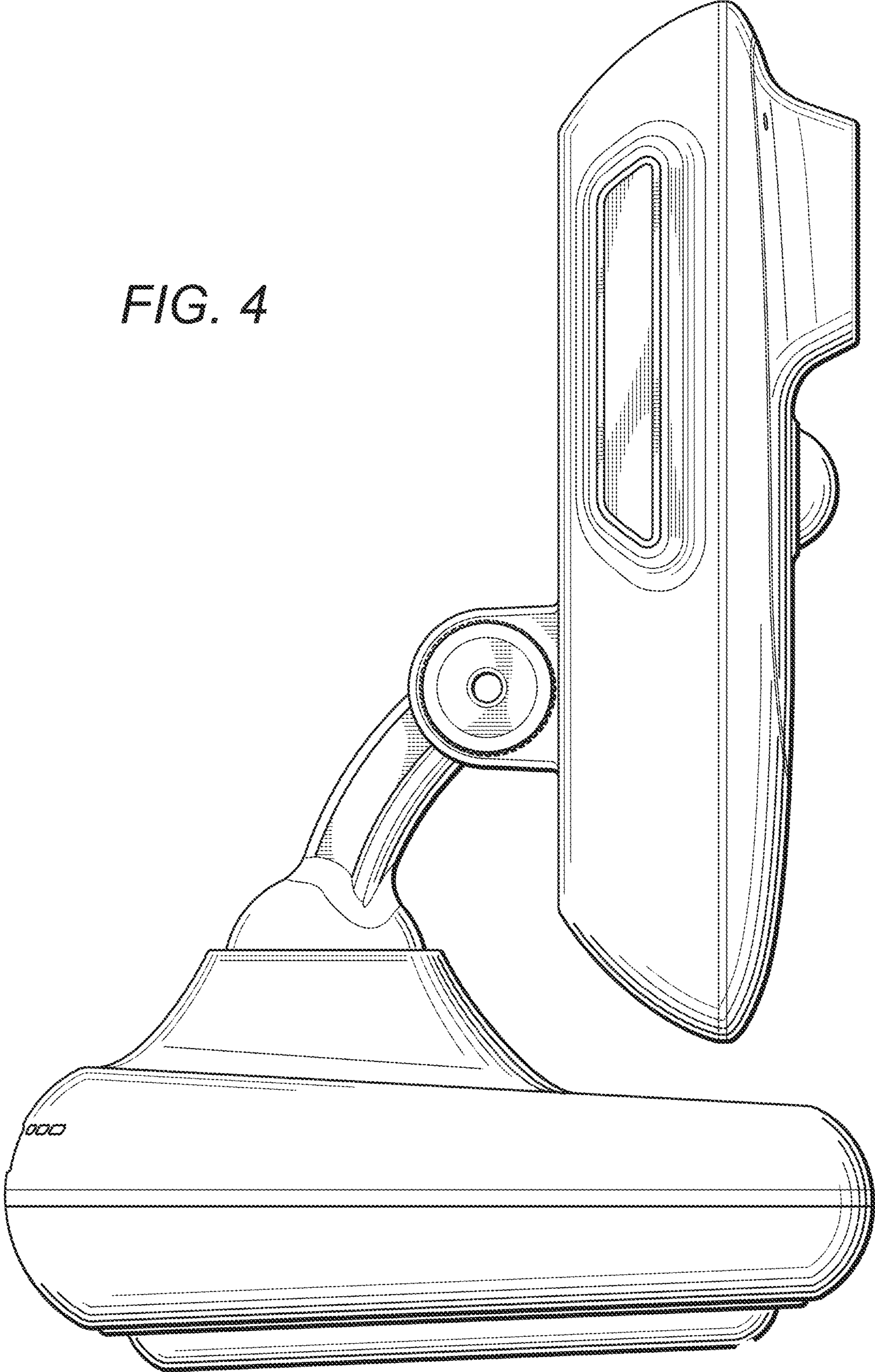
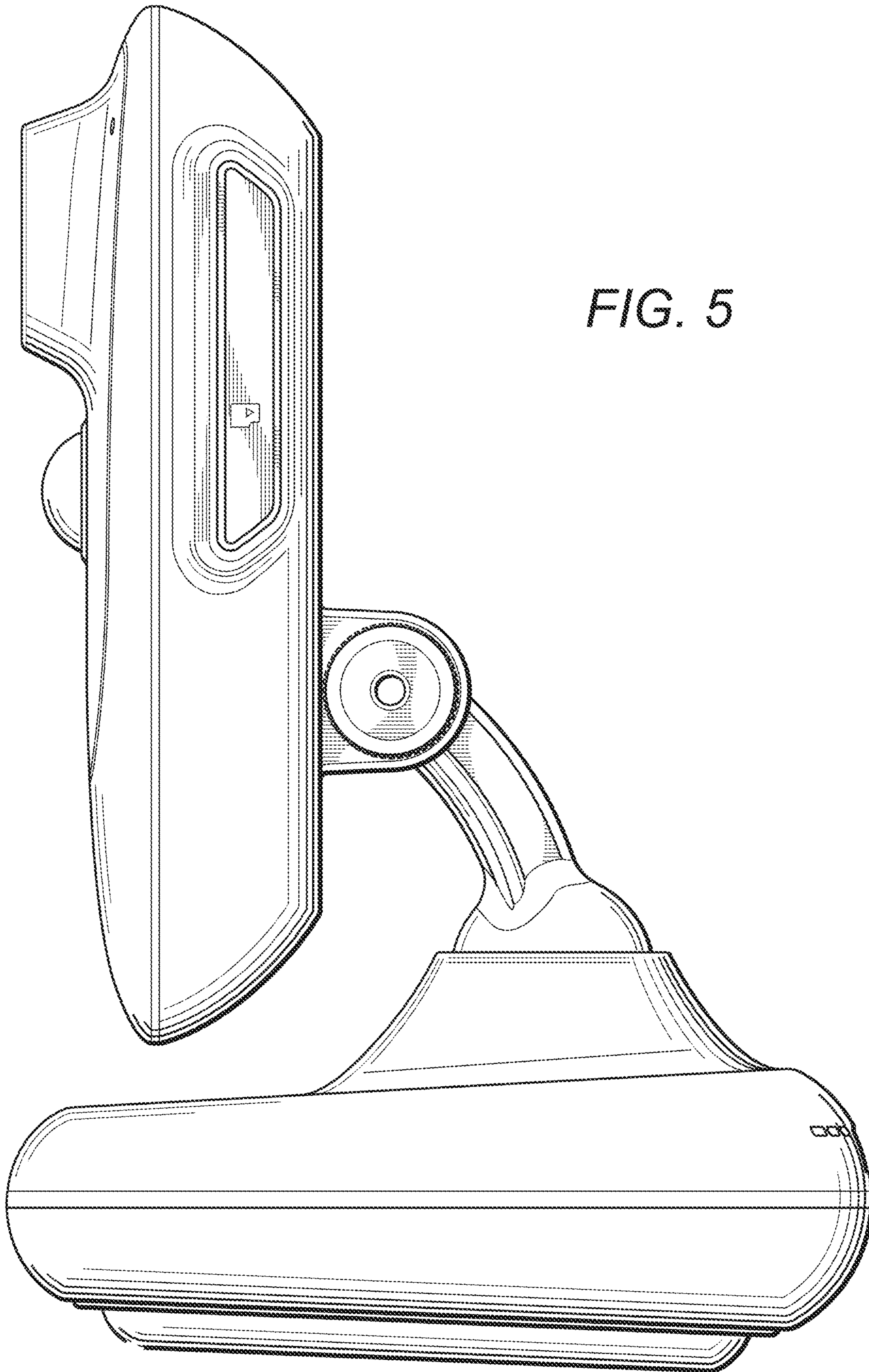


FIG. 3

FIG. 4





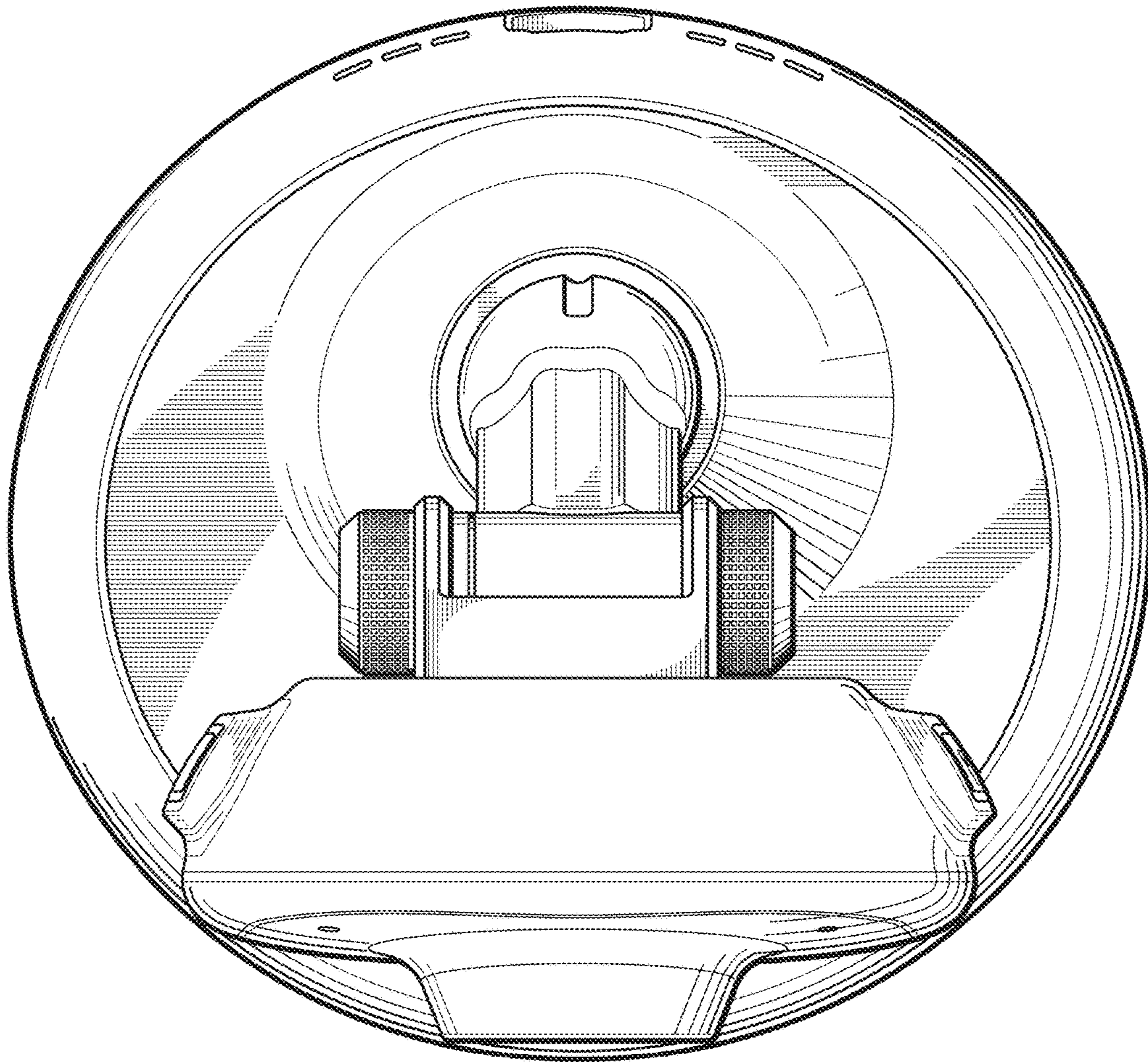


FIG. 6

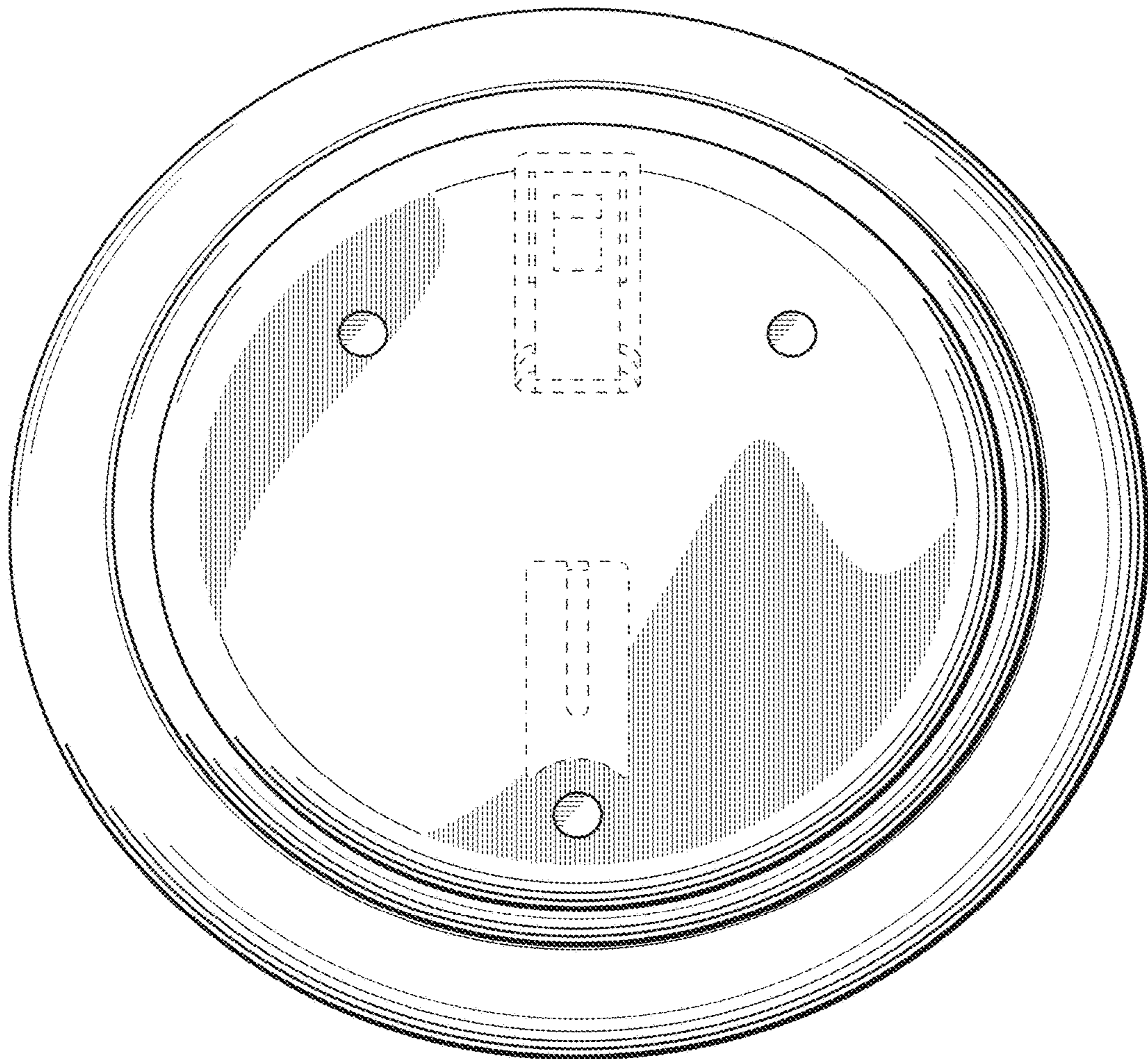


FIG. 7