



US00D792292S

(12) **United States Design Patent**
Spencer et al.

(10) **Patent No.:** **US D792,292 S**
(45) **Date of Patent:** **** Jul. 18, 2017**

(54) **FRONT BUMPER**

- (71) Applicant: **Honda Motor Co., Ltd.**, Tokyo (JP)
- (72) Inventors: **Christopher Spencer**, Buena Park, CA (US); **Damon Schell**, Long Beach, CA (US); **Takashi Hamada**, Rancho Palos Verdes, CA (US); **Viet Nguyen**, Madison Heights, MI (US)
- (73) Assignee: **HONDA MOTOR CO., LTD.**, Tokyo (JP)
- (**) Term: **15 Years**

- (21) Appl. No.: **29/543,717**
- (22) Filed: **Oct. 27, 2015**
- (51) **LOC (10) Cl.** **12-08**
- (52) **U.S. Cl.**
USPC **D12/169**
- (58) **Field of Classification Search**
USPC D12/86-92, 163-172; 293/102-155;
296/35.2, 193.09, 193.1, 203.02
CPC B60R 19/02; B60R 19/023; B60R 19/18;
B60R 19/24; B60R 19/44; B60R 19/48;
(Continued)

(56) **References Cited**

U.S. PATENT DOCUMENTS

- D509,172 S * 9/2005 Minami D12/169
 - D651,540 S 1/2012 Okumoto et al.
 - D664,483 S * 7/2012 Platto D12/169
- (Continued)

FOREIGN PATENT DOCUMENTS

- JP D157374 S 11/2013
 - JP D1489309 S 2/2014
- (Continued)

OTHER PUBLICATIONS

“2016 Acura RDX gets nine-speed transmission.” activityvehicle.com. Feb. 19, 2015. Accessed Aug. 1, 2016. Available online at URL: <<http://www.activityvehicle.com/2015/02/2016-acura-rdx-gets-nine-speed-transmission/#.V59mlvVilc>>.*

(Continued)

Primary Examiner — Cathron Brooks

Assistant Examiner — Christian P McLean

(74) *Attorney, Agent, or Firm* — Arent Fox LLP

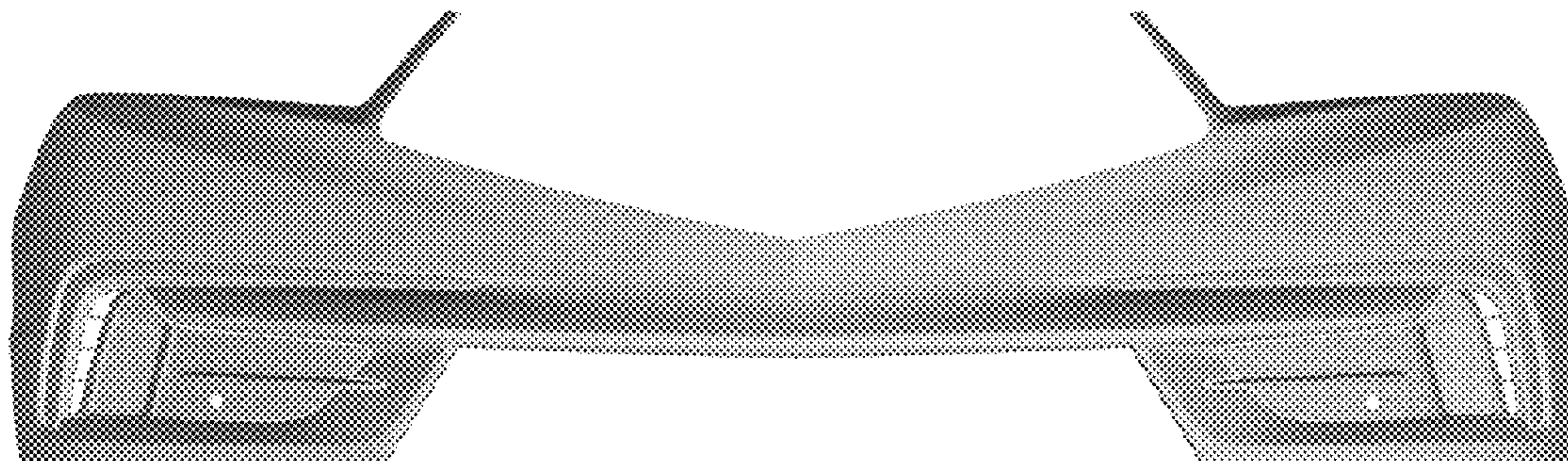
(57) **CLAIM**

The ornamental design for a front bumper, as shown and described.

DESCRIPTION

FIG. 1 is a top view of a first embodiment of a front bumper showing our new design;
 FIG. 2 is a bottom view of the design shown in FIG. 1;
 FIG. 3 is a front right perspective view of the design shown in FIG. 1;
 FIG. 4 is a front left perspective view of the design shown in FIG. 1;
 FIG. 5 is a left side view of the design shown in FIG. 1;
 FIG. 6 is a right side view of the design shown in FIG. 1;
 FIG. 7 is a top view of a second embodiment of a front bumper showing our new design;
 FIG. 8 is a bottom view of the design shown in FIG. 7;
 FIG. 9 is a front right perspective view of the design shown in FIG. 7;
 FIG. 10 is a front left perspective view of the design shown in FIG. 7;
 FIG. 11 is a left side view of the design shown in FIG. 7;
 FIG. 12 is a right side view of the design shown in FIG. 7;
 and,
 FIG. 13 is a front view of the design shown in FIG. 7.
 The rear of the bumper forms no part of the claimed design. The broken lines shown illustrate portions of the rear of the bumper, and form no part of the claimed design.

1 Claim, 13 Drawing Sheets



(58) **Field of Classification Search**

CPC B60R 19/56; B60R 2019/527; B60R
2019/1886

See application file for complete search history.

(56) **References Cited**

U.S. PATENT DOCUMENTS

D664,485	S	*	7/2012	Xu	D12/169
D664,902	S	*	8/2012	Platto	D12/169
D665,712	S	*	8/2012	Tanai	D12/169
D685,301	S	*	7/2013	Watanabe	D12/169
D691,526	S	*	10/2013	Uchino	D12/169
D703,117	S	*	4/2014	Osborne	D12/169
D712,312	S	*	9/2014	Nakayama	D12/91
D717,219	S	*	11/2014	Murakawa	D12/169
D722,925	S	*	2/2015	Kato	D12/169
D724,503	S	*	3/2015	Hall	D12/169
D732,443	S	*	6/2015	Won	D12/169
D743,854	S	*	11/2015	Miyazawa	D12/169
D749,022	S	*	2/2016	Nakahara	D12/169
D756,848	S	*	5/2016	Toriyama	D12/91

FOREIGN PATENT DOCUMENTS

JP	D1513540	S	12/2014
TW	D152264	S1	3/2013
TW	D154823	S1	7/2013

OTHER PUBLICATIONS

Taiwanese Search Report of related Taiwanese Patent Application
No. 105302244, dated Oct. 20, 2016.

* cited by examiner



FIGURE 1

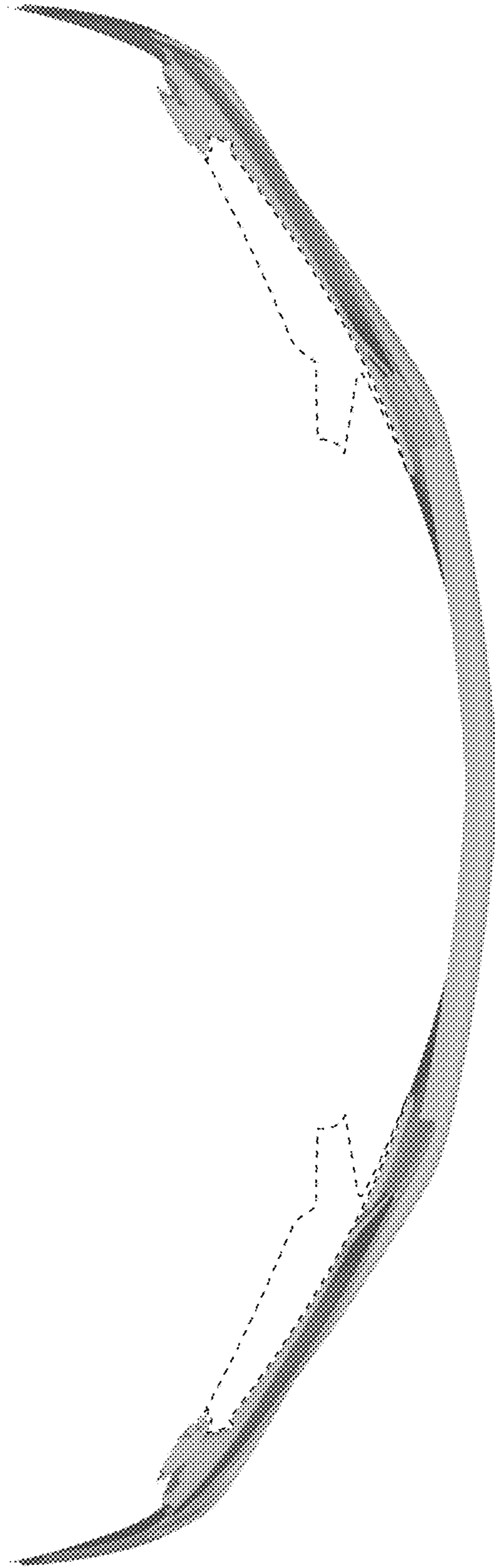
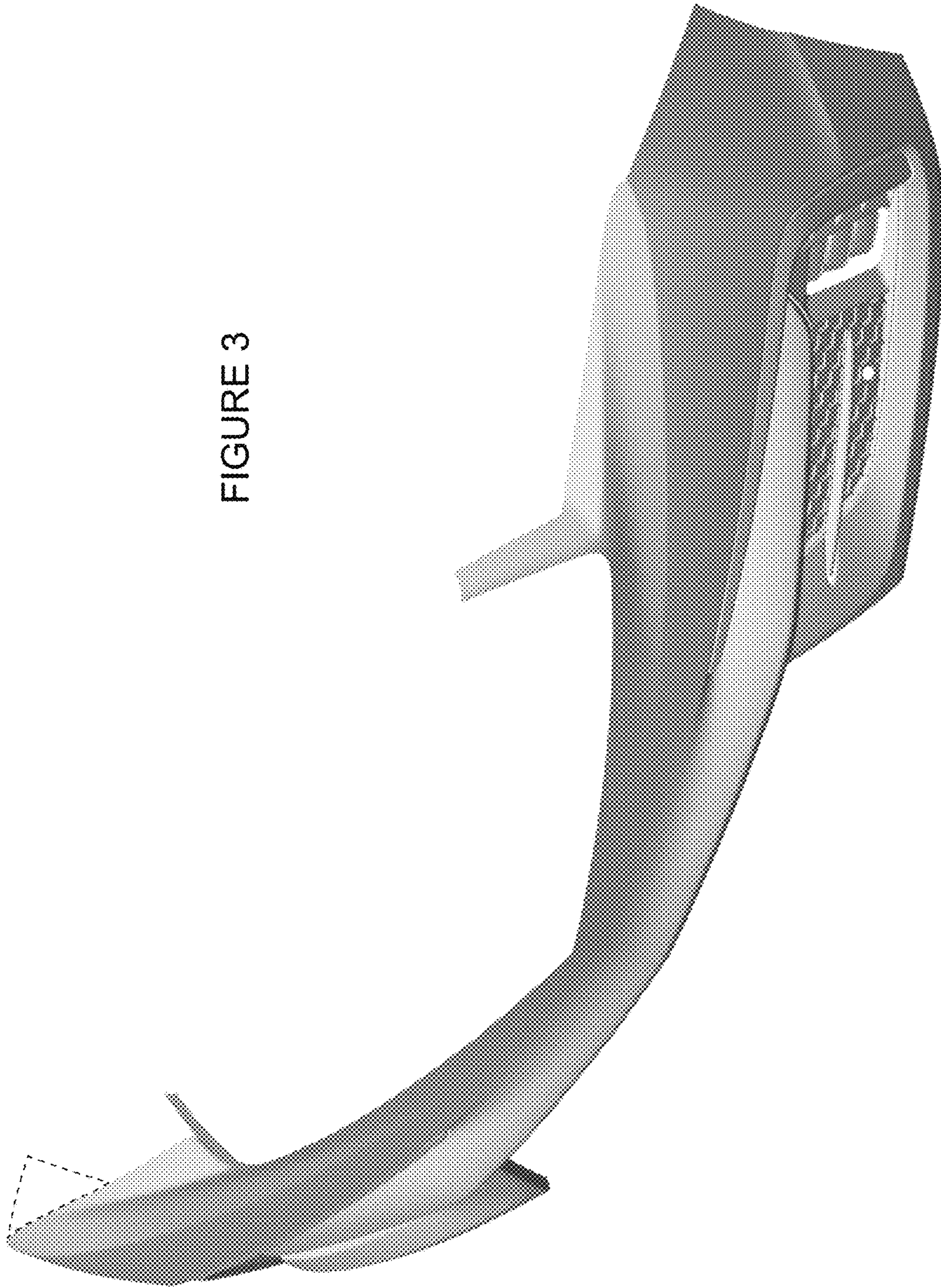


FIGURE 2

FIGURE 3



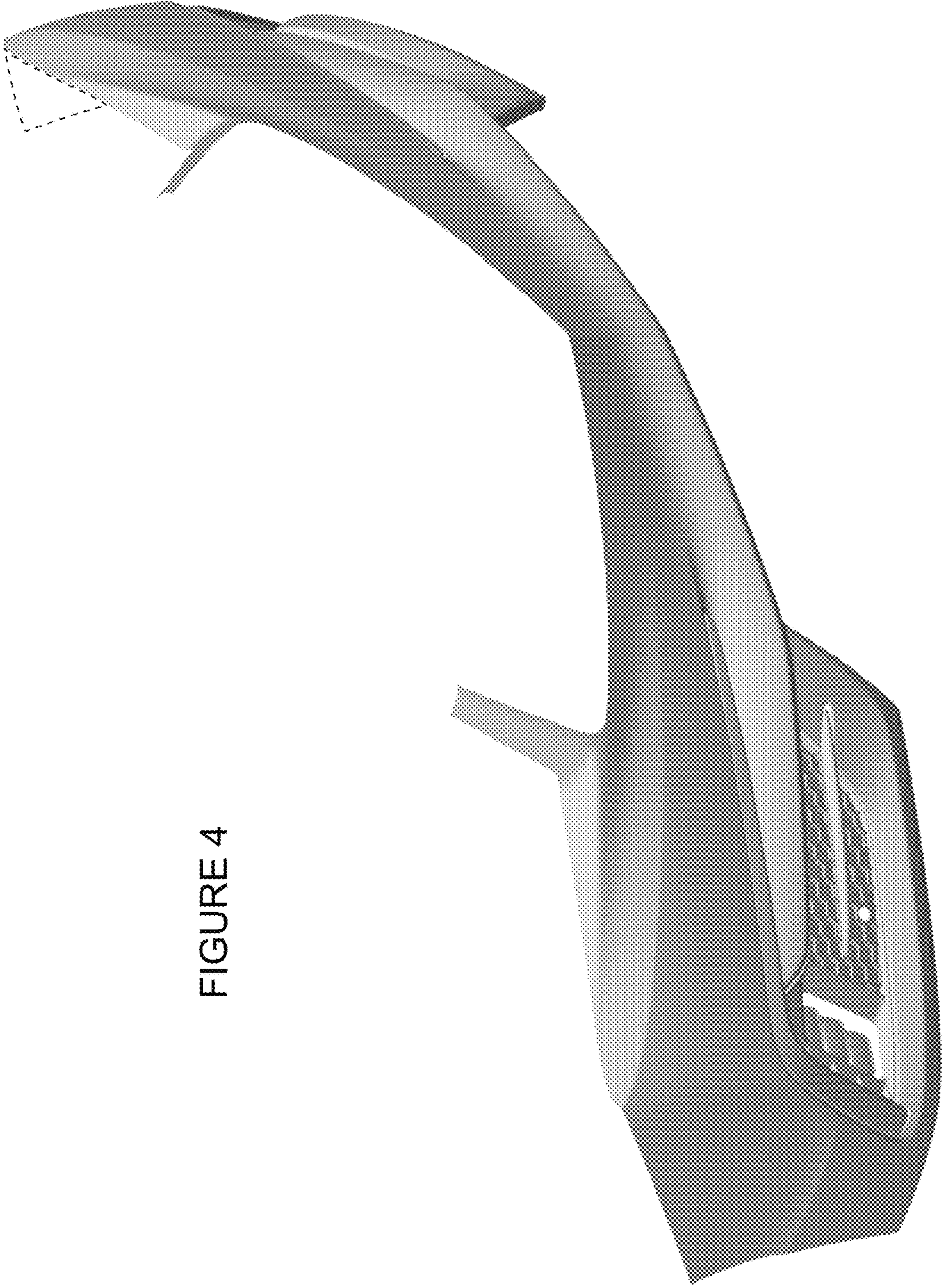


FIGURE 4

FIGURE 5

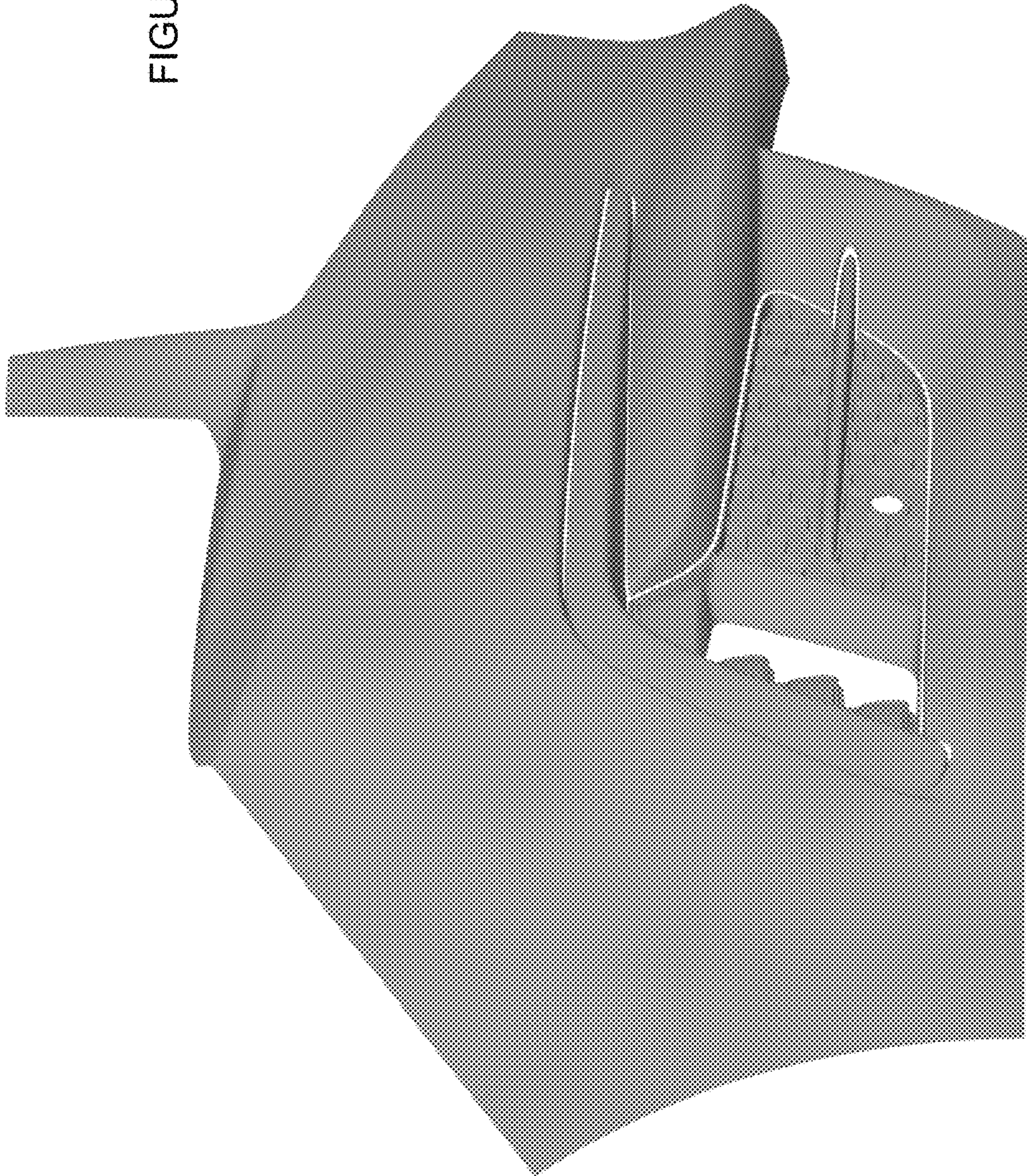
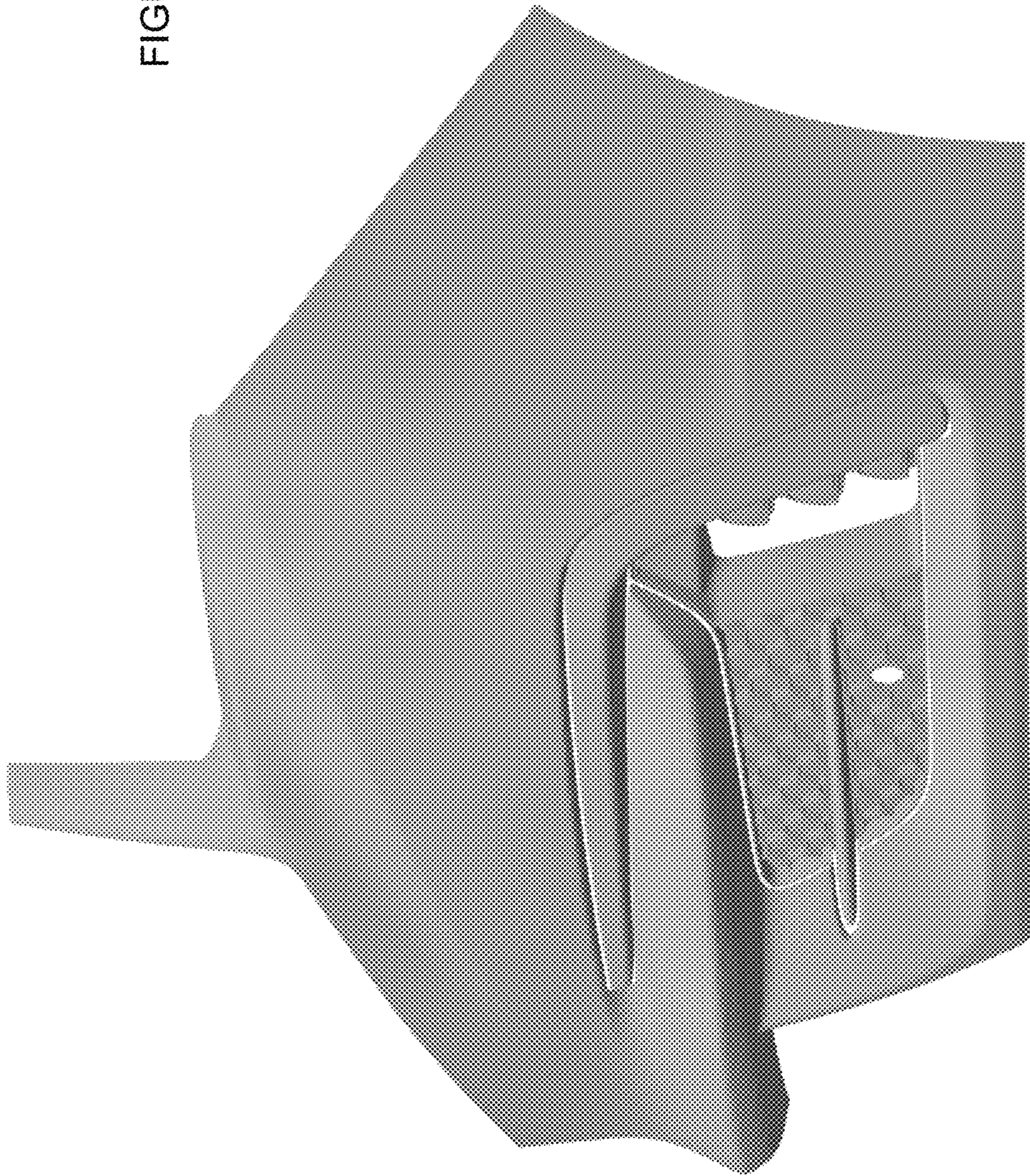


FIGURE 6



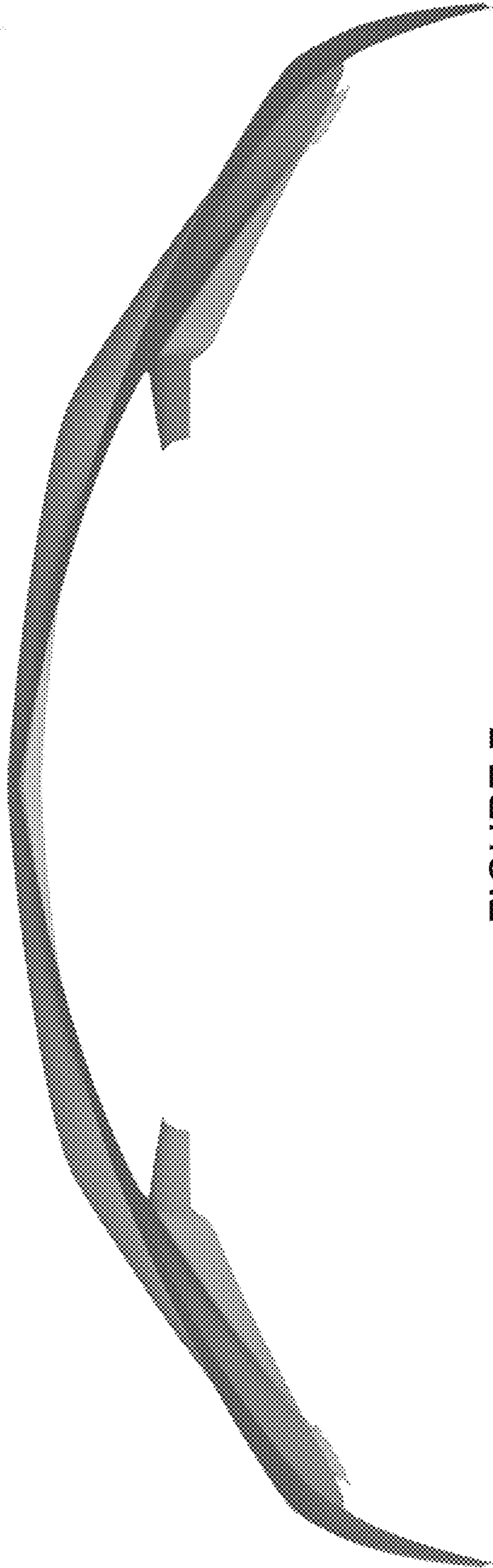


FIGURE 7

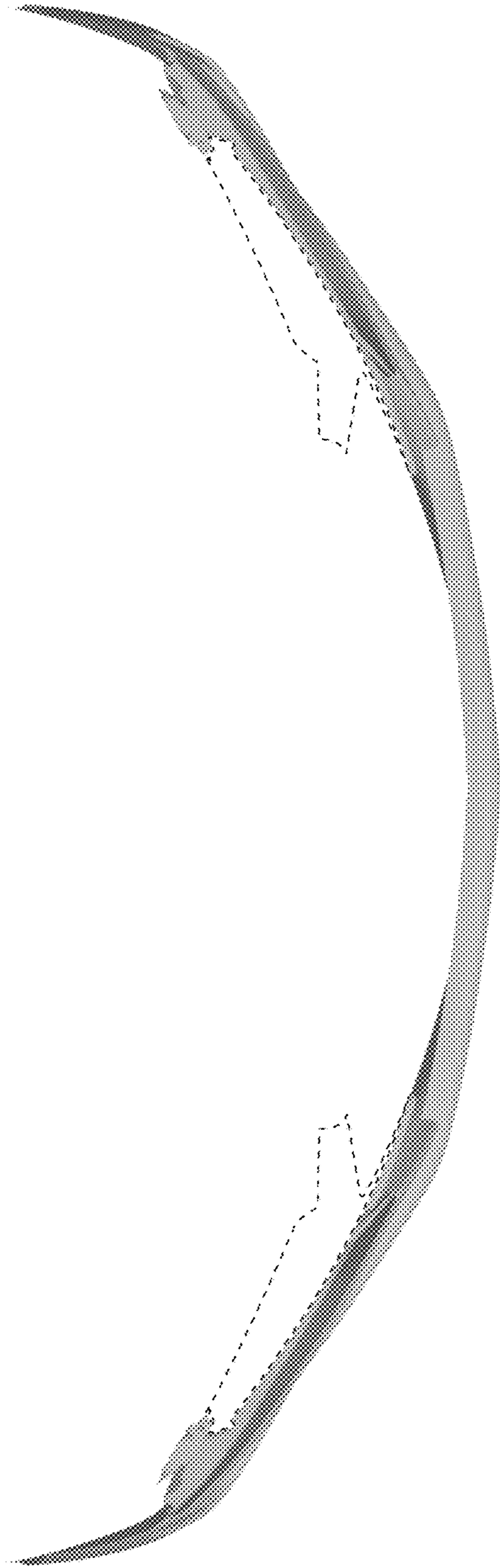
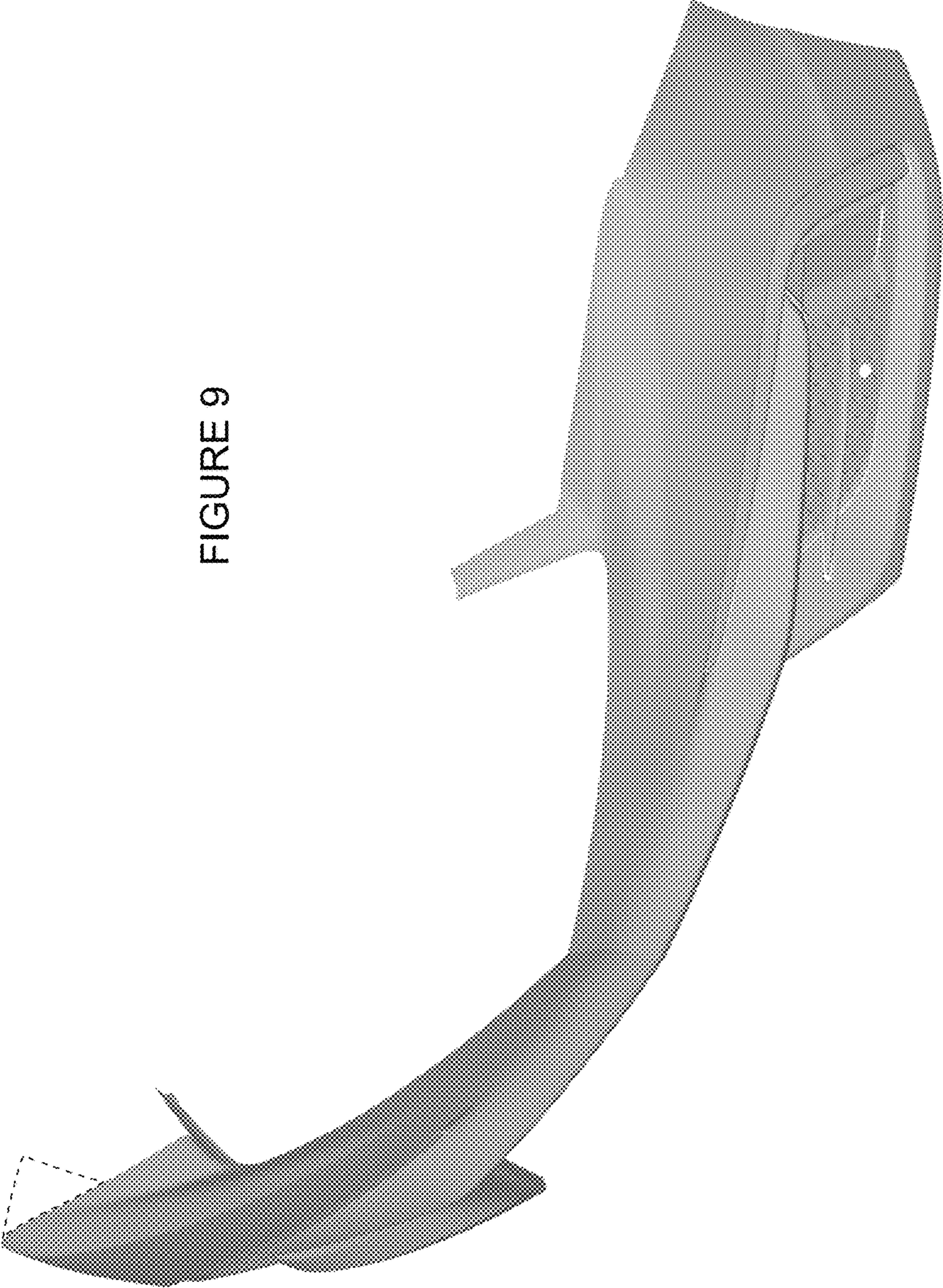


FIGURE 8

FIGURE 9



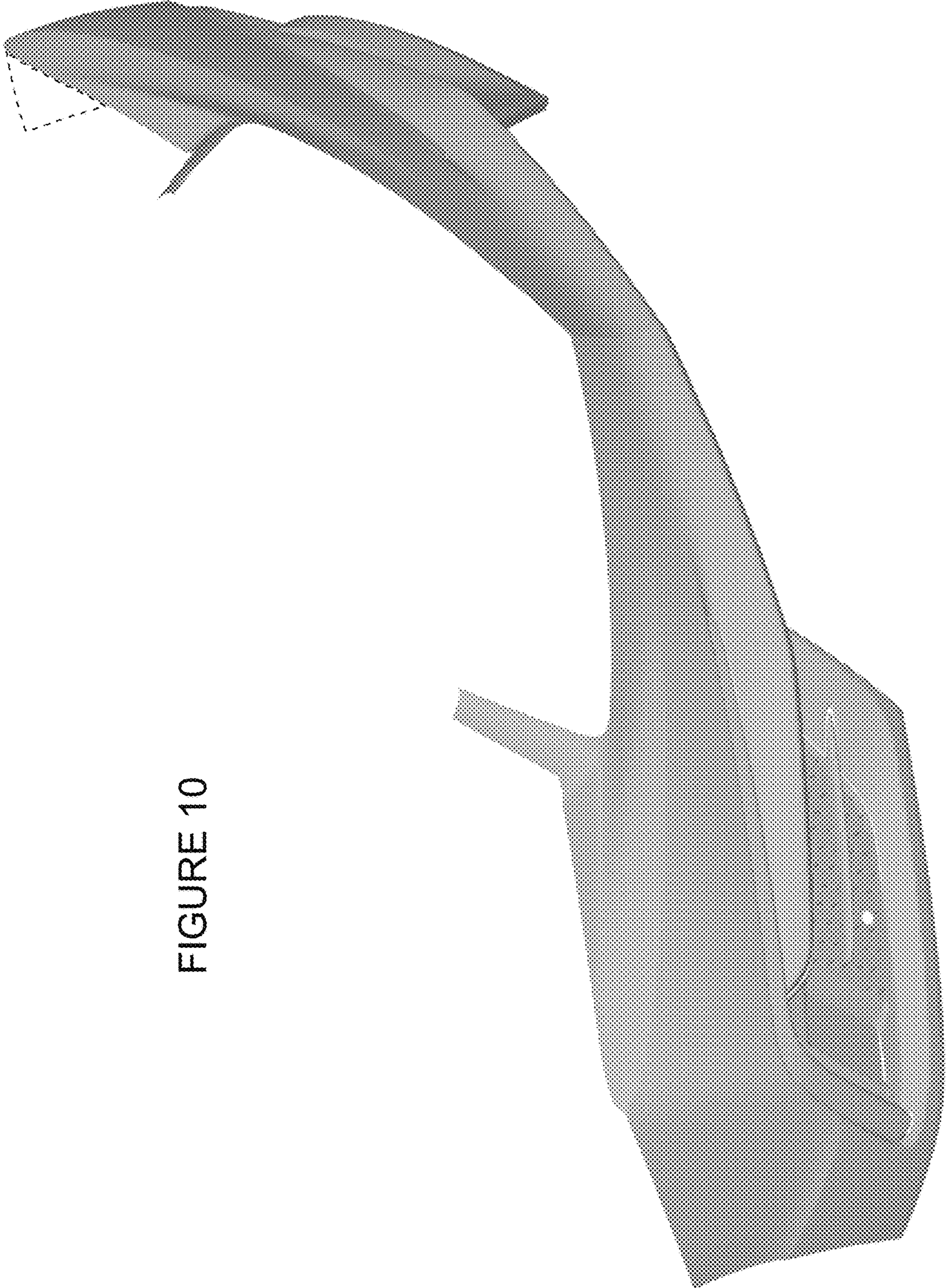


FIGURE 10

FIGURE 11

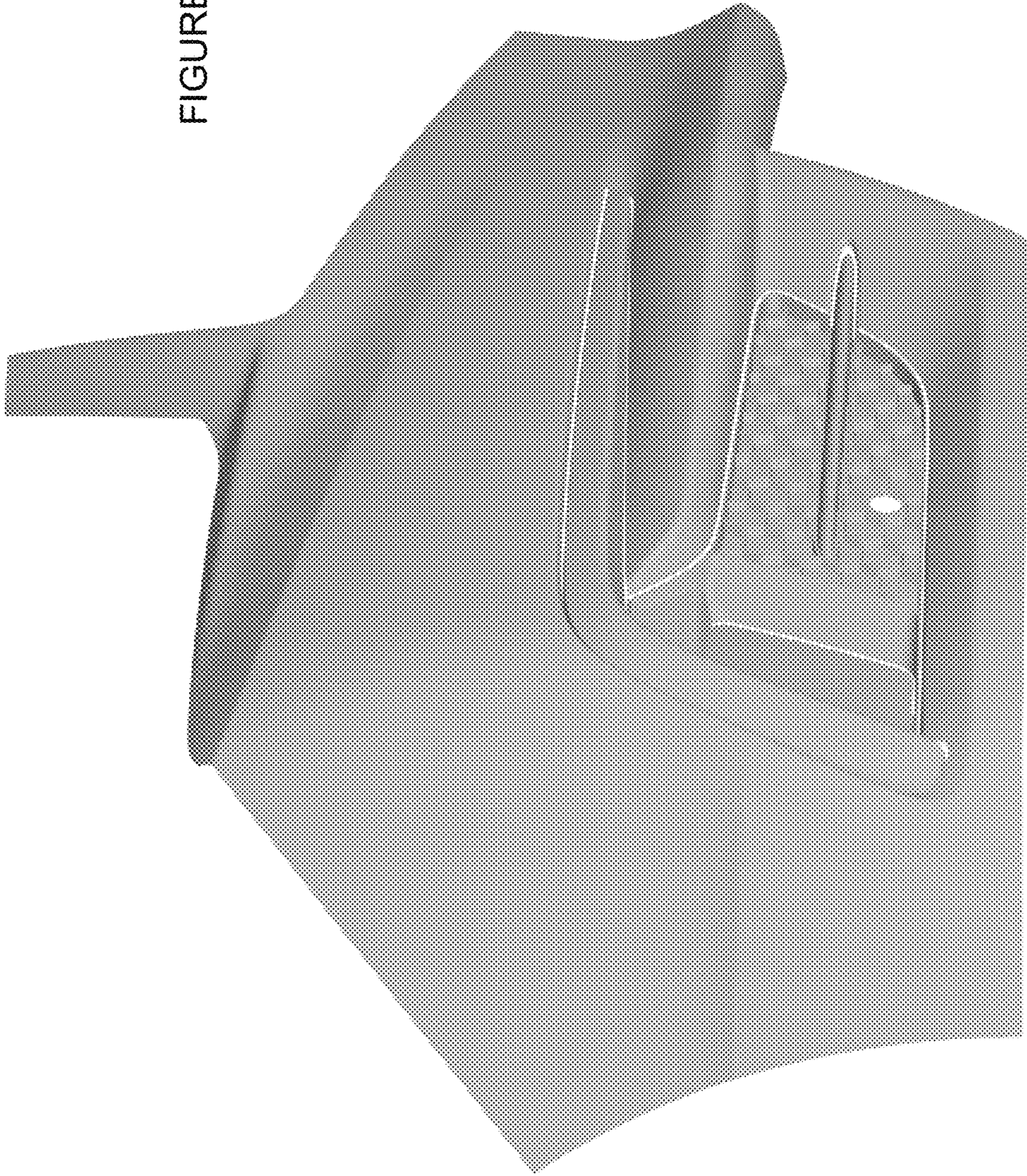
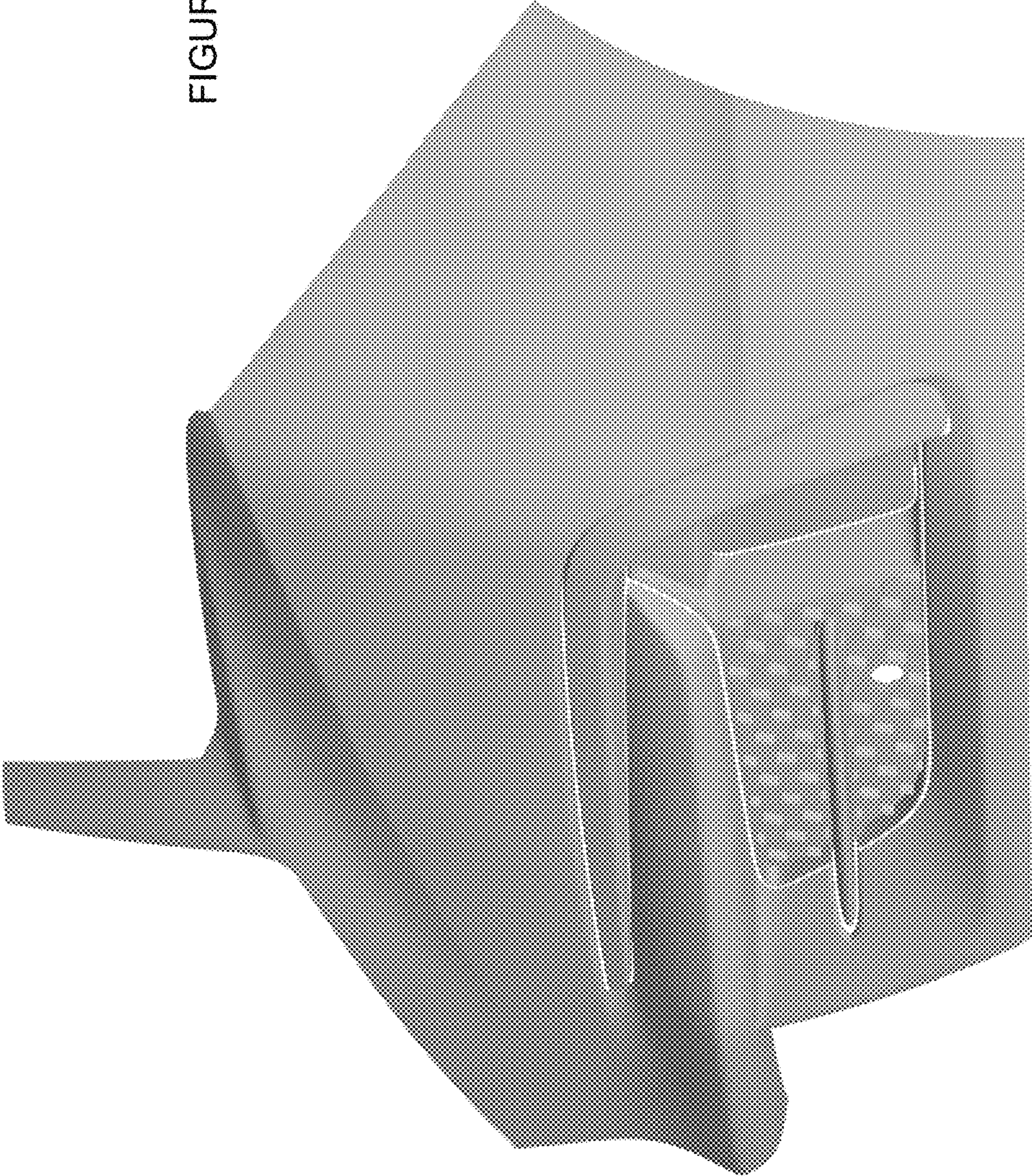


FIGURE 12



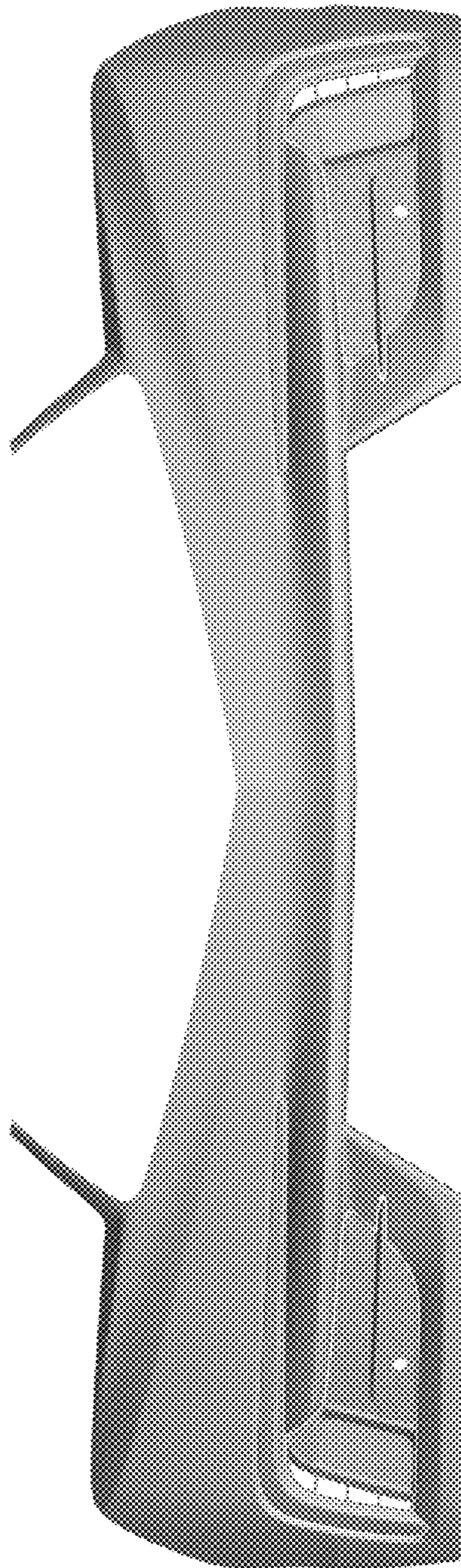


FIGURE 13