



US00D792291S

(12) **United States Design Patent** (10) **Patent No.:** **US D792,291 S**  
**Suga et al.** (45) **Date of Patent:** **\*\* Jul. 18, 2017**

(54) **REAR BUMPER FOR A MOTOR VEHICLE**

(71) Applicants: **Koichi Suga**, Toyota (JP); **Tatsuya Iwai**, Nisshin (JP)

(72) Inventors: **Koichi Suga**, Toyota (JP); **Tatsuya Iwai**, Nisshin (JP)

(73) Assignee: **Toyota Jidosha Kabushiki Kaisha**, Toyota-shi, Aichi-ken (JP)

(\*\*) Term: **15 Years**

(21) Appl. No.: **29/536,836**

(22) Filed: **Aug. 19, 2015**

(30) **Foreign Application Priority Data**

Feb. 20, 2015 (JP) ..... 2015-003451  
Feb. 20, 2015 (JP) ..... 2015-003452  
Feb. 20, 2015 (JP) ..... 2015-003453

(51) **LOC (10) Cl.** ..... **12-08**

(52) **U.S. Cl.**  
USPC ..... **D12/169**

(58) **Field of Classification Search**  
USPC ..... D12/86-92, 163-172; 293/102-155;  
296/35.2, 193.09, 193.1, 203.02  
CPC ..... B60R 19/02; B60R 19/023; B60R 19/18;  
B60R 19/24; B60R 19/44; B60R 19/48;  
B60R 19/56; B60R 2019/527; B60R  
2019/1886

See application file for complete search history.

(56) **References Cited**

**U.S. PATENT DOCUMENTS**

D575,690 S \* 8/2008 Suzuki ..... D12/169  
D586,271 S \* 2/2009 Futschik ..... D12/169  
D590,308 S \* 4/2009 Futschik ..... D12/169  
D633,418 S \* 3/2011 Frei ..... D12/164  
D640,613 S \* 6/2011 Bauer ..... D12/169

D653,593 S \* 2/2012 Nishihama ..... D12/169  
D663,657 S \* 7/2012 Frenzel ..... D12/169  
D695,162 S \* 12/2013 Scheinhutte ..... D12/169  
D695,164 S \* 12/2013 Futschik ..... D12/169  
D698,290 S \* 1/2014 Mori ..... D12/169  
D718,680 S \* 12/2014 Galante ..... D12/169  
D721,306 S \* 1/2015 George ..... D12/169  
D724,493 S \* 3/2015 Kobayashi ..... D12/91  
D725,009 S \* 3/2015 Hirai ..... D12/169  
D725,010 S \* 3/2015 Takei ..... D12/169  
D736,125 S \* 8/2015 Kamiura ..... D12/169  
D736,126 S \* 8/2015 Hammoud ..... D12/169  
D736,127 S \* 8/2015 Hammoud ..... D12/169  
D743,855 S \* 11/2015 Miyazawa ..... D12/169

(Continued)

**OTHER PUBLICATIONS**

Netcarshow.com; URL: <http://www.netcarshow.com/lexus/2015-rc/>; Model: Lexus RC (2015); Mfg.: Lexus; available on at least Apr. 8, 2014.

(Continued)

*Primary Examiner* — Cathron Brooks

*Assistant Examiner* — Christian P McLean

(74) *Attorney, Agent, or Firm* — Finnegan, Henderson, Farabow, Garrett & Dunner, L.L.P.

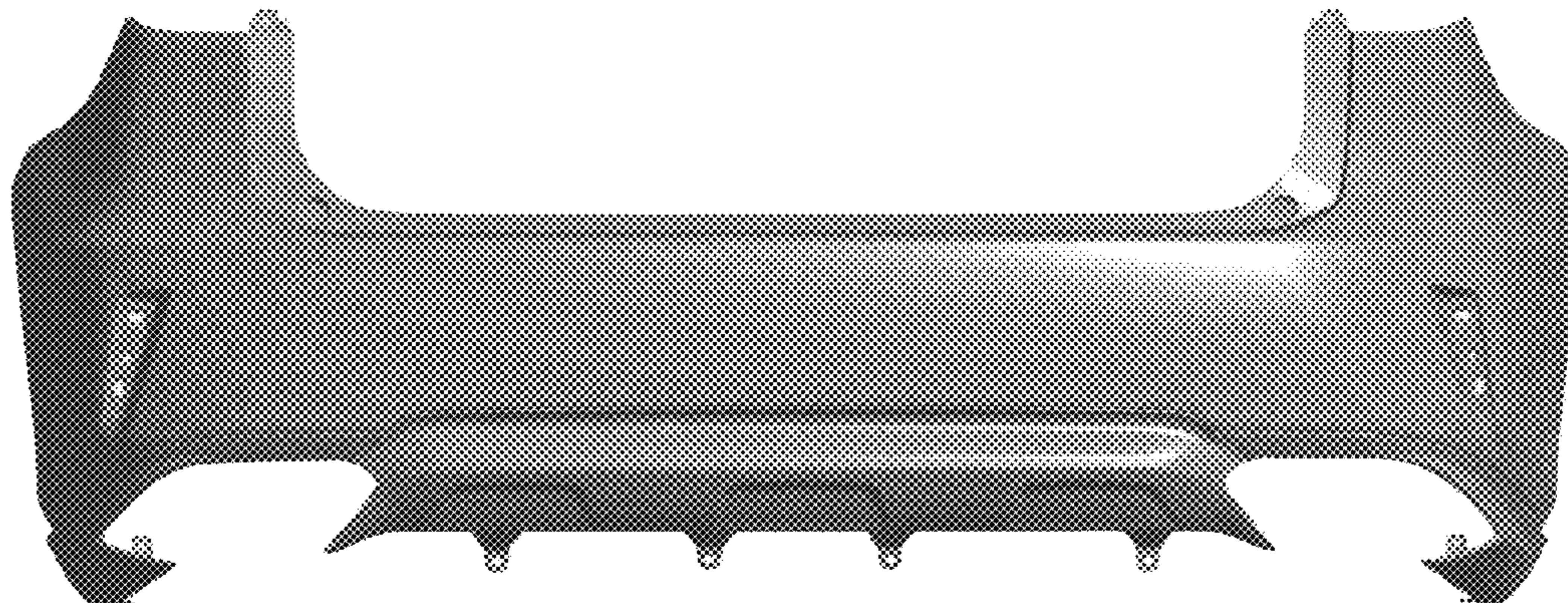
(57) **CLAIM**

The ornamental design for a rear bumper for a motor vehicle, as shown and described.

**DESCRIPTION**

FIG. 1 is a front perspective view of a rear bumper for a motor vehicle showing our new design;  
FIG. 2 is a front view thereof;  
FIG. 3 is a rear view thereof;  
FIG. 4 is a right side view thereof;  
FIG. 5 is a left side view thereof;  
FIG. 6 is a top plan view thereof; and,  
FIG. 7 is a bottom plan view thereof.

**1 Claim, 7 Drawing Sheets**



(56)

**References Cited**

U.S. PATENT DOCUMENTS

D751,463 S \* 3/2016 Futschik ..... D12/91  
D773,352 S \* 12/2016 Munakata ..... D12/169  
D773,353 S \* 12/2016 Munakata ..... D12/169  
D779,394 S \* 2/2017 Suga ..... D12/164  
D779,395 S \* 2/2017 Horie ..... D12/169

OTHER PUBLICATIONS

Netcarshow.com; URL: <http://www.netcarshow.com/mercedes-benz/2013-glk-class/>; Model: Mercedes-Benz GLK (2013); Mfg.: Mercedes-Benz; available on at least Apr. 8, 2014.

netcarshow.com; URL: [http://www.netcarshow.com/peugeot/2012-urban\\_crossover\\_concept/](http://www.netcarshow.com/peugeot/2012-urban_crossover_concept/); Model Peugeot Urban Crossover Concept; Mfg: Peugeot; available on at least Apr. 8, 2014.

Netcarshow.com; URL: [http://www.netcarshow.com/lexus/2015-rc\\_f\\_sport/](http://www.netcarshow.com/lexus/2015-rc_f_sport/); Model: Lexus RC F SPORT (2015); Mfg.: Lexus; available on at least May 28, 2014.

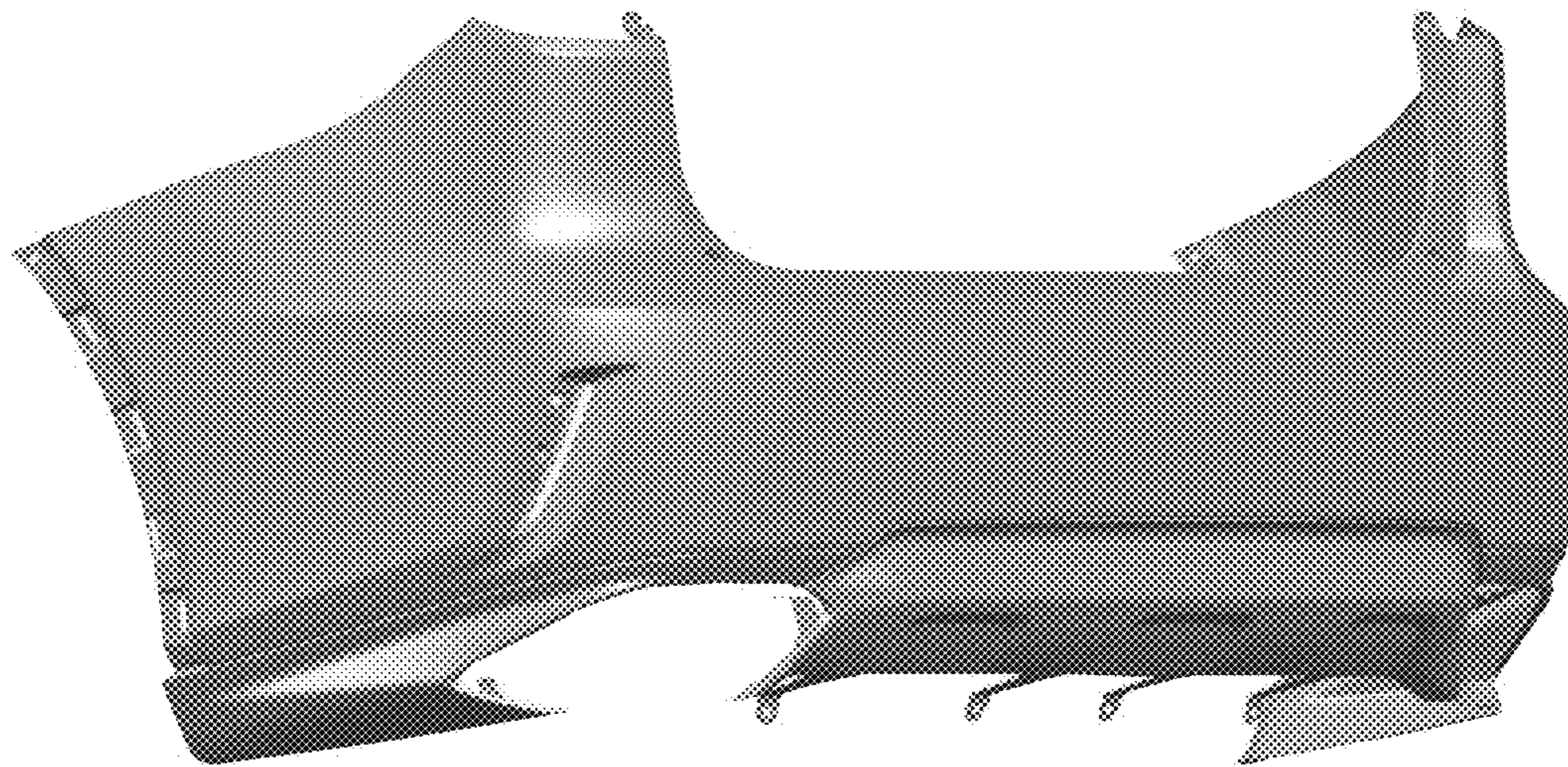
Netcarshow.com; URL: <http://www.netcarshow.com/mercedes-benz/2015-gla-class/>; Model: Mercedes-Benz GLA (2015); Mfg.: Mercedes-Benz; available on at least May 29, 2014.

netcarshow.com; URL: [http://www.netcarshow.com/nissan/2013-resonance\\_concept/](http://www.netcarshow.com/nissan/2013-resonance_concept/); Model: Nissan Resonance Concept; Mfg.: Nissan; available on at least May 28, 2014.

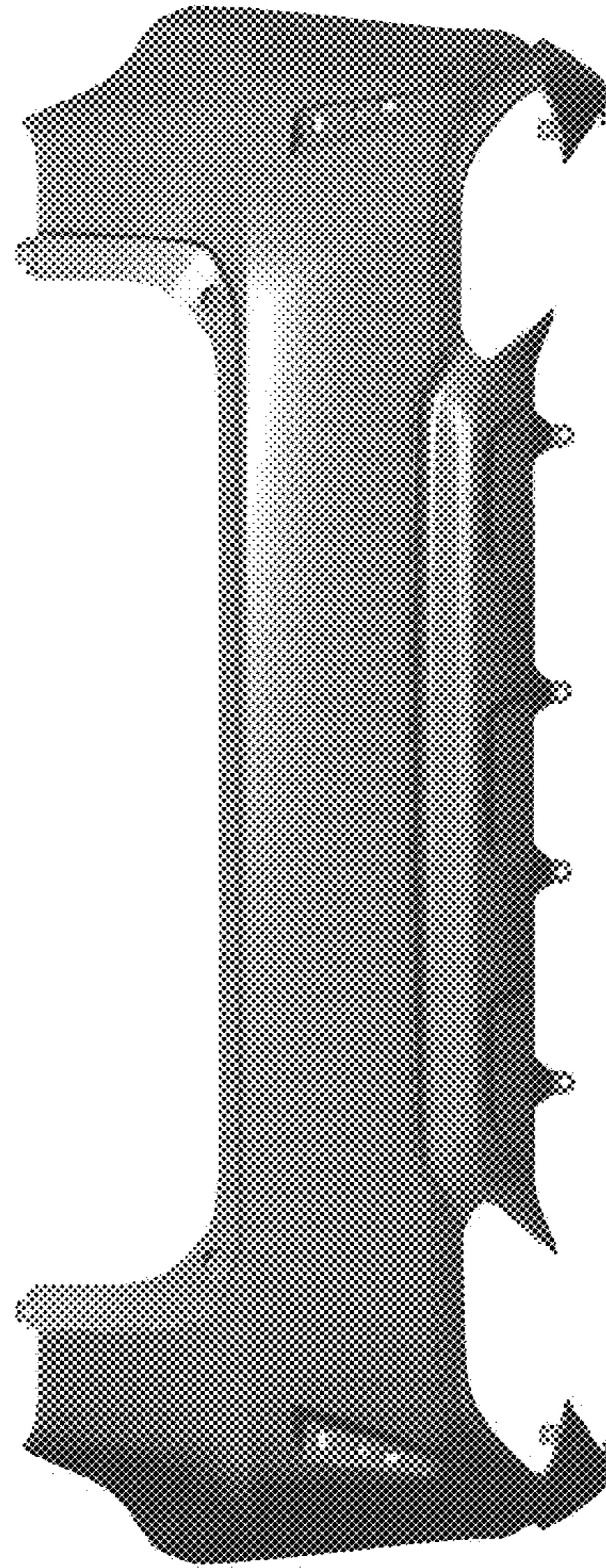
Netcarshow.com; URL: <http://www.netcarshow.com/lexus/2014-is/>; Model: Lexus IS (2014); Mfg.: Lexus; May 28, 2014.

Netcarshow.com; URL: [http://www.netcarshow.com/honda/2013-urban\\_suv\\_concept/](http://www.netcarshow.com/honda/2013-urban_suv_concept/); Model: Honda Urban SUV Concept (2013); Mfg.: Honda; available on at least May 28, 2014.

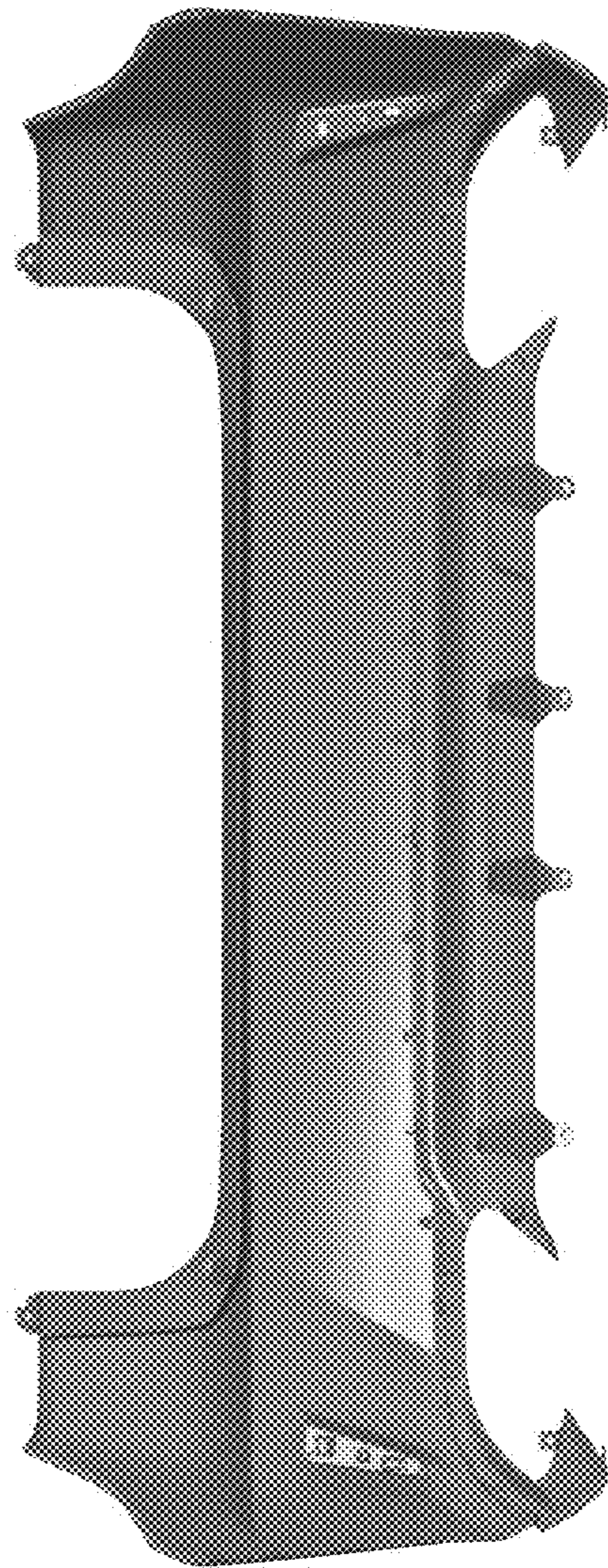
\* cited by examiner



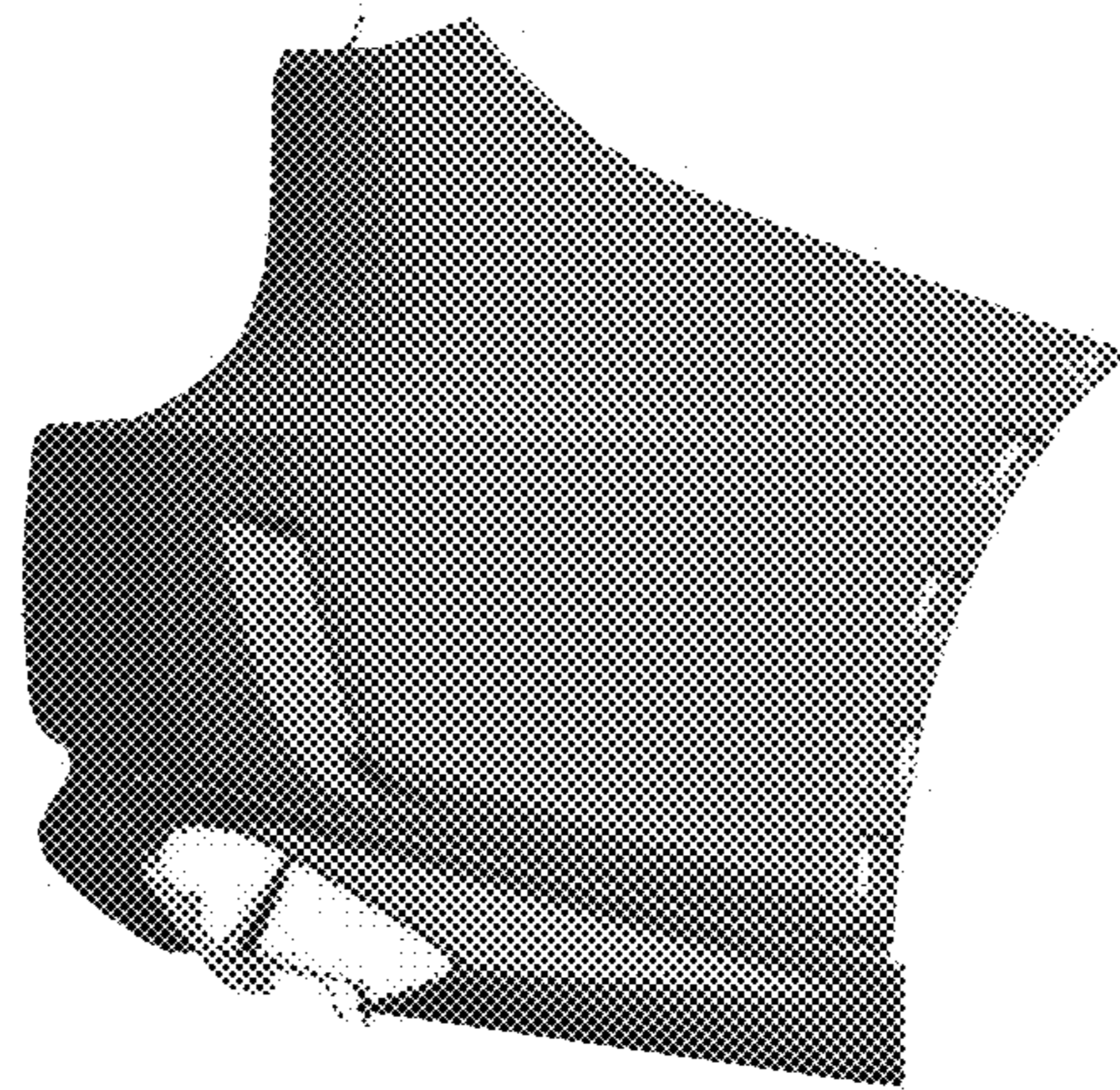
**FIG. 1**



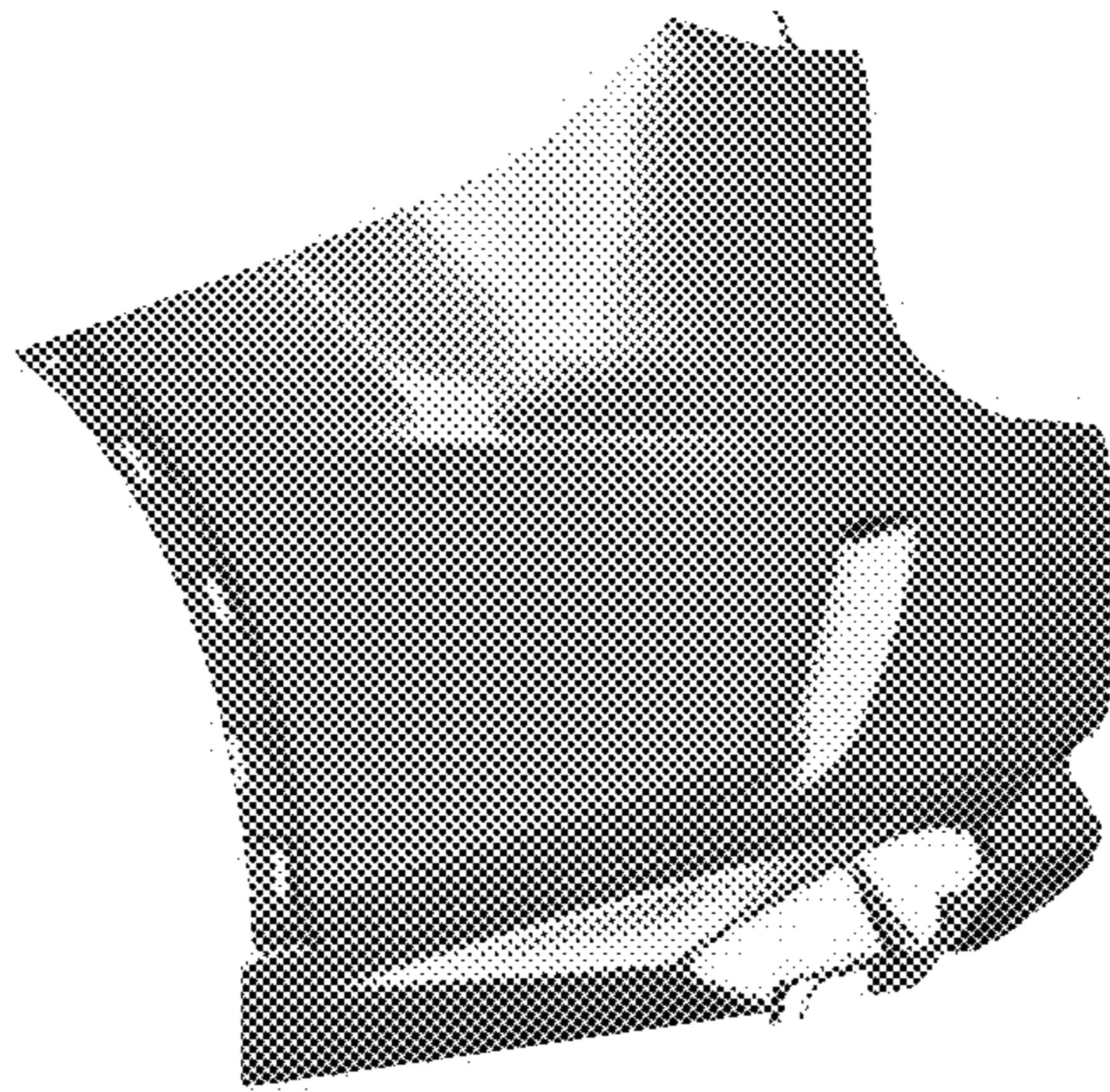
**FIG. 2**



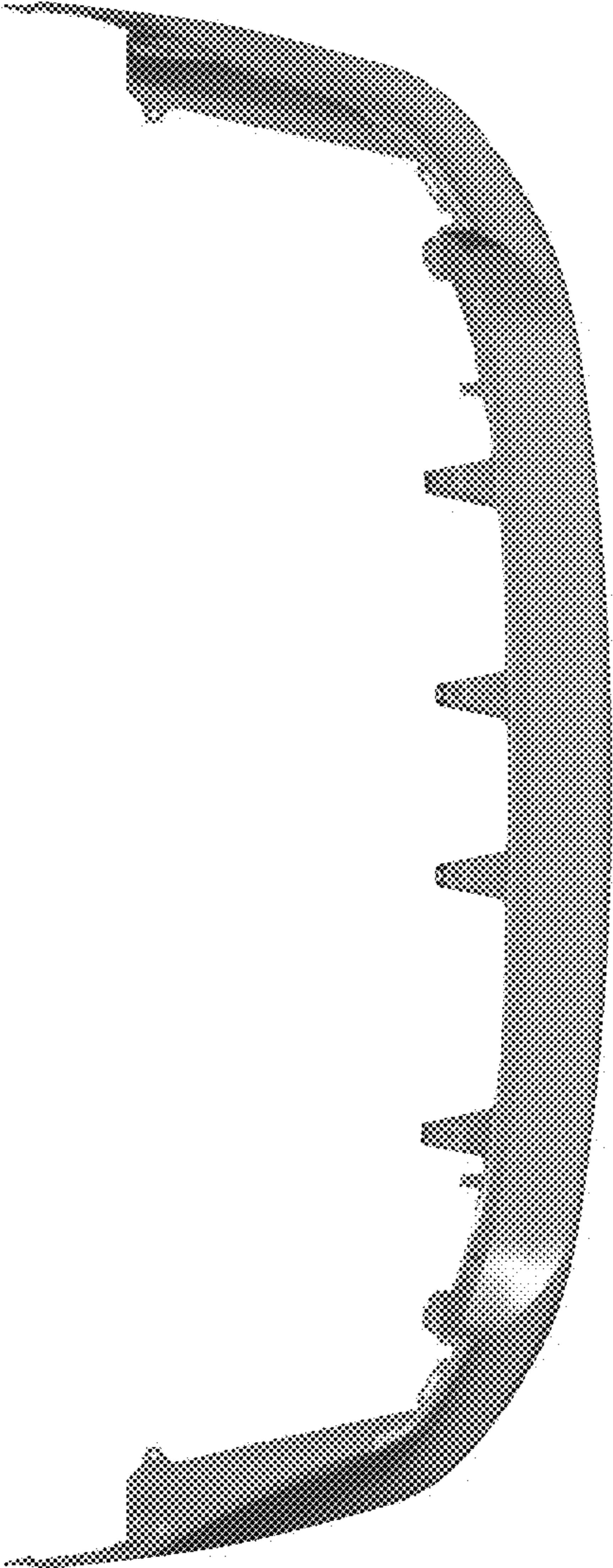
**FIG. 3**



**FIG. 4**



**FIG. 5**



**FIG. 6**



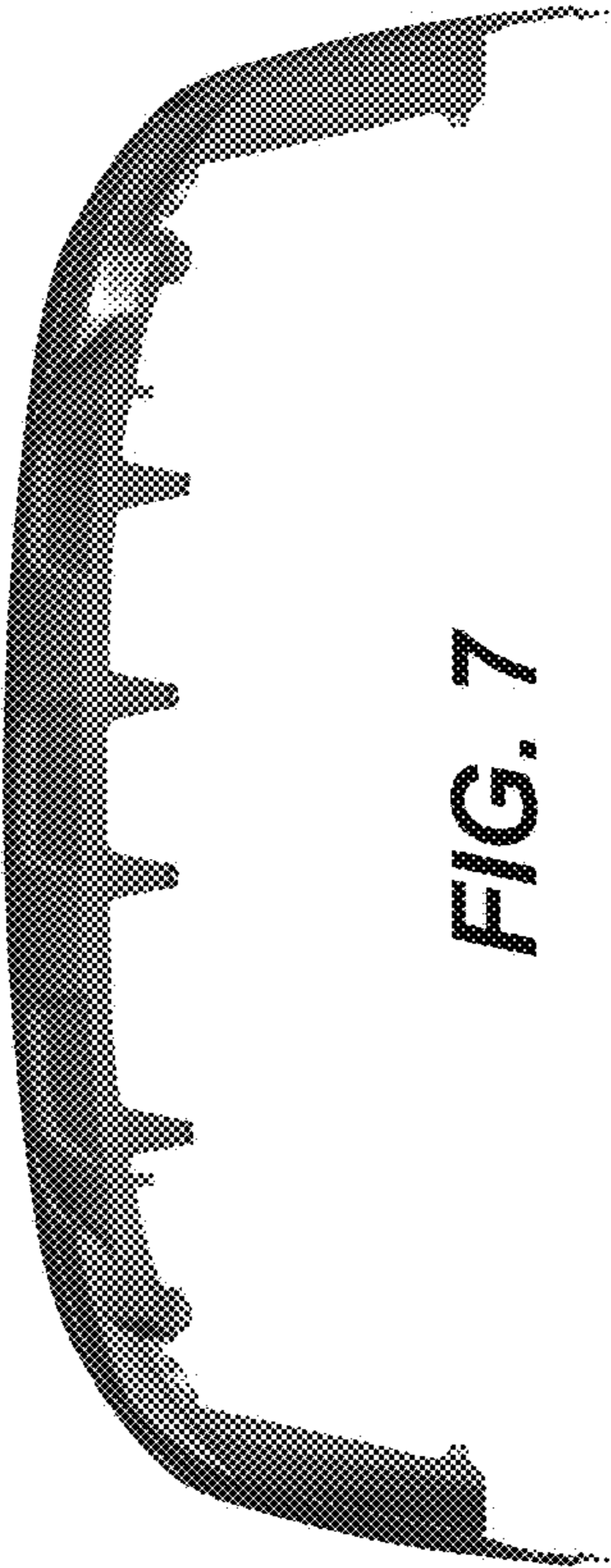


FIG. 7

UNITED STATES PATENT AND TRADEMARK OFFICE  
**CERTIFICATE OF CORRECTION**

PATENT NO. : D792,291 S  
APPLICATION NO. : 29/536836  
DATED : July 18, 2017  
INVENTOR(S) : Kochi Suga and Tatsuya Iwai

Page 1 of 1

It is certified that error appears in the above-identified patent and that said Letters Patent is hereby corrected as shown below:

On the Title Page

Page 2 Column 1, Line 24:

Please correct item (56) under "OTHER PUBLICATIONS" as follows:

Netcarshow.com; URL: <http://www.netcarshow.com/mercedes-benz/2015-gla-class/>; Model:  
Mercedes-Benz GLA (2015); Mfg.: Mercedes-Benz; available on at least May 28, 2014.

Signed and Sealed this  
Twelfth Day of September, 2017



Joseph Matal  
*Performing the Functions and Duties of the  
Under Secretary of Commerce for Intellectual Property and  
Director of the United States Patent and Trademark Office*