



US00D792289S

(12) **United States Design Patent**
Tang

(10) **Patent No.:** **US D792,289 S**

(45) **Date of Patent:** **** Jul. 18, 2017**

(54) **STROLLER**

(71) Applicant: **Zhongshan Yuyu Baby Products Co., Ltd.**, Zhongshan, Guangdong (CN)

(72) Inventor: **Qiyu Tang**, Hunan (CN)

(73) Assignee: **ZHONGSHAN YUYU BABY PRODUCTS CO., LTD.**, Zhongshan (CN)

(**) Term: **15 Years**

(21) Appl. No.: **29/575,295**

(22) Filed: **Aug. 24, 2016**

(51) **LOC (10) Cl.** **12-12**

(52) **U.S. Cl.**
USPC **D12/129**

(58) **Field of Classification Search**
USPC D12/128–133
CPC B62B 7/00–7/04; B62B 9/00–9/28
See application file for complete search history.

(56) **References Cited**

U.S. PATENT DOCUMENTS

D375,707 S *	11/1996	Yang	D12/129
D519,422 S *	4/2006	Huang	D12/129
7,267,359 B1 *	9/2007	Yang	B62B 7/08 280/47.34
7,364,171 B2 *	4/2008	Hu	B60B 1/006 280/47.38
D578,044 S *	10/2008	Chen	D12/129
D593,459 S *	6/2009	Liao	D12/129

D596,996 S *	7/2009	Yang	D12/129
D621,306 S *	8/2010	Liao	D12/129
D643,343 S *	8/2011	Song	D12/129
D661,624 S *	6/2012	Stopp	D12/129
D672,692 S *	12/2012	Jane Santamaria	D12/129
D677,605 S *	3/2013	Ide	D12/129
D715,702 S *	10/2014	Chen	D12/129
D721,015 S *	1/2015	Bassan	D12/129
D726,078 S *	4/2015	Liao	D12/129
D733,617 S *	7/2015	Angelfoss	D12/129
D737,733 S *	9/2015	Zhong	D12/129
D747,669 S *	1/2016	Cheng	D12/129
D753,027 S *	4/2016	Jane Santamaria	D12/129
D754,033 S *	4/2016	Angelfoss	D12/129

* cited by examiner

Primary Examiner — Charles Hanson

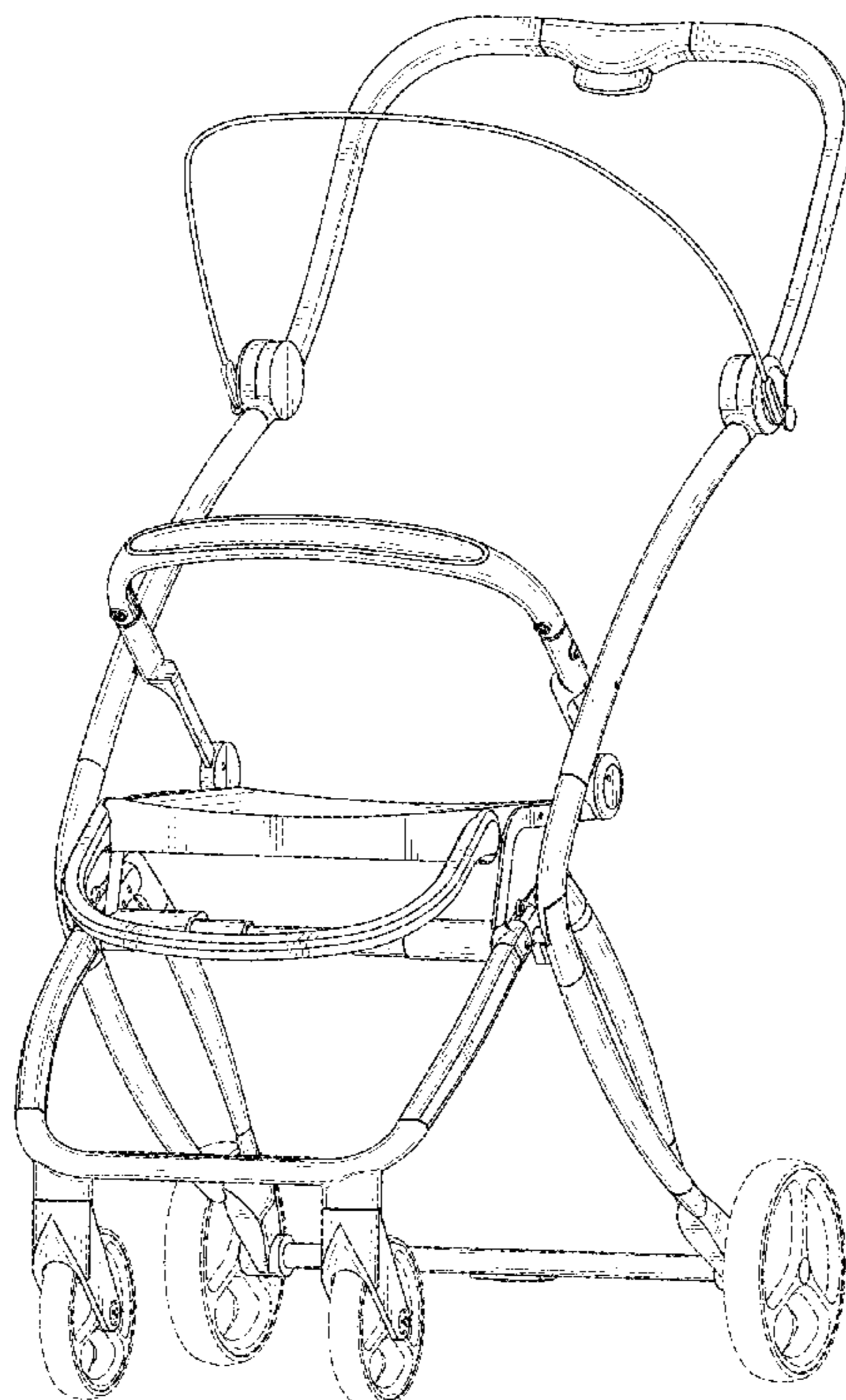
(57) **CLAIM**

The ornamental design for a stroller, as shown and described.

DESCRIPTION

FIG. 1 is a first perspective view of a stroller showing my new design;
FIG. 2 is a second perspective view thereof;
FIG. 3 is a front elevational view thereof;
FIG. 4 is a rear elevational view thereof;
FIG. 5 is a left side view thereof;
FIG. 6 is a right side view thereof;
FIG. 7 is a top plan view thereof; and,
FIG. 8 is a bottom plan view thereof.
The broken lines in the drawings illustrate portions of the stroller which form no part of the claimed design.

1 Claim, 8 Drawing Sheets



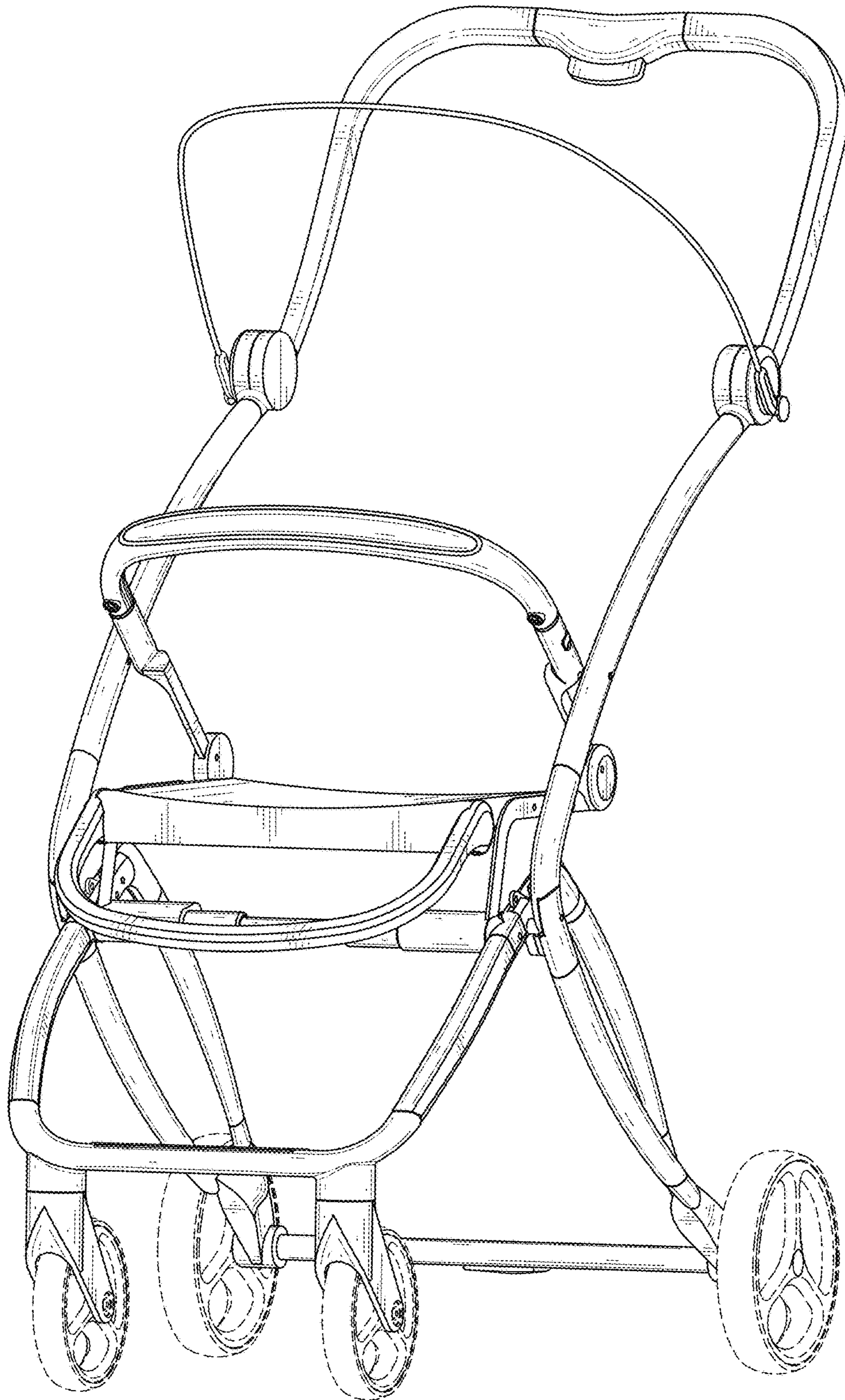


FIG. 1

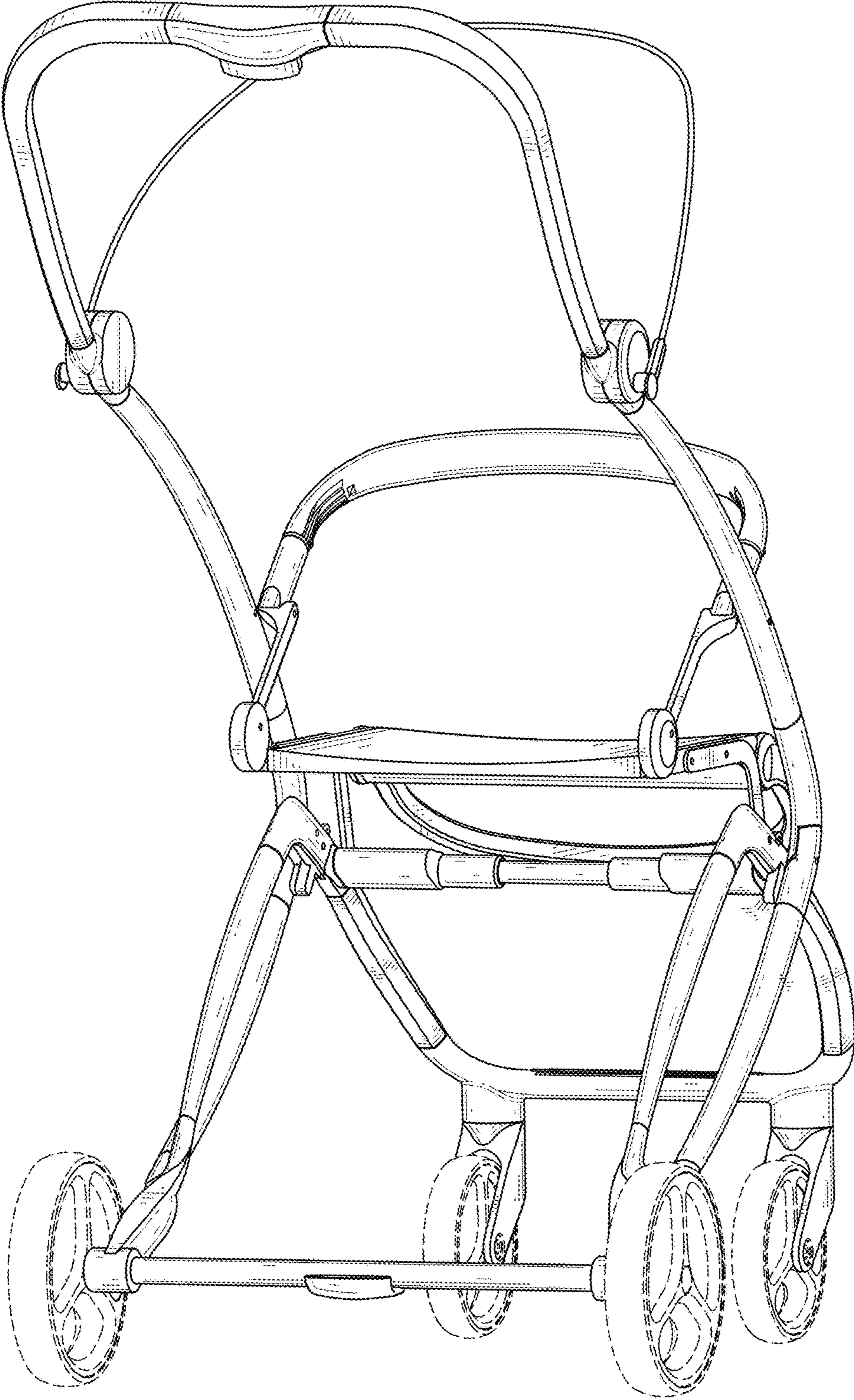


FIG. 2

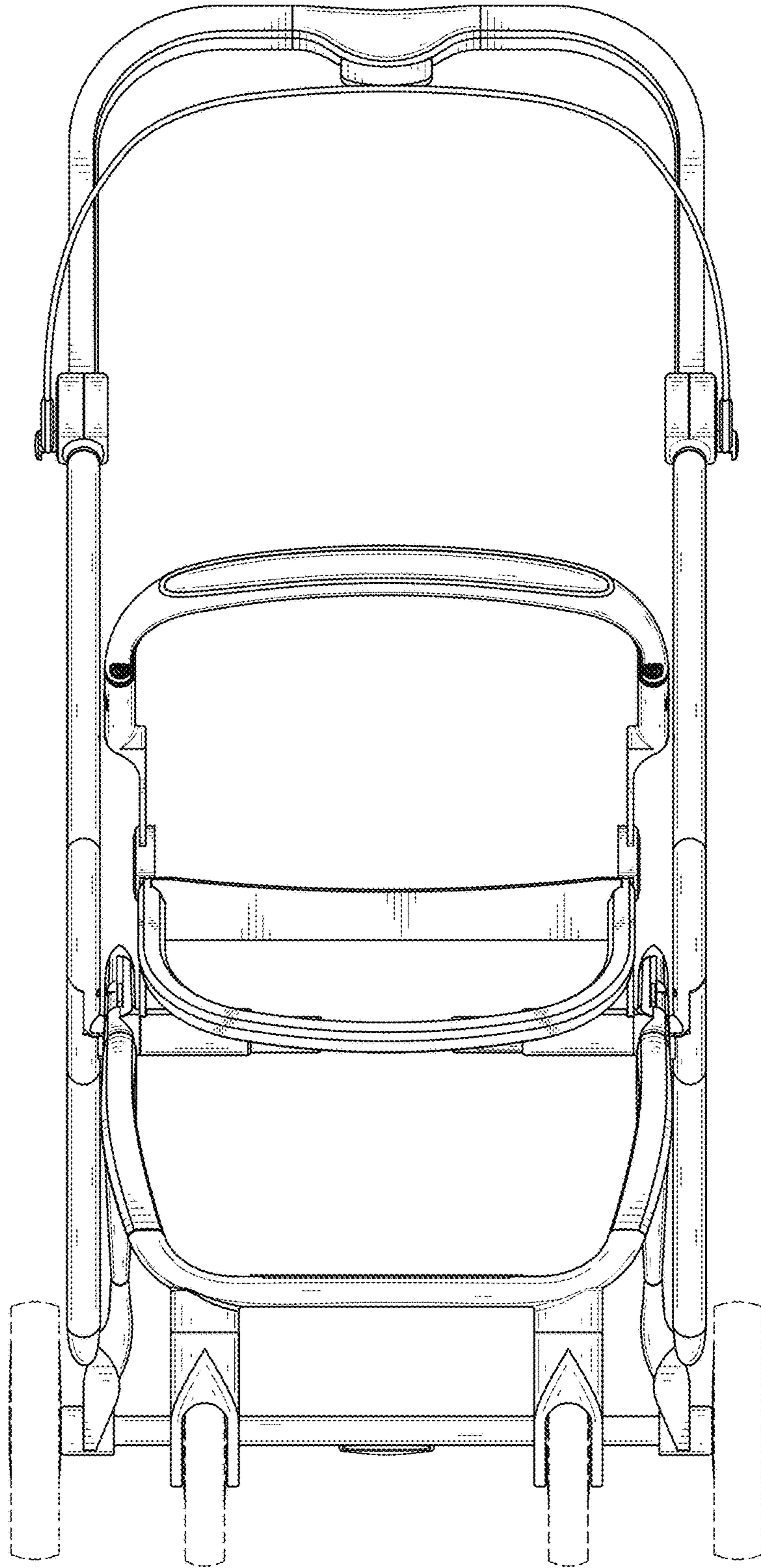


FIG. 3

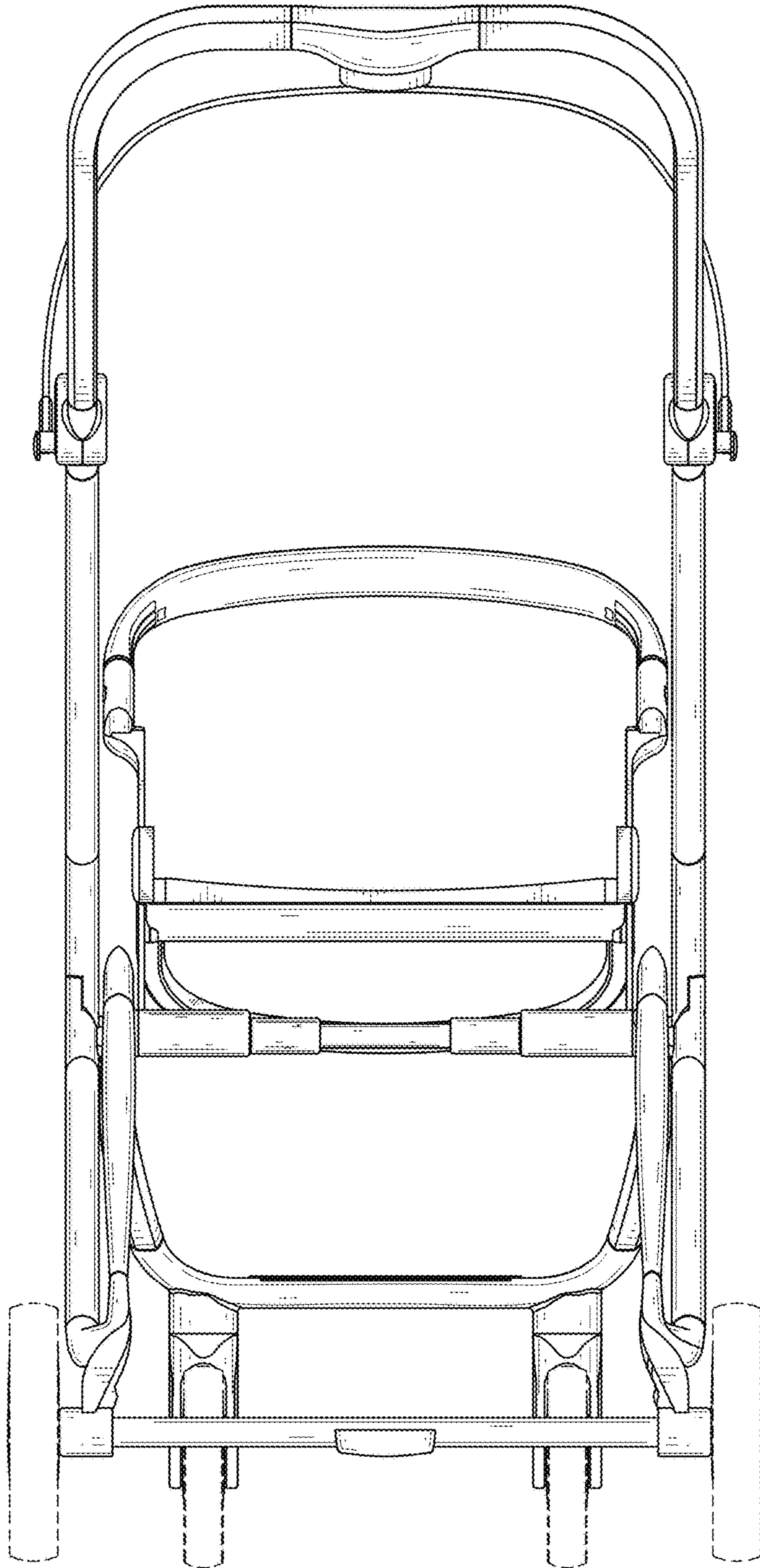


FIG. 4

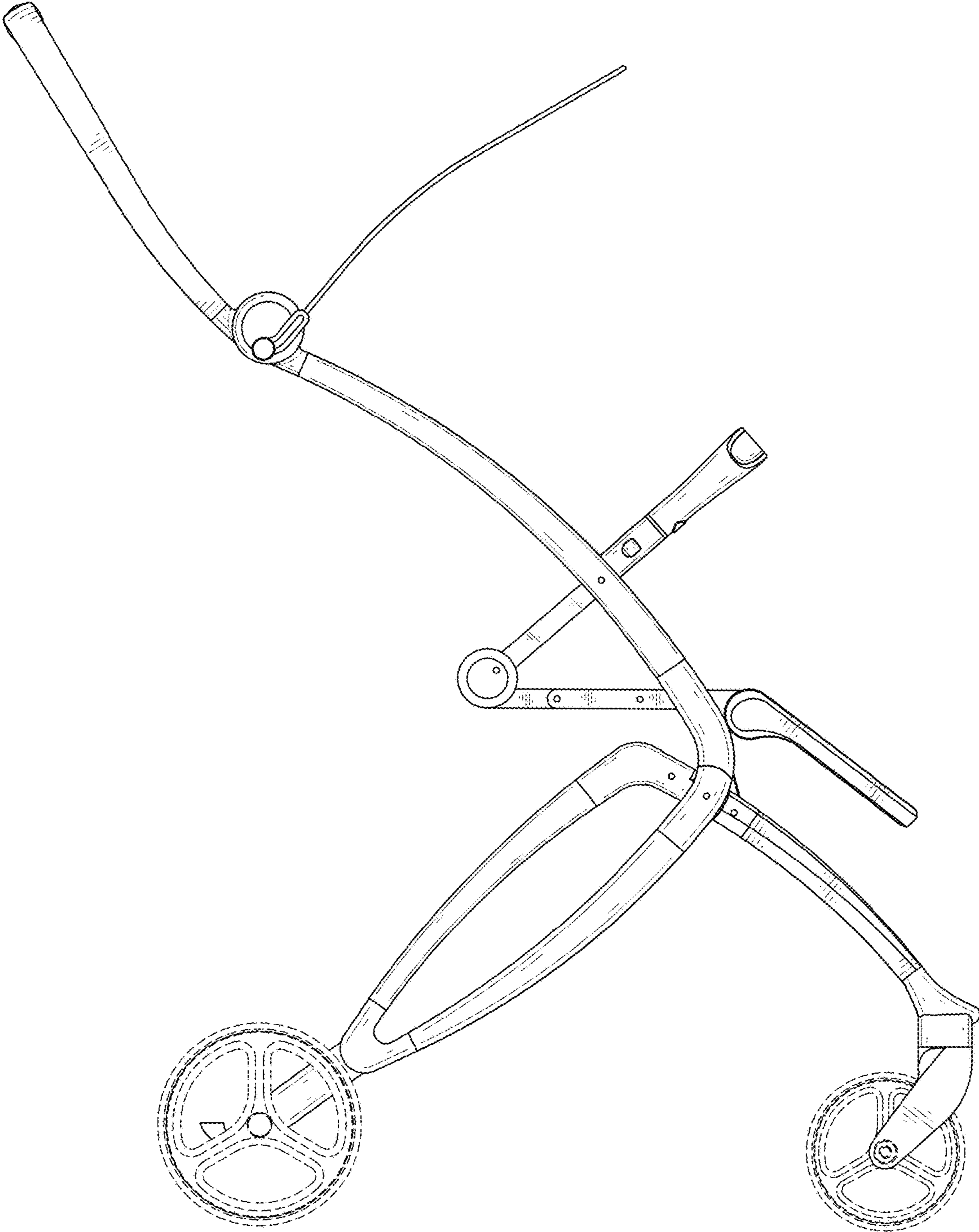


FIG. 5

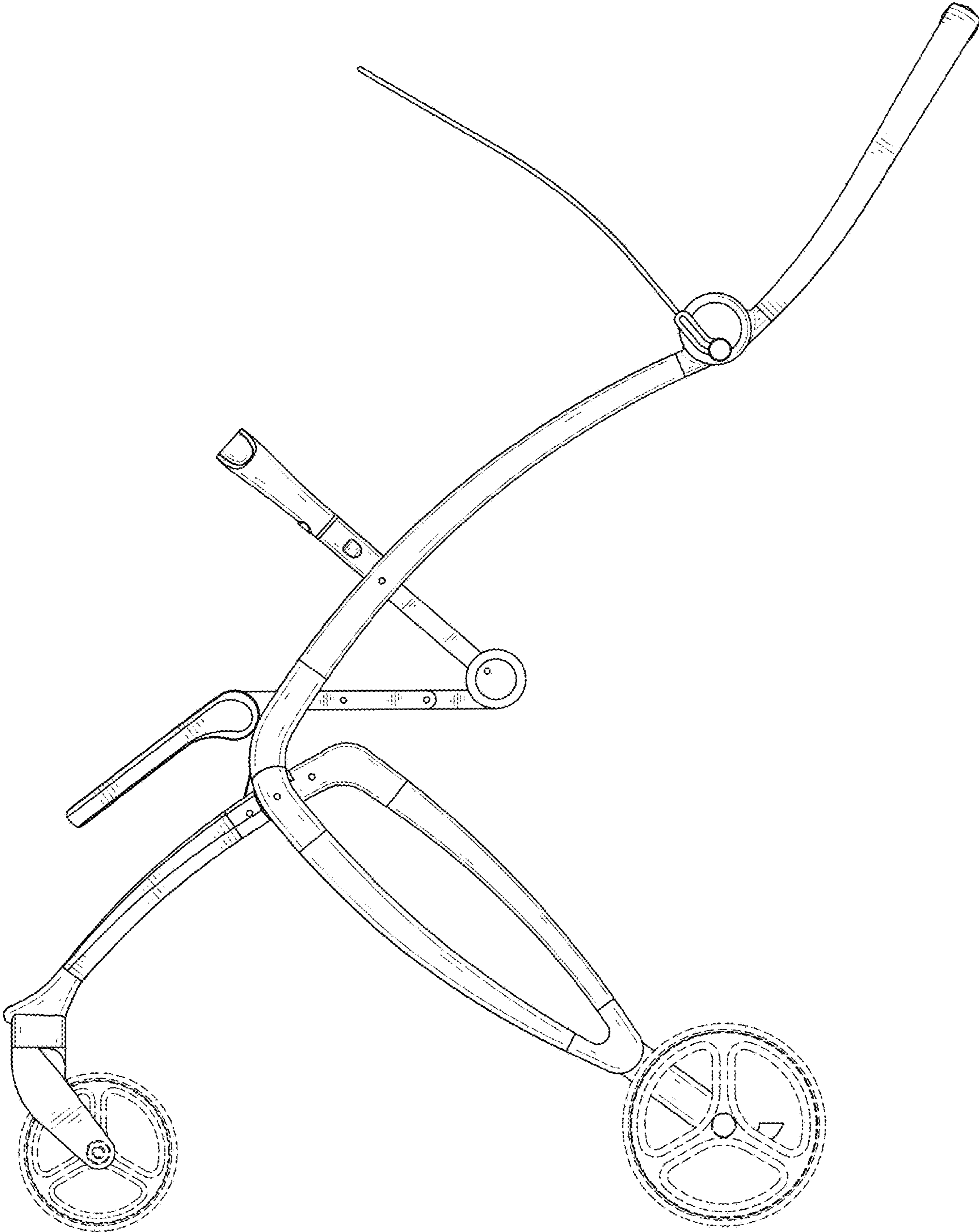


FIG. 6

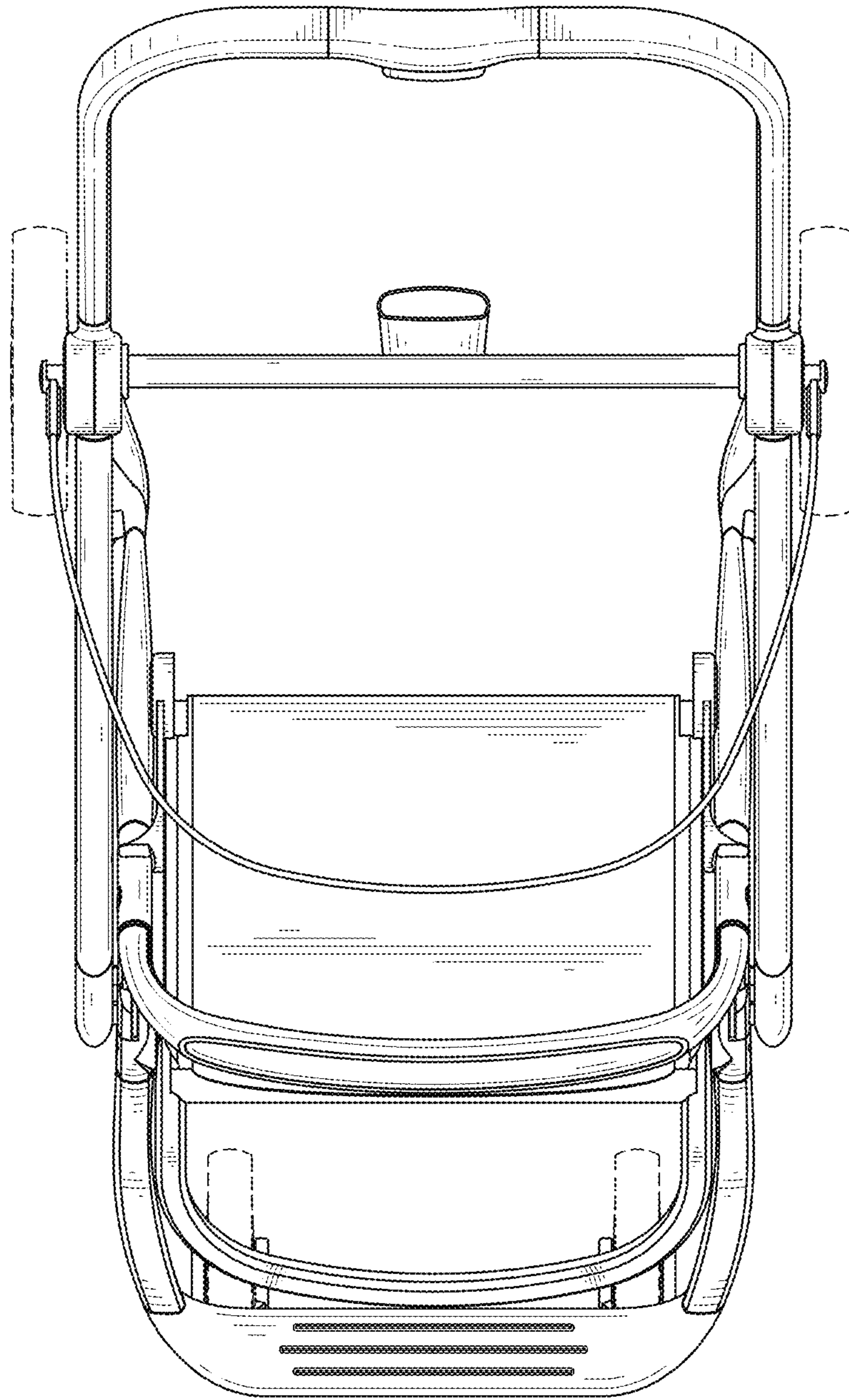


FIG. 7

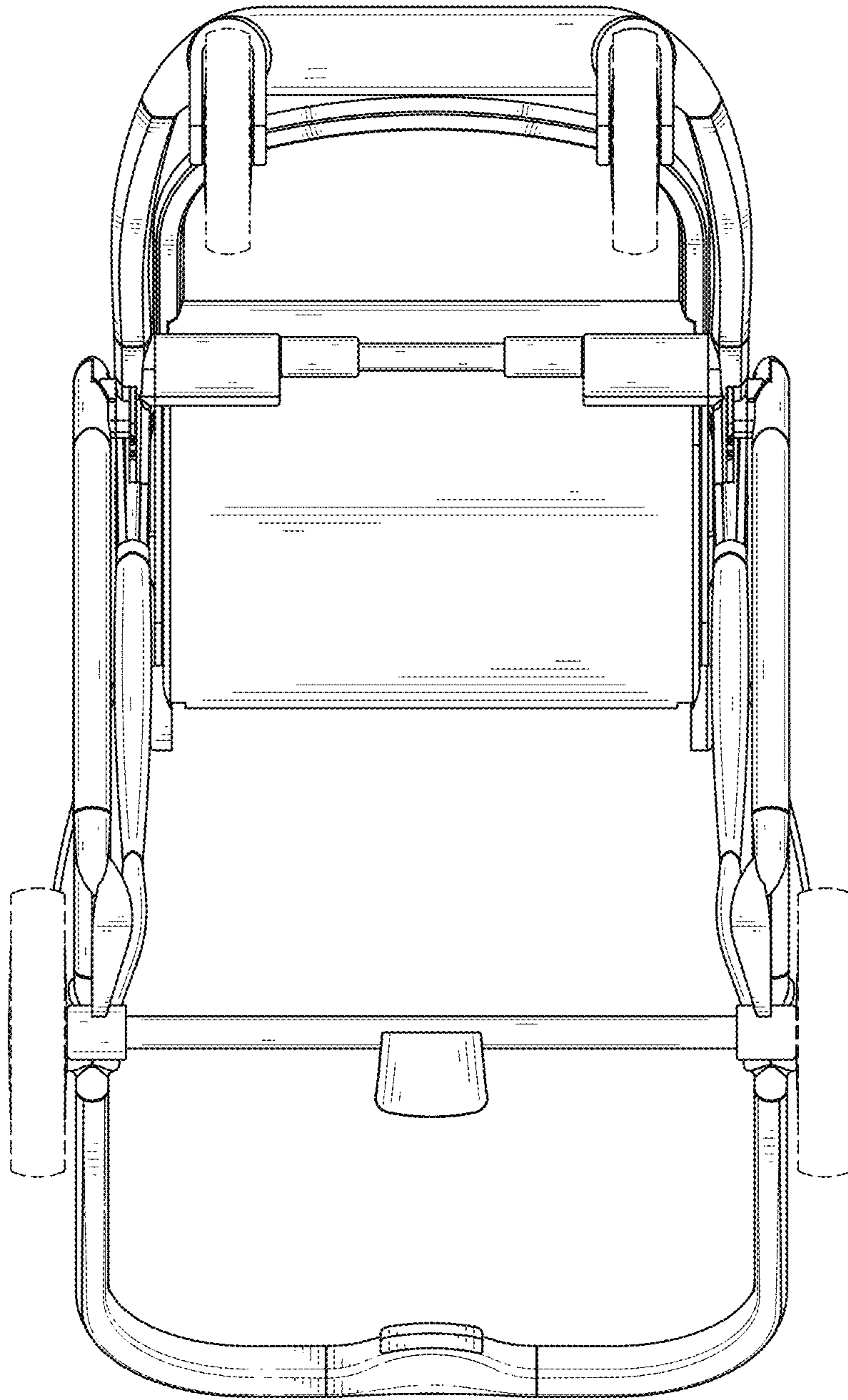


FIG. 8