

US00D792288S

(12) **United States Design Patent**
Koren, Jr.

(10) **Patent No.:** **US D792,288 S**
(45) **Date of Patent:** **** Jul. 18, 2017**

(54) **BICYCLE RACK ADAPTER**

(71) Applicant: **Thomas Joseph Koren, Jr.**, Madison, WI (US)

(72) Inventor: **Thomas Joseph Koren, Jr.**, Madison, WI (US)

(**) Term: **15 Years**

(21) Appl. No.: **29/554,139**

(22) Filed: **Feb. 8, 2016**

(51) **LOC (10) Cl.** **12-11**

(52) **U.S. Cl.**
USPC **D12/115**

(58) **Field of Classification Search**
USPC D8/354; D12/115, 408; 224/400-401, 224/412, 419, 422-426, 441, 443, 224/447-451, 42.11, 309, 319, 324, 924, 224/331
CPC B62J 11/00; B62J 7/08; B62J 7/04; B62H 3/08

See application file for complete search history.

(56) **References Cited**

U.S. PATENT DOCUMENTS

D315,122 S *	3/1991	Schramm	D12/115
D359,466 S *	6/1995	Eggers	D12/115
D395,592 S *	6/1998	Clavel	D8/354
D653,193 S *	1/2012	Chisholm	D12/408

OTHER PUBLICATIONS

Fat Bike Rack Adapter on Amazon, posted on amazon.com, posting date not given, [online], [site visited Nov. 21, 2016]. Available from

Internet, <URL: <https://www.amazon.com/FatBikeRackAdapterFATDAPTER/dp/B01IFPFVK0>>.*
Fatbike Rack Adapter—Sale, posted on fatdapter.com, posting date not given, [online], [site visited Nov. 21, 2016]. Available from Internet, <URL: <https://www.fatdapter.com/shop-fat-bike-rack-adapter/fatbike-thru-axle-adapter-142-150-fork-mount>>.*
Fork Up on Amazon, posted on amazon.com, posted Oct. 21, 2012, [online], [site visited Nov. 21, 2016]. Available from Internet, <URL: https://www.amazon.com/Hurricane%2%ADComponents%C2%AD135mm%C2%ADAdaptor%C2%ADNon%C2%ADOffset/dp/B00A9A1GZ4/ref=pd_sbs_468_t_1?_encoding=UTF8&psc=1&refRID=1BS5%E2%80%A6>.*

* cited by examiner

Primary Examiner — Caron D Veynar
Assistant Examiner — Maria Edwards

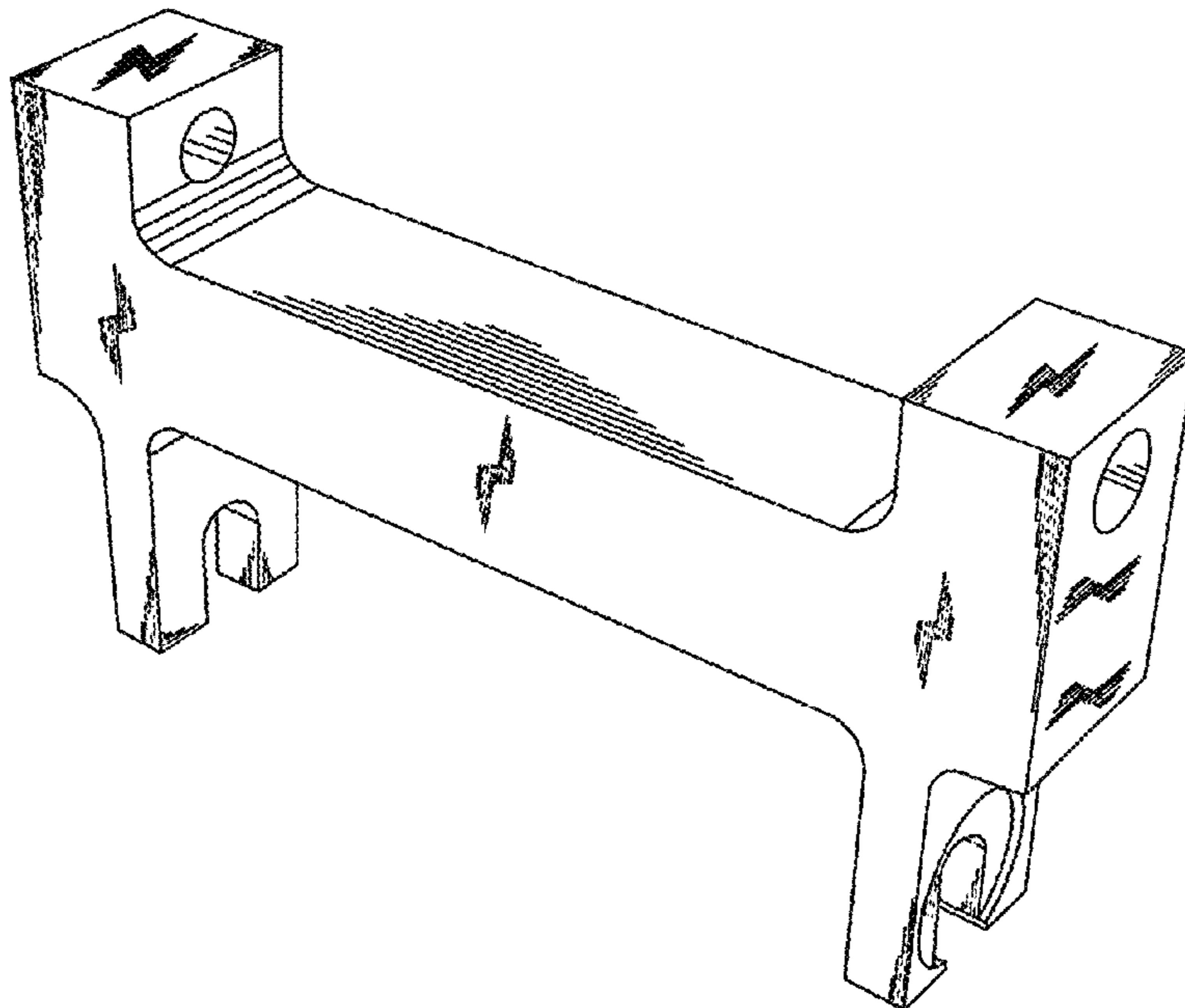
(57) **CLAIM**

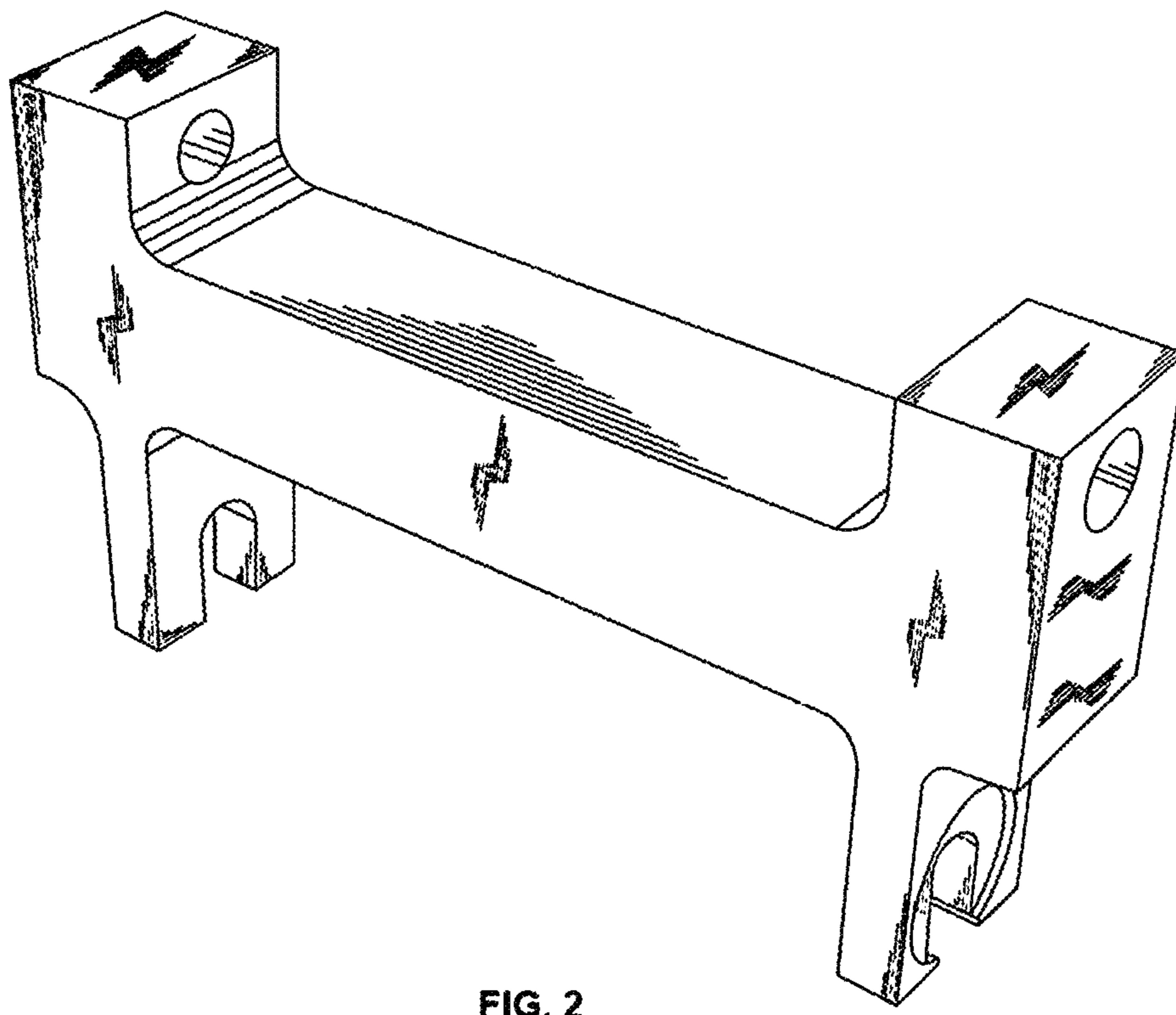
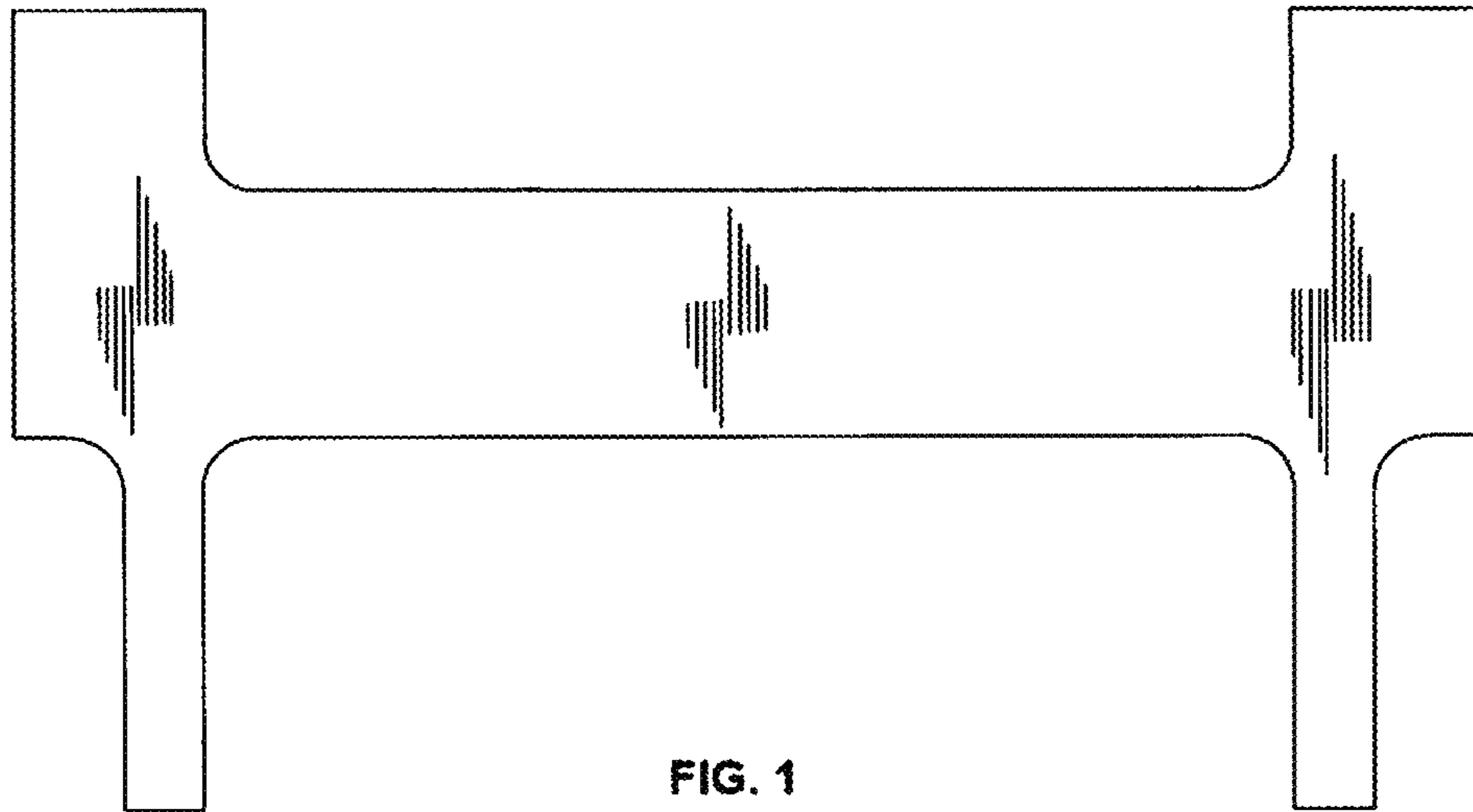
The ornamental design for a bicycle rack adapter, as shown and described.

DESCRIPTION

FIG. 1 is a front view of a bicycle rack adapter showing the new design, the rear view being a mirror image of the front; FIG. 2 is a front, top-right perspective view thereof; FIG. 3 is a left side view thereof, the right side view being a mirror image of the left side view; FIG. 4 is a top plan view thereof; FIG. 5 is a bottom plan view thereof; FIG. 6 is a front right perspective view thereof, the rear right perspective view being a mirror image of the front right perspective view; and, FIG. 7 is a front, bottom-right perspective view thereof. An ornamental design for a bicycle rack adaptor for securing and/or transporting a bicycle is disclosed herein.

1 Claim, 4 Drawing Sheets





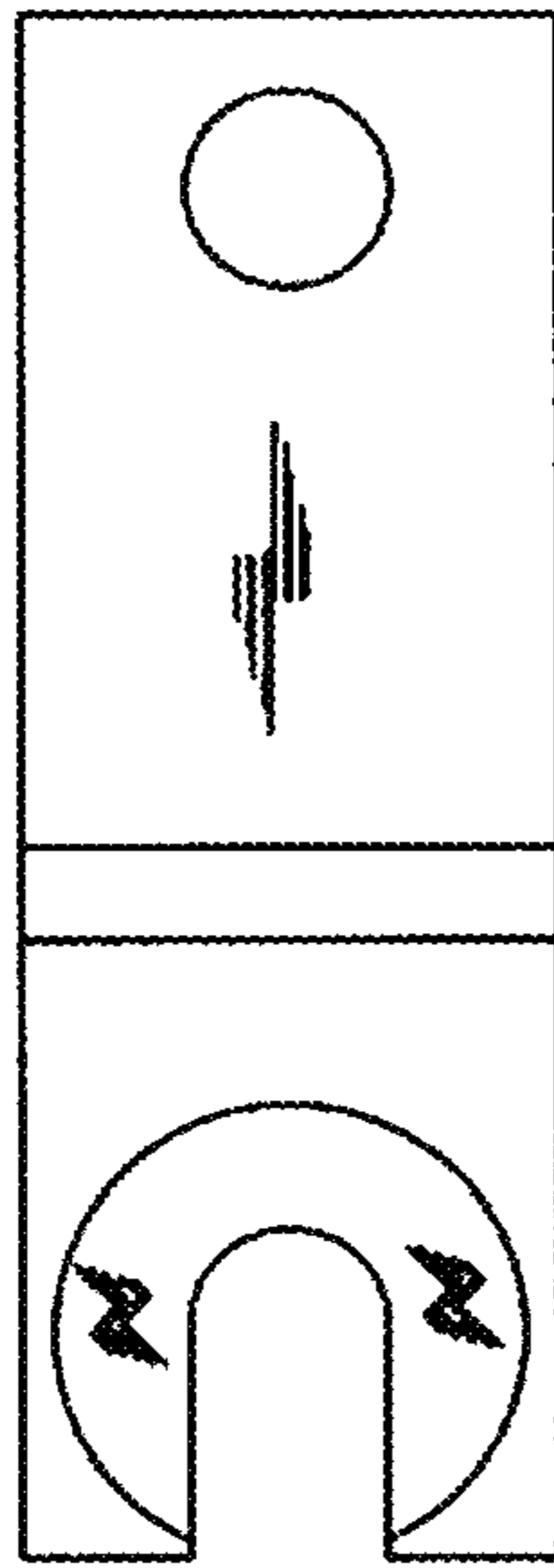


FIG. 3



FIG. 4

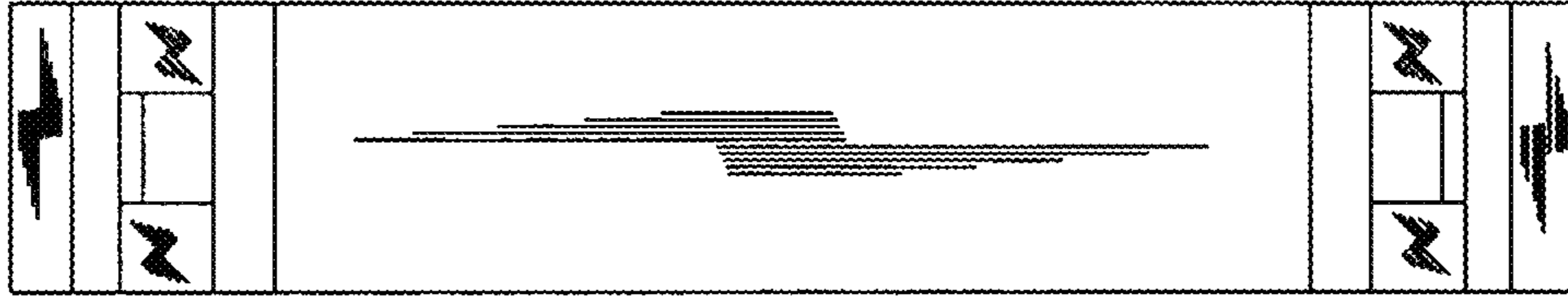


FIG. 5

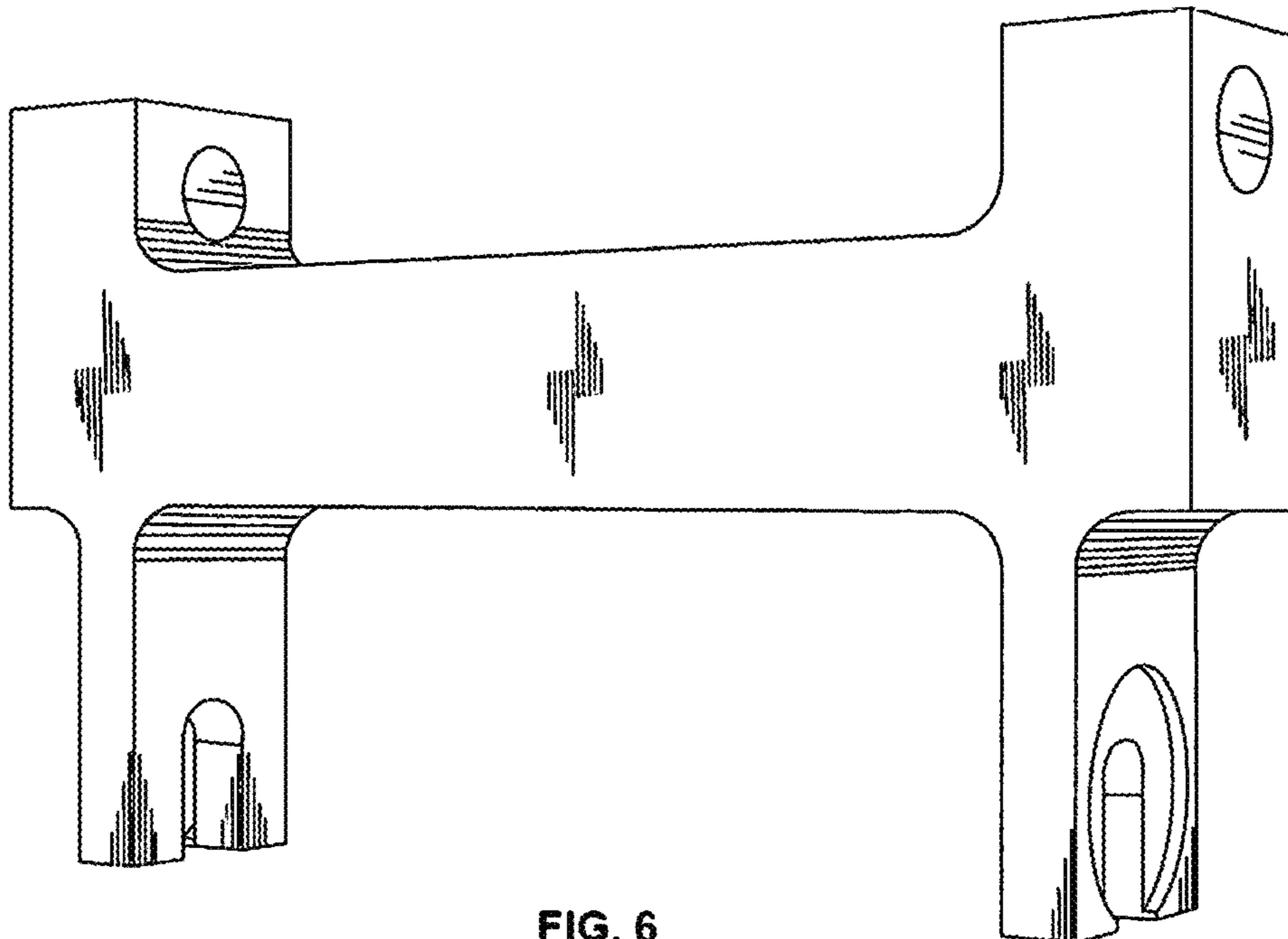


FIG. 6

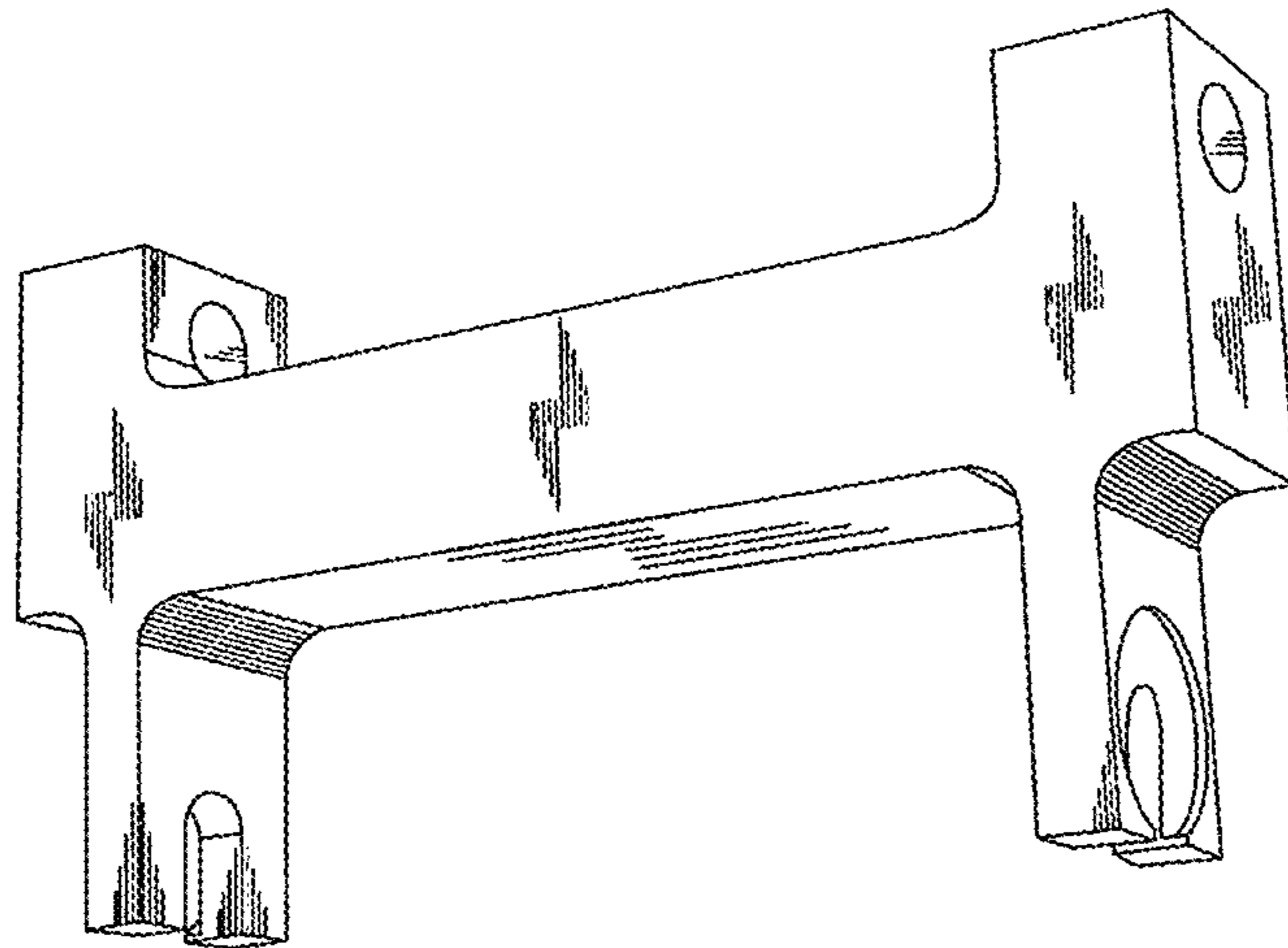


FIG. 7