



US00D792285S

(12) **United States Design Patent**
Manzoni et al.

(10) **Patent No.:** **US D792,285 S**
(45) **Date of Patent:** **** Jul. 18, 2017**

(54) **CAR, TOY REPLICA AND/OR OTHER REPLICAS**

(71) Applicant: **Ferrari S.p.A.**, Modena (IT)

(72) Inventors: **Flavio Manzoni**, Maranello (IT); **Marc Poulain**, Modena (IT)

(73) Assignee: **Ferrari S.p.A.**, Modena (IT)

(**) Term: **15 Years**

(21) Appl. No.: **29/556,304**

(22) Filed: **Feb. 29, 2016**

(30) **Foreign Application Priority Data**

Jan. 29, 2016 (EM) 002965046
Jan. 29, 2016 (EM) 002965053

(51) **LOC (10) Cl.** **12-08**

(52) **U.S. Cl.**
USPC **D12/88; D12/92**

(58) **Field of Classification Search**
USPC D12/86, 90-92, 88; D21/421, 433, 434;
296/181.1, 181.5
CPC B62D 35/00; B62D 25/00; B62D 25/06;
B62D 33/00
See application file for complete search history.

(56) **References Cited**

U.S. PATENT DOCUMENTS

D528,041 S * 9/2006 Costa D12/88
D576,918 S * 9/2008 Taylor D12/88

D577,314 S * 9/2008 Taylor D12/88
D597,442 S * 8/2009 Steinhauser D12/88
D610,949 S * 3/2010 Tombazis D12/88
D630,552 S * 1/2011 Tombazis D12/88
D665,306 S * 8/2012 Tombazis D12/88
D707,590 S * 6/2014 Bowlby D12/88
D710,252 S * 8/2014 Tombazis D12/88
D714,188 S * 9/2014 Bowlby D12/88
D727,208 S * 4/2015 Allison D12/88
D774,946 S * 12/2016 Allison D12/88

* cited by examiner

Primary Examiner — Melody N Brown

(74) *Attorney, Agent, or Firm* — Cowan, Liebowitz & Latman P.C.

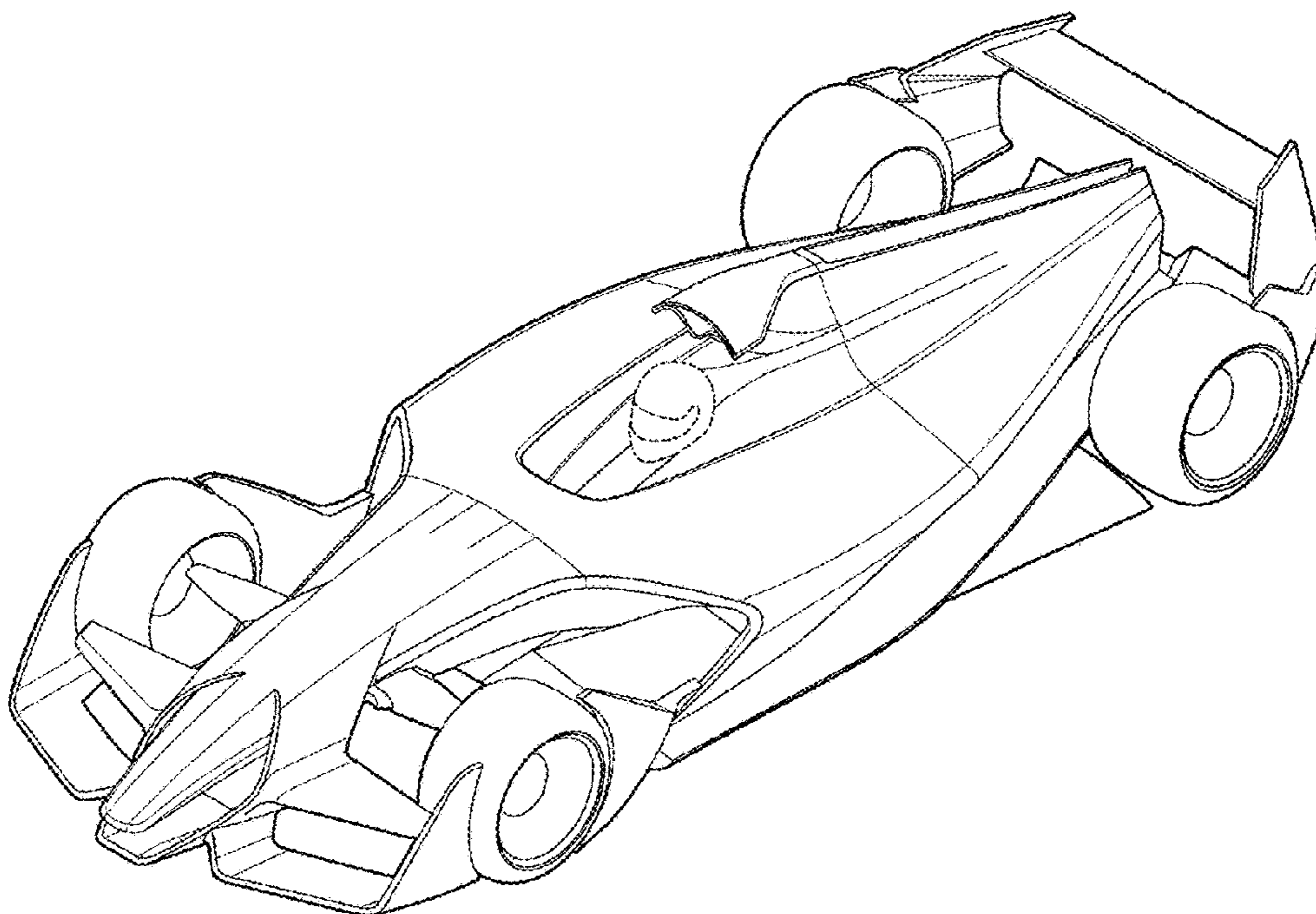
(57) **CLAIM**

The ornamental design for a car, toy replica and/or other replicas, as shown and described.

DESCRIPTION

FIG. 1 is a front perspective view of a car, toy replica and/or other replicas showing our new design;
FIG. 2 is a rear perspective view of thereof;
FIG. 3 is a front view thereof;
FIG. 4 is a rear view thereof;
FIG. 5 is a side view thereof, the opposite side a mirror image of that side shown; and,
FIG. 6 is a top plan view thereof.
The broken lines shown throughout the drawing are for illustrative purposes only and form no part of the claimed design.

1 Claim, 6 Drawing Sheets



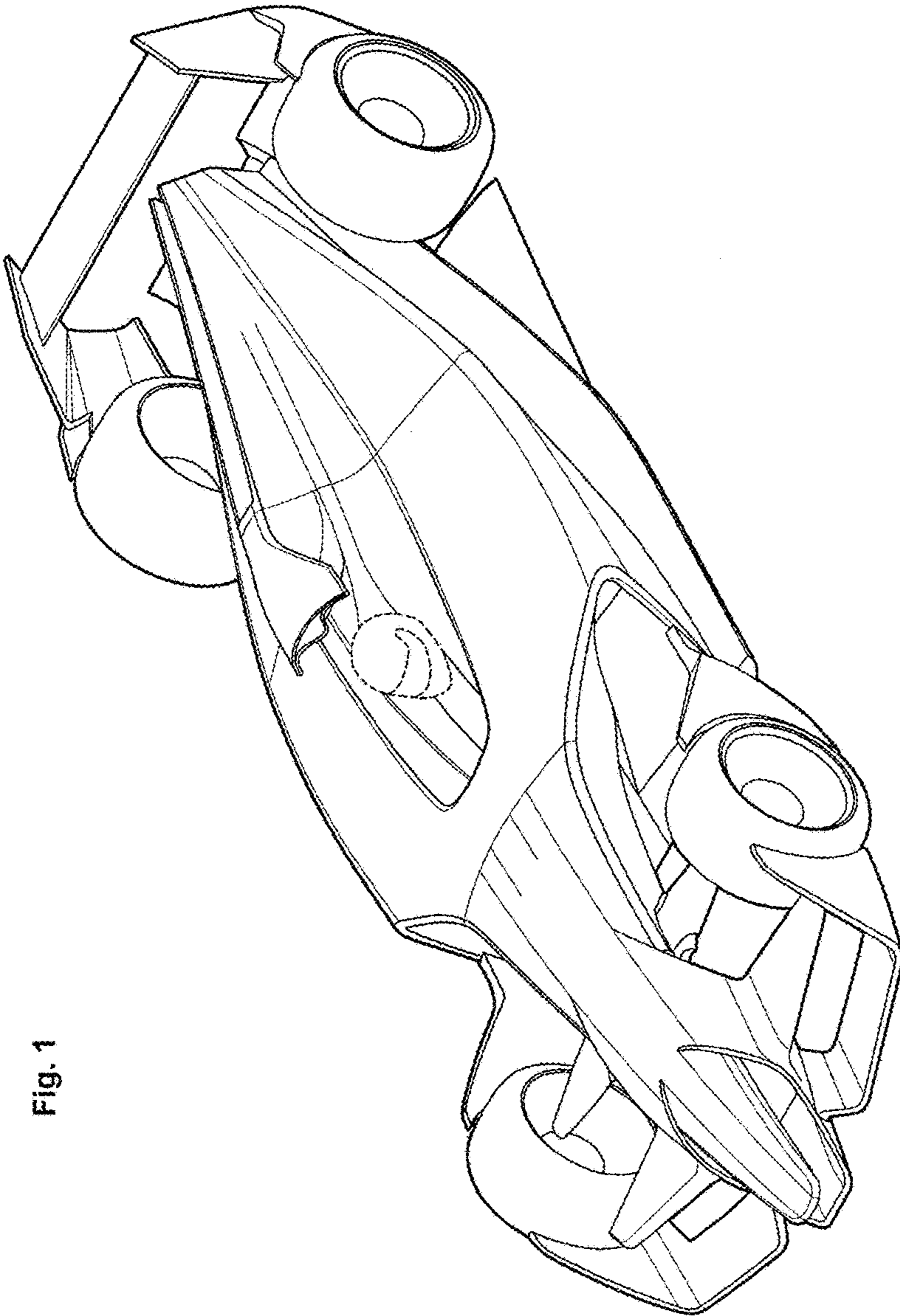


Fig. 1

Fig. 2

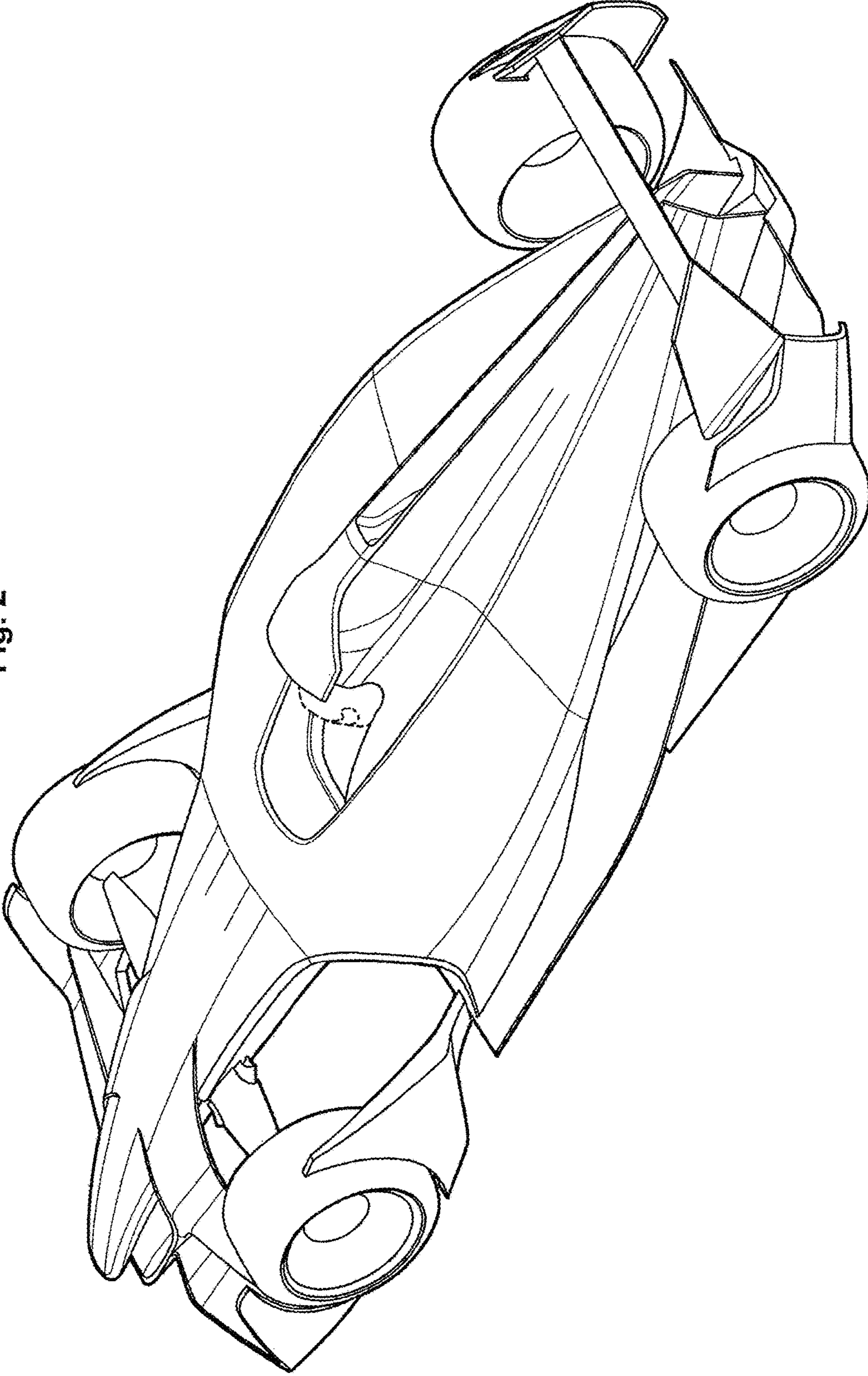


Fig. 3

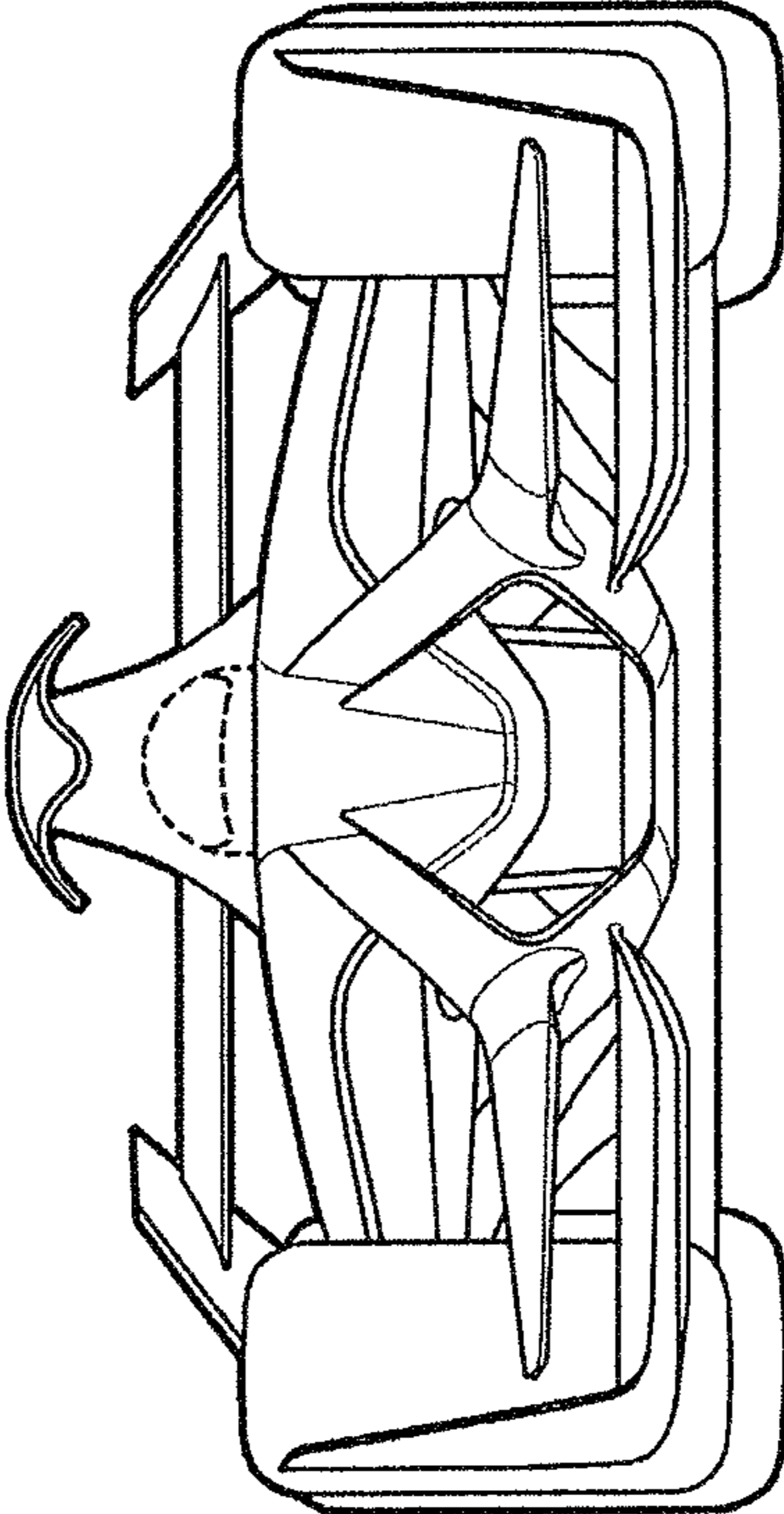


Fig. 4

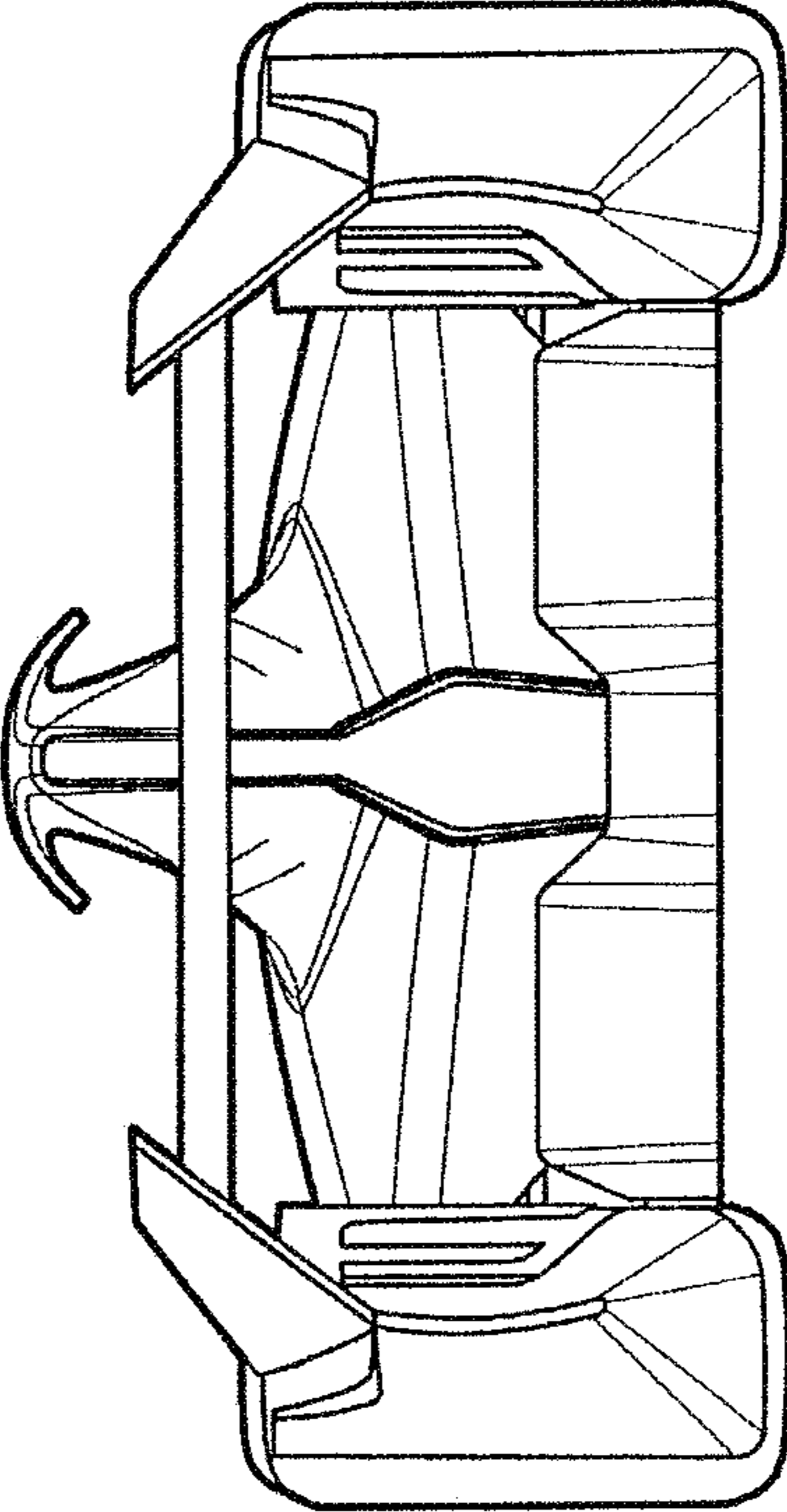


Fig. 5

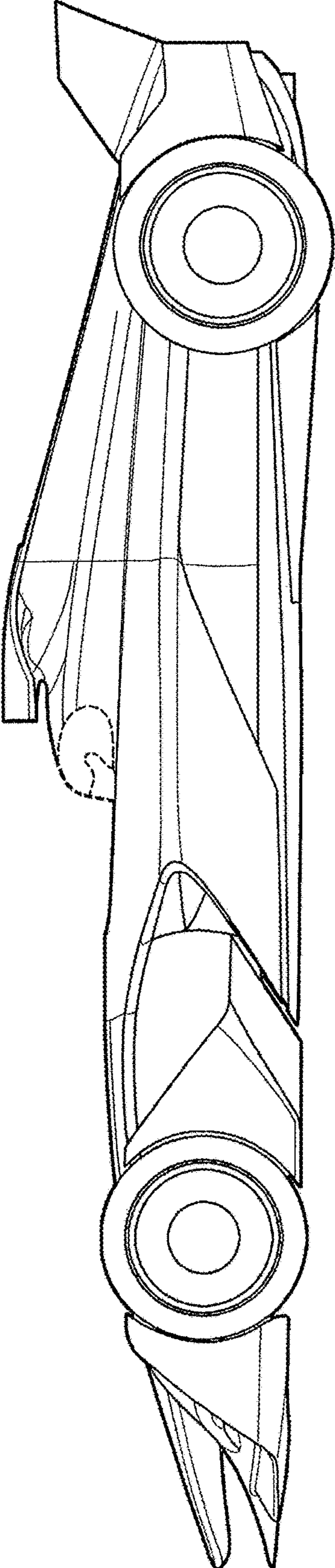


Fig. 6

