



US00D792284S

(12) **United States Design Patent** (10) **Patent No.:** **US D792,284 S**
Arrighi et al. (45) **Date of Patent:** **** Jul. 18, 2017**

(54) **TURRET FOR A COMBAT VEHICLE**
(71) Applicant: **OTO Melara S.p.A.**, La Spezia (IT)
(72) Inventors: **Paolo Arrighi**, La Spezia (IT); **Lorenzo Moroni**, La Spezia (IT)
(73) Assignee: **OTO MELARA S.P.A.**, La Spezia (IT)
(**) Term: **14 Years**
(21) Appl. No.: **29/479,053**
(22) Filed: **Jan. 10, 2014**

(30) **Foreign Application Priority Data**
Jul. 10, 2013 (EM) 002271981
(51) **LOC (10) Cl.** **12-13**
(52) **U.S. Cl.**
USPC **D12/12**
(58) **Field of Classification Search**
USPC D12/1, 12, 14, 15; D21/539, 556, 557,
D21/559, 562; 180/89.1, 89.12, 232, 242,
180/449, 9.1; D15/23, 24, 25, 33, 199;
446/88, 430, 433, 470, 429, 465, 175;
296/24.4; 89/36.08, 36.13, 41.02
See application file for complete search history.

(56) **References Cited**
U.S. PATENT DOCUMENTS
D244,922 S * 7/1977 Longeau D12/12
D275,271 S * 8/1984 LeBlanc D12/12
4,860,633 A * 8/1989 Wiethoff et al. 89/45

4,947,728 A * 8/1990 Muhlhausen et al. 89/46
D311,040 S * 10/1990 Kunihiro D21/631
D315,535 S * 3/1991 Lockhart D12/12
5,105,716 A * 4/1992 Hahn et al. 89/36.13
5,285,714 A * 2/1994 Sprafke 89/37.03
D354,721 S * 1/1995 Bortoli et al. D12/12
5,392,687 A * 2/1995 Shiells 89/36.17
5,600,491 A * 2/1997 Hull et al. 359/698
D712,786 S * 9/2014 Burkatovskiy D12/12
2003/0051599 A1 * 3/2003 Lundqvist et al. 89/37.03
2005/0072295 A1 * 4/2005 Sulm et al. 89/36.08
2012/0132782 A1 * 5/2012 Germent 248/562
2013/0062486 A1 * 3/2013 Shmargad 248/220.41

* cited by examiner

Primary Examiner — T. Chase Nelson
Assistant Examiner — Ania Aman

(74) *Attorney, Agent, or Firm* — Merchant & Gould P.C.

(57) **CLAIM**

The ornamental design for a turret for a combat vehicle, as shown and described.

DESCRIPTION

FIG. 1 is a front elevational view showing our design;
FIG. 2 is a right side elevational view thereof;
FIG. 3 is a top view thereof;
FIG. 4 is a left side elevation view thereof with the barrel lowered;
FIG. 5 is a bottom plan view thereof; and,
FIG. 6 is a rear elevational view thereof.
The portions shown in broken lines form no part of the claimed design.

1 Claim, 6 Drawing Sheets

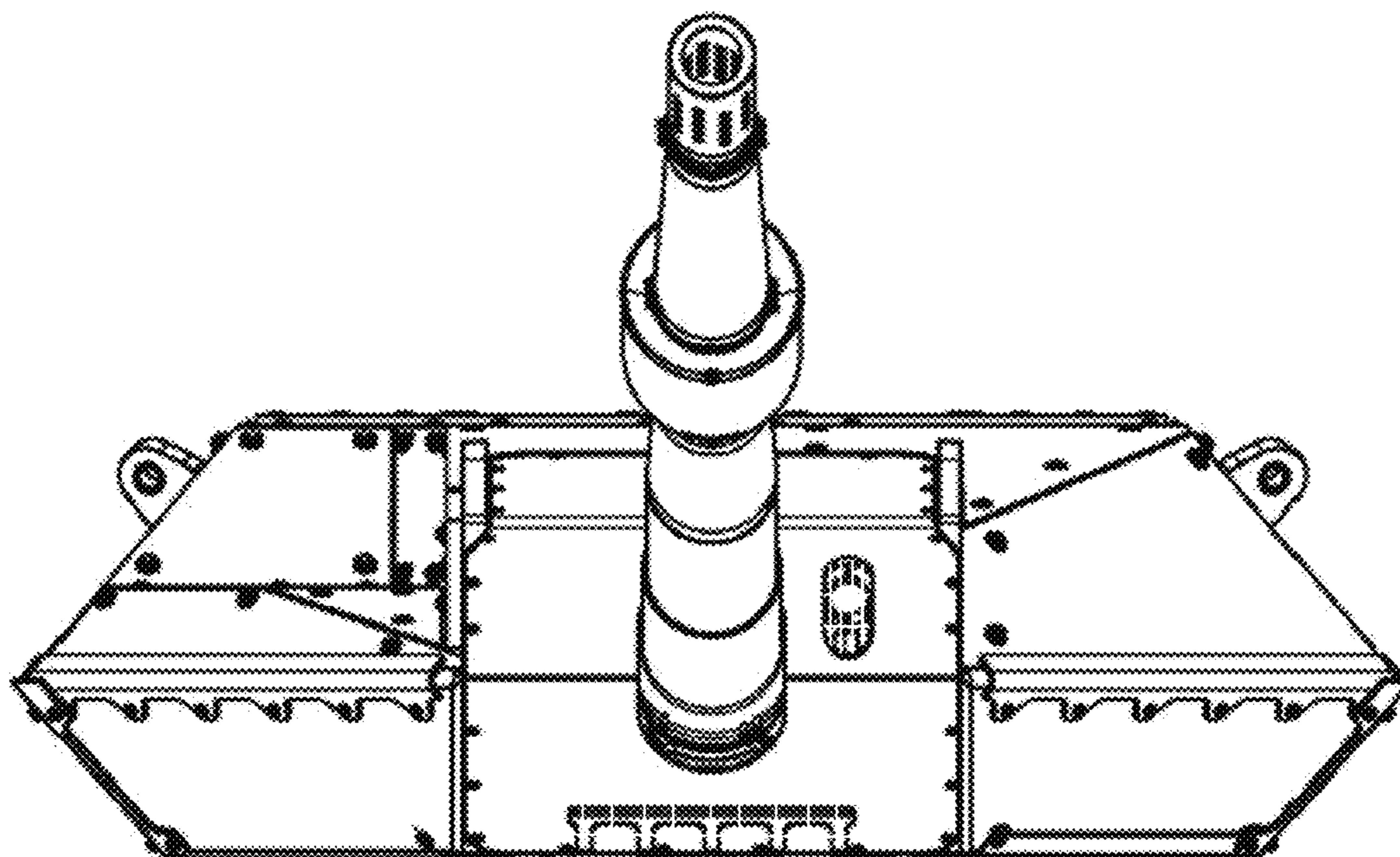
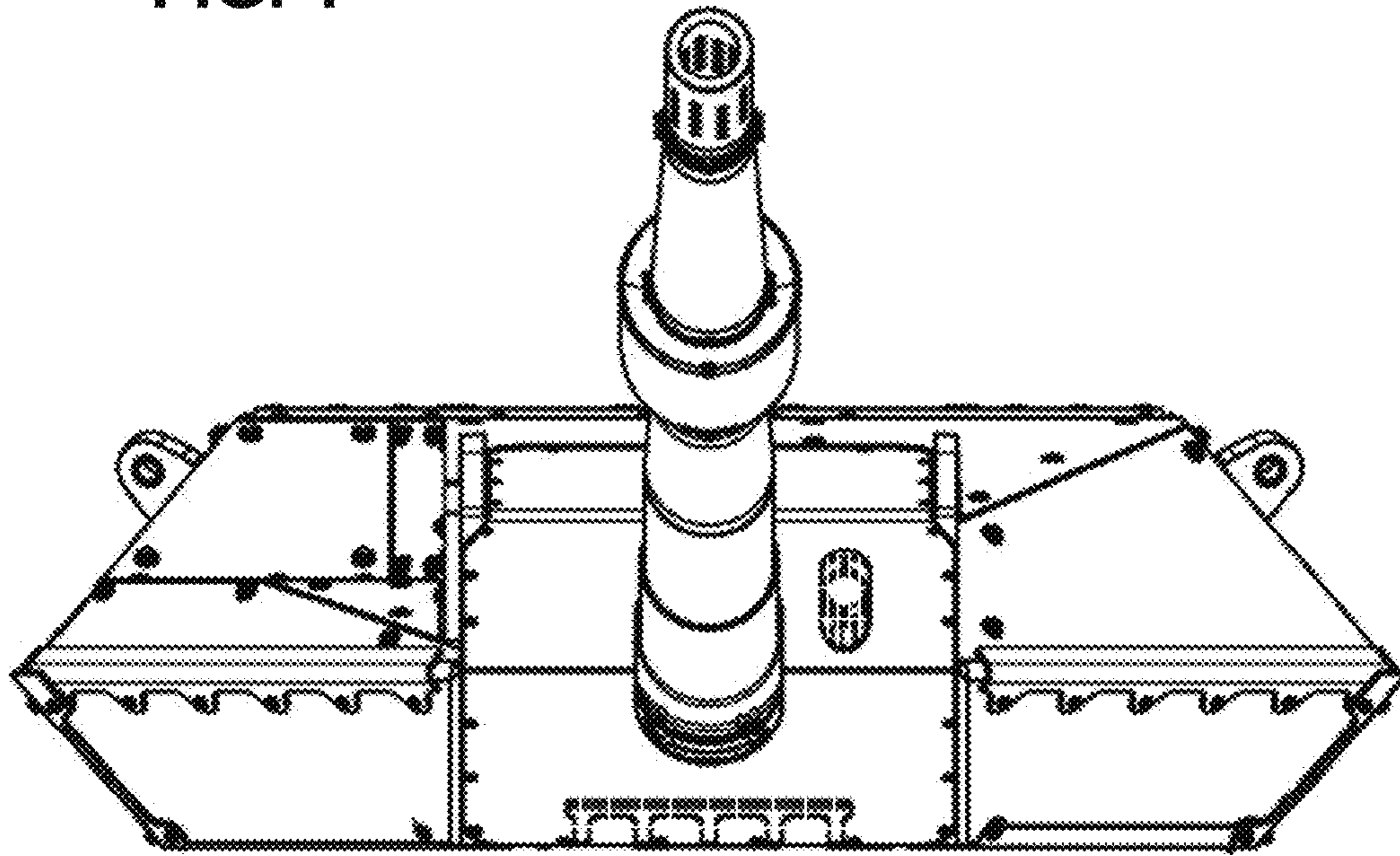


FIG. 1



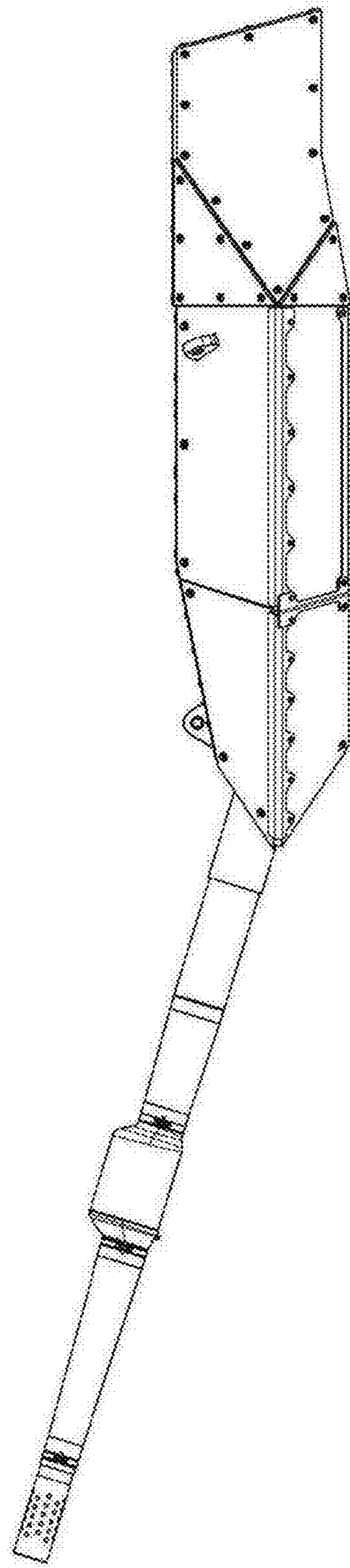


FIG. 2

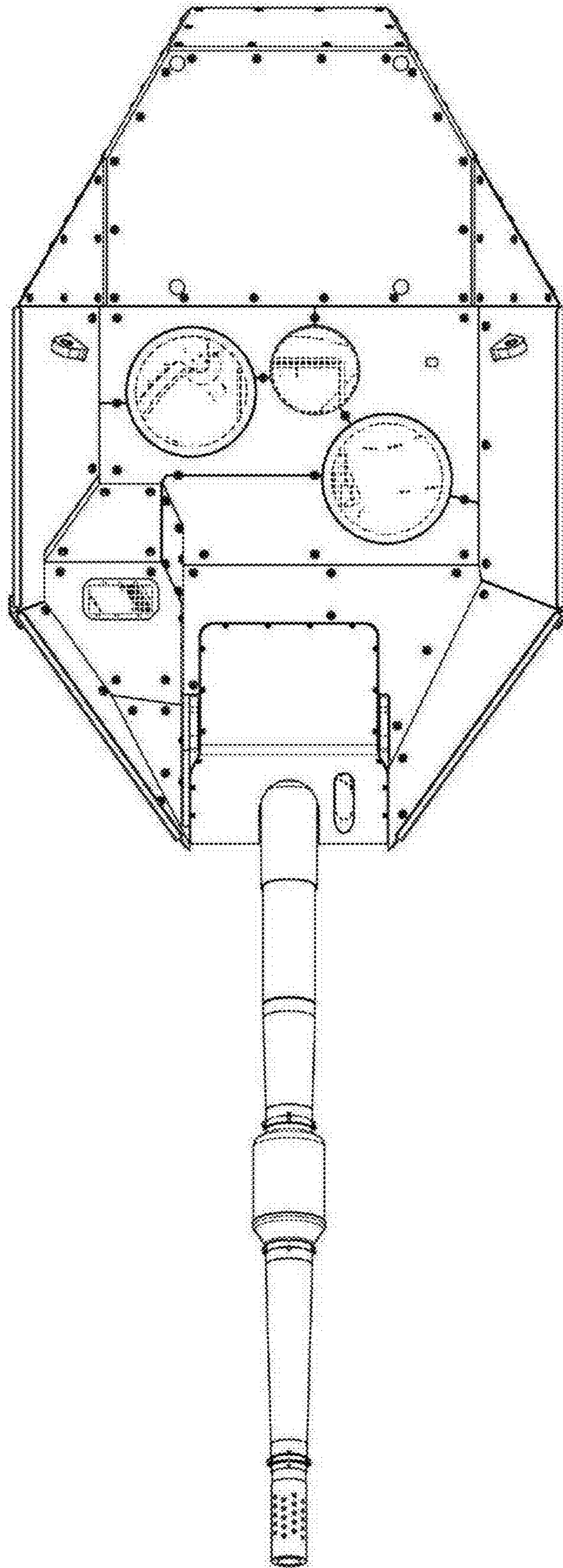


FIG. 3

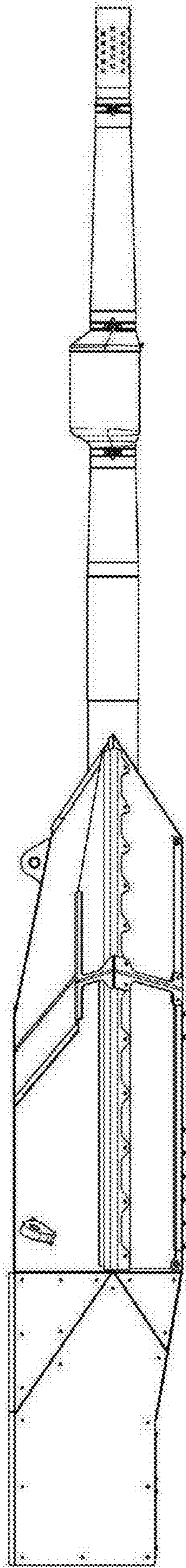


FIG. 4

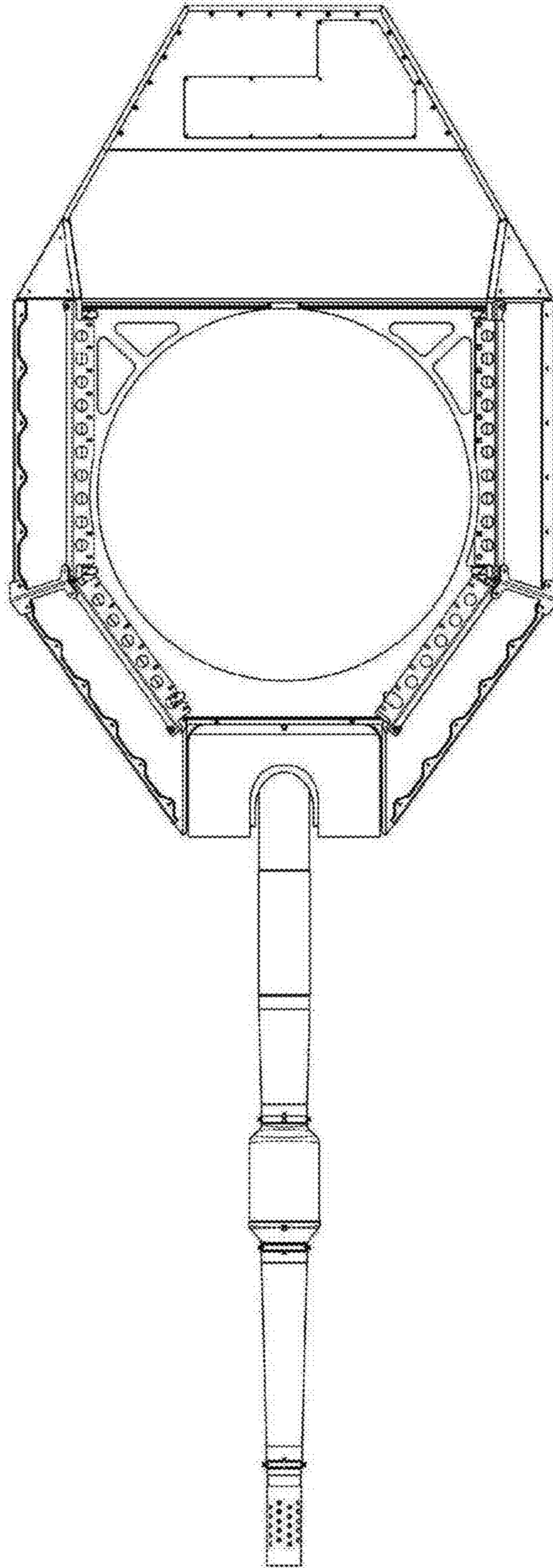


FIG. 5

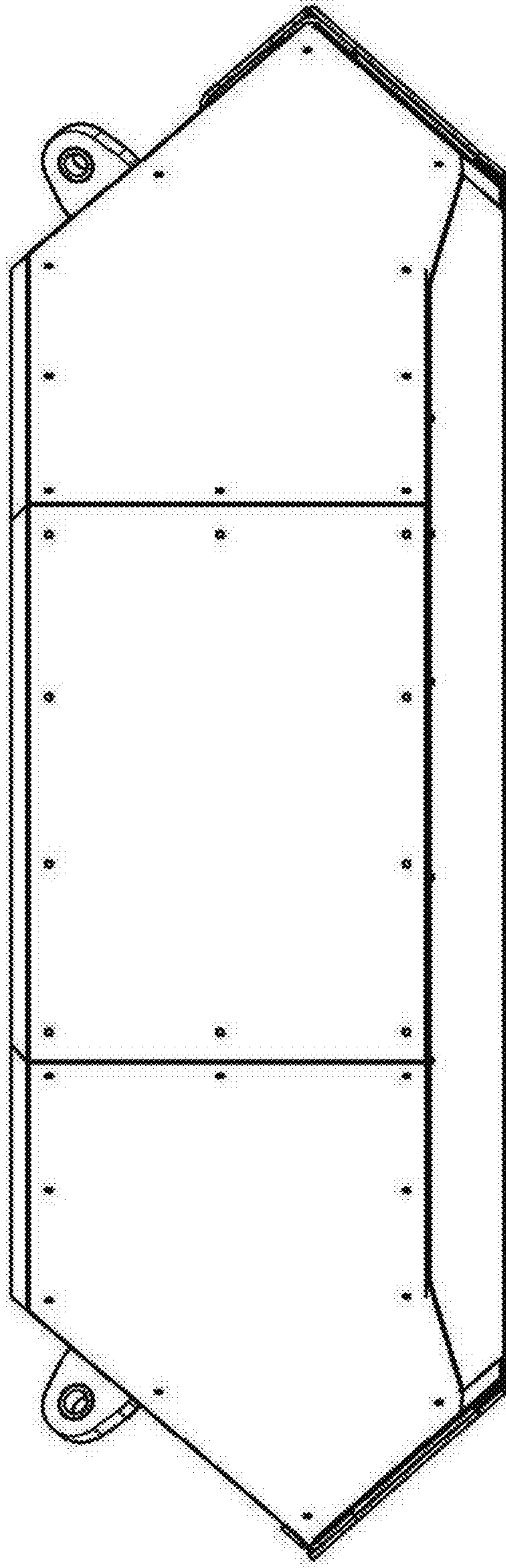


FIG. 6