



US00D792278S

(12) **United States Design Patent**
Jacobson

(10) **Patent No.:** **US D792,278 S**

(45) **Date of Patent:** **** Jul. 18, 2017**

- (54) **TAXIDERMY MOUNT**
- (71) Applicant: **Quarter-Circle Plus, LLC**, Nibley, UT (US)
- (72) Inventor: **Landon Jacobson**, Nibley, UT (US)
- (73) Assignee: **Quarter-Circle Plus, LLC**, Nibley, UT (US)
- (**) Term: **15 Years**
- (21) Appl. No.: **29/569,382**
- (22) Filed: **Jun. 27, 2016**
- (51) **LOC (10) Cl.** **11-02**
- (52) **U.S. Cl.**
USPC **D11/164**
- (58) **Field of Classification Search**
USPC D11/132, 143, 164; D6/553, 512, 524, D6/546, 550, 552; D14/253, 432, 217, D14/237; D8/349, 354, 380, 382, 356; 248/686, 689, 690, 671, 674, 447.1, 450, 248/451, 458, 475.1, 122.1, 126, 200, 248/205.1, 220.21
CPC . A47G 1/16; F16B 45/00; F16M 1/00; F16M 2200/08; B44C 5/02
See application file for complete search history.

- (56) **References Cited**
U.S. PATENT DOCUMENTS
D21,627 S * 6/1892 Meeker 248/267
D160,296 S * 10/1950 Crapsey, Jr. D8/356
D253,392 S * 11/1979 Baltare D8/354
D255,626 S * 7/1980 Grube D23/223
D257,564 S * 11/1980 Weast D22/110
D307,541 S * 5/1990 Tres D13/154
5,167,353 A * 12/1992 Hughes B62J 11/00
224/448
D336,675 S * 6/1993 Rubin D22/110

- 5,248,121 A * 9/1993 Harrington A47G 1/162
248/477
- D339,975 S * 10/1993 Bird D23/262
- D344,883 S * 3/1994 Chuang D8/356
- 5,503,497 A * 4/1996 Dudley A63H 33/042
403/103
- 5,582,488 A * 12/1996 Dudley A63H 33/042
16/367
- D427,504 S * 7/2000 Dziejdzic D8/356
- D482,599 S * 11/2003 May D8/356
- D688,984 S * 9/2013 Pirolo D12/114
- D692,620 S * 10/2013 Gendron D29/122
- D702,529 S * 4/2014 Diez Herrera D8/349
- D732,009 S * 6/2015 Bak D14/229
- D738,191 S * 9/2015 Nas D8/349
- D739,853 S * 9/2015 Lee D14/253
- D741,157 S * 10/2015 McGrath D8/382
- D742,213 S * 11/2015 Sasanecki D8/396
- D747,275 S * 1/2016 Rodrigue D13/155
- D776,224 S * 1/2017 Storch D22/108

(Continued)

Primary Examiner — Cathron Brooks
Assistant Examiner — Teddy Falloway
 (74) *Attorney, Agent, or Firm* — Preston P. Frischknecht;
 Project CIP

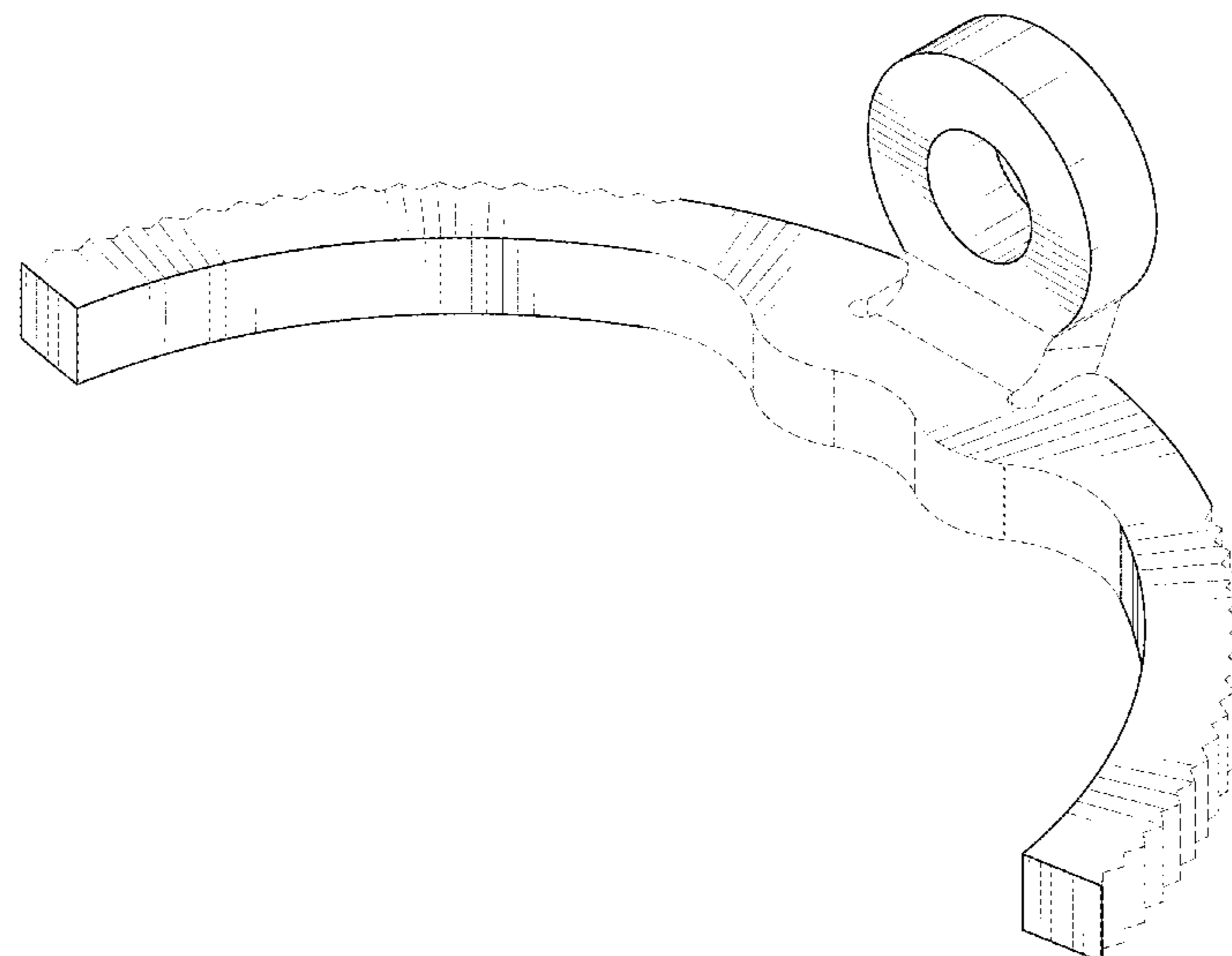
(57) **CLAIM**

The ornamental design for a taxidermy mount, as shown and described.

DESCRIPTION

FIG. 1 is a front isometric view showing the design;
 FIG. 2 is a front view showing the design;
 FIG. 3 is a back view showing the design;
 FIG. 4 is a right side view showing the design;
 FIG. 5 is a left side view showing the design;
 FIG. 6 is a top view showing the design; and,
 FIG. 7 is a bottom view showing the design.
 The broken lines shown in the drawings illustrate portions of the taxidermy mount that form no part of the claimed design.

1 Claim, 7 Drawing Sheets



(56)

References Cited

U.S. PATENT DOCUMENTS

D778,147 S * 2/2017 Huang D8/382
2002/0152921 A1 * 10/2002 Hudson B61K 7/16
104/95
2006/0024144 A1 * 2/2006 Horvath F16B 13/002
411/30
2008/0016712 A1 * 1/2008 Van A45D 20/12
34/283
2016/0155432 A1 * 6/2016 Krol F16M 13/022
248/206.5
2016/0287356 A1 * 10/2016 Bernstein A61C 7/18
2017/0080745 A1 * 3/2017 Nobi B44C 5/02

* cited by examiner

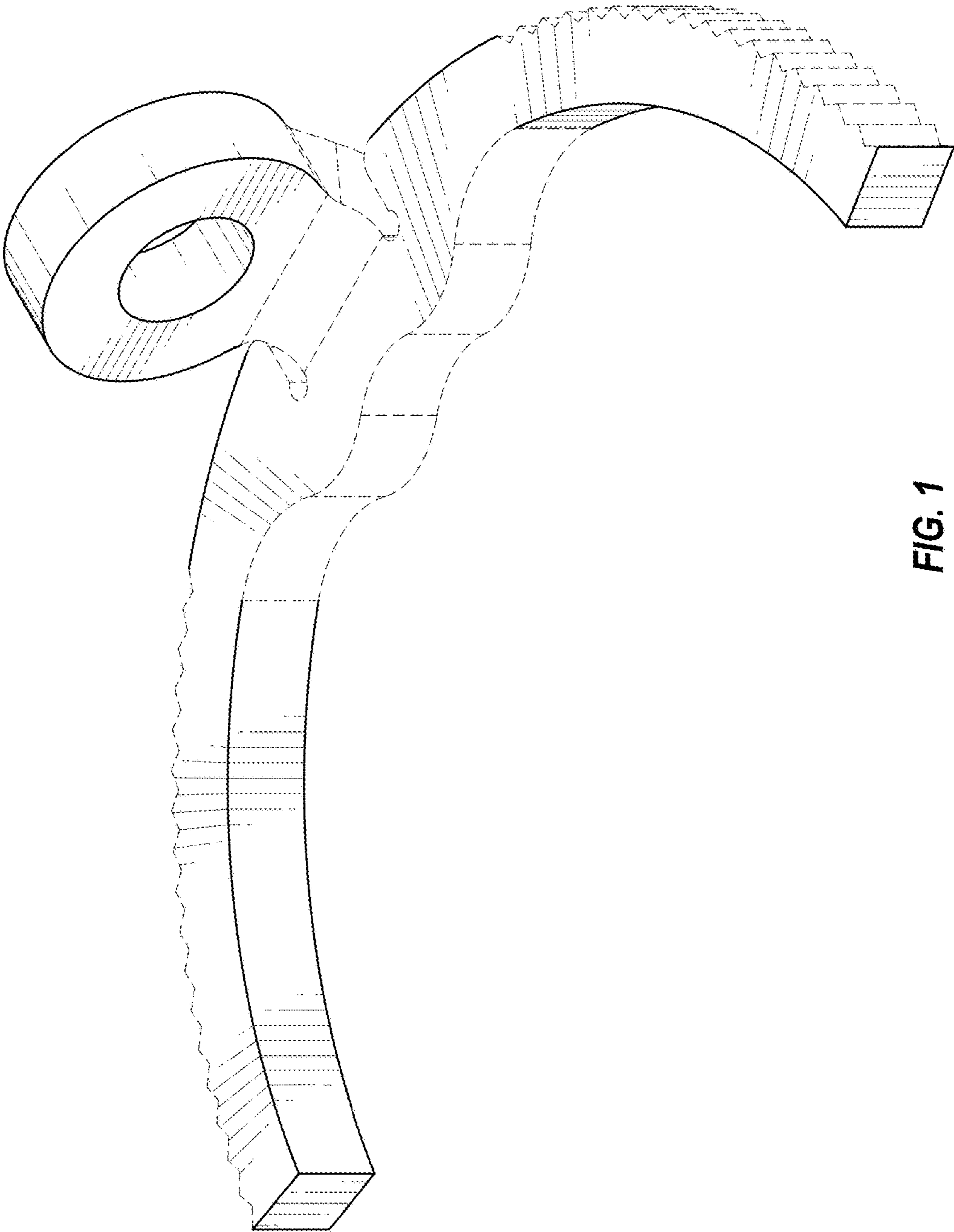


FIG. 1

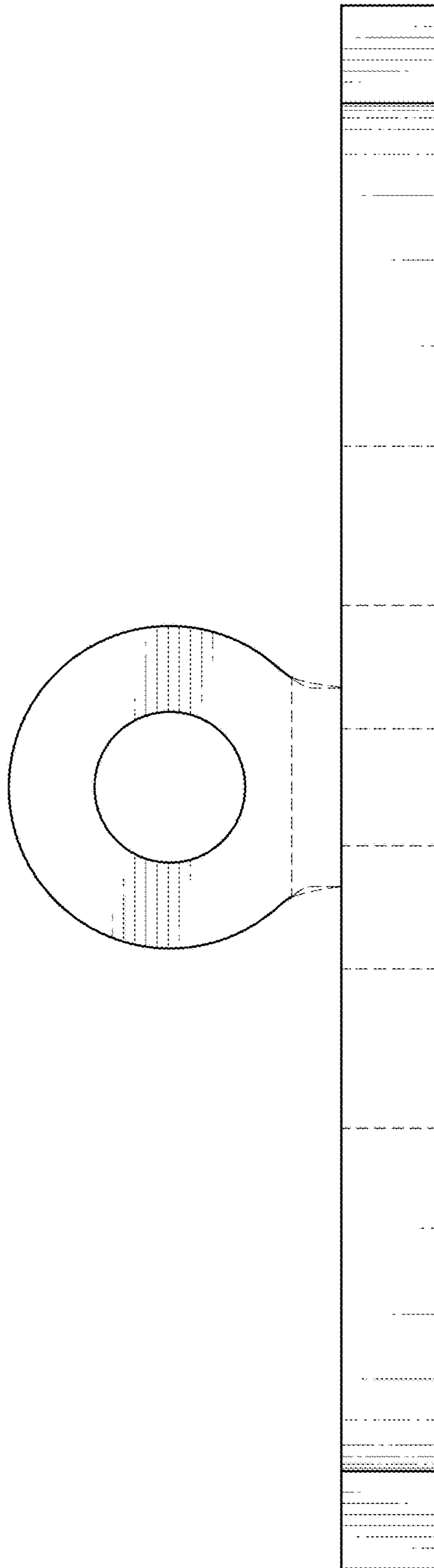


FIG. 2

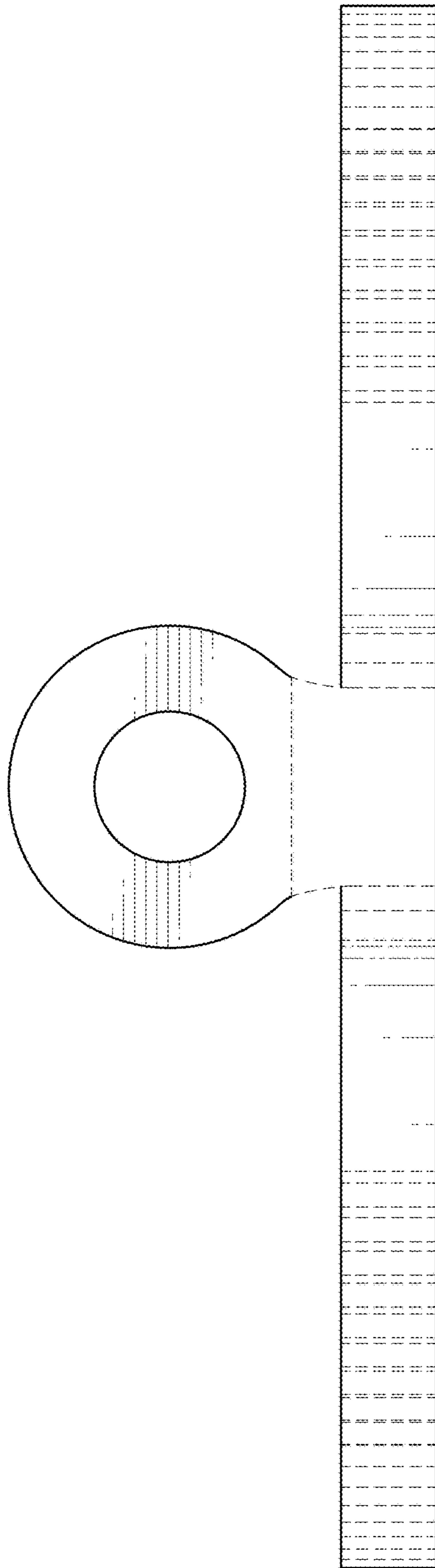


FIG. 3

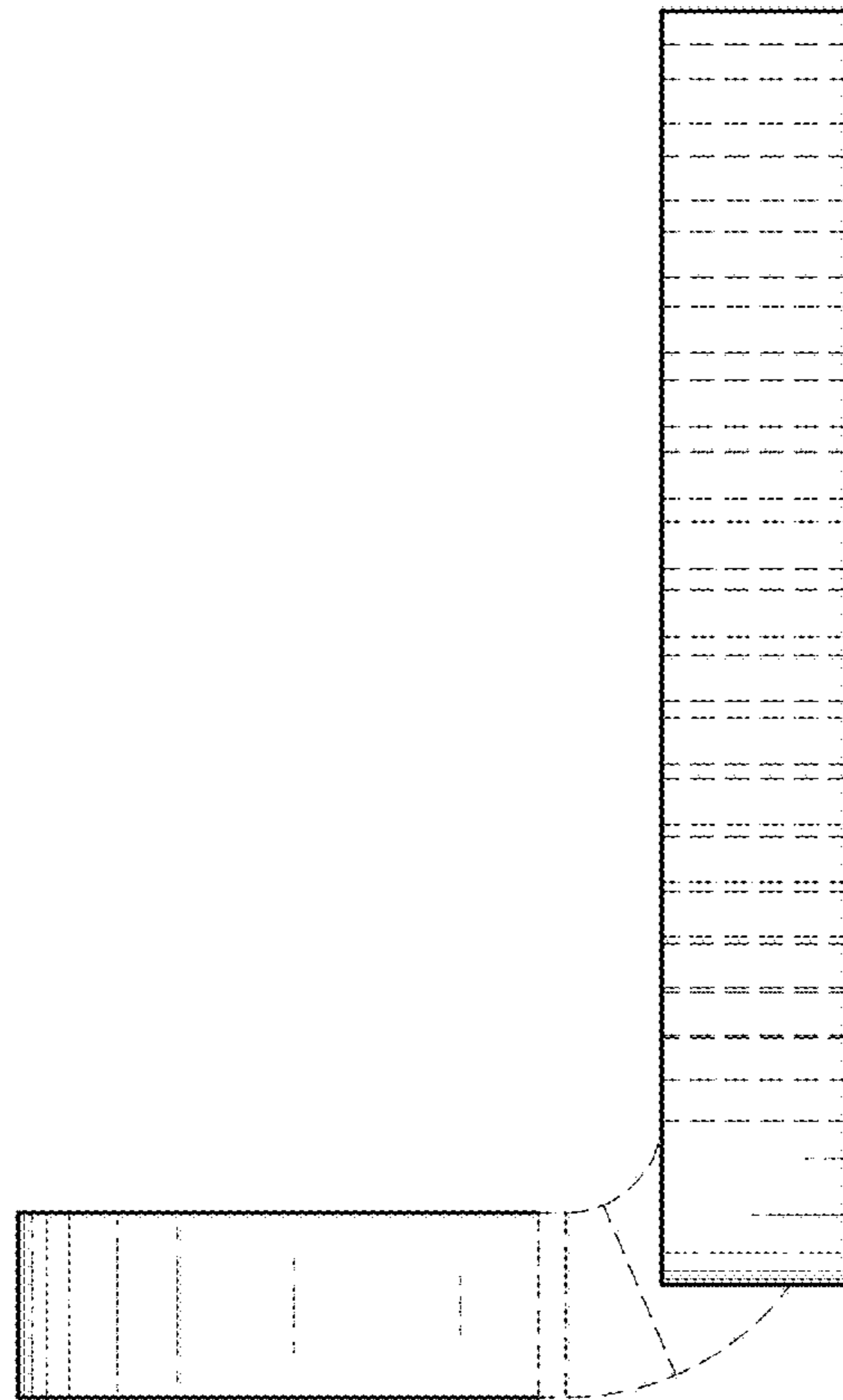


FIG. 4

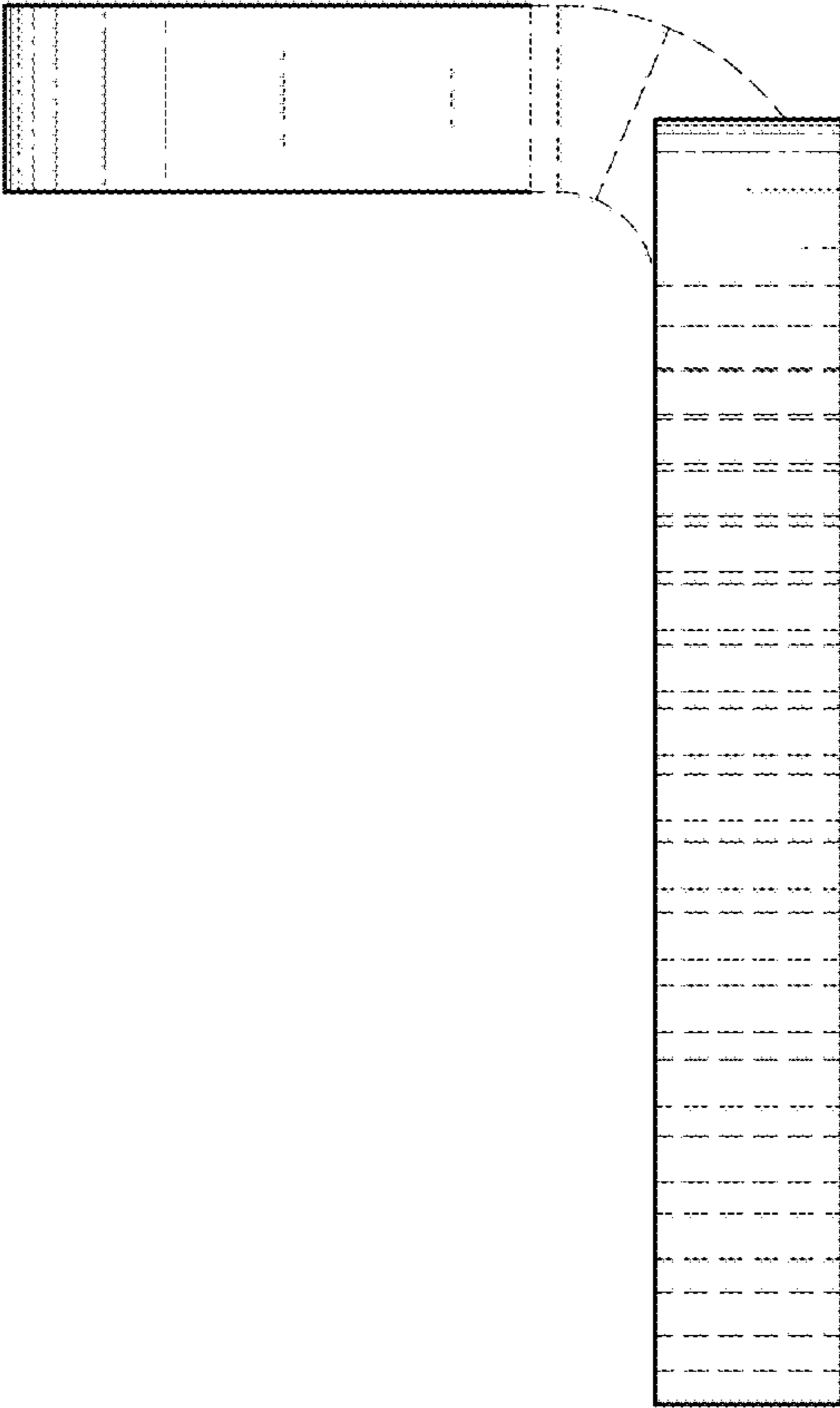


FIG. 5

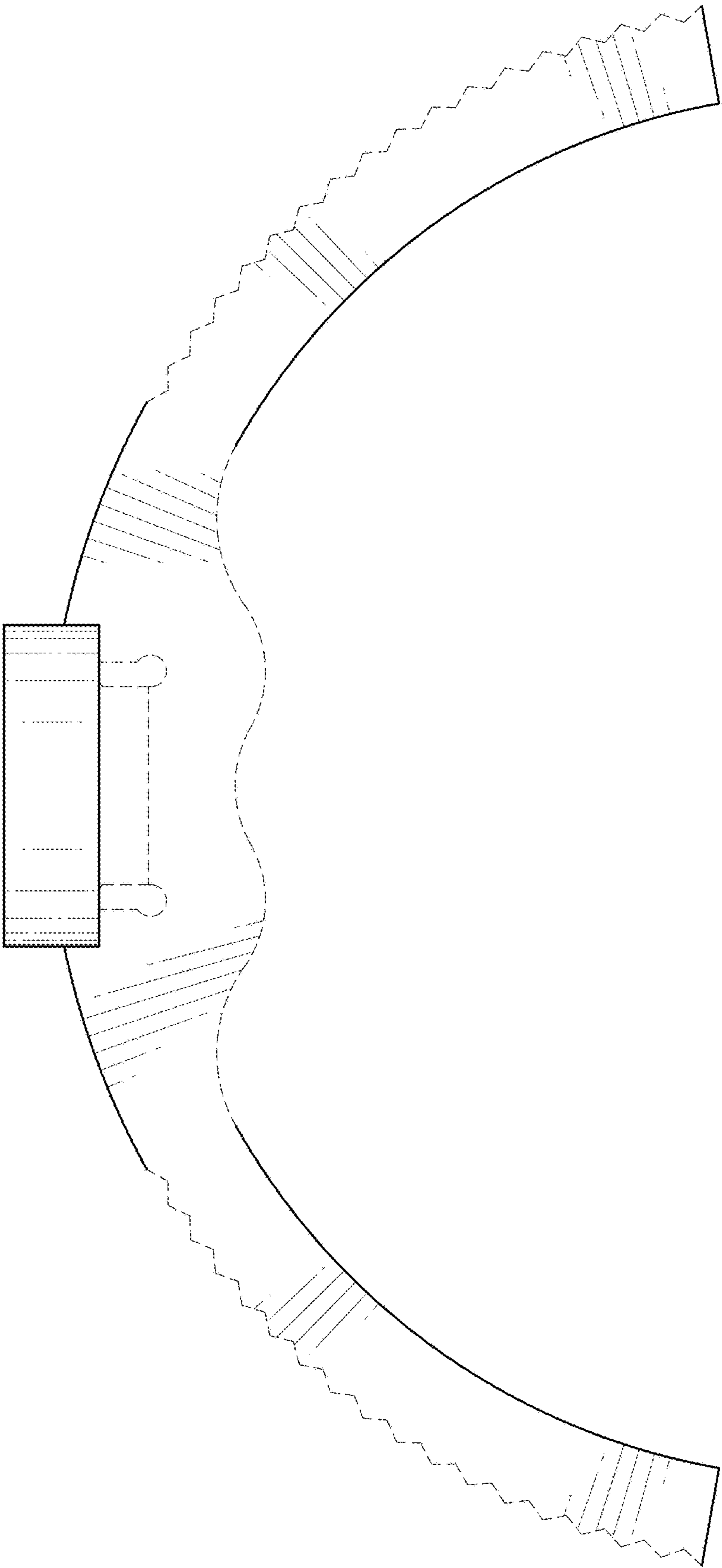


FIG. 6

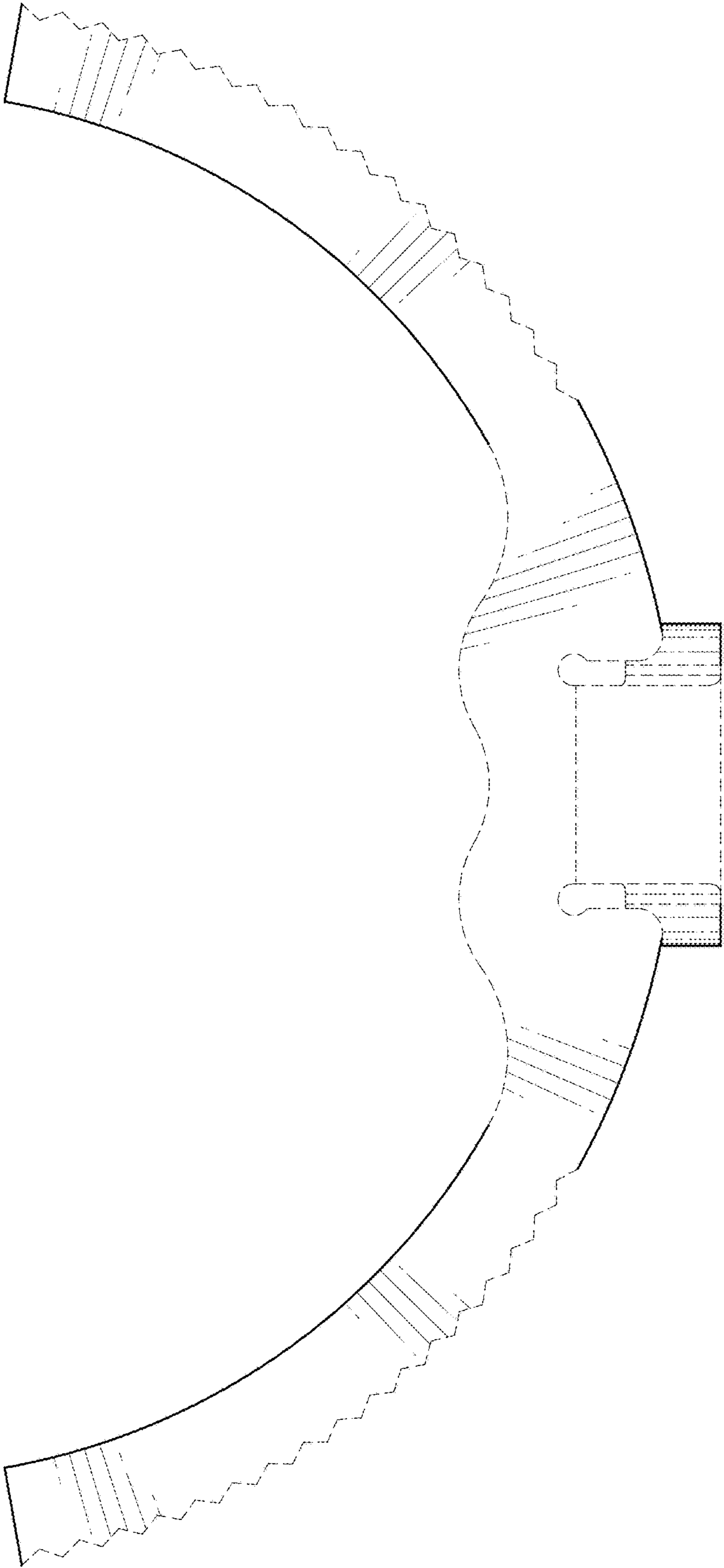


FIG. 7