



US00D792276S

(12) **United States Design Patent**  
**Burnette**

(10) **Patent No.:** **US D792,276 S**  
(45) **Date of Patent:** **\*\* Jul. 18, 2017**

(54) **PLANTER**

(71) Applicant: **Ulysses C. Burnette**, Decatur, GA (US)

(72) Inventor: **Ulysses C. Burnette**, Decatur, GA (US)

(\*\*) Term: **15 Years**

(21) Appl. No.: **29/551,275**

(22) Filed: **Jan. 12, 2016**

(51) **LOC (10) Cl.** ..... **11-02**

(52) **U.S. Cl.**  
USPC ..... **D11/143**

(58) **Field of Classification Search**  
USPC .... D6/403-405, 556-558, 675, 683, 708.16, D6/708.2; D9/428, 545, 643; D11/143-156, 164; D7/701  
CPC . A01G 9/00; A01G 9/02; A01G 9/028; A01G 9/04; A01G 9/042; A01G 9/045; A01G 9/10; A01G 27/005; A01G 27/006; A01G 27/02; A01G 31/00; A01G 31/001; A01G 31/02

See application file for complete search history.

3,545,128 A \* 12/1970 Fontaine ..... A01G 1/08 428/131

D222,553 S \* 11/1971 Robinson ..... D11/152

3,747,268 A \* 7/1973 Linder ..... A01G 9/028 248/539

3,913,918 A \* 10/1975 Trachtman ..... A63F 7/0668 273/126 R

4,040,630 A \* 8/1977 Brattain ..... A63F 9/12 273/157 R

D251,763 S \* 5/1979 Sovey ..... D11/130.1

4,490,075 A 12/1984 Risi et al.

D278,521 S \* 4/1985 Baird ..... D11/143

4,522,006 A \* 6/1985 Plikuhn ..... B27M 3/008 144/350

D290,077 S \* 6/1987 Hansen ..... D7/631

4,708,256 A \* 11/1987 Intardonato ..... A47G 23/06 220/23.4

4,788,792 A \* 12/1988 Womick ..... A47G 7/041 47/41.12

4,815,897 A 3/1989 Risi et al.

(Continued)

*Primary Examiner* — Elizabeth Albert  
(74) *Attorney, Agent, or Firm* — Richard L. Miller

(57) **CLAIM**

The ornamental design for a planter, as shown and described.

(56) **References Cited**

**U.S. PATENT DOCUMENTS**

231,086 A \* 8/1880 Pimley ..... A47G 7/047 47/67

908,338 A \* 12/1908 Sheble ..... B65D 25/04 206/381

986,395 A \* 3/1911 King ..... A01G 1/08 211/126.3

1,499,473 A \* 7/1924 Price ..... A01G 9/02 47/67

2,607,591 A \* 8/1952 Tilley ..... A63F 9/0204 273/342

3,137,095 A \* 6/1964 Pearson ..... A01G 9/023 47/83

3,269,125 A 8/1966 Moore

**DESCRIPTION**

FIG. 1 is a perspective view of a planter showing my new design;

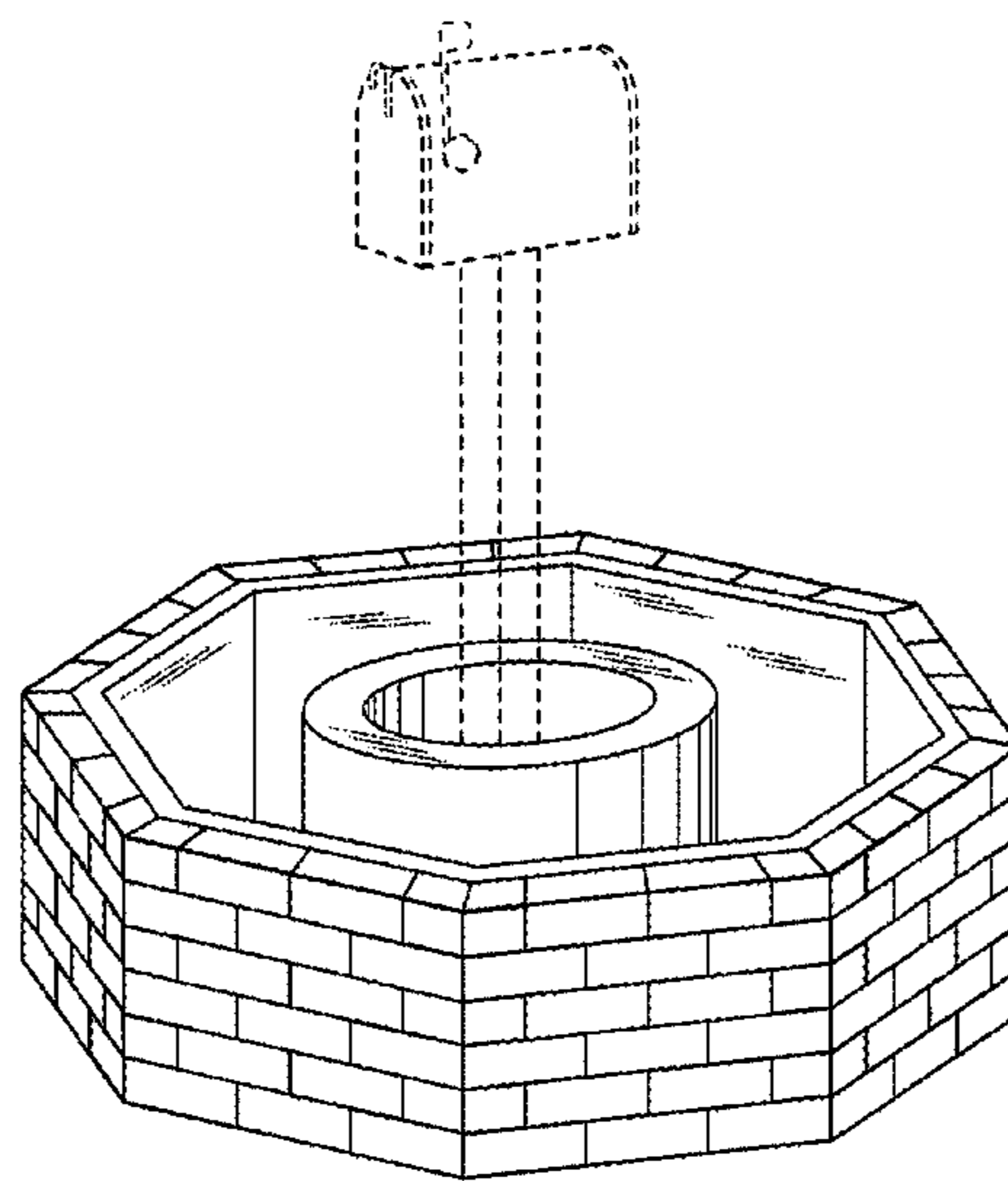
FIG. 2 is a left side view thereof, the right side view, front and back views of the claimed portion of the design being identical to the left side view;

FIG. 3 is a top plan view thereof; and,

FIG. 4 is a cross-sectional view thereof taken on line 4-4 in FIG. 3.

The broken lines in the drawings are included to show features that form no part of the claimed design.

**1 Claim, 4 Drawing Sheets**



(56)

**References Cited**

U.S. PATENT DOCUMENTS

4,905,409 A \* 3/1990 Cole ..... A01G 1/08  
47/33

4,993,206 A 2/1991 Pardo

5,205,432 A \* 4/1993 Gullan ..... B65D 81/3886  
206/459.5

D343,509 S \* 1/1994 Scott, Jr. .... D8/1

5,350,256 A 9/1994 Hammer

D383,417 S \* 9/1997 Davis ..... D11/143

D384,001 S \* 9/1997 Waszkiewicz, III ..... D11/143

D416,214 S \* 11/1999 Conner ..... D11/143

6,085,459 A \* 7/2000 Conner ..... A01G 9/02  
47/41.01

6,299,166 B1 \* 10/2001 Factor ..... A63F 9/0402  
273/146

6,389,742 B1 5/2002 Wuster

D488,741 S \* 4/2004 Moya ..... D11/143

7,131,699 B2 \* 11/2006 Mulmed ..... A47C 11/00  
297/188.01

D555,034 S \* 11/2007 Van de Wetering ..... D11/134

7,303,358 B1 \* 12/2007 Fuller ..... E02B 7/22  
256/31

D652,462 S \* 1/2012 Sun ..... D21/300

D706,163 S \* 6/2014 Roth ..... D11/152

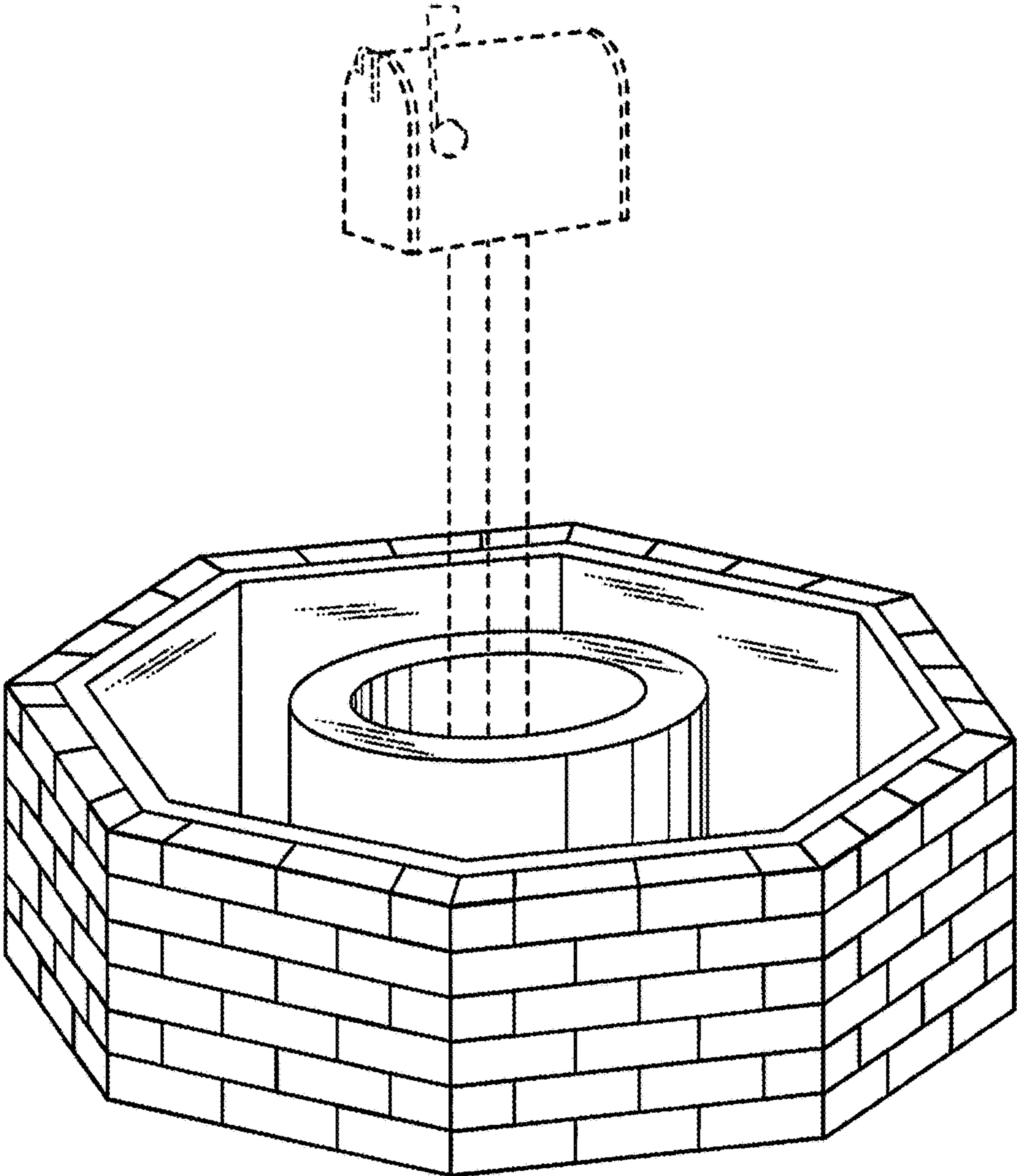
8,839,555 B2 9/2014 Wang

D714,596 S \* 10/2014 Forno ..... D8/1

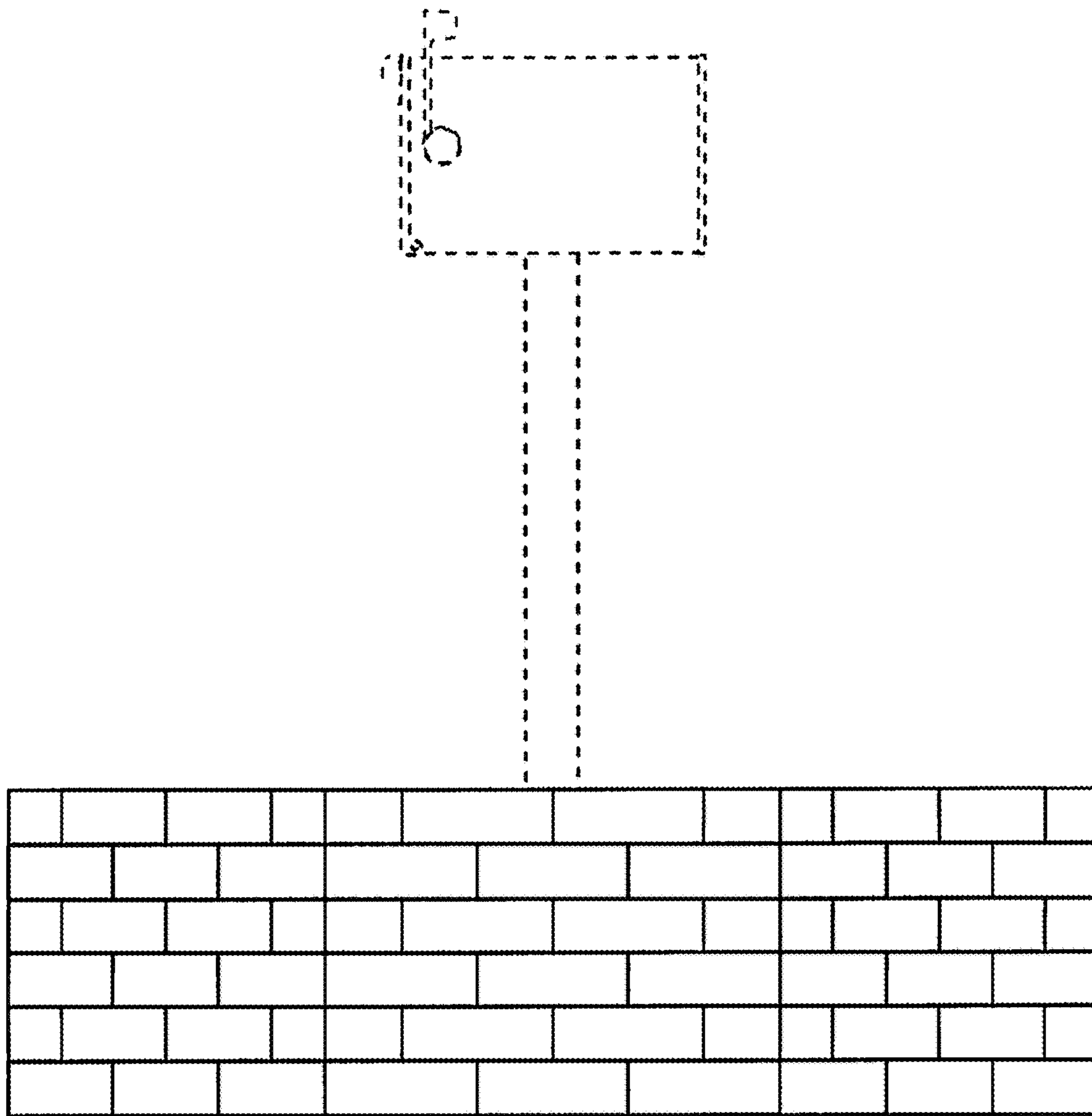
2007/0053752 A1 3/2007 Kim

2012/0279155 A1 \* 11/2012 Mortreuil ..... B65F 1/1426  
52/379

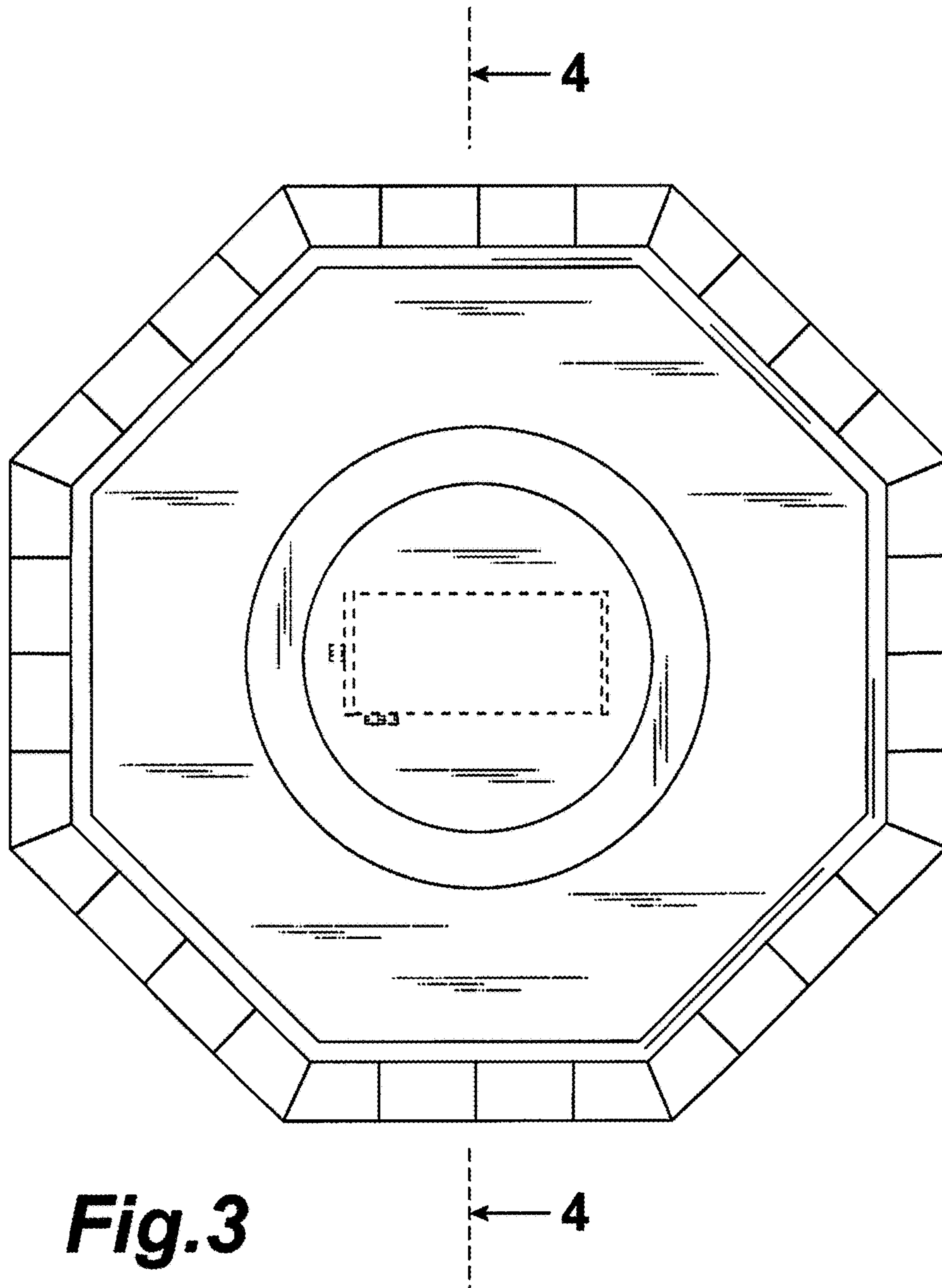
\* cited by examiner



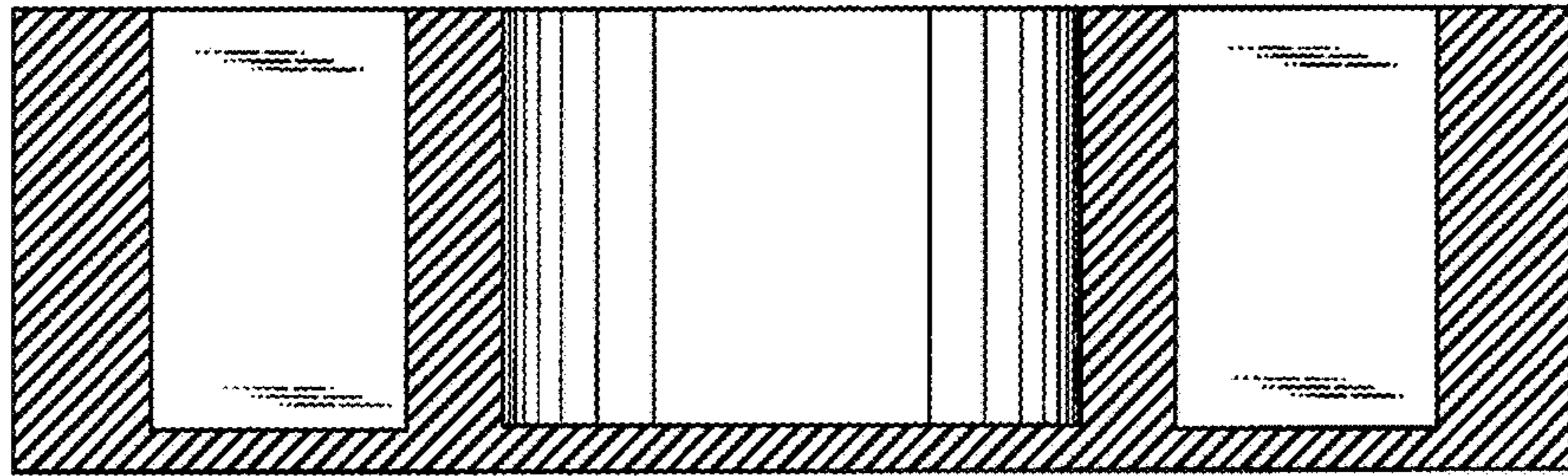
**Fig.1**



***Fig.2***



**Fig.3**



***Fig.4***