

US00D792274S

(12) **United States Design Patent** (10) **Patent No.:** **US D792,274 S**  
**Healy** (45) **Date of Patent:** **\*\* Jul. 18, 2017**

(54) **MOTORCYCLE HELMET PLAQUE**  
(71) Applicant: **Kevin J. Healy**, Osterville, MA (US)  
(72) Inventor: **Kevin J. Healy**, Osterville, MA (US)

7,555,860 B1 \* 7/2009 Ivanitch ..... A47F 5/0807  
40/657  
D754,026 S \* 4/2016 Healy ..... D11/133  
2016/0345765 A1 \* 12/2016 Poirier ..... A47G 33/004  
2017/0052000 A1 \* 2/2017 White ..... F41H 1/08

(\*\*) Term: **15 Years**

**OTHER PUBLICATIONS**

(21) Appl. No.: **29/575,563**  
(22) Filed: **Aug. 26, 2016**  
(51) **LOC (10) Cl.** ..... **11-02**  
(52) **U.S. Cl.**  
USPC ..... **D11/133**  
(58) **Field of Classification Search**  
USPC ..... D11/131-133, 157, 184, 99; D21/780,  
D21/727, 724, 533, 548, 549;  
D29/102-107, 122; D2/870-878;  
D14/187; D6/300, 303, 552, 553  
CPC ..... A63F 7/0616; A63B 71/081; A63B 71/10;  
A42B 3/00; A47G 1/12  
See application file for complete search history.

Half Helmet Award Plaque (YouTube), available Dec. 12, 2012, [online], [site visited Mar. 3, 2107]. Video available from internet, <URL: [https://www.youtube.com/watch?v=D0o\\_gl3xhWA](https://www.youtube.com/watch?v=D0o_gl3xhWA).  
Half Helmet Football Sport Plaques (YouTube), available Jun. 17, 2014, [online], [site visited Mar. 3, 2107]. Video available from internet, <URL: <https://www.youtube.com/watch?v=BiMJ8um51uw>.  
Balfour Half Helmet, available Nov. 11, 2016, [online], [site visited Mar. 3, 2017]. Available from internet, <URL: <http://www.balfour.com/half-helmet/>.

\* cited by examiner

*Primary Examiner* — Cathron Brooks  
*Assistant Examiner* — Teddy Falloway  
(74) *Attorney, Agent, or Firm* — Michael R. Philips

(56) **References Cited**

(57) **CLAIM**

**U.S. PATENT DOCUMENTS**

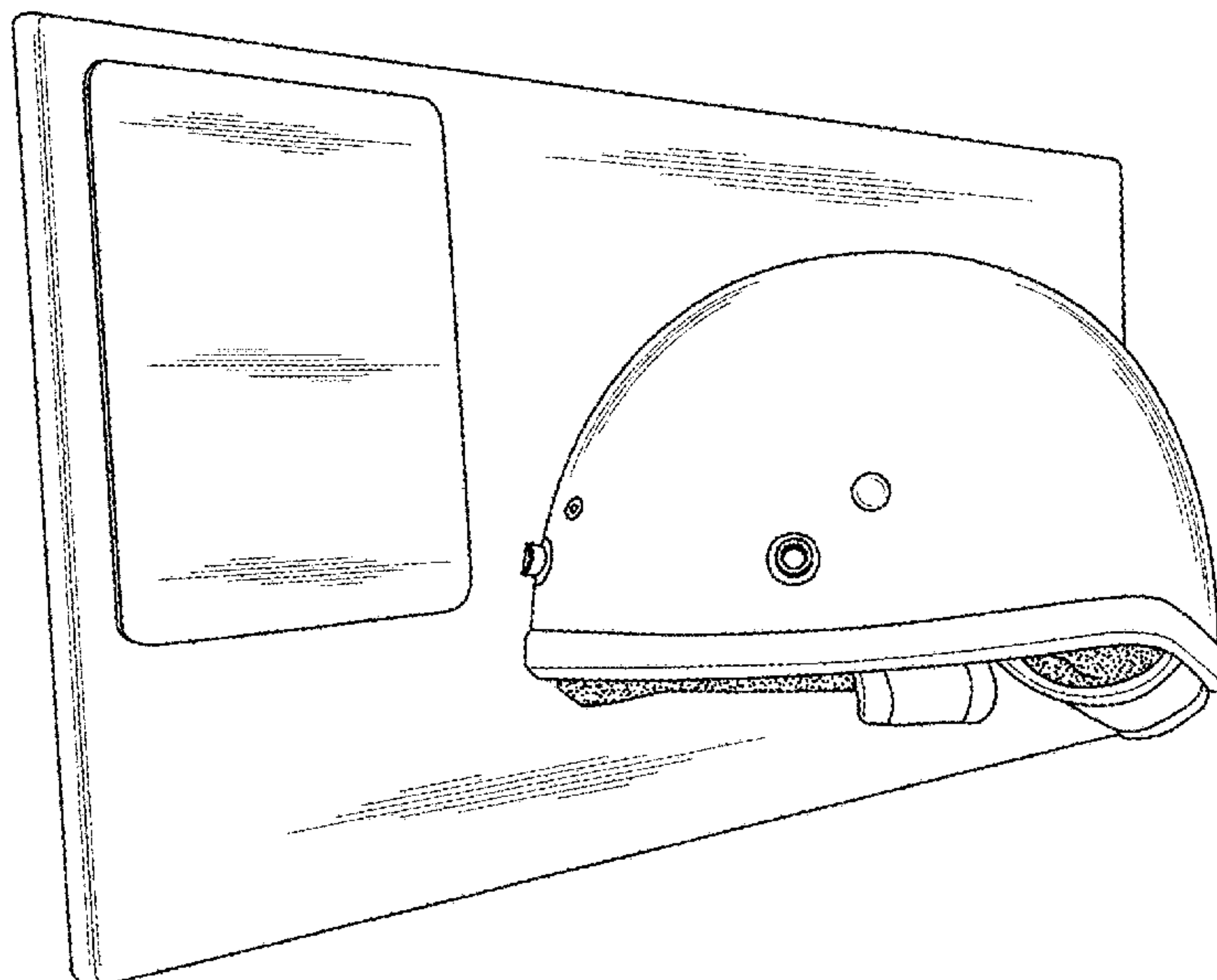
The ornamental design for a motorcycle helmet plaque, as shown and described.

D211,031 S \* 5/1968 Eddy ..... D11/136  
D234,433 S \* 3/1975 Zivica ..... D11/133  
D240,365 S \* 6/1976 Bennett ..... D10/46.1  
D256,068 S \* 7/1980 Danat ..... D11/238  
D330,525 S \* 10/1992 Grindley, Jr. .... D11/132  
D354,455 S \* 1/1995 Hosker ..... D11/132  
D356,977 S \* 4/1995 Roethler ..... D11/132  
D360,056 S \* 7/1995 Tamez ..... D11/133  
D405,720 S \* 2/1999 Sain ..... D11/133  
6,170,185 B1 \* 1/2001 Donofrio, Jr. .... A47G 25/10  
211/30  
D481,762 S \* 11/2003 Nemazi ..... D20/13

**DESCRIPTION**

FIG. 1 is a perspective view of the motorcycle helmet plaque according to the invention.  
FIG. 2 is a front elevation view thereof.  
FIG. 3 is a right side elevation view thereof.  
FIG. 4 is a left side elevation view thereof; and,  
FIG. 5 is a top plan view thereof.

**1 Claim, 4 Drawing Sheets**



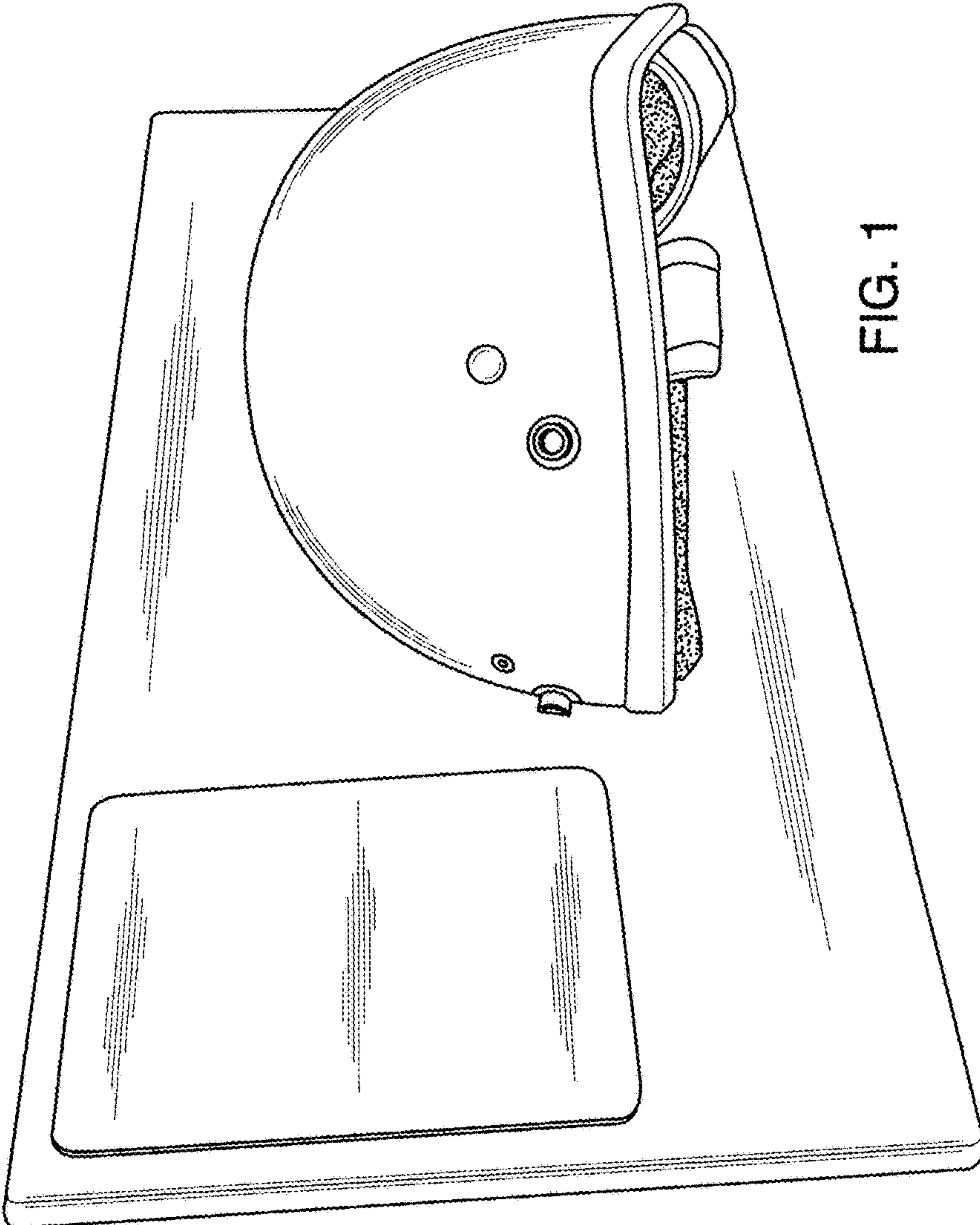


FIG. 1

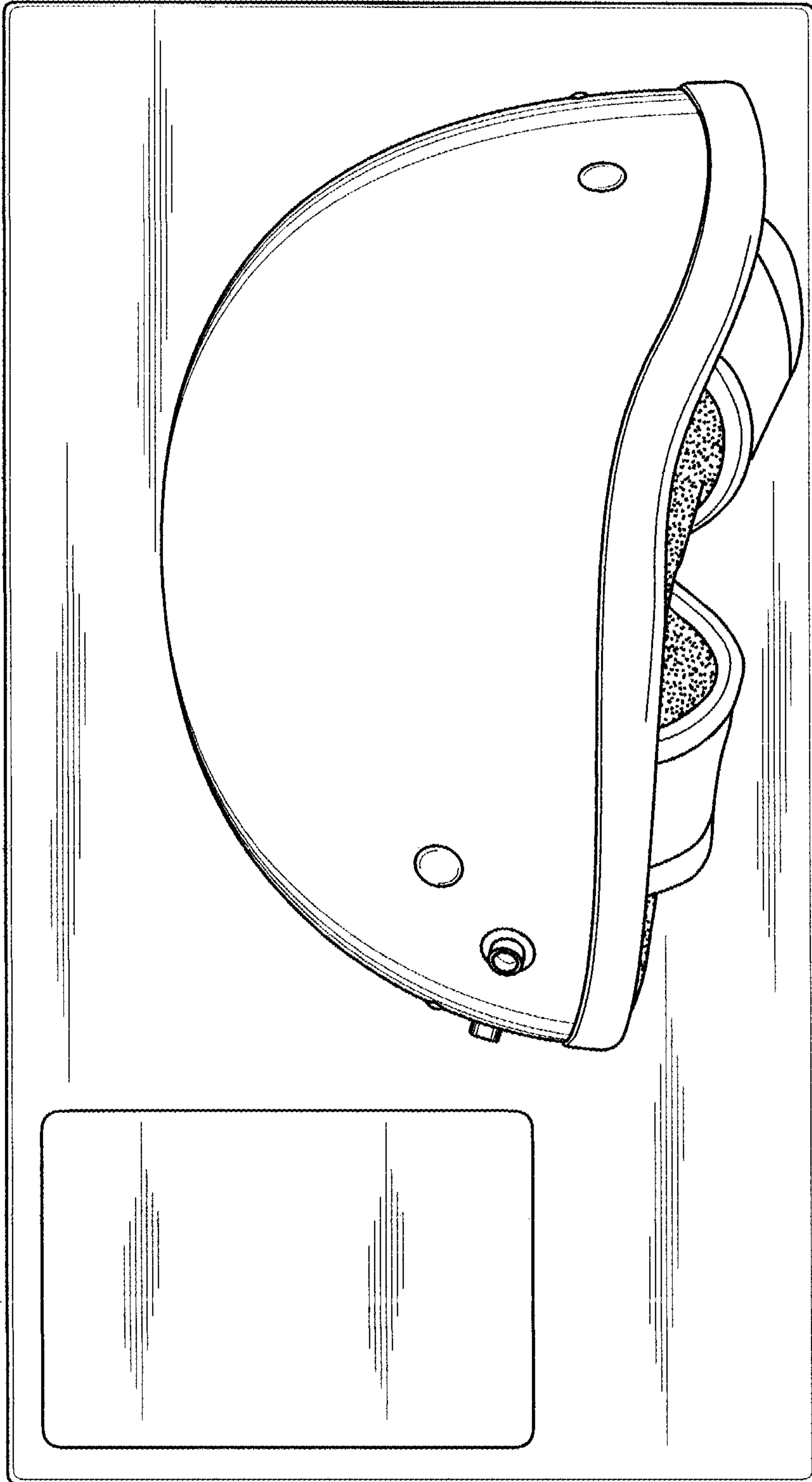


FIG. 2

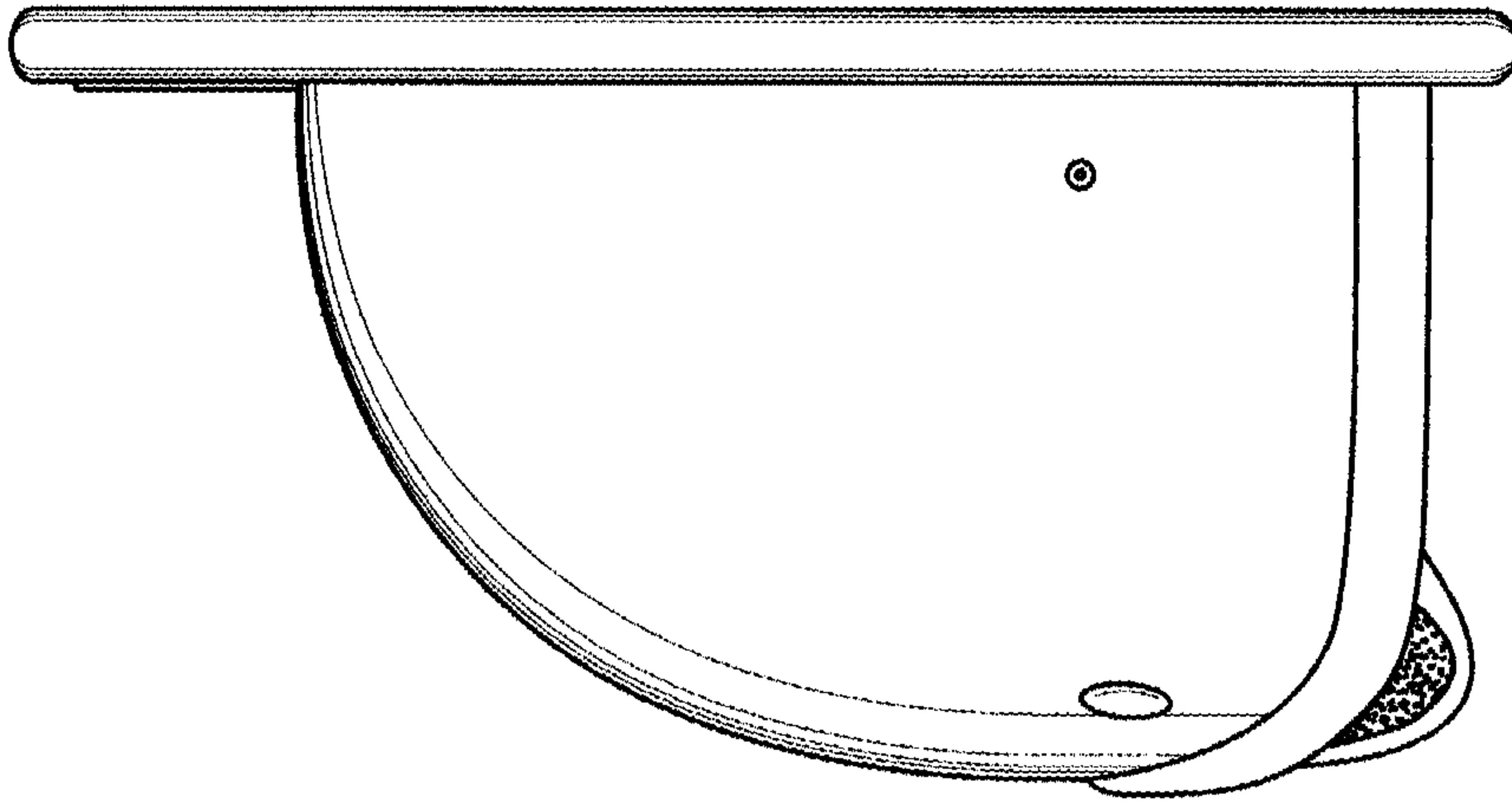


FIG. 4

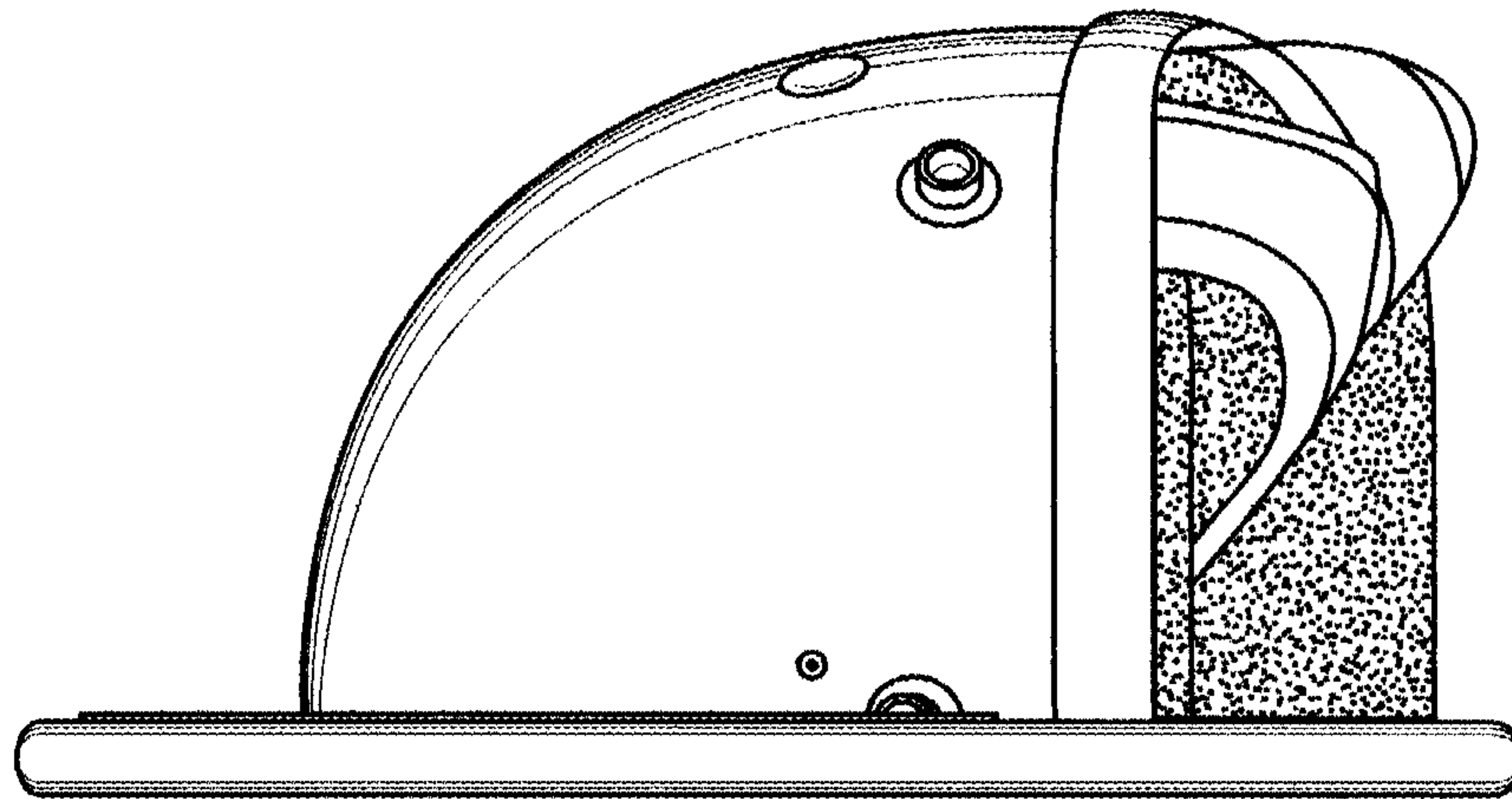


FIG. 3

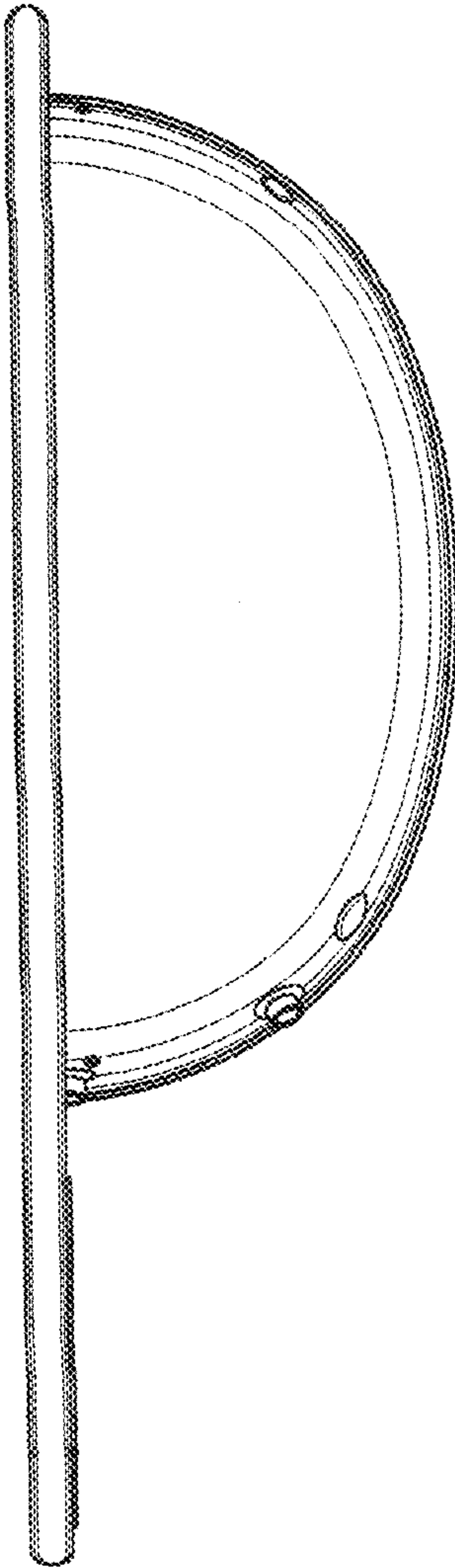


FIG. 5