



US00D792265S

(12) **United States Design Patent**
Morin

(10) **Patent No.:** **US D792,265 S**

(45) **Date of Patent:** **** Jul. 18, 2017**

- (54) **RING**
- (71) Applicant: **Cartier International AG**, Steinhausen (CH)
- (72) Inventor: **Flora Morin**, Conflans Sainte Honorine (FR)
- (73) Assignee: **Cartier International AG**, Steinhausen (CH)

D262,528 S *	1/1982	Carbino	D11/27
D291,664 S *	9/1987	Kelman	D11/27
4,841,746 A *	6/1989	Chen	A44C 17/0258 63/15
D427,538 S *	7/2000	Kern	D11/26
D538,697 S *	3/2007	Azrielant	D11/28
D542,694 S *	5/2007	Schweizer	D11/34
D542,695 S *	5/2007	Schweizer	D11/34
D666,117 S *	8/2012	Le Bail	D11/26
D766,123 S *	9/2016	Wachtmeister	D11/34

(**) Term: **15 Years**

(21) Appl. No.: **29/560,939**

(22) Filed: **Apr. 12, 2016**

(51) **LOC (10) Cl.** **11-01**

(52) **U.S. Cl.**
USPC **D11/35**

(58) **Field of Classification Search**
 USPC D11/1, 2, 7, 8, 9-86, 91, 92
 CPC .. A44C 5/00; A44C 1/00; A44C 7/002; A44C 11/00; A44C 11/007; A44C 23/00; A44C 25/00; A44C 25/001; A44C 25/007; A44C 17/02; A44C 17/0241; A44C 17/0266; A44C 17/0175; A44C 9/00; A44C 9/0007; A44C 9/0015; A44C 9/0023; A44C 9/003; A44C 9/0038; A44C 9/0046; A44C 9/0053; A44C 9/0061; A44C 9/0069; A44C 9/0076; A44C 9/0084; A44C 9/02; A44C 15/001
 See application file for complete search history.

(56) **References Cited**

U.S. PATENT DOCUMENTS

D254,537 S *	3/1980	Abelson	63/15.1
D257,018 S *	9/1980	Barr	63/29.1

OTHER PUBLICATIONS

- [Online] <http://www.cartier.com/content/dam/rcq/car/10/32/58/2/1032582.png.scale.314.high.png>. Retrieved Feb. 15, 2017.*
- [Online] http://www.firenzejewels.com/diamond-18k-white-gold-oval-shaped-swirl-ring_6929.html. Retrieved Feb. 15, 2017.*

* cited by examiner

Primary Examiner — Melanie Pellegrini
(74) *Attorney, Agent, or Firm* — Taft Stettinius & Hollister LLP

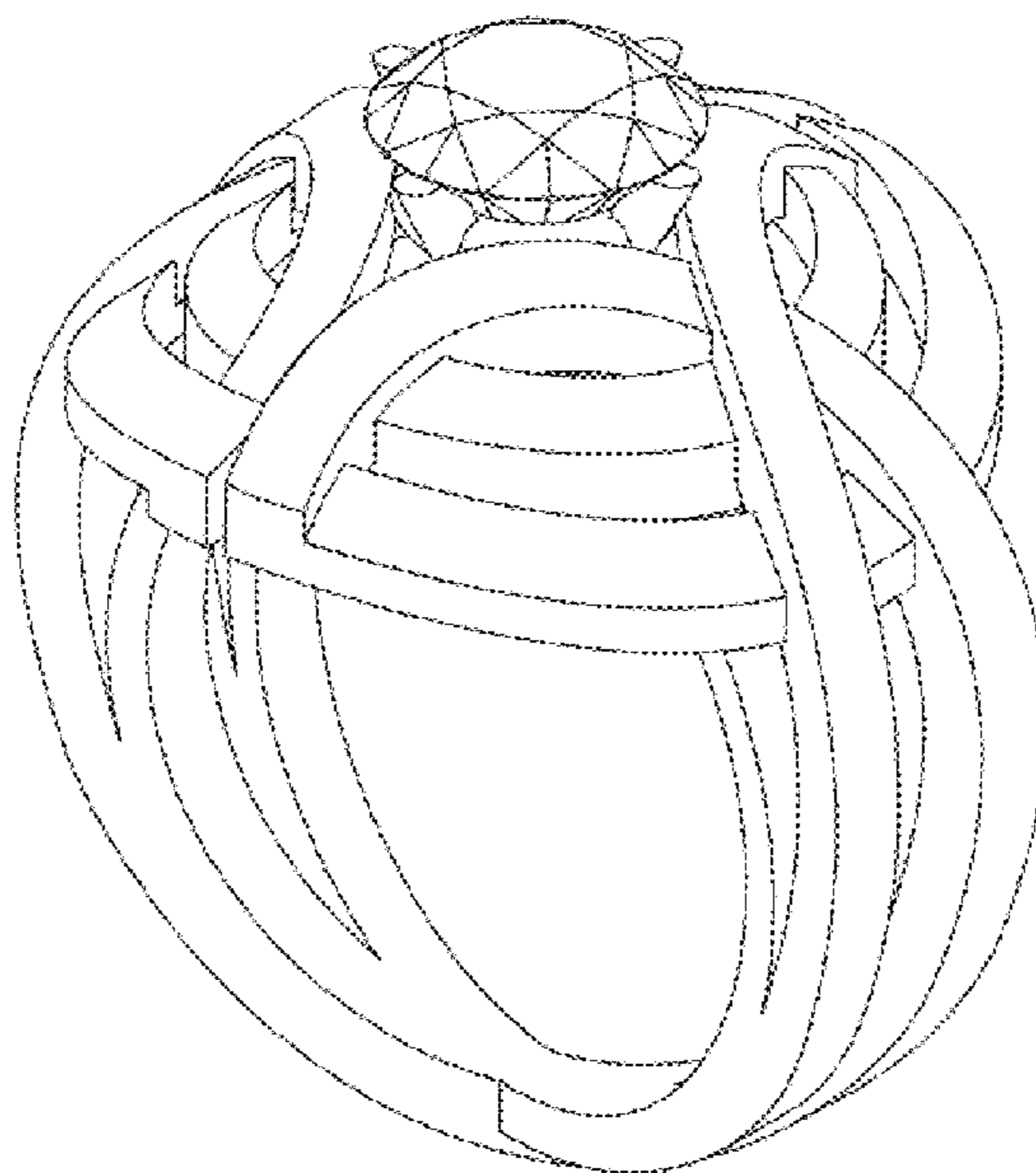
(57) **CLAIM**

The ornamental design for a ring, as shown and described.

DESCRIPTION

FIG. 1 is a front elevational view of a ring showing my new design;
 FIG. 2 is a rear elevational view thereof;
 FIG. 3 is a right side elevational view thereof;
 FIG. 4 is a left side elevational view thereof;
 FIG. 5 is a top plan view thereof;
 FIG. 6 is a bottom plan view thereof;
 FIG. 7 is a right, front perspective view thereof; and,
 FIG. 8 is a right, rear perspective view thereof.

1 Claim, 1 Drawing Sheet



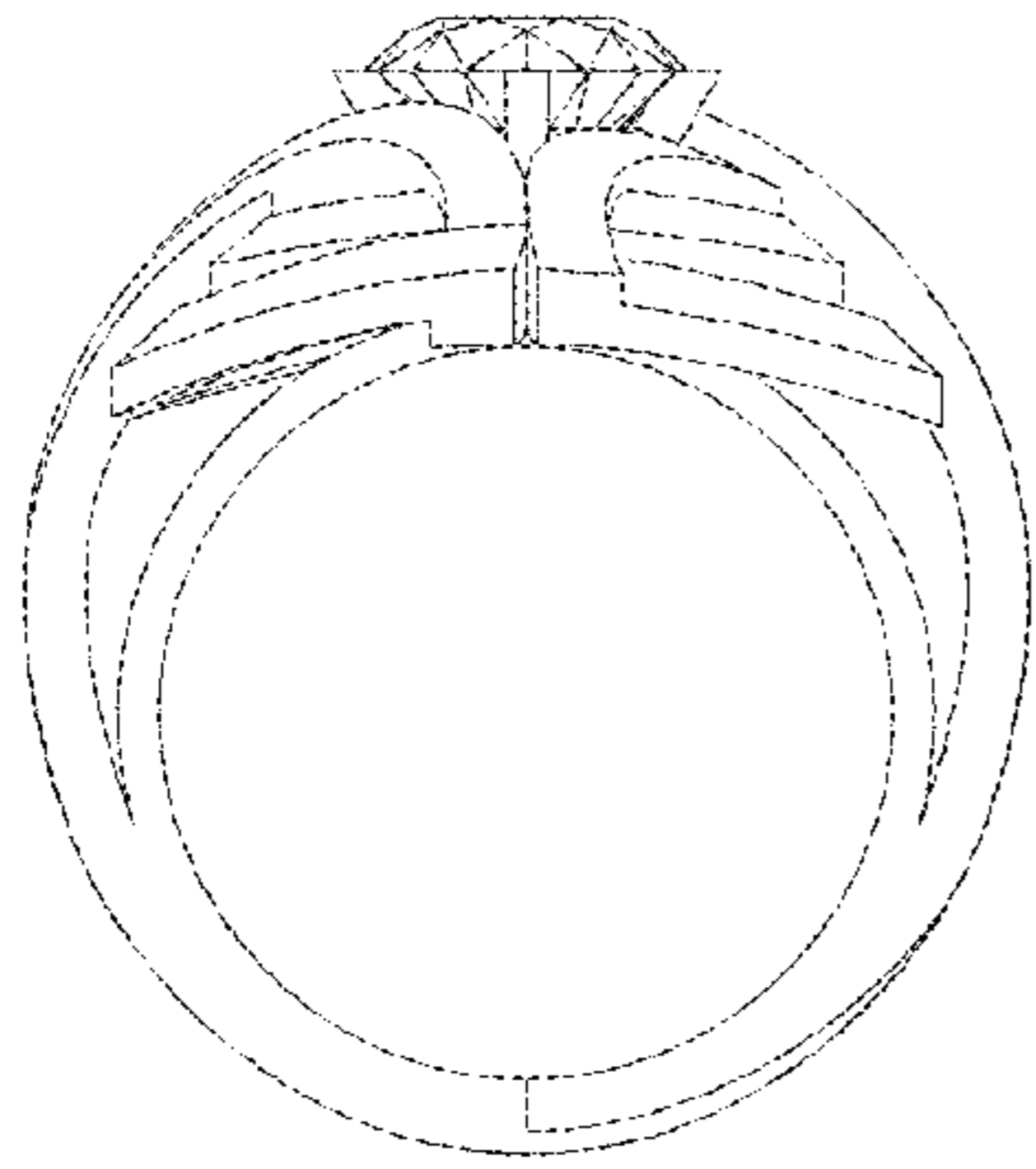


Fig. 1

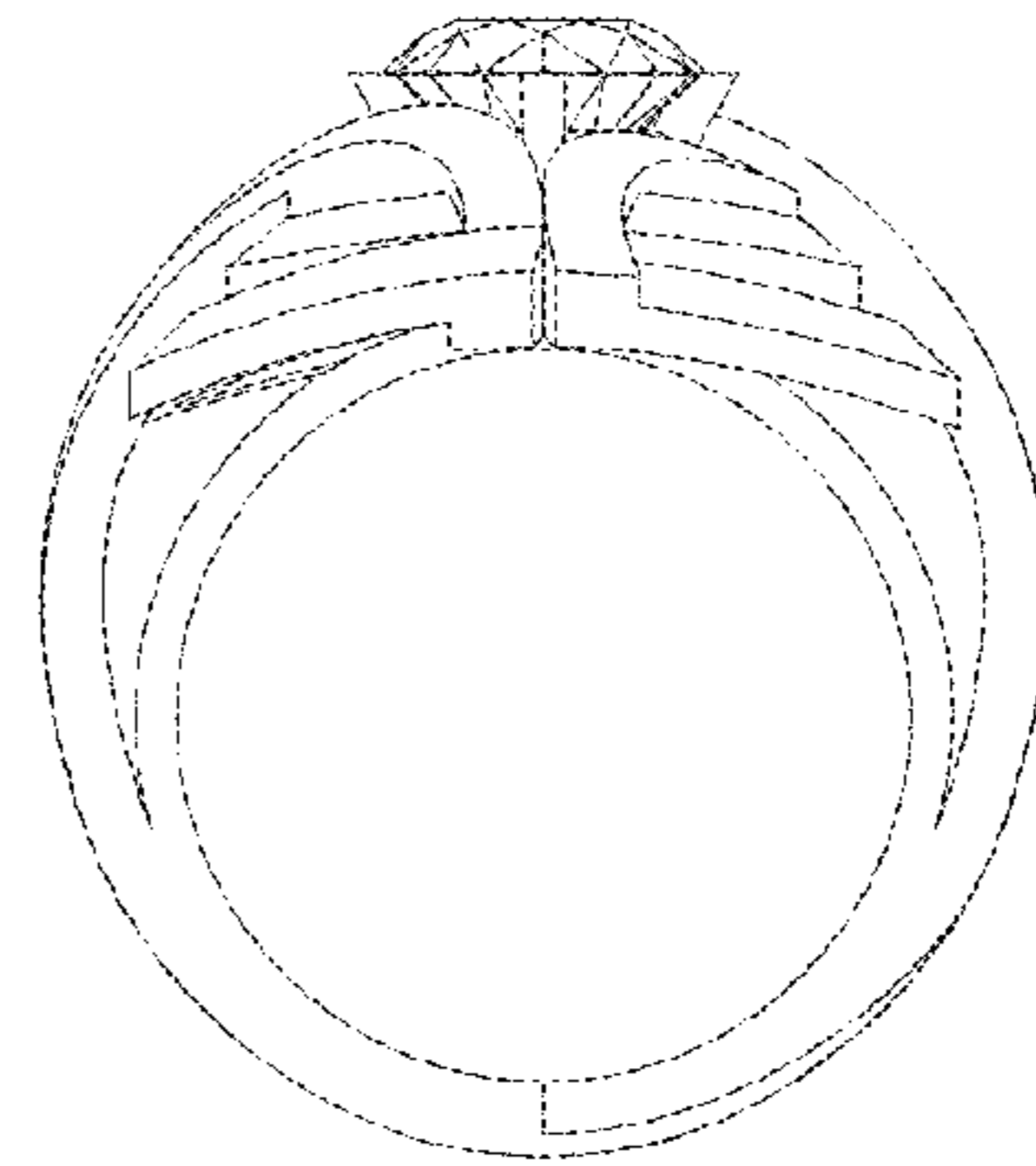


Fig. 2

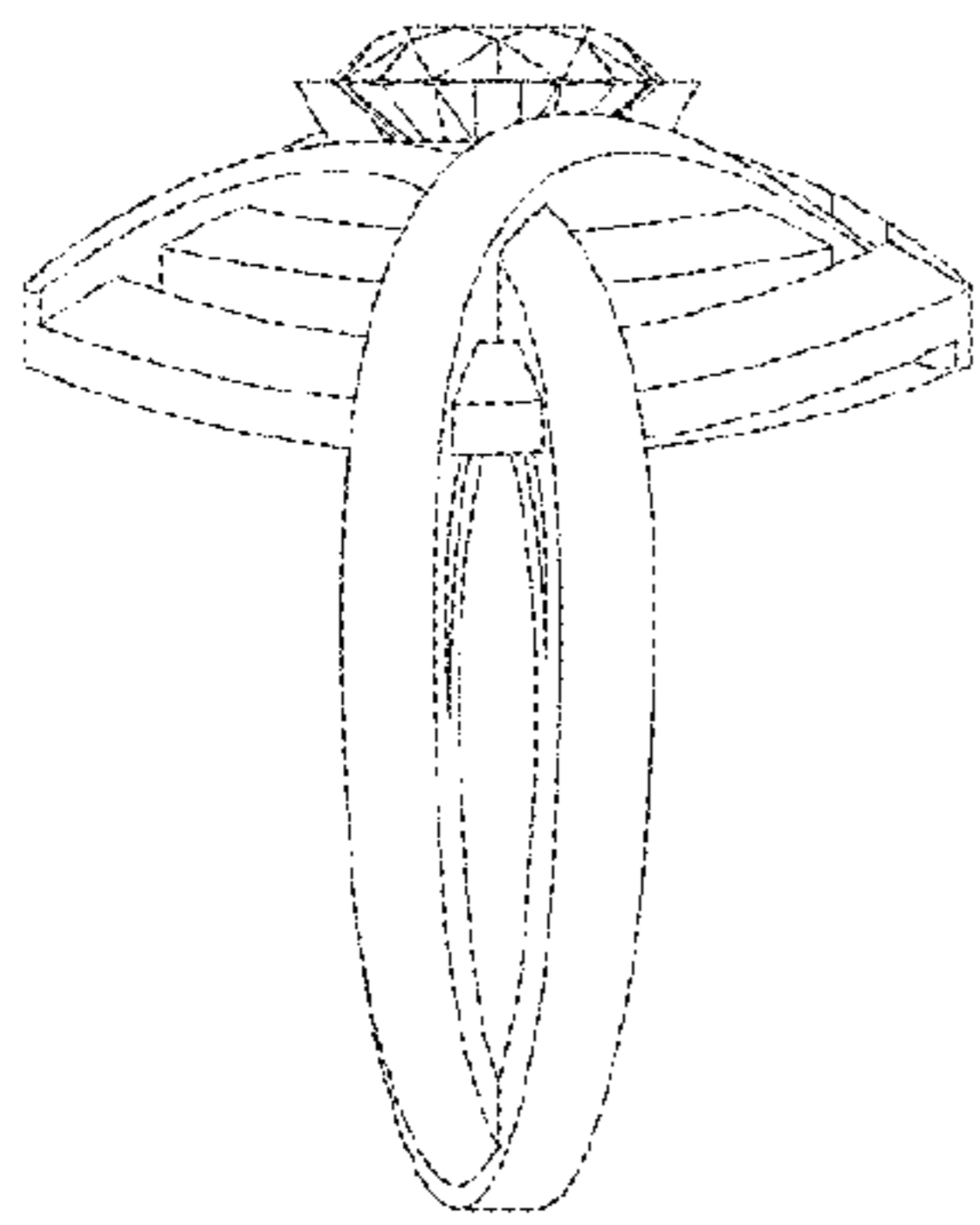


Fig. 3

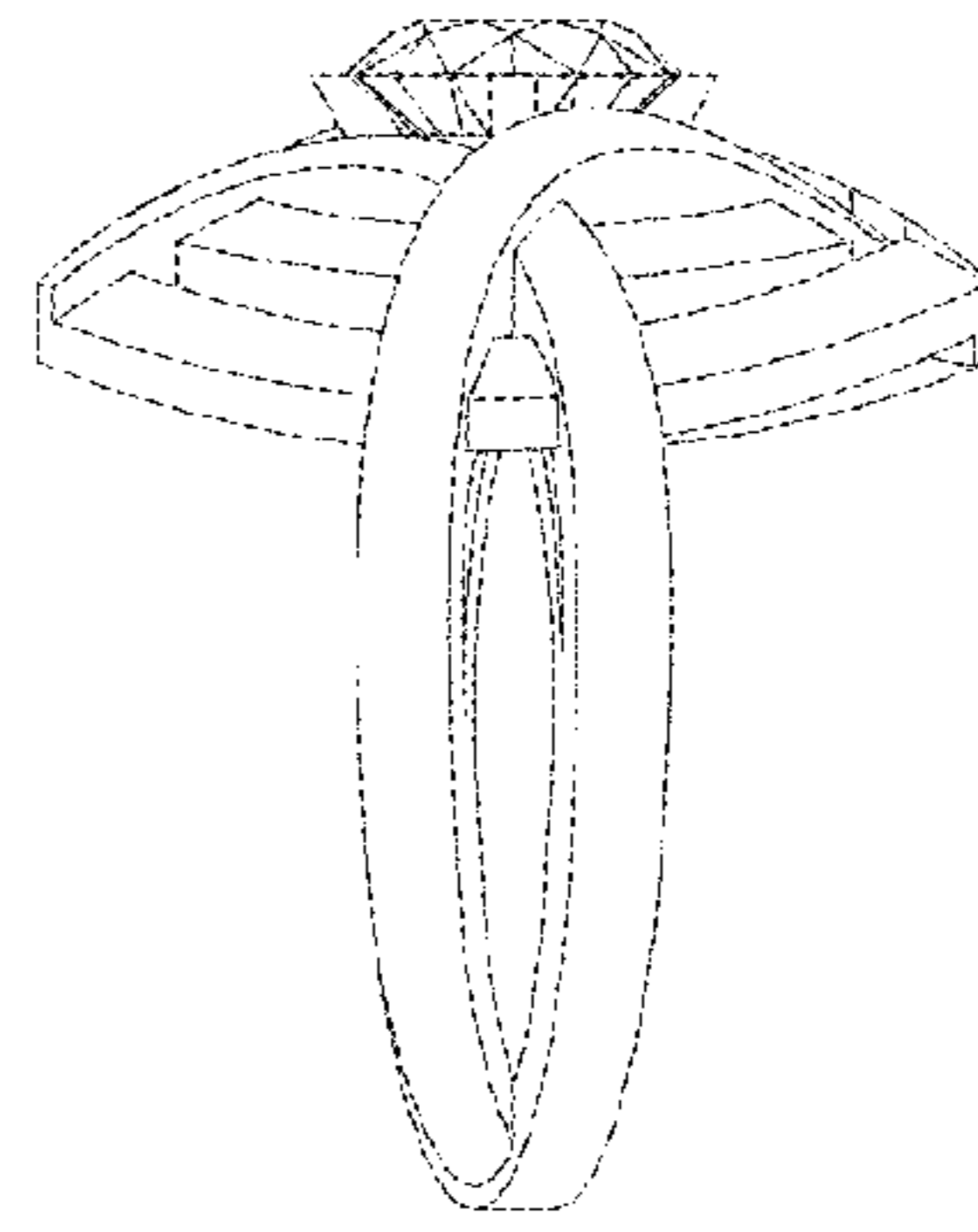


Fig. 4

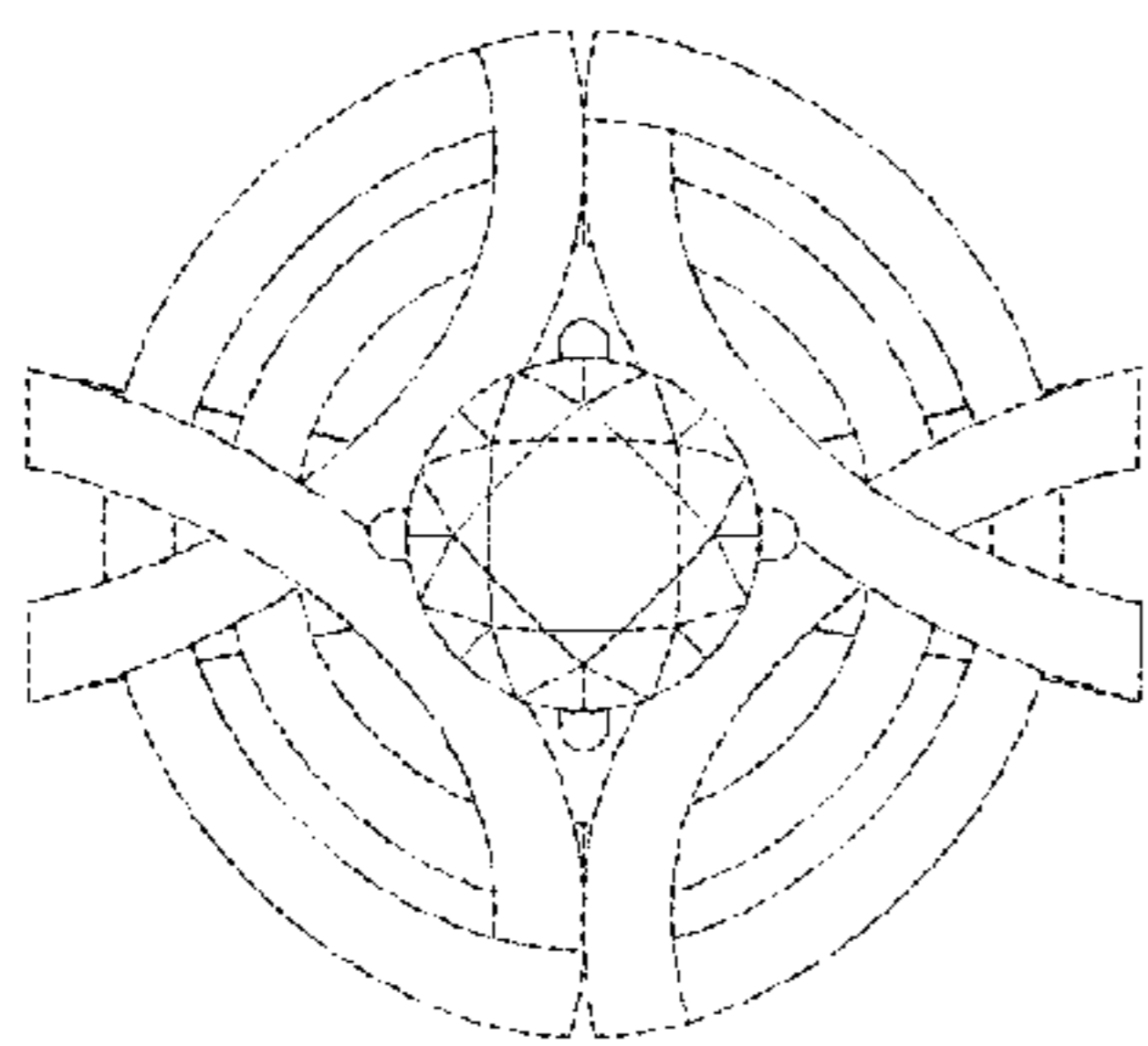


Fig. 5

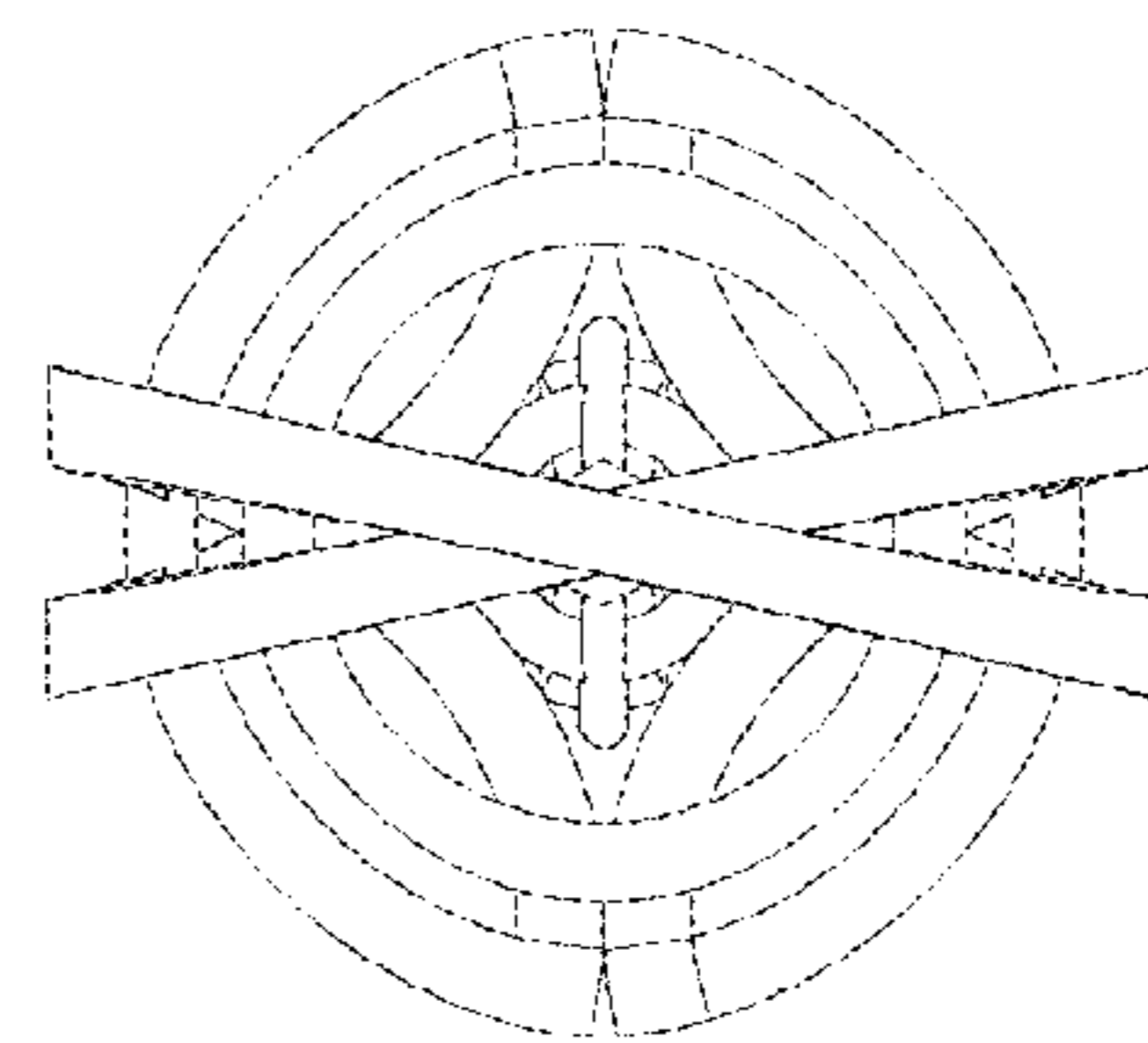


Fig. 6

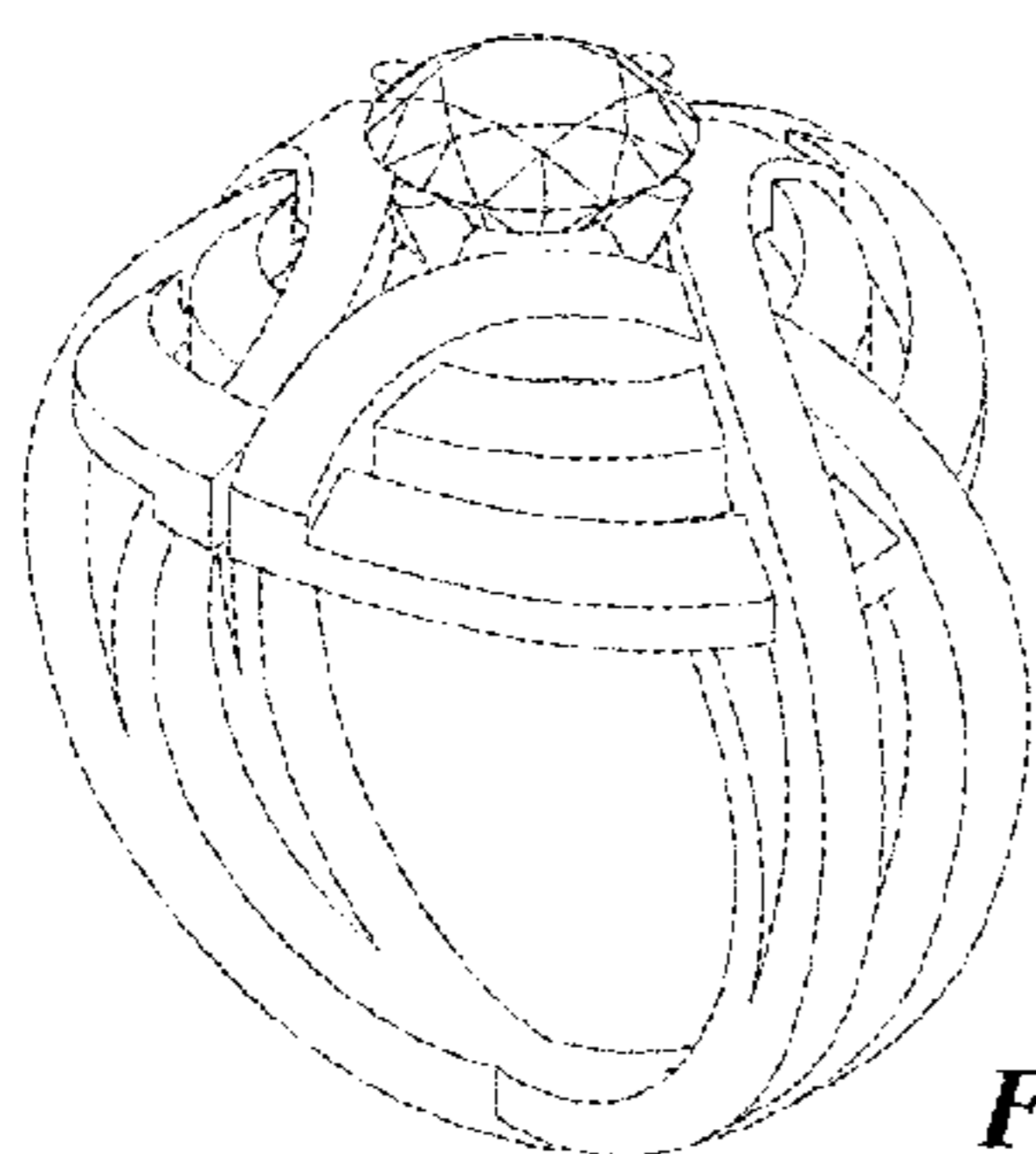


Fig. 7

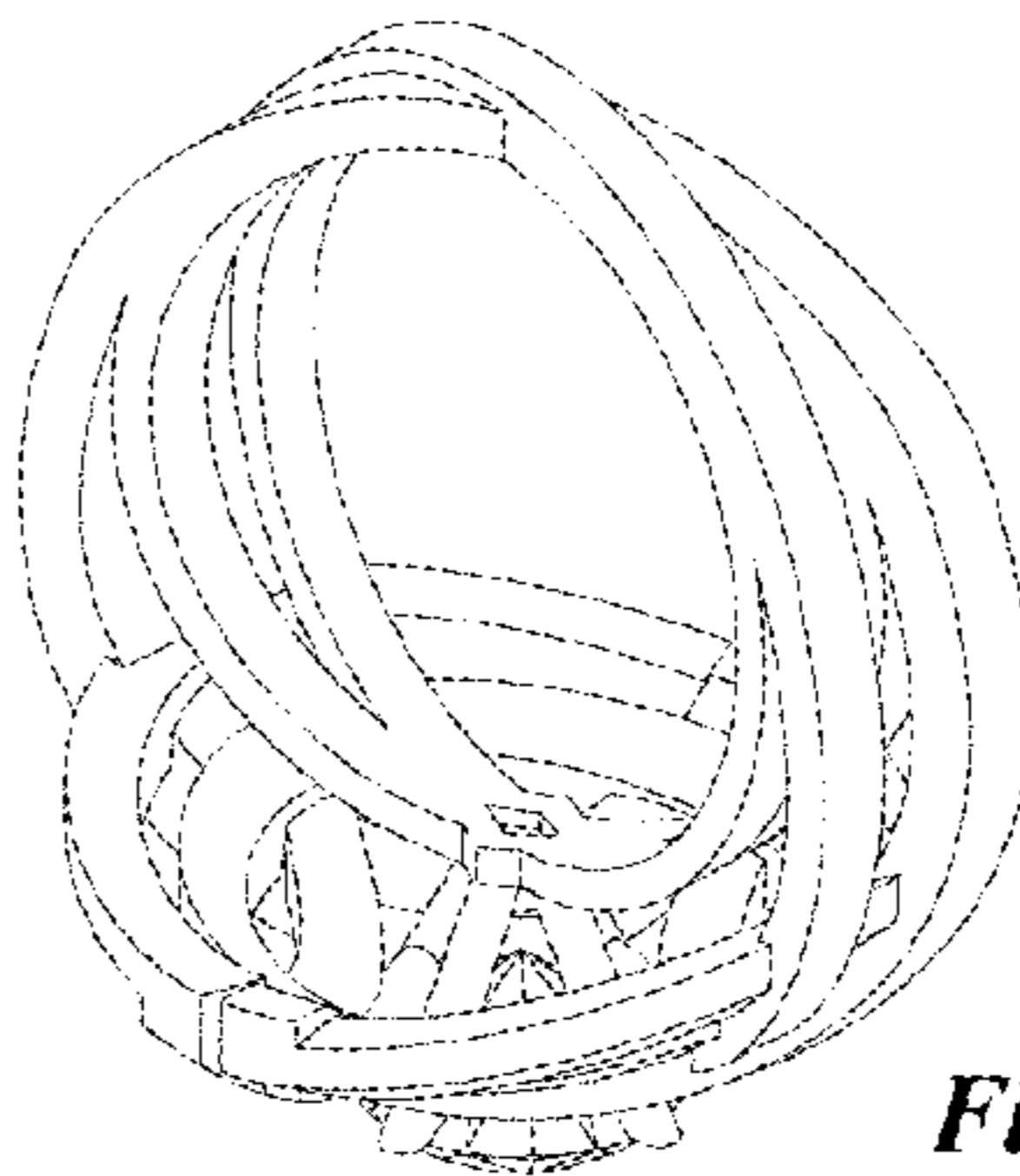


Fig. 8