



US00D792262S

(12) **United States Design Patent** (10) **Patent No.:** **US D792,262 S**
Rosenbaum et al. (45) **Date of Patent:** **** Jul. 18, 2017**

(54) **LEATHER LACE BRACELET**

(71) Applicant: **Modern Home Management LLC**,
Maineville, OH (US)

(72) Inventors: **Alexis Rosenbaum**, Mainville, OH
(US); **Hannah King**, Mainville, OH
(US)

(73) Assignee: **Modern Home Management LLC**,
Maineville, OH (US)

(**) Term: **15 Years**

(21) Appl. No.: **29/562,911**

(22) Filed: **Apr. 29, 2016**

Related U.S. Application Data

(62) Division of application No. 29/494,645, filed on Jun.
23, 2014.

(51) **LOC (10) Cl.** **11-01**

(52) **U.S. Cl.**
USPC **D11/5**

(58) **Field of Classification Search**
USPC D11/1-25; D3/207-211
(Continued)

(56) **References Cited**

U.S. PATENT DOCUMENTS

D163,991 S 7/1951 Chernow
D448,156 S * 9/2001 Gietz D3/207
(Continued)

OTHER PUBLICATIONS

[online] https://images.groopdealz.com/deal-pics/378/5/0_1418158095_8401_xl.jpg. Retrieved Sep. 16, 2016.*
(Continued)

Primary Examiner — Melanie Pellegrini

(74) *Attorney, Agent, or Firm* — Wood Herron & Evans
LLP

(57) **CLAIM**

The ornamental design for a leather lace bracelet, as shown
and described.

DESCRIPTION

FIG. 1 is a perspective view of a first embodiment of a
leather lace bracelet of the present invention in a wrapped
configuration.

FIG. 2 is a perspective view of the first embodiment of the
leather lace bracelet of the present invention in an
unwrapped configuration.

FIG. 3 is a top view of FIG. 2 of the leather lace bracelet.

FIG. 4 is a right side view of FIG. 2 of the leather lace
bracelet; the left side view is a mirror image thereof.

FIG. 5 is a bottom view of FIG. 2 of the leather lace bracelet.

FIG. 6 is a front view of FIG. 2 of the leather lace bracelet.

FIG. 7 is a rear view of FIG. 2 of the leather lace bracelet.

FIG. 8 is an enlarged portion of the circle area 8 of the
leather lace bracelet of FIG. 4.

FIG. 9 is a perspective view of a second embodiment of a
leather lace bracelet of the present invention in an
unwrapped configuration.

FIG. 10 is a top view of FIG. 9 of the leather lace bracelet.

FIG. 11 is a right side view of FIG. 9 of the leather lace
bracelet; the left side view is a mirror image thereof.

FIG. 12 is a bottom view of FIG. 9 of the leather lace
bracelet.

FIG. 13 is a front view of FIG. 9 of the leather lace bracelet.

FIG. 14 is a rear view of FIG. 9 of the leather lace bracelet;
and,

FIG. 15 is an enlarged portion of the circle area 15 of the
leather lace bracelet of FIG. 11.

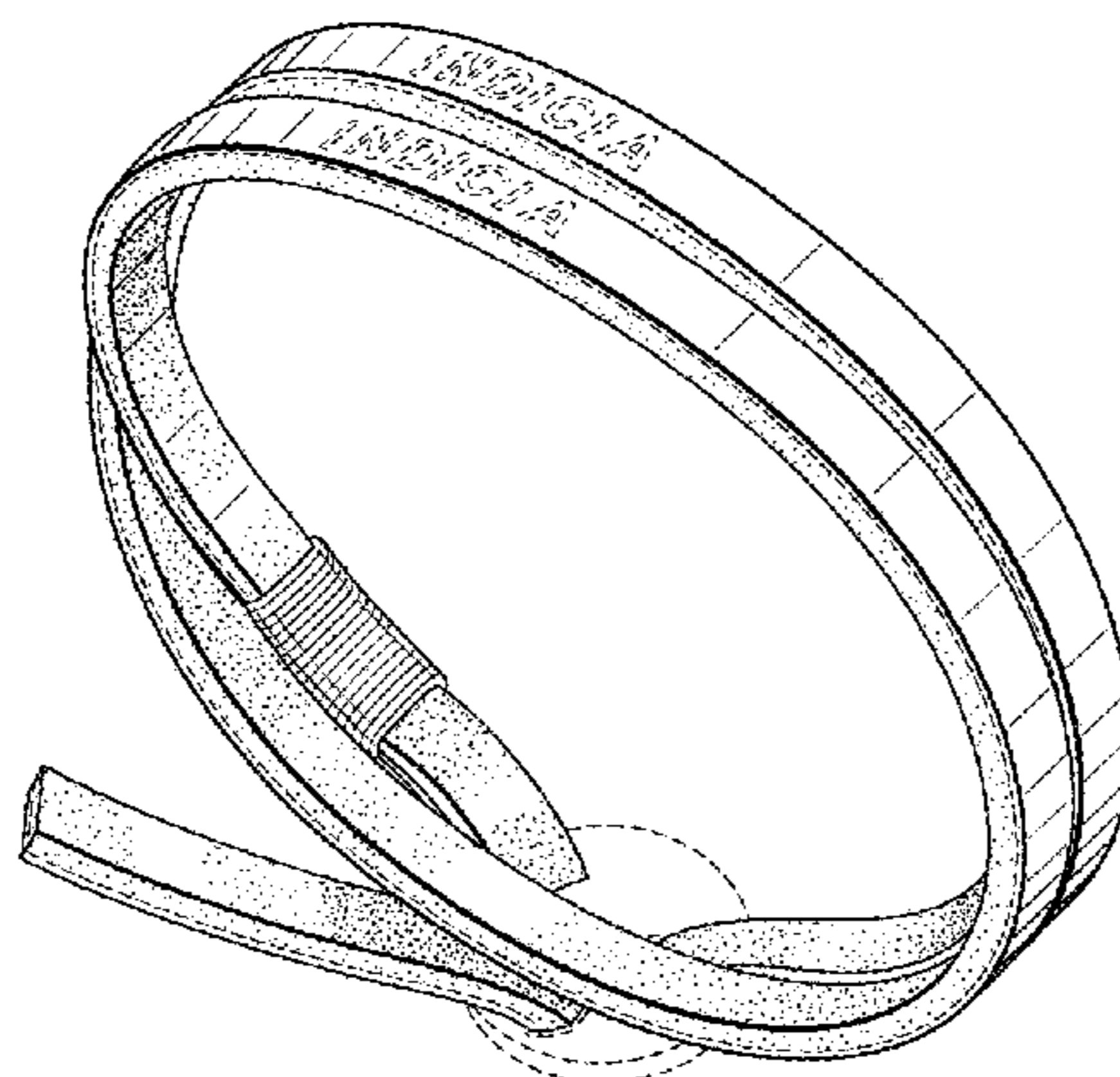
The straight line shading illustrates the smooth side of the
leather.

The stipple shading illustrates the raw side of the leather.

The broken lines represent portions of the leather lace
bracelet which form no part of the claimed design. The
dot-dash style broken lines illustrate an unclaimed boundary.

The break lines shown in FIGS. 2-5 have been included in
order to show the design at a larger scale and the design is

(Continued)



understood to continue uniformly between the break lines and be of the length shown in FIG. 1. FIGS. 9-12 also include break lines and the appearance of any portion of the article between the break lines forms no part of the claimed design.

1 Claim, 5 Drawing Sheets

(58) **Field of Classification Search**

CPC Y10T 29/49838; Y10T 29/49591; A44C 5/00; A44C 5/0007; A44C 5/0015; A44C 5/0023; A44C 5/003; A44C 5/0038; A44C 5/0046; A44C 5/0053; A44C 5/0061; A44C 5/0069; A44C 5/0076; A44C 5/0084; A44C 5/0092; A44C 5/02

See application file for complete search history.

(56) **References Cited**

U.S. PATENT DOCUMENTS

D462,632 S * 9/2002 Iovacchini D11/3
 D482,633 S * 11/2003 Highfill D11/3
 D509,765 S 9/2005 Lishen

D552,005 S * 10/2007 Cerullo D11/4
 D623,978 S 9/2010 Cerullo
 D644,138 S * 8/2011 Webb D11/3
 D675,124 S * 1/2013 Rowland D11/5
 D712,294 S 9/2014 Wright
 D713,283 S 9/2014 Nghiem et al.
 D765,535 S * 9/2016 Nyaggah D11/5
 2006/0265878 A1 11/2006 Zorman

OTHER PUBLICATIONS

<https://www.etsy.com/listing/185474222/womens-red-leather-wrap-bracelet-hafair?utm_source=google&utm_medium=product_listing_promoted&utm_campaign=jewelry_low&gclid=CKKE14nx9L4CFVQiMgodzDUAWg>, Retrieved Jun. 25, 2014.

<https://www.etsy.com/listing/157632120/mens-personalized-jewelry-custom-hand?ref=shop_home_active_16>, Retrieved Jun. 25, 2014.

https://84d55e5b6cda69d72a93-0d45cfb3063cfb137c1771facb0dd.ss.cf1.rackcdn.com/436/9/5_1422655285_3060_xl.jpg; retrieved Feb. 5, 2016.

<https://web.archive.org/web/20130225135508/http://www.aaronbasha.com/collections.leather-strap-bracelets>. retrieved Feb. 25, 2016; posted online at least as early as Feb. 25, 2013.

* cited by examiner

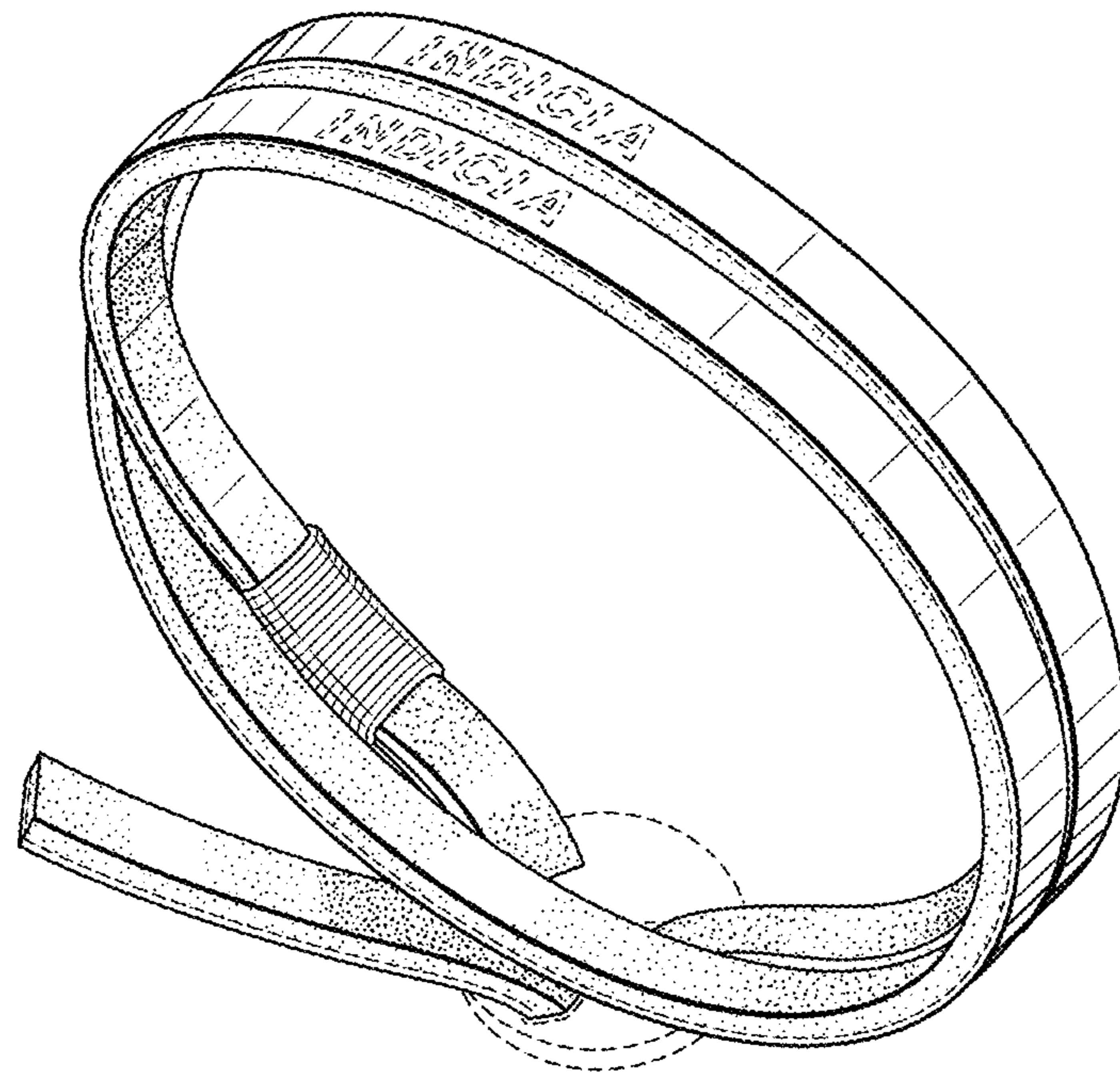


FIG. 1

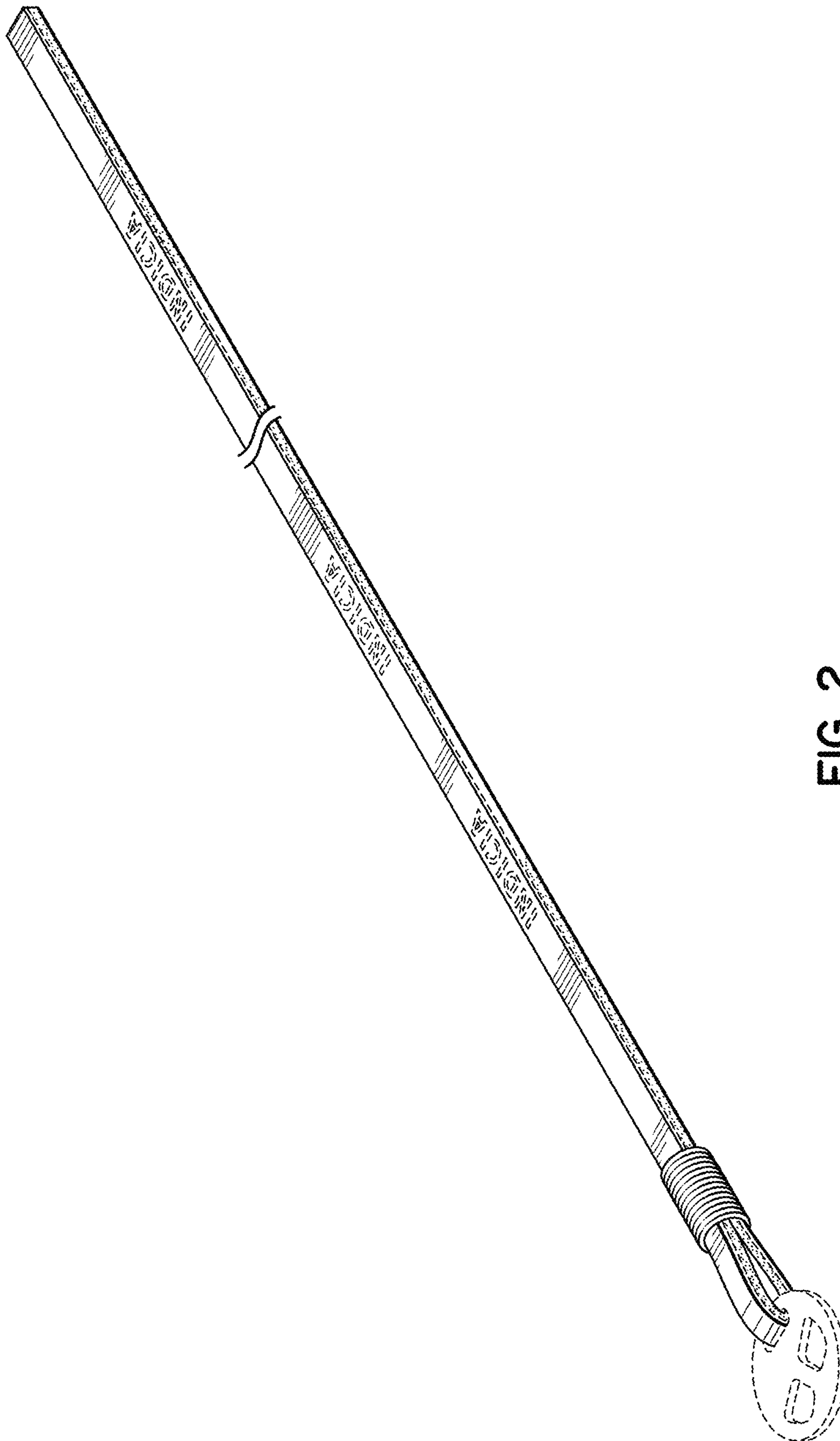


FIG. 2

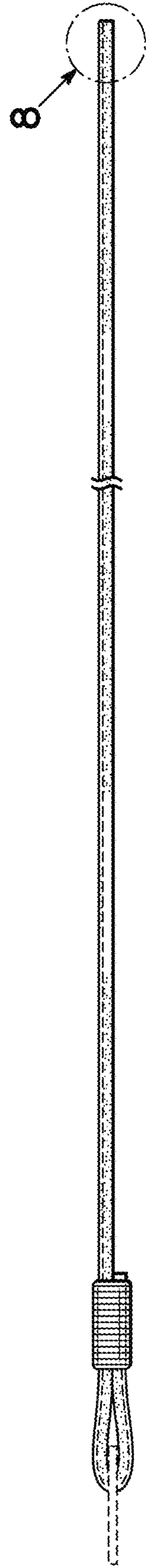
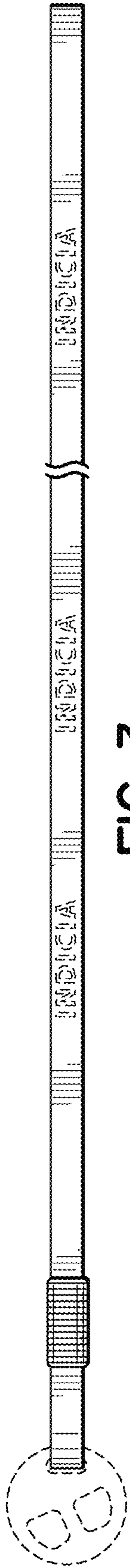
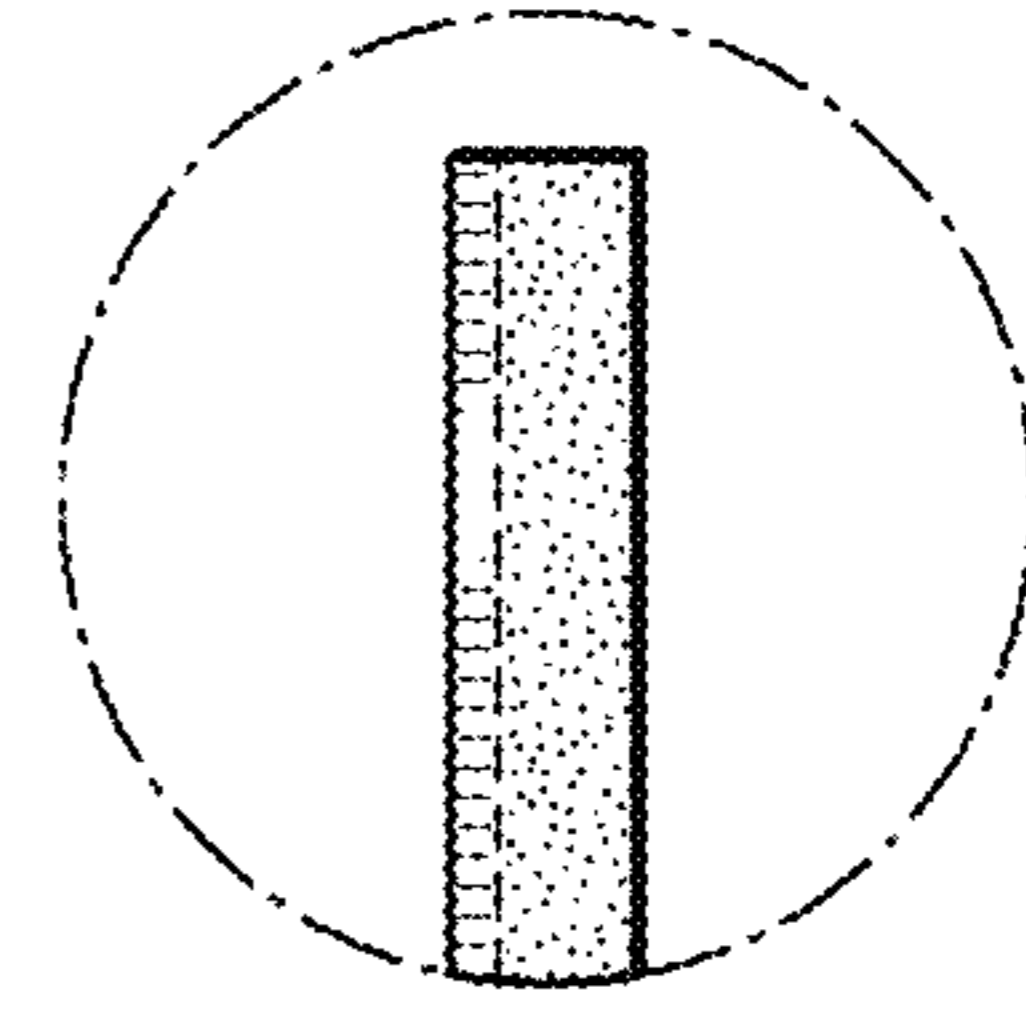


FIG. 7



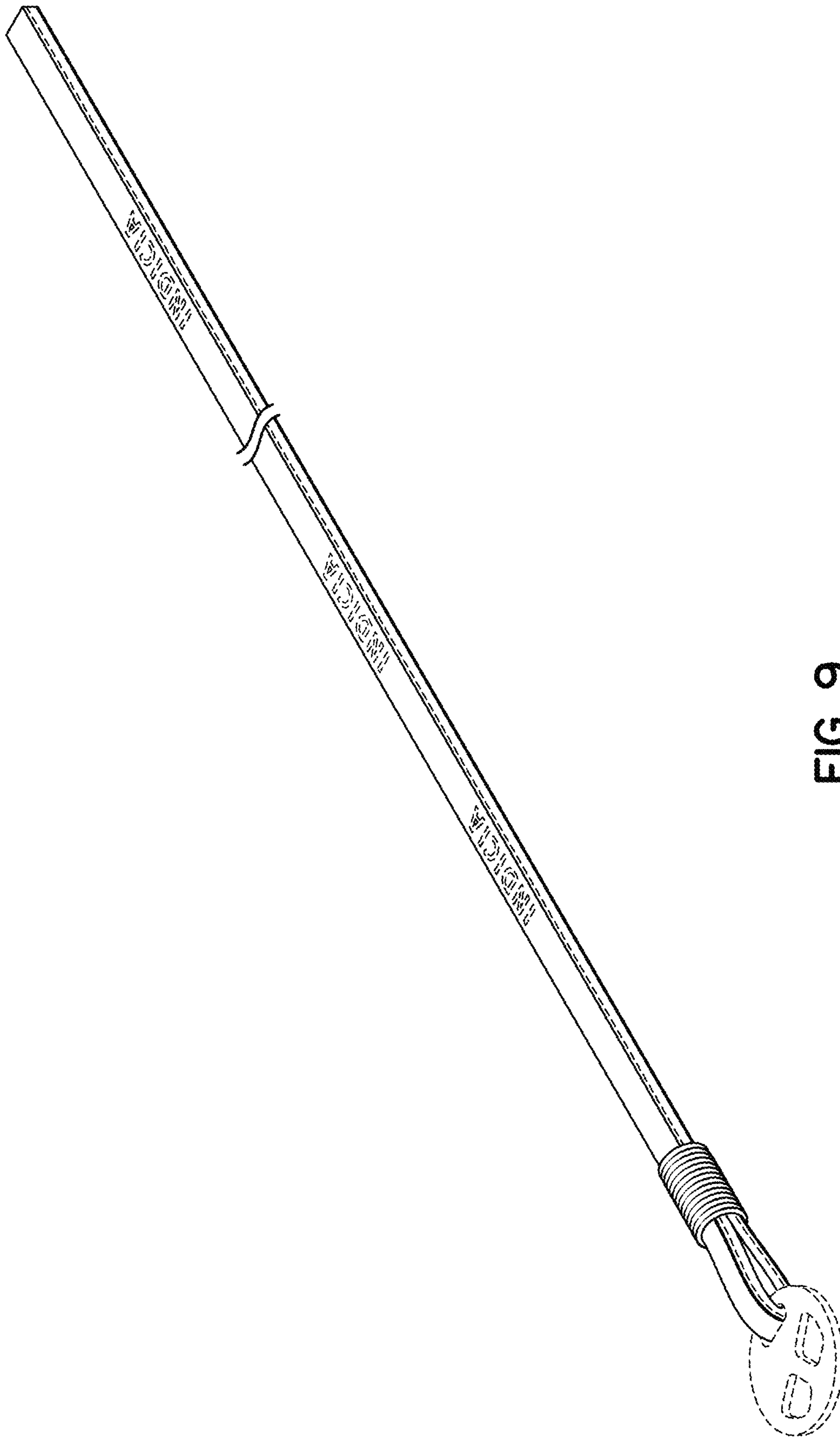


FIG. 9

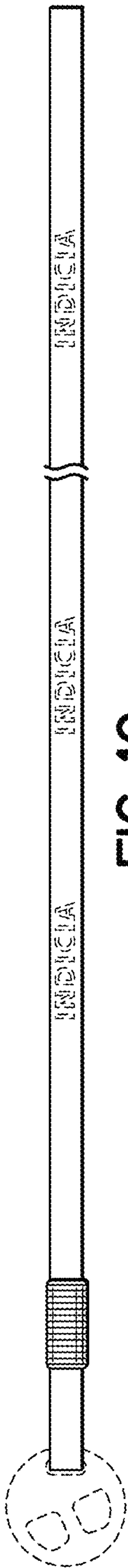


FIG. 10

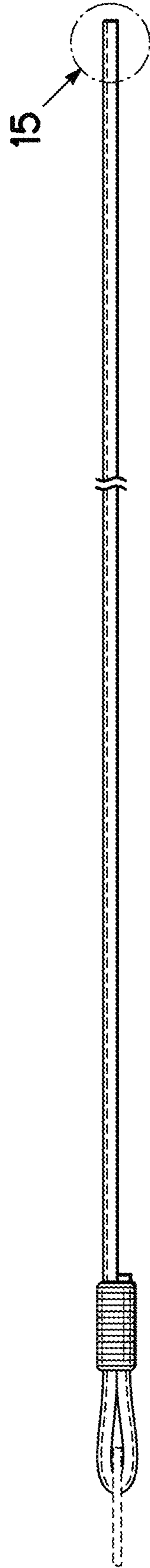


FIG. 11

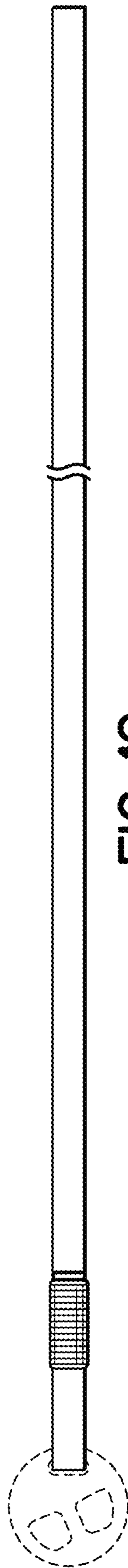


FIG. 12



FIG. 13



FIG. 14

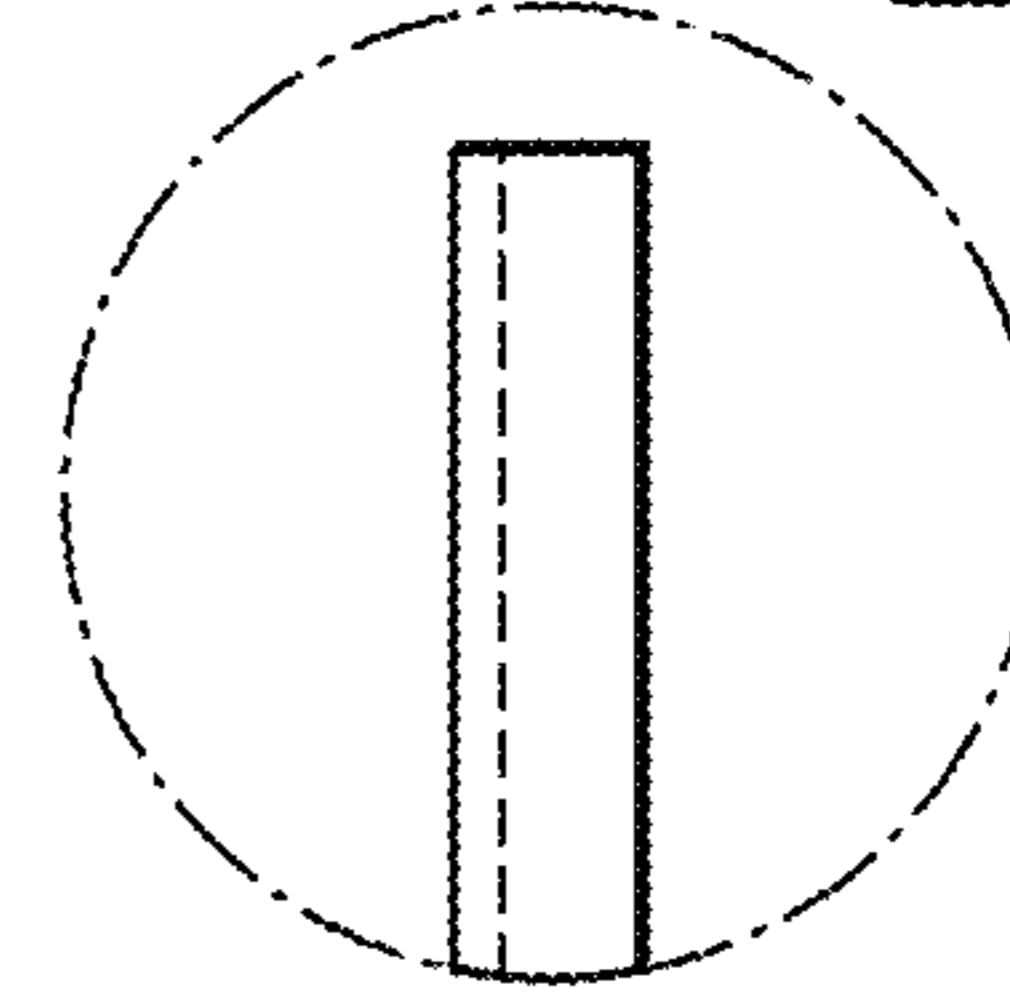


FIG. 15