

US00D792260S

(12) **United States Design Patent** (10) **Patent No.:** **US D792,260 S**
Miller (45) **Date of Patent:** **** Jul. 18, 2017**

(54) **STAND FOR A SENSOR**
(71) Applicant: **Miller Edge, Inc.**, West Grove, PA (US)
(72) Inventor: **Bearge D. Miller**, West Grove, PA (US)
(73) Assignee: **Miller Edge, Inc.**, West Grove, PA (US)

7,178,289 B2 2/2007 Gierl et al.
D595,630 S * 7/2009 McPherson D12/203
D648,447 S * 11/2011 Sims D25/126
D665,436 S * 8/2012 Hird, Jr. D15/199
8,584,401 B2 11/2013 Planck et al.
D710,563 S * 8/2014 Panzer D25/126
D755,988 S * 5/2016 Walker D25/119
2009/0019997 A1 1/2009 Muramatsu
2014/0069014 A1 3/2014 Lee

* cited by examiner

(**) Term: **14 Years**

Primary Examiner — George D Kirschbaum
(74) *Attorney, Agent, or Firm* — Panitch Schwarze
Belisario & Nadel LLP

(21) Appl. No.: **29/514,238**

(22) Filed: **Jan. 9, 2015**

(57) **CLAIM**

(51) **LOC (10) Cl.** **10-05**

The ornamental design for a stand for a sensor, as shown and described.

(52) **U.S. Cl.**
USPC **D10/121**

DESCRIPTION

(58) **Field of Classification Search**
USPC D10/121; D25/119, 126, 120; D12/203;
D15/199

See application file for complete search history.

FIG. 1 is a right side perspective view of a stand for a sensor in accordance with my new design;
FIG. 2 is a front elevational view thereof;
FIG. 3 is a rear elevational view thereof;
FIG. 4 is a right side elevational view thereof;
FIG. 5 is a left side elevational view thereof;
FIG. 6 is a top plan view thereof; and,
FIG. 7 is a bottom plan view thereof.

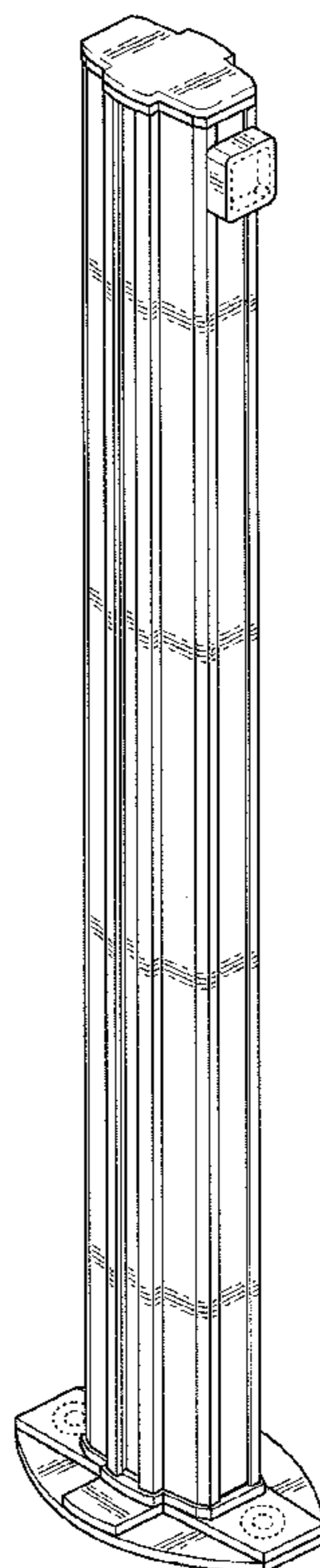
The broken lines in the figures are for the purpose of showing environmental structure and form no part of the claimed design.

(56) **References Cited**

U.S. PATENT DOCUMENTS

5,397,197 A 3/1995 Beavers
5,500,642 A 3/1996 Battle
6,176,039 B1 1/2001 Craig
D467,010 S * 12/2002 Wrightman D25/121
D470,598 S * 2/2003 Schneider D25/126
6,662,499 B1 12/2003 Shin
D504,183 S * 4/2005 McCracken D25/126

1 Claim, 4 Drawing Sheets



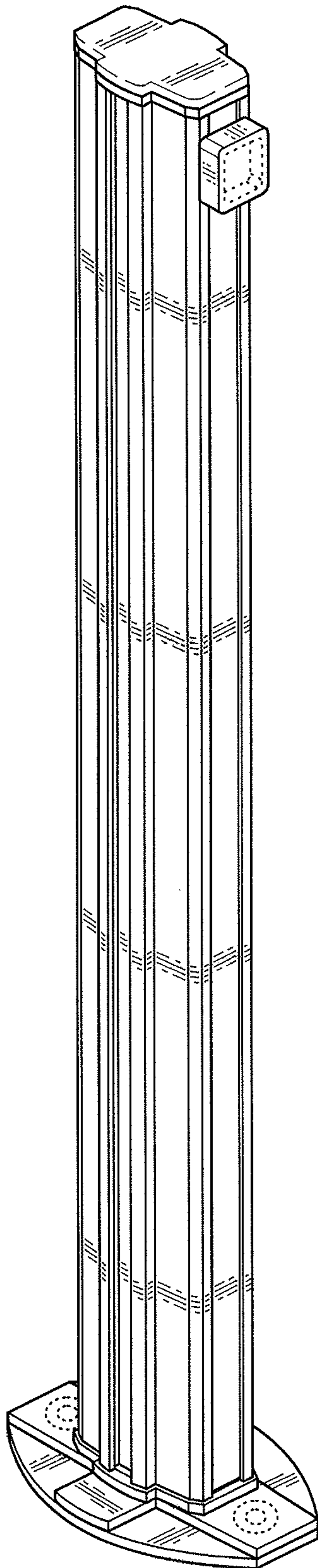


FIG. 1

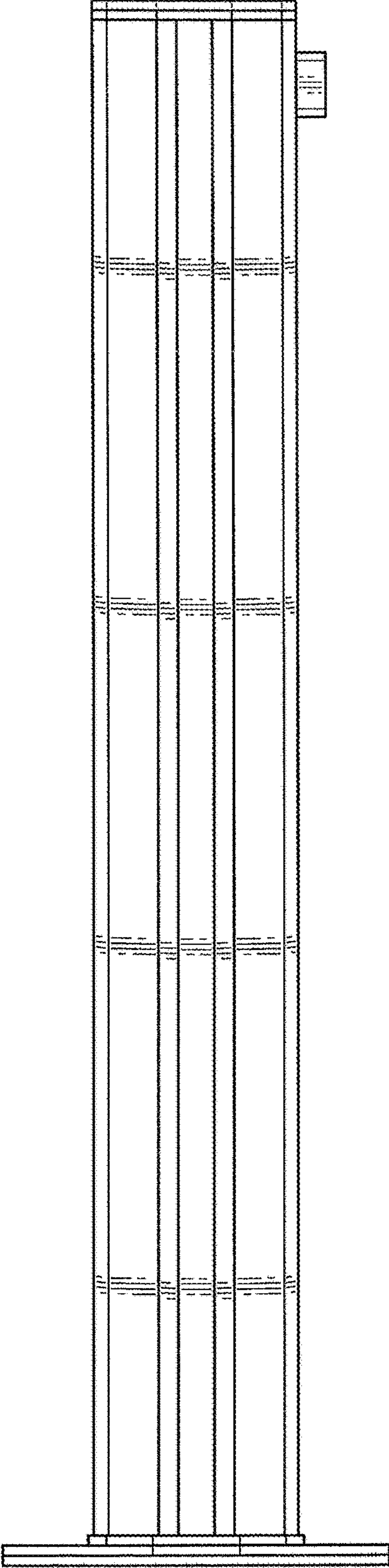


FIG. 2

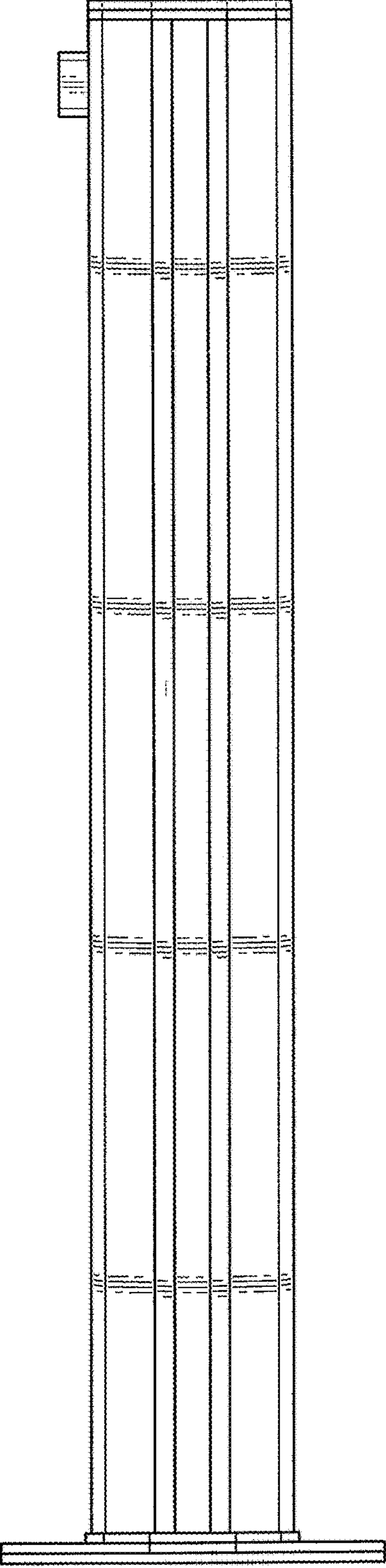


FIG. 3

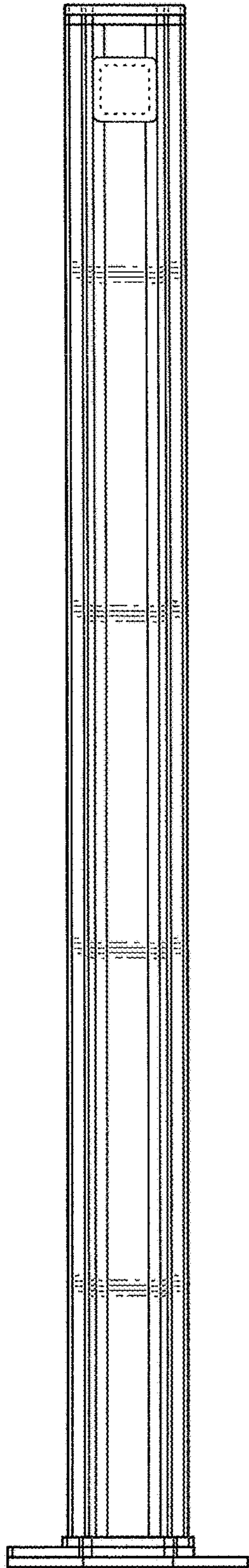


FIG. 4

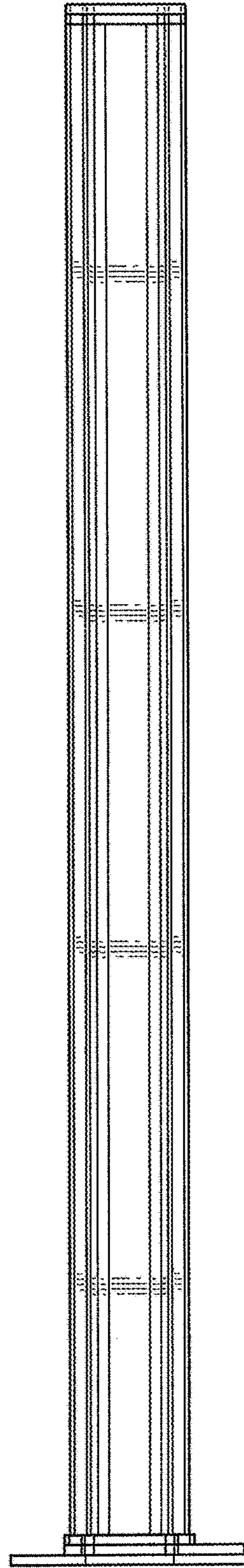


FIG. 5

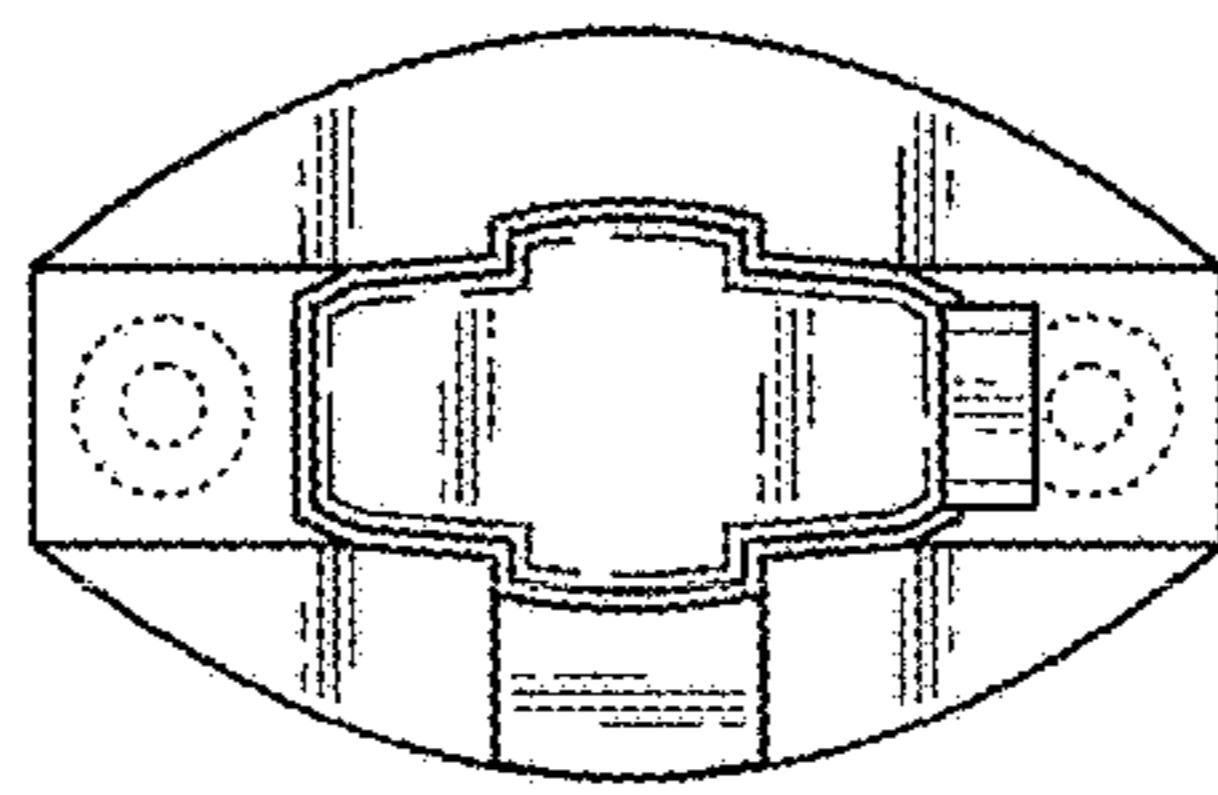


FIG. 6

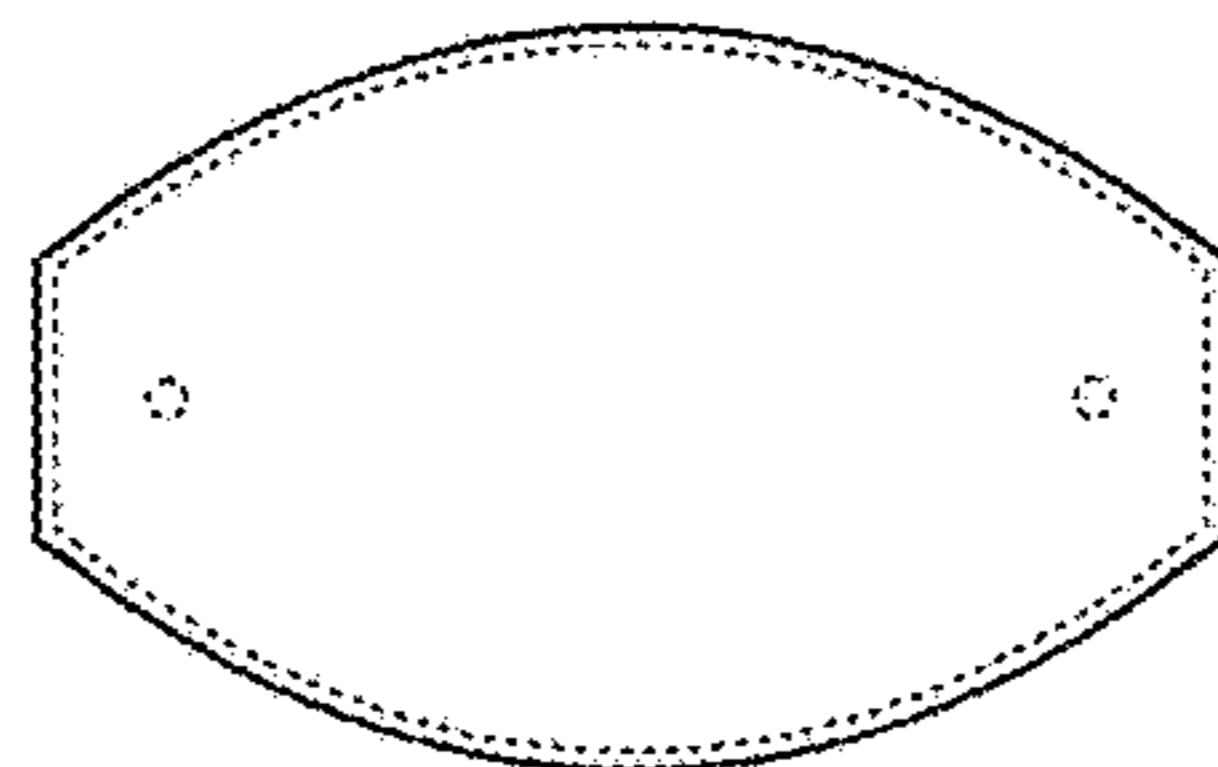


FIG. 7