



US00D792257S

(12) **United States Design Patent**
Azimi

(10) **Patent No.:** **US D792,257 S**
(45) **Date of Patent:** **** Jul. 18, 2017**

(54) **BODY COMPOSITION SCALE**

(71) Applicant: **DynoSense Corp.**, San Jose, CA (US)

(72) Inventor: **Saeed Azimi**, Los Gatos, CA (US)

(73) Assignee: **Dynosense Corp.**, San Jose, CA (US)

(**) Term: **15 Years**

(21) Appl. No.: **29/557,904**

(22) Filed: **Mar. 14, 2016**

(51) **LOC (10) Cl.** **10-04**

(52) **U.S. Cl.**
USPC **D10/92**

(58) **Field of Classification Search**
USPC D10/92
CPC G01G 19/44; G01G 19/445; G01G 19/46;
G01G 19/48; G01G 19/50; G01G 21/28;
G01G 21/44

See application file for complete search history.

(56) **References Cited**

U.S. PATENT DOCUMENTS

D173,913 S * 1/1955 Reinecke D10/92
D193,024 S * 6/1962 Aleks D10/92

* cited by examiner

Primary Examiner — Antoine D Davis

(74) *Attorney, Agent, or Firm* — Dunlap Bennett & Ludwig PLLC

(57) **CLAIM**

The ornamental design for a body composition scale, as shown and described.

DESCRIPTION

FIG. 1 is a front perspective view of the body composition scale;

FIG. 2 is a front elevation view of the body composition scale, the rear elevation view being an identical image thereof;

FIG. 3 is a left side elevation view of the body composition scale, the right side elevation view being a mirror image thereof;

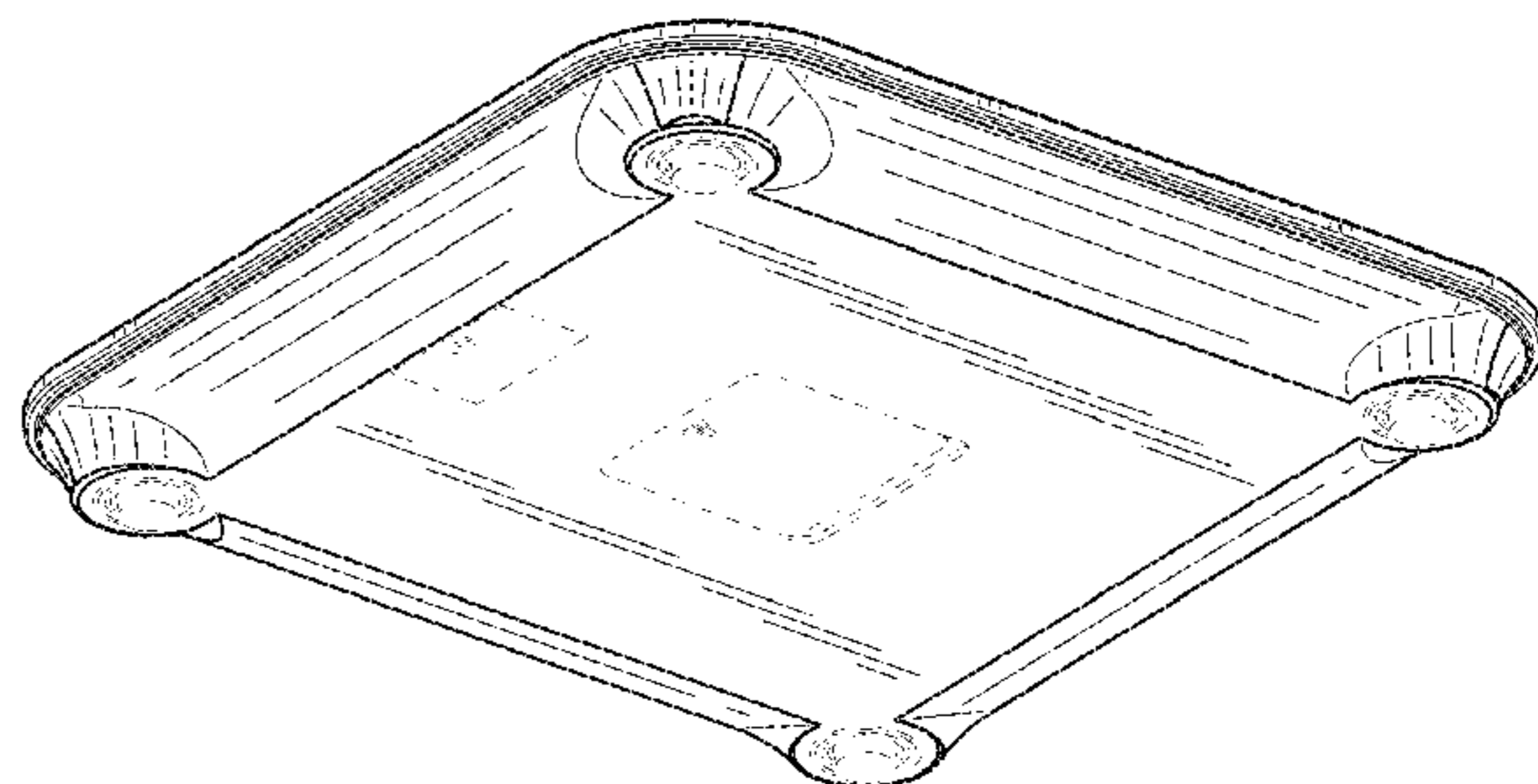
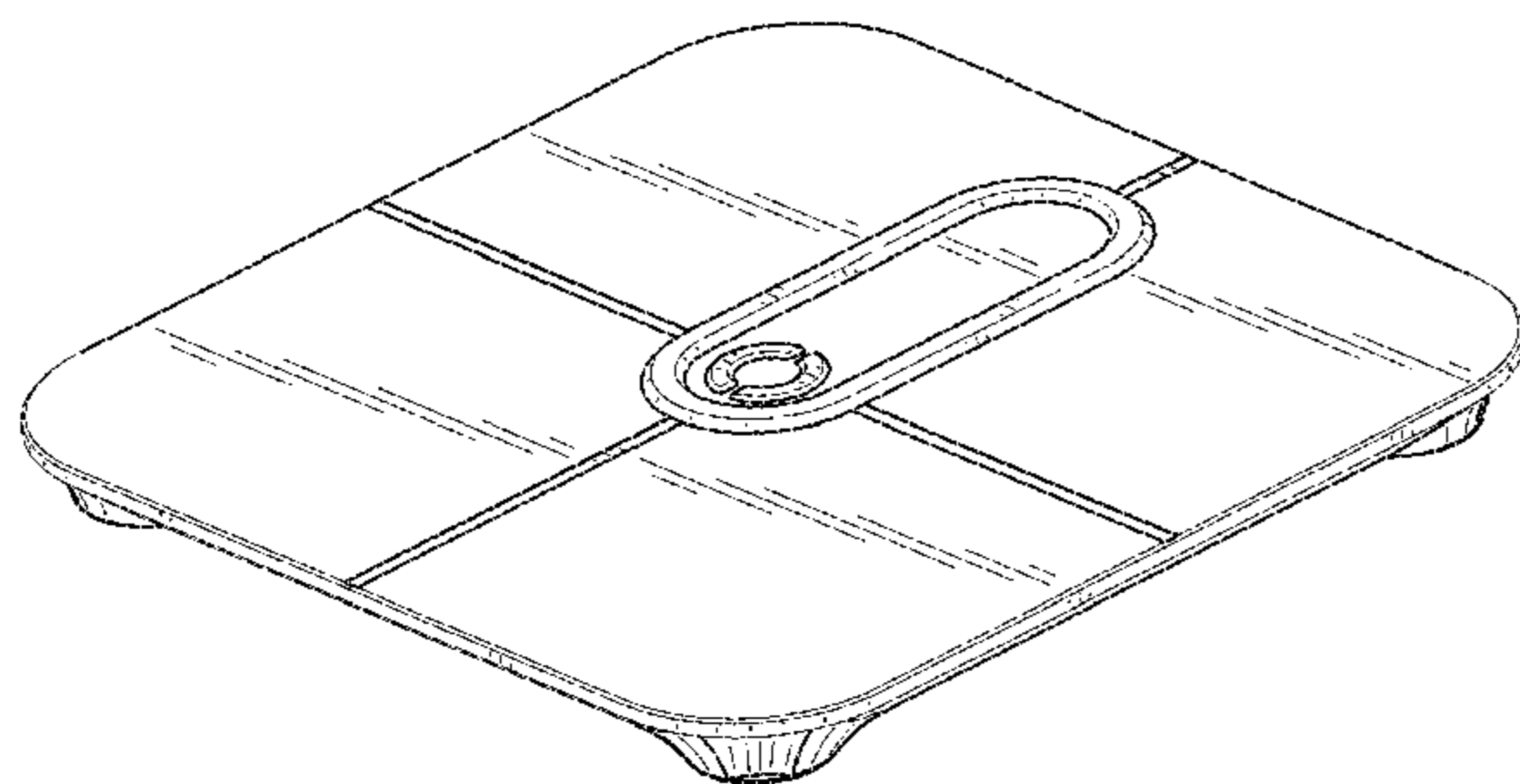
FIG. 4 is a top plan view thereof;

FIG. 5 is a bottom plan view thereof; and,

FIG. 6 is a bottom perspective view thereof.

The broken lines shown in the drawings illustrate portions of the body composition scale that form no part of the claimed design.

1 Claim, 4 Drawing Sheets



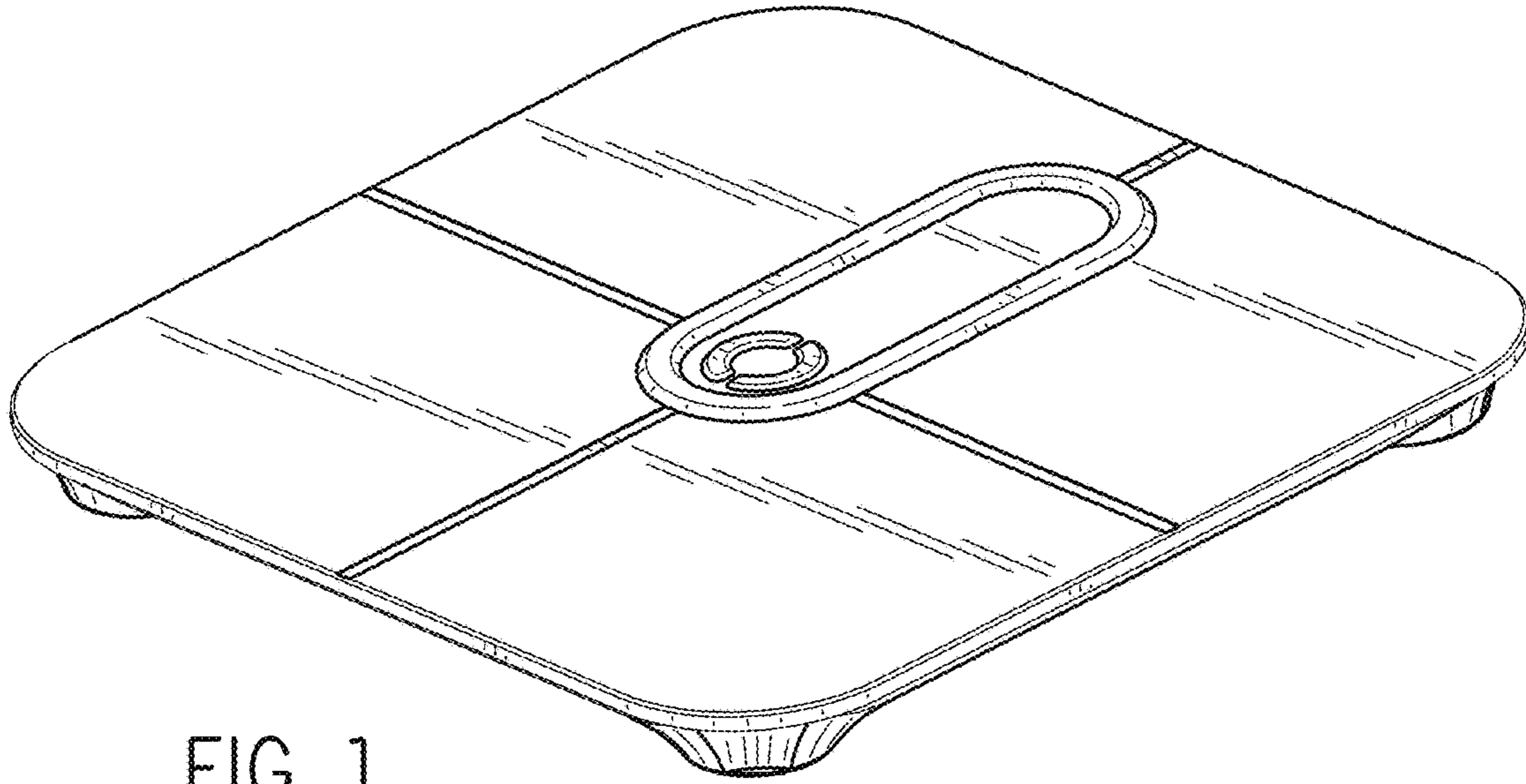


FIG. 1



FIG. 2

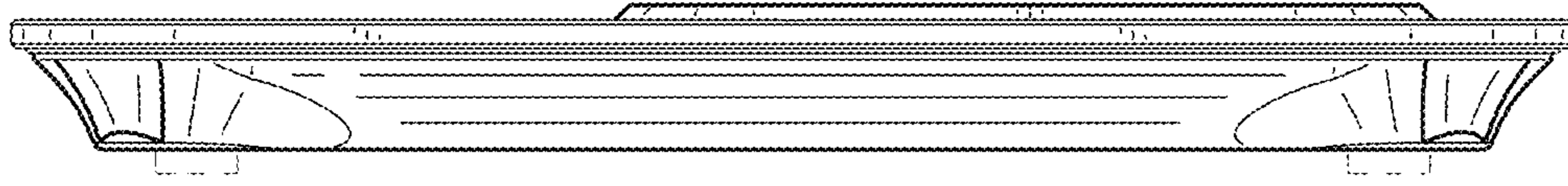


FIG. 3

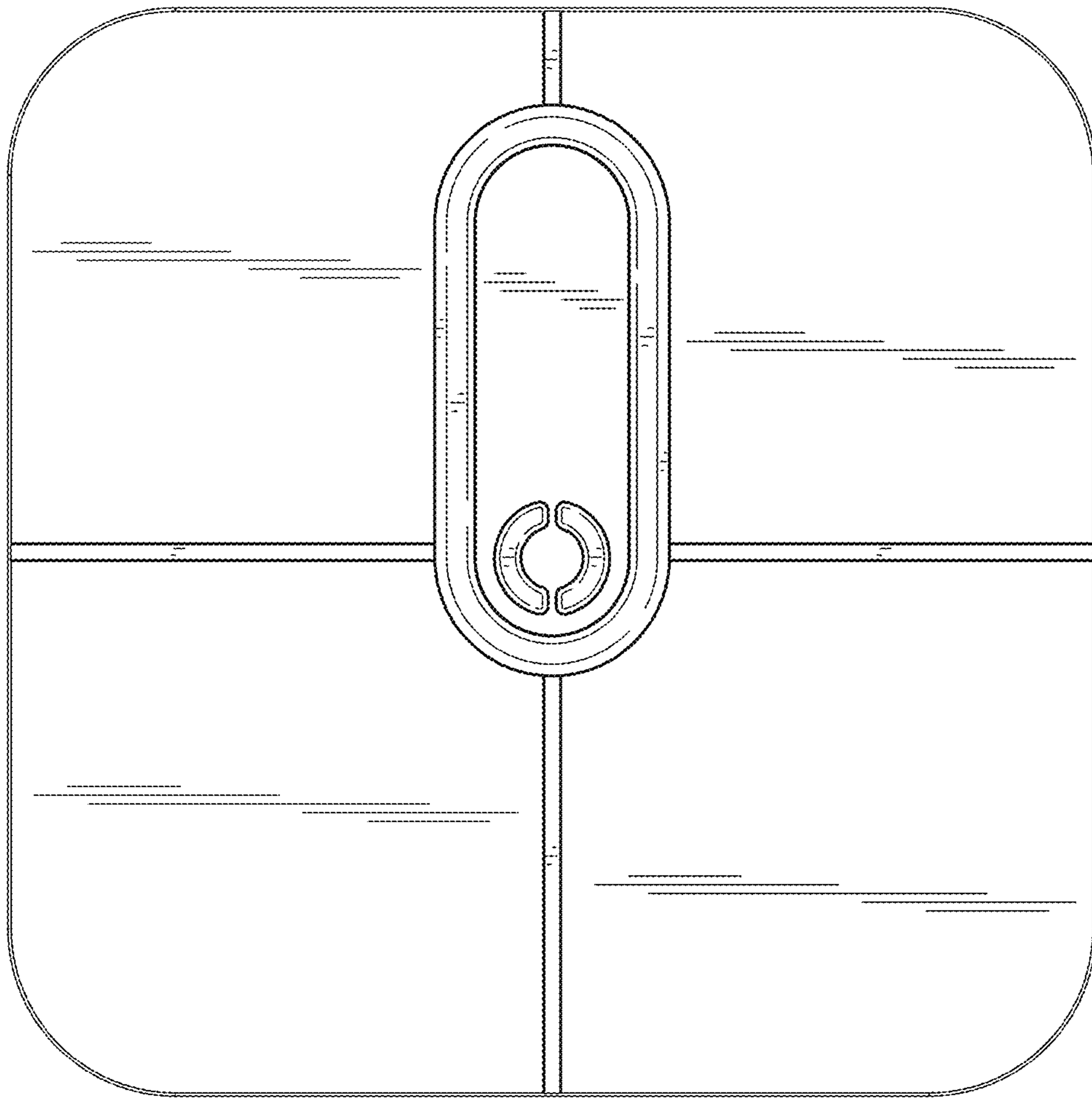


FIG. 4

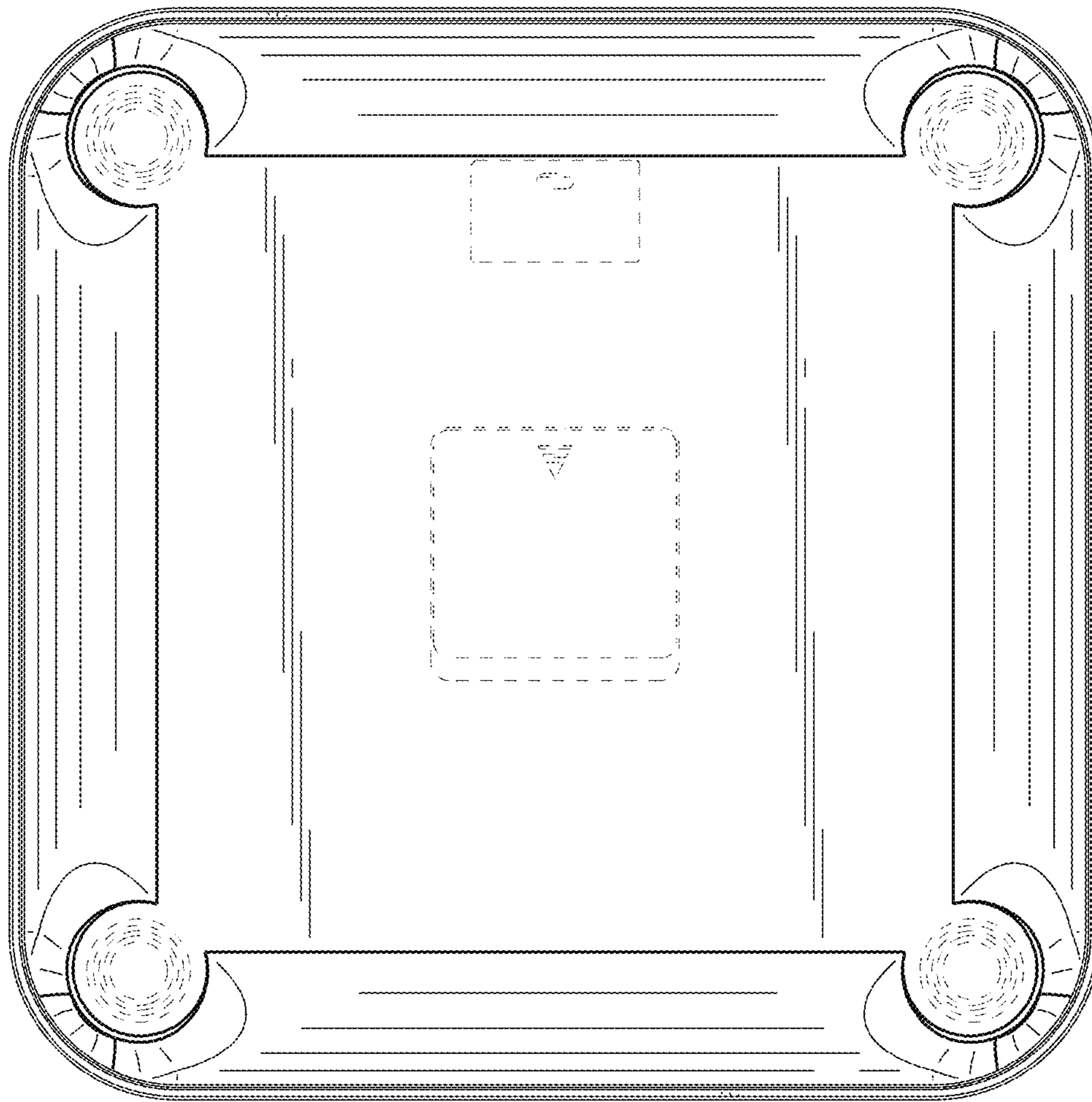


FIG. 5

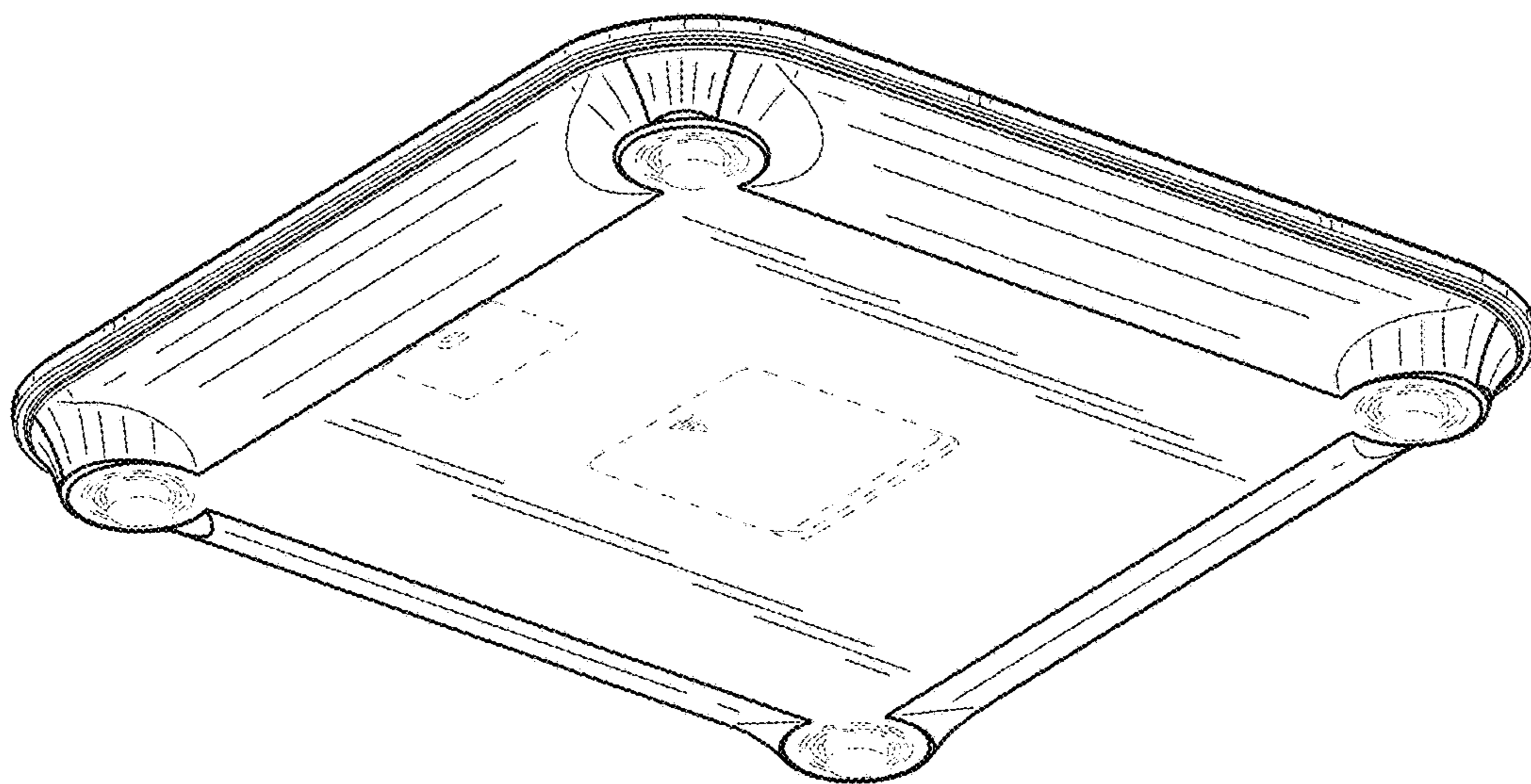


FIG. 6