



US00D792252S

(12) **United States Design Patent**  
**Garner**

(10) **Patent No.:** **US D792,252 S**

(45) **Date of Patent:** **\*\* Jul. 18, 2017**

(54) **VOLTAGE DETECTOR**

(71) Applicant: **HD Electric Company**, Waukegan, IL (US)

(72) Inventor: **Michael Scott Garner**, North Barrington, IL (US)

(73) Assignee: **HD ELECTRIC COMPANY**, Waukegan, IL (US)

(\*\*) Term: **15 Years**

(21) Appl. No.: **29/563,315**

(22) Filed: **May 4, 2016**

(51) **LOC (10) Cl.** ..... **10-04**

(52) **U.S. Cl.**  
USPC ..... **D10/75**

(58) **Field of Classification Search**  
USPC ..... D10/75  
CPC ..... G01R 19/14; G01R 19/145; G01R 1/15;  
G01R 19/155; G01R 1/07; G01R 1/06788; G01R 1/06794; G01R 1/071;  
G01R 1/072; G01R 1/067; G01R 1/06705; G01R 1/06711; G01R 1/06733;  
G01R 1/06738; G01R 1/06744; G01R 1/0675; G01R 1/06

See application file for complete search history.

(56) **References Cited**

U.S. PATENT DOCUMENTS

D577,300 S \* 9/2008 Radecke ..... D10/75  
D650,116 S \* 12/2011 Buyce ..... D26/118

\* cited by examiner

*Primary Examiner* — Antoine D Davis

(74) *Attorney, Agent, or Firm* — Klintworth & Rozenblat IP LLC

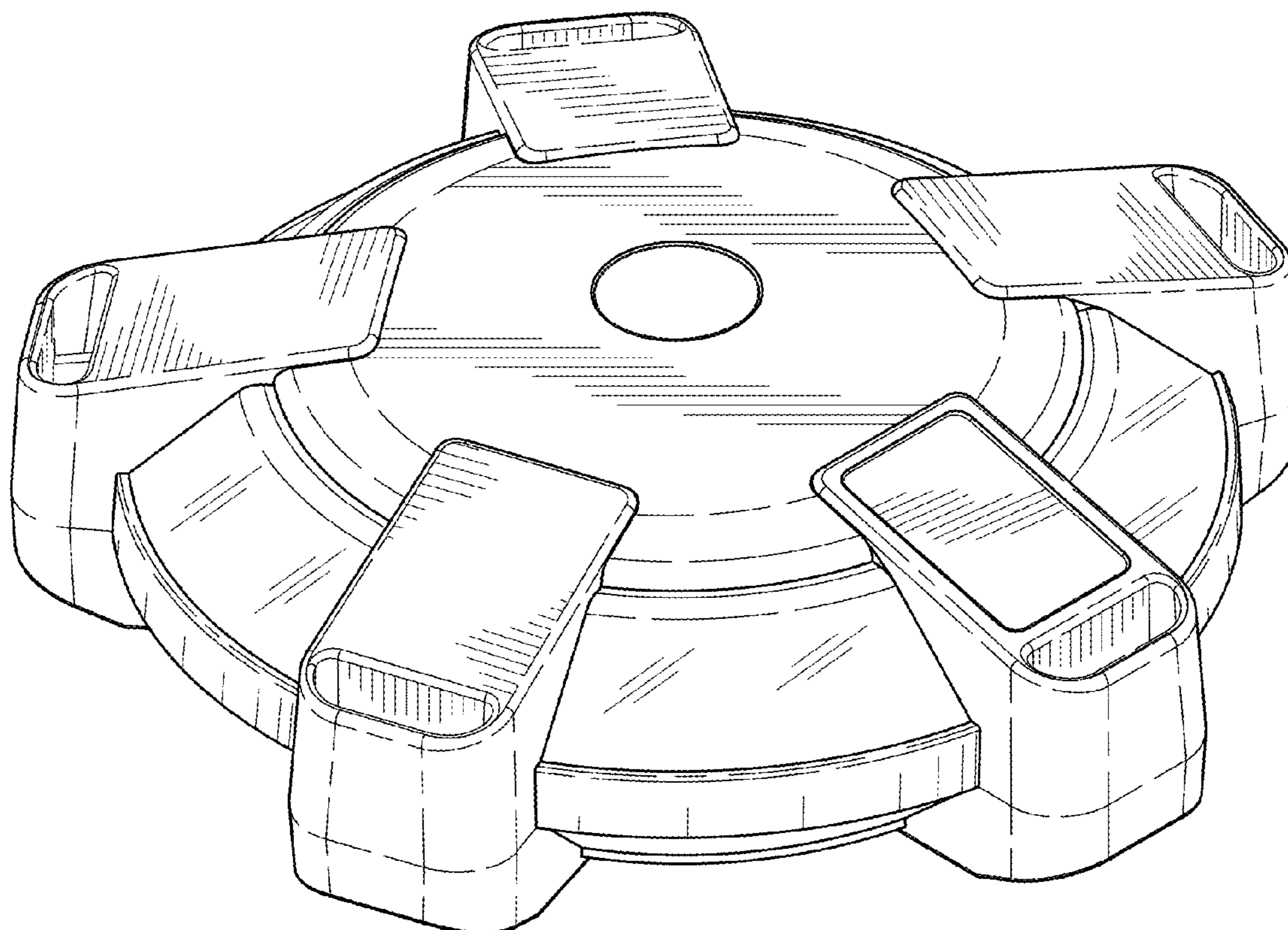
(57) **CLAIM**

The ornamental design for a voltage detector, as shown and described.

**DESCRIPTION**

FIG. 1 is a perspective view of the voltage detector; FIG. 2 is a first side elevation view of the voltage detector; FIG. 3 is a second side elevation view of the voltage detector; FIG. 4 is a third side elevation view of the voltage detector; FIG. 5 is a fourth side elevation view of the voltage detector; FIG. 6 is a top plan view of the voltage detector; and, FIG. 7 is a bottom plan view of the voltage detector.

**1 Claim, 5 Drawing Sheets**



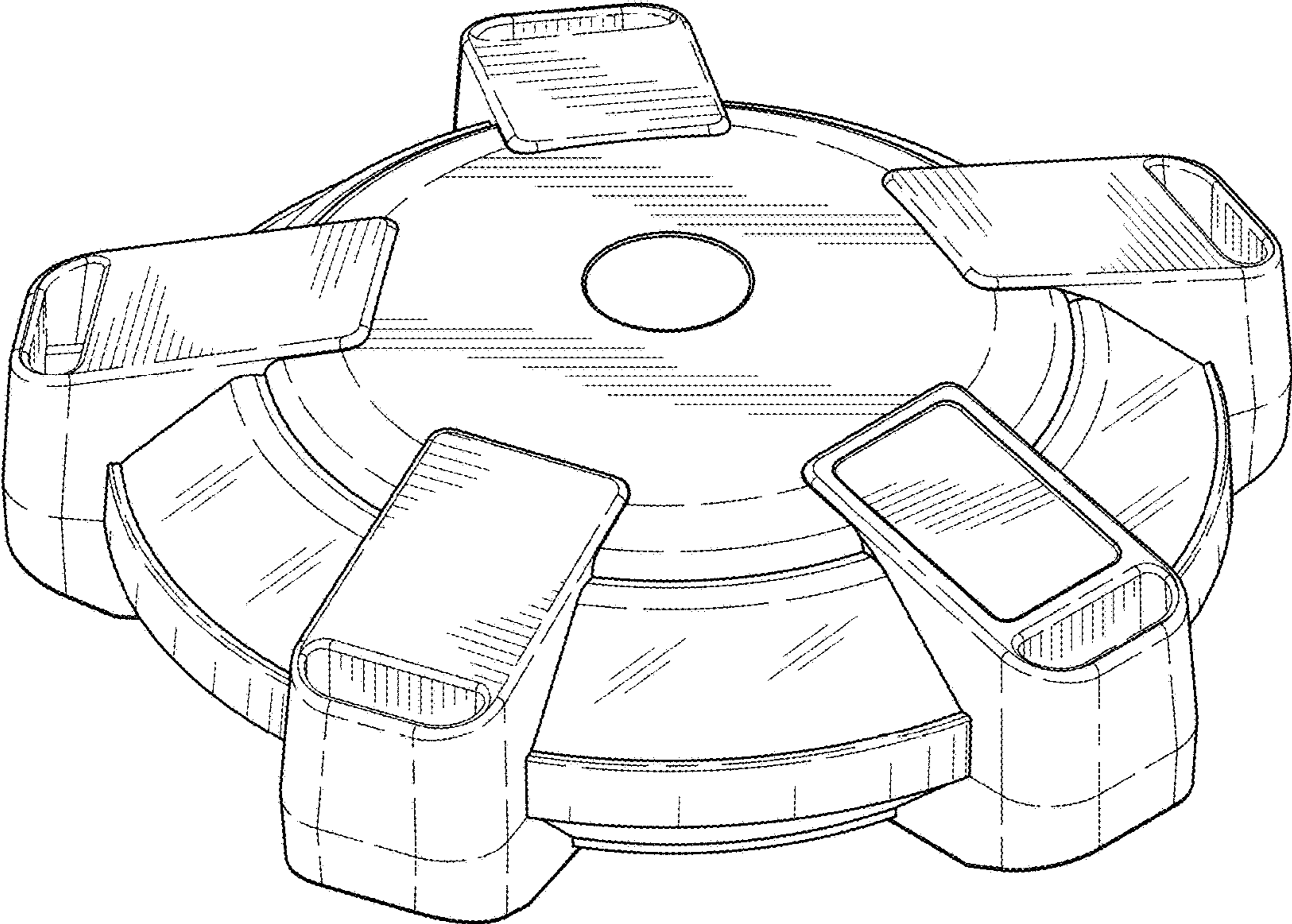


FIG. 1

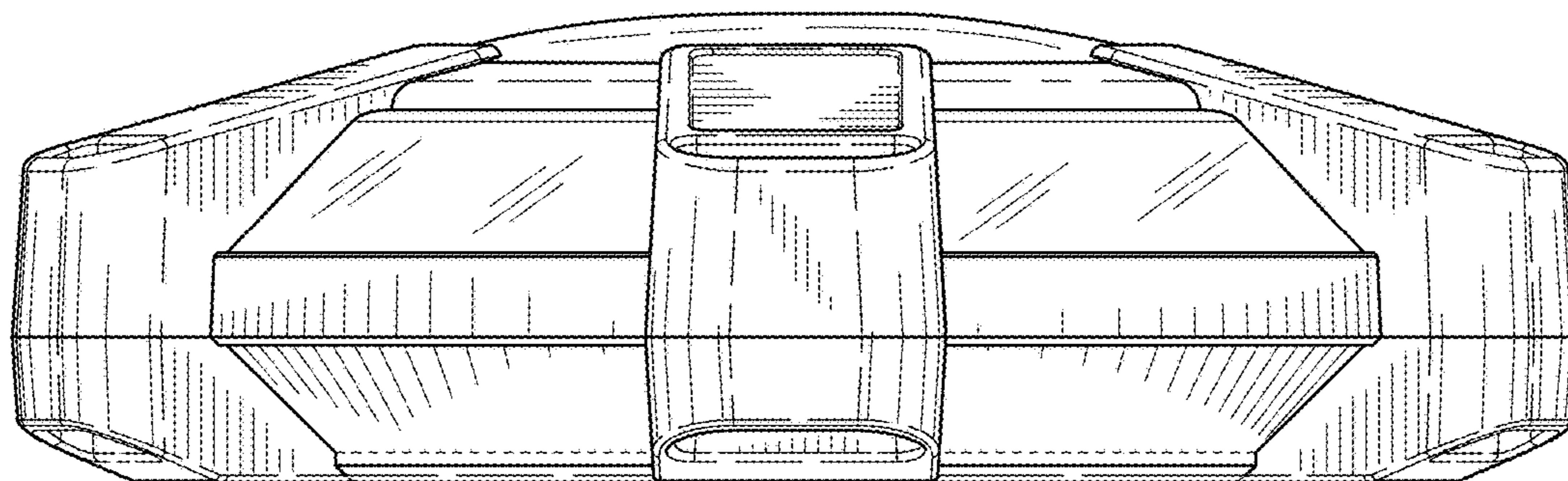


FIG. 2

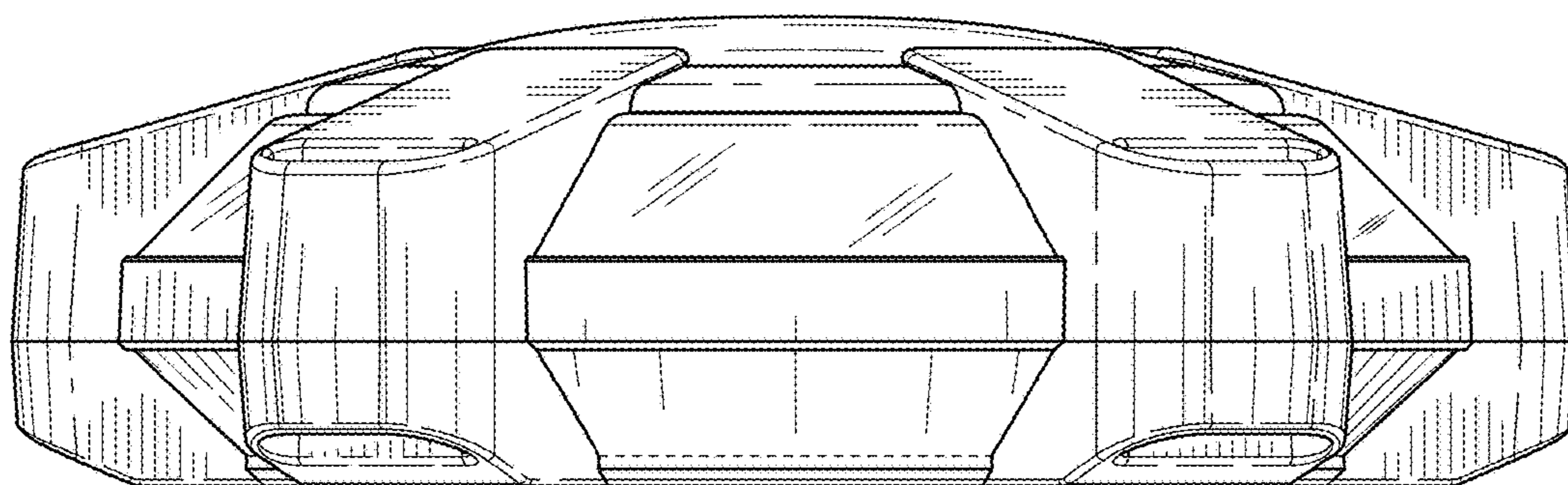


FIG. 3

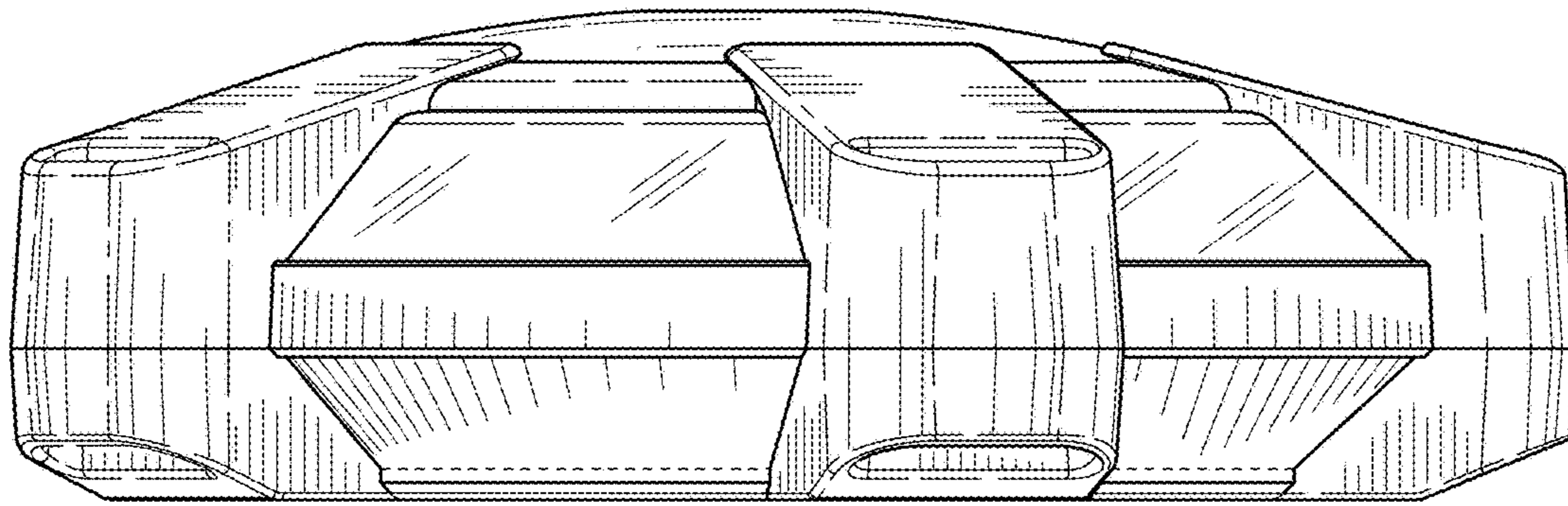


FIG. 4

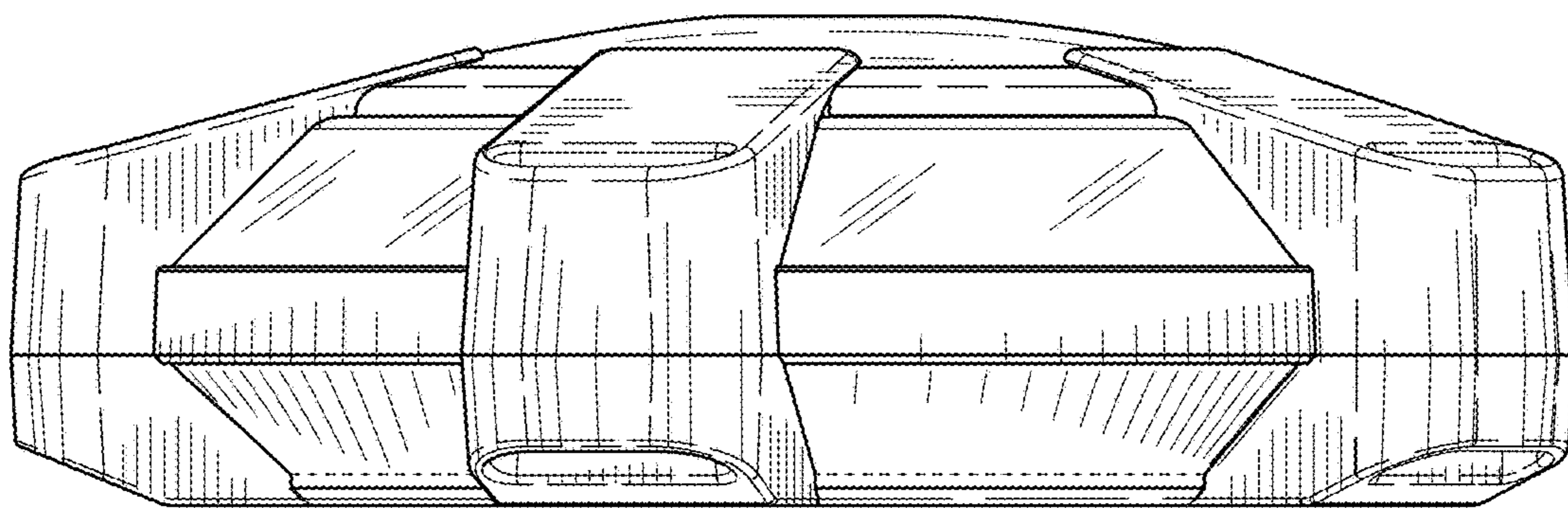


FIG. 5

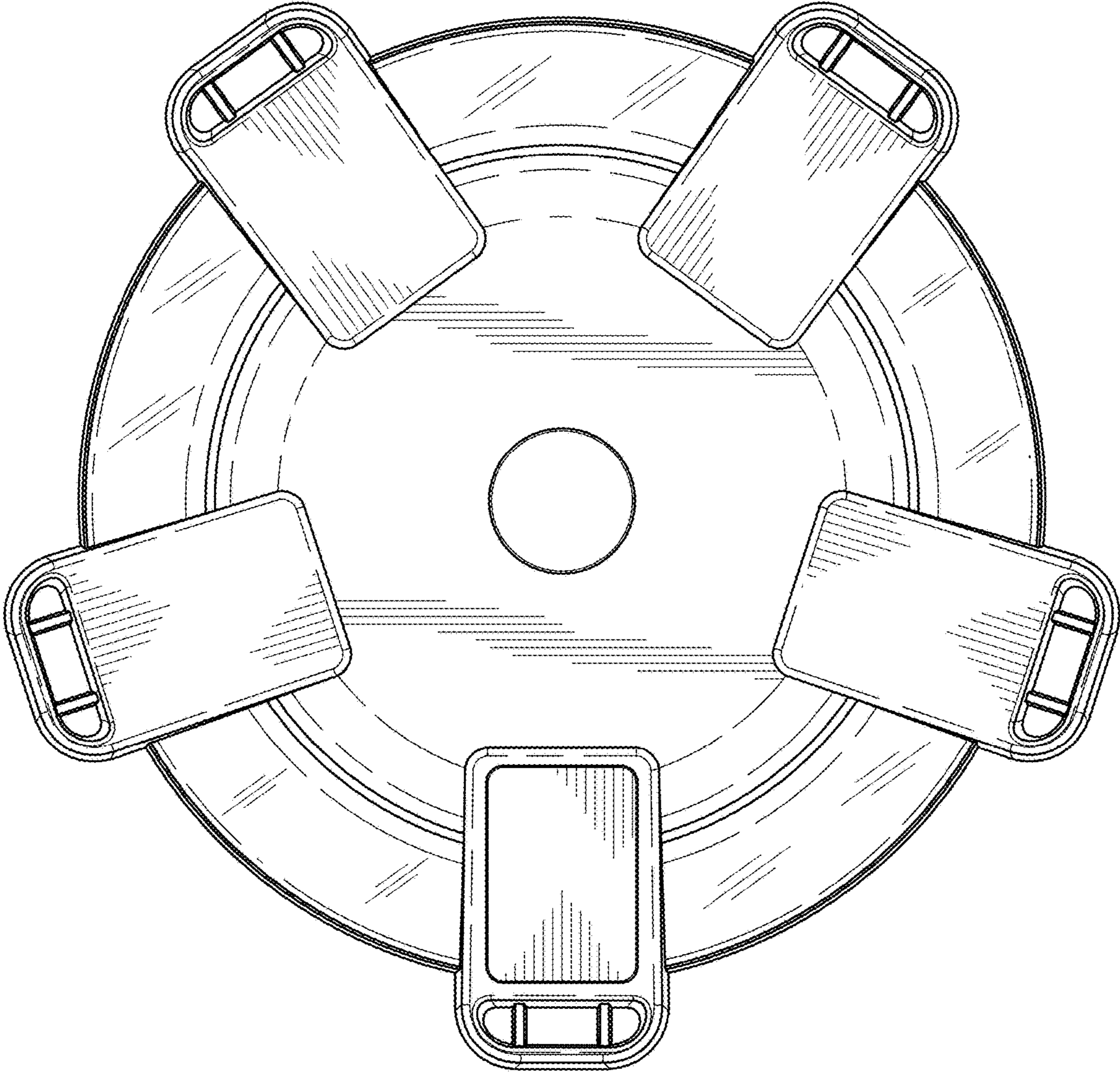


FIG. 6

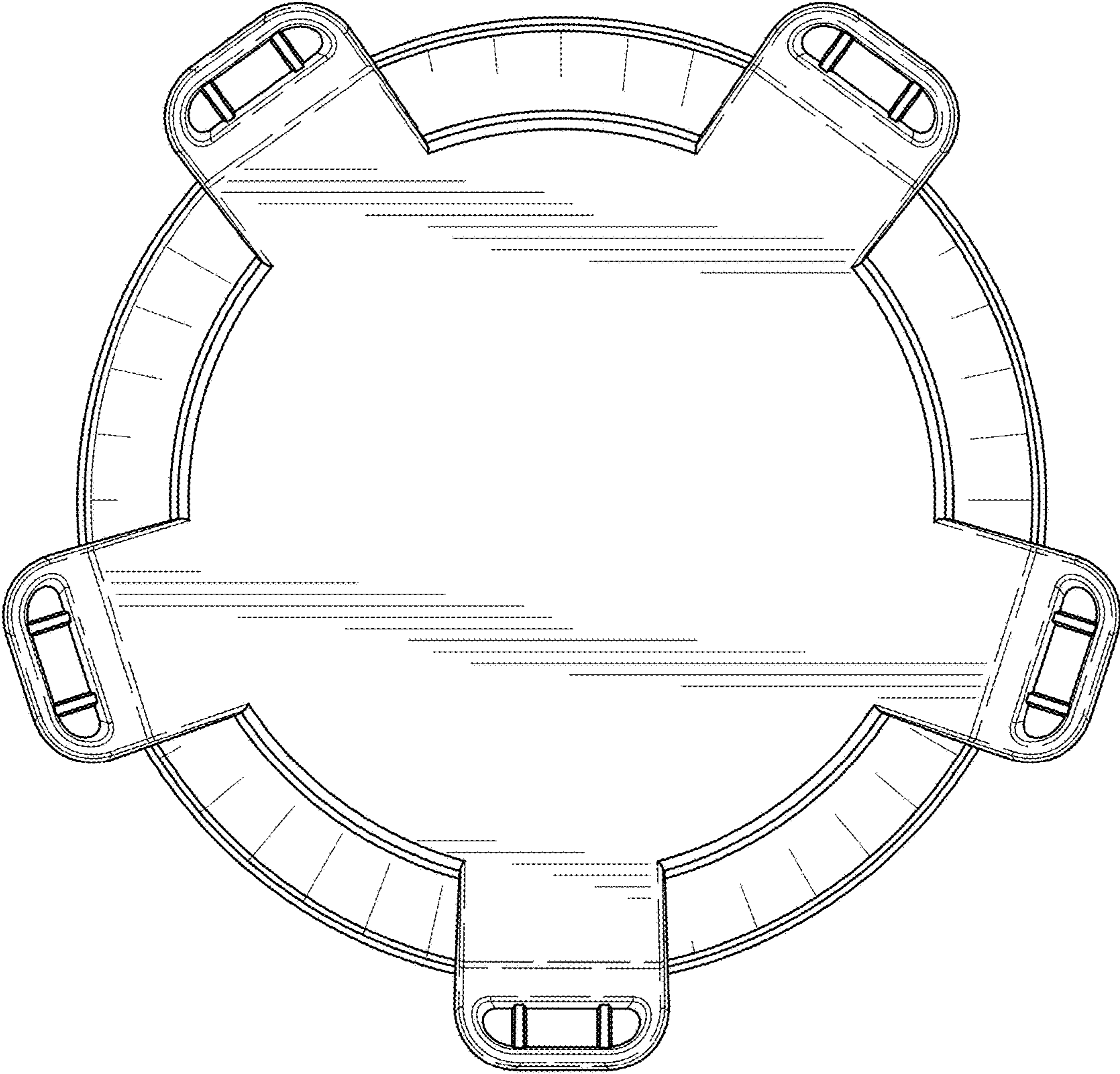


FIG. 7