



US00D792251S

(12) **United States Design Patent**
Matsumiya et al.

(10) **Patent No.:** **US D792,251 S**
(45) **Date of Patent:** **** Jul. 18, 2017**

(54) **DIGITAL MEASURING GAUGE**

FOREIGN PATENT DOCUMENTS

- (71) Applicant: **MITUTOYO CORPORATION**,
Kawasaki, Kanagawa (JP)
- (72) Inventors: **Sadayuki Matsumiya**, Sagamihara
(JP); **Shigeru Ohtani**, Kawasaki (JP);
Yuji Oura, Tokyo (JP)
- (73) Assignee: **MITUTOYO CORPORATION**,
Kawasaki (JP)

JP	D824773 S	9/1991
JP	D922014 S	12/1994
JP	D948048 S	12/1995
JP	D948048.001 S	10/1998

- (**) Term: **15 Years**
- (21) Appl. No.: **29/555,537**
- (22) Filed: **Feb. 23, 2016**

OTHER PUBLICATIONS

Ono Sokki Co., Ltd., https://www.onosokki.co.jp/HP-WK/whats_new/press/10_06_28.htm.

* cited by examiner

Primary Examiner — Antoine D Davis
(74) *Attorney, Agent, or Firm* — Oliff PLC

(30) **Foreign Application Priority Data**

- Sep. 30, 2015 (JP) 2015-021578
- (51) **LOC (10) Cl.** **10-04**
- (52) **U.S. Cl.**
USPC **D10/70**

(57) **CLAIM**

The ornamental design for a digital measuring gauge, as shown and described.

- (58) **Field of Classification Search**
USPC D10/70
CPC . G01B 21/00; G01D 5/00; G01D 5/12; G01D
5/14; G01D 5/26; G01D 5/39; G01D
5/40; G01D 5/42; G01D 5/48; G01D
5/54; G01D 11/24; G01D 11/245; G01D
11/26; G01D 11/28
See application file for complete search history.

DESCRIPTION

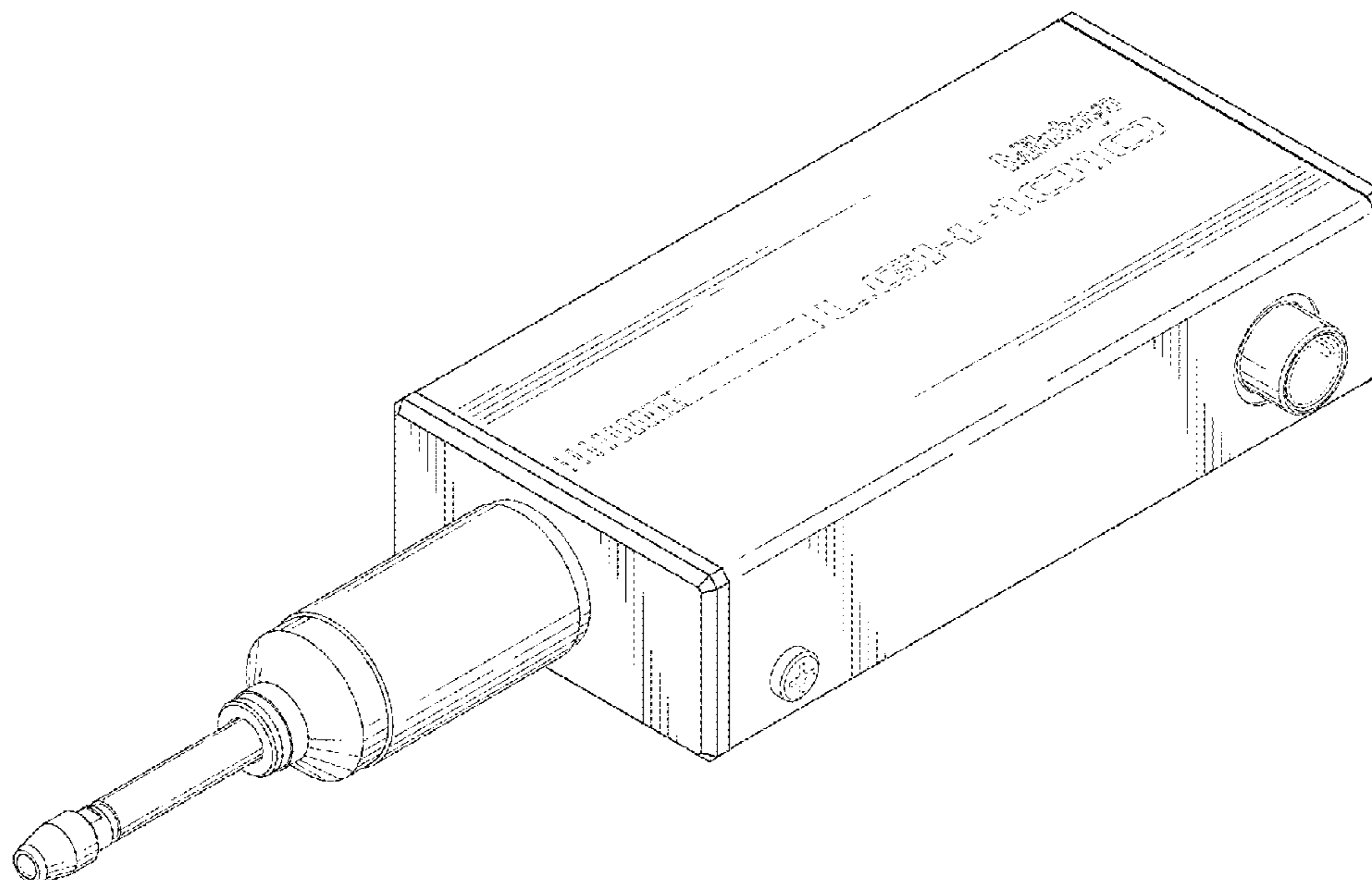
FIG. 1 is a perspective view of a digital measuring gauge;
FIG. 2 is a front view thereof;
FIG. 3 is a rear view thereof;
FIG. 4 is a left-side view thereof;
FIG. 5 is a right-side view thereof;
FIG. 6 is a top view thereof; and,
FIG. 7 is a bottom view thereof.
The broken lines depict environmental subject matter only
and form no part of the claimed design.

(56) **References Cited**

U.S. PATENT DOCUMENTS

- 8,479,403 B2 * 7/2013 Jordil G01B 5/012
33/503

1 Claim, 4 Drawing Sheets



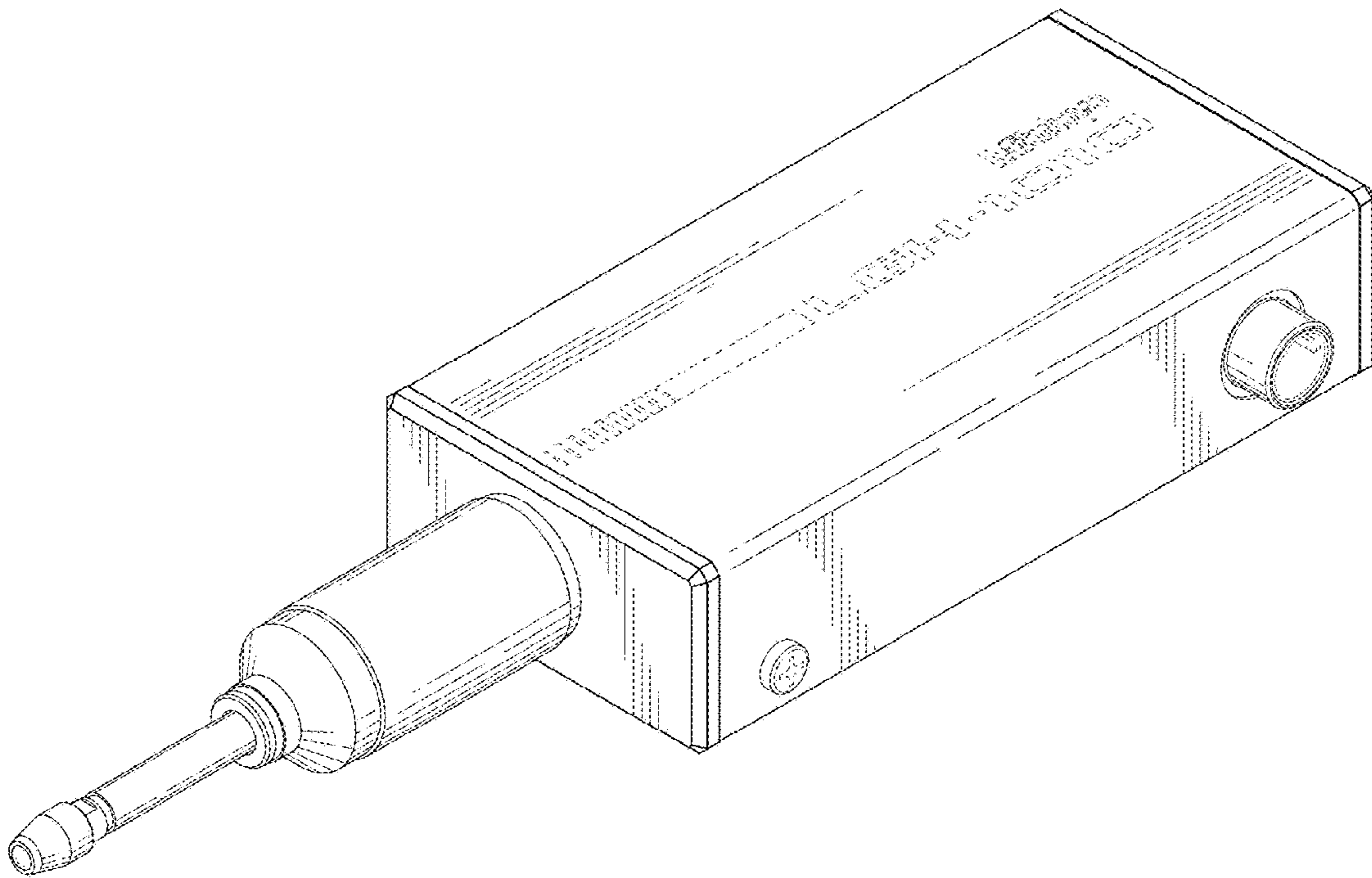


FIG. 1

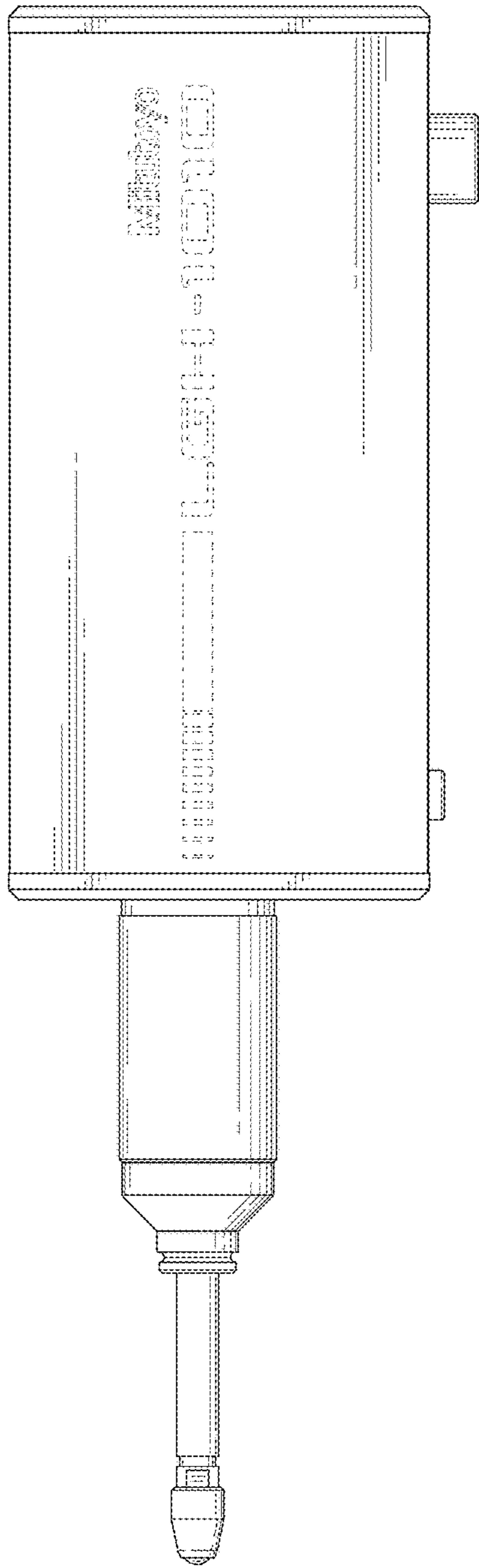


FIG. 2

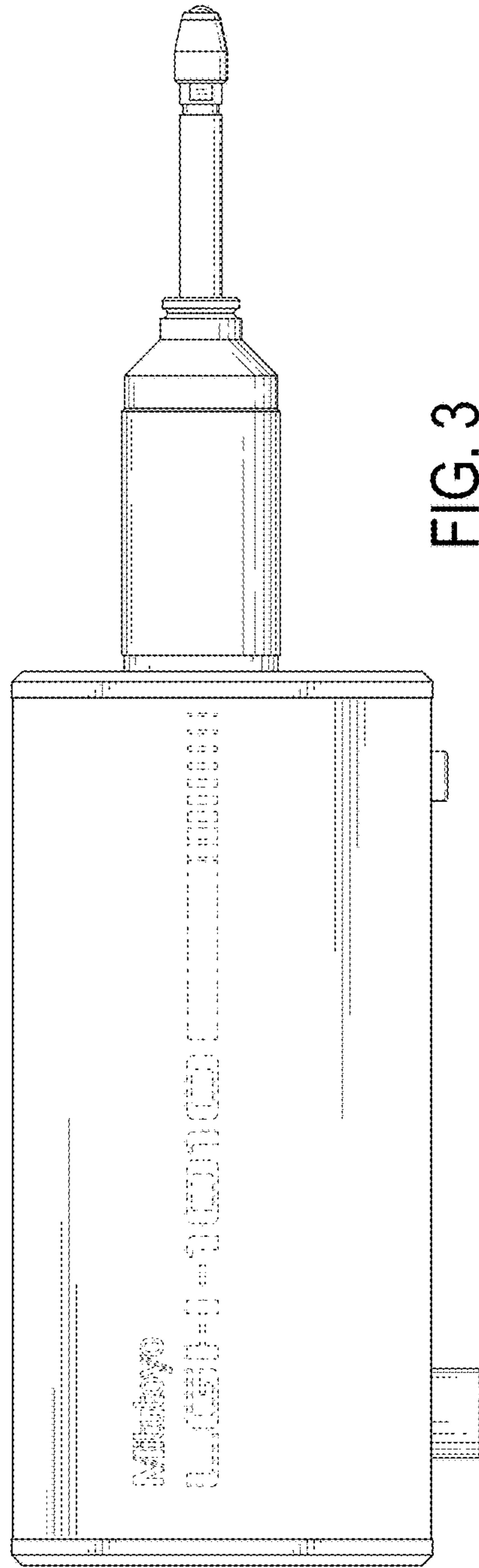


FIG. 3

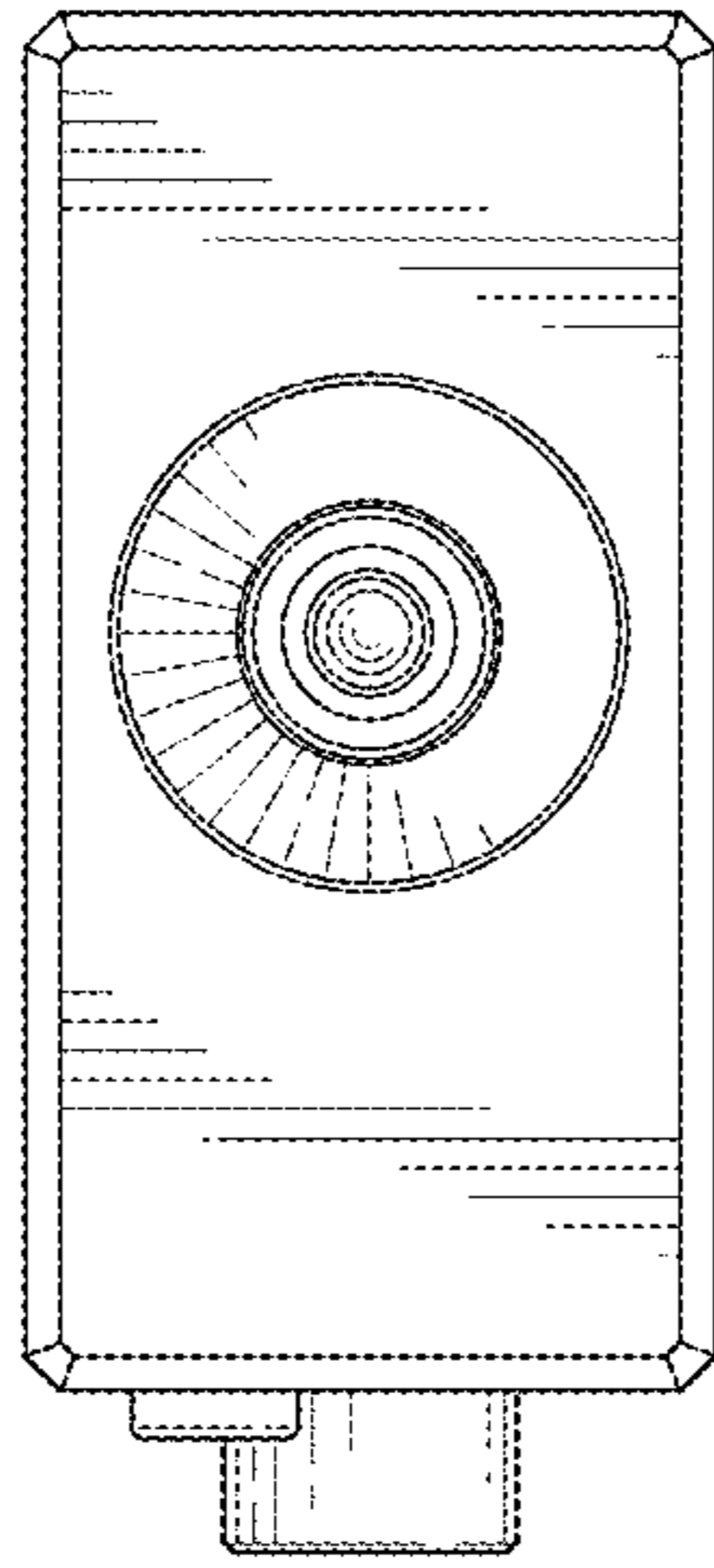


FIG. 4

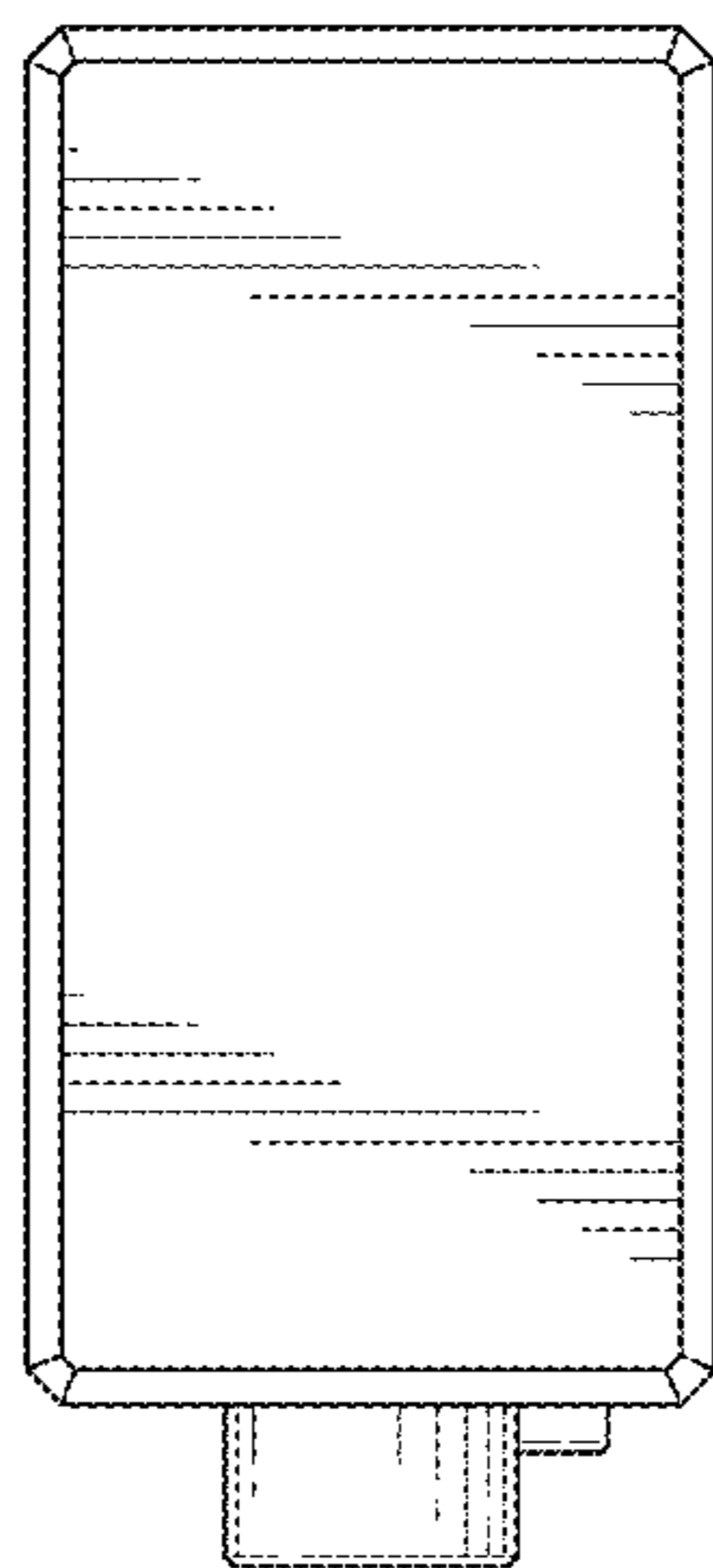


FIG. 5

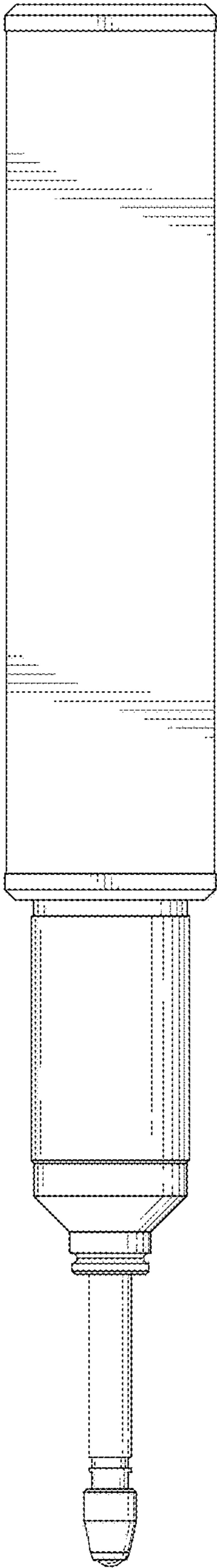


FIG. 6

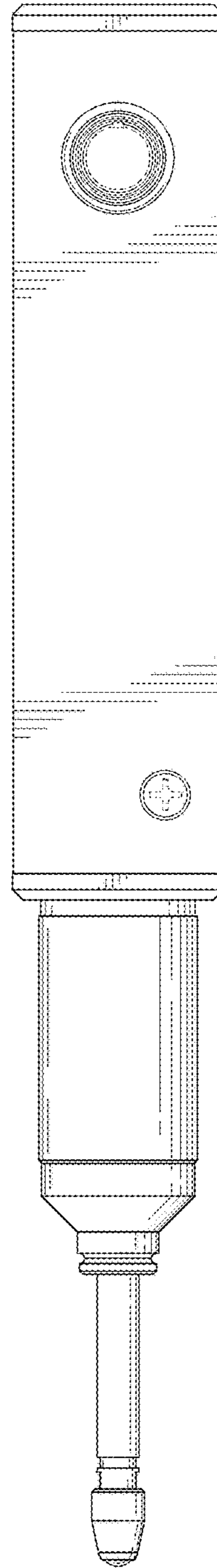


FIG. 7