



US00D792249S

(12) **United States Design Patent**
Bosanac

(10) **Patent No.:** **US D792,249 S**
(45) **Date of Patent:** **** Jul. 18, 2017**

(54) **WALLPAPER LEVEL EDGE TOOL**

(71) Applicant: **Cecilia D. Bosanac**, Monroe, MI (US)

(72) Inventor: **Cecilia D. Bosanac**, Monroe, MI (US)

(73) Assignee: **Cecilia D. Bosanac**, Monroe, MI (US)

(**) Term: **15 Years**

(21) Appl. No.: **29/556,299**

(22) Filed: **Feb. 29, 2016**

(51) **LOC (10) Cl.** **10-04**

(52) **U.S. Cl.**
USPC **D10/62; D10/69**

(58) **Field of Classification Search**
USPC D10/62, 69
CPC B44C 9/26; G01C 9/24; G01C 9/26; G01C 9/28; G01C 9/30; G01C 9/32; G01C 9/34; G01C 9/36

See application file for complete search history.

(56) **References Cited**

U.S. PATENT DOCUMENTS

D189,590 S	1/1961	White	
D206,766 S	1/1967	Manville	
4,922,621 A *	5/1990	Maier	B25H 7/00
			33/451
5,279,041 A *	1/1994	Wright	G01C 9/28
			33/379
6,223,801 B1	5/2001	Mitchell	
6,240,650 B1 *	6/2001	Olson	B44C 7/08
			33/354
D460,924 S	7/2002	Hitchcock	
6,412,178 B1	7/2002	Vicedomini	
6,425,155 B1	7/2002	Carey	
D486,084 S *	2/2004	Kun, Sr.	D10/69
D488,729 S	4/2004	Golaszewski et al.	
D497,316 S *	10/2004	Kun, Sr.	D10/69

6,973,733 B2	12/2005	Levine	
7,117,606 B2 *	10/2006	Brown	G01C 9/28
			33/365
D596,056 S *	7/2009	Scheyer	D10/69
7,743,522 B2	6/2010	Ruzio	
9,360,289 B2 *	6/2016	Harris	G01B 3/566

FOREIGN PATENT DOCUMENTS

GB	2190422 A	11/1987
GB	2451462 A	2/2009

* cited by examiner

Primary Examiner — Antoine D Davis

(74) *Attorney, Agent, or Firm* — Dinsmore & Shohl LLP; Douglas McEvoy

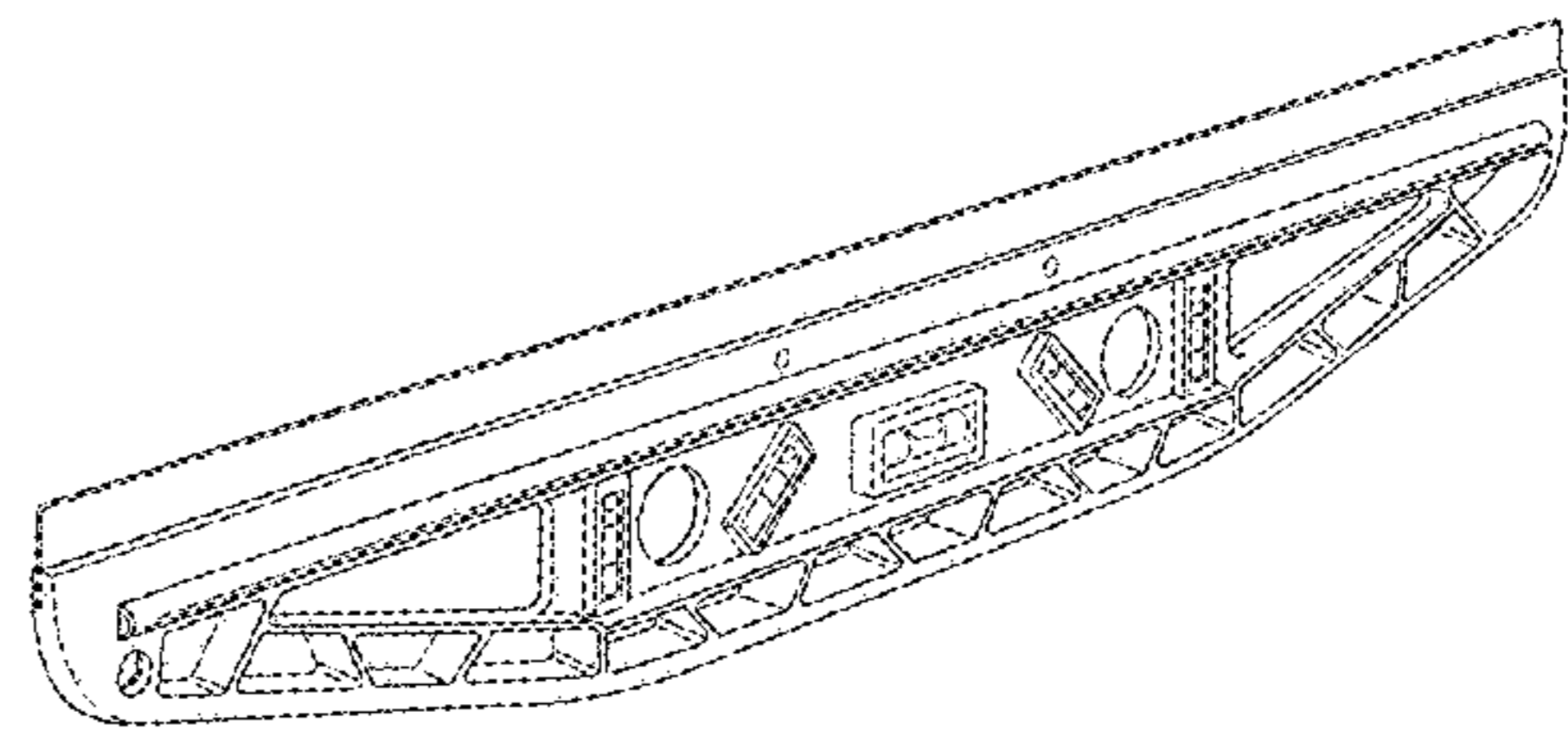
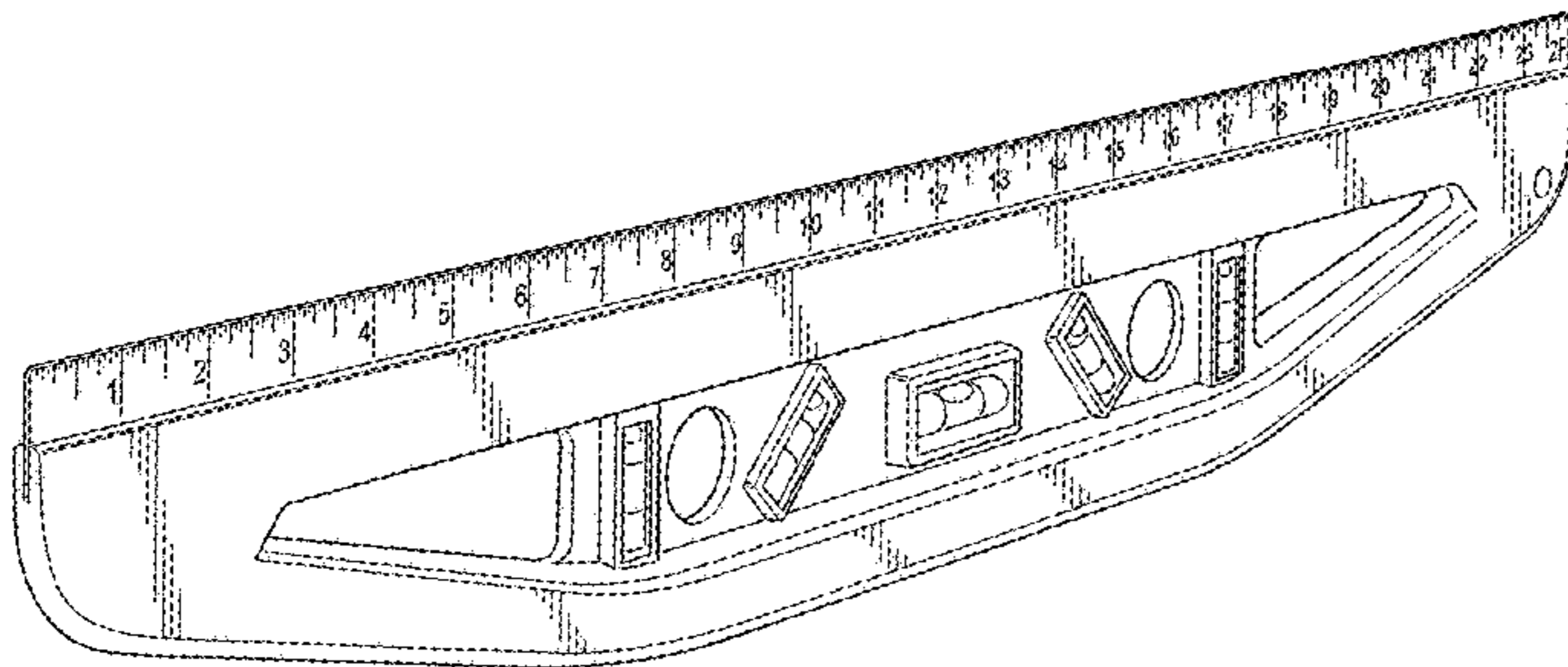
(57) **CLAIM**

The ornamental design for a wallpaper level edge tool, as shown and described.

DESCRIPTION

FIG. 1 is a perspective illustration of the present design; FIG. 2 is a further rotated perspective illustration of the present design; FIG. 3 is a first plan view illustration of the present design corresponding to the perspective view of FIG. 1; FIG. 4 is a second rotated plan view illustration of the present design corresponding to the perspective view of FIG. 2; FIG. 5 is a top view of the present design as shown in each of FIGS. 1-4; FIG. 6 is a right side plan view of the present design; FIG. 7 is a left side plan view of the present design; and, FIG. 8 is a bottom plan view of the present design as again shown in each of FIGS. 1-4.

1 Claim, 4 Drawing Sheets



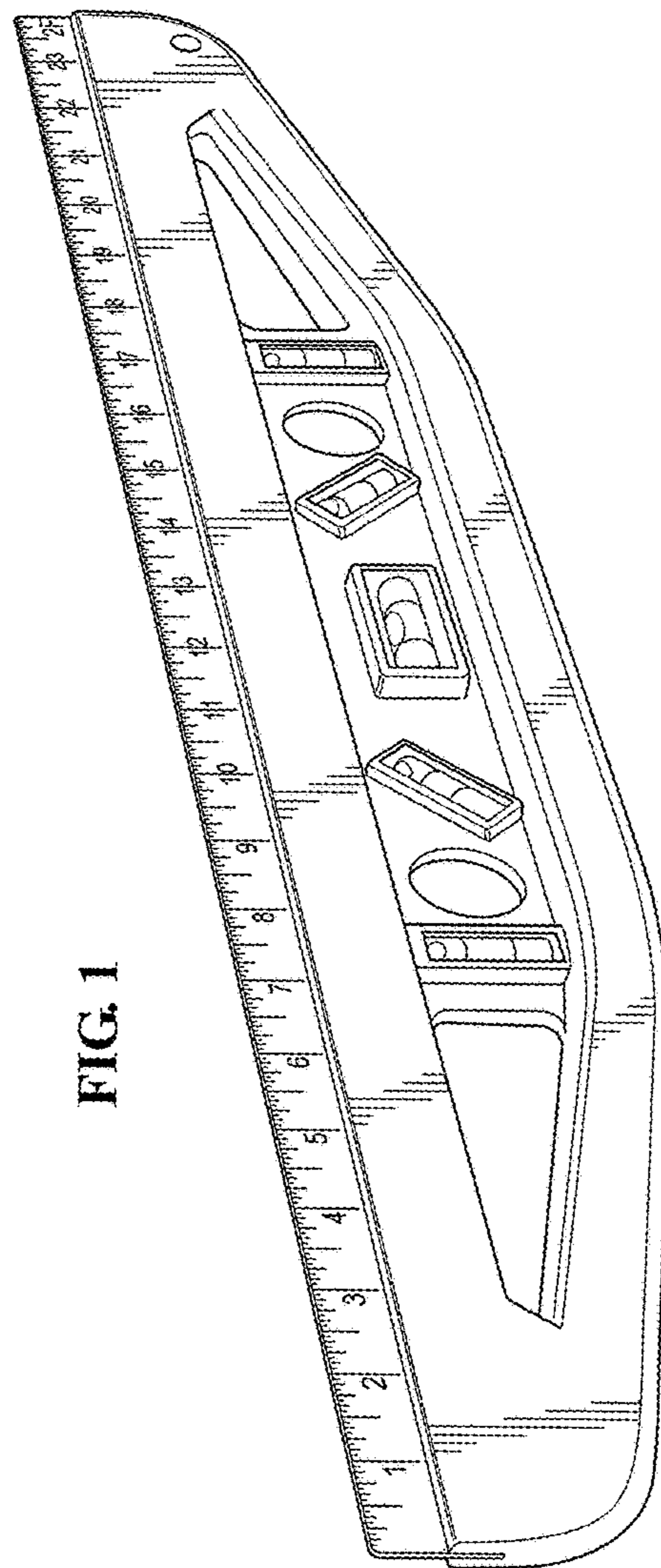


FIG. 1

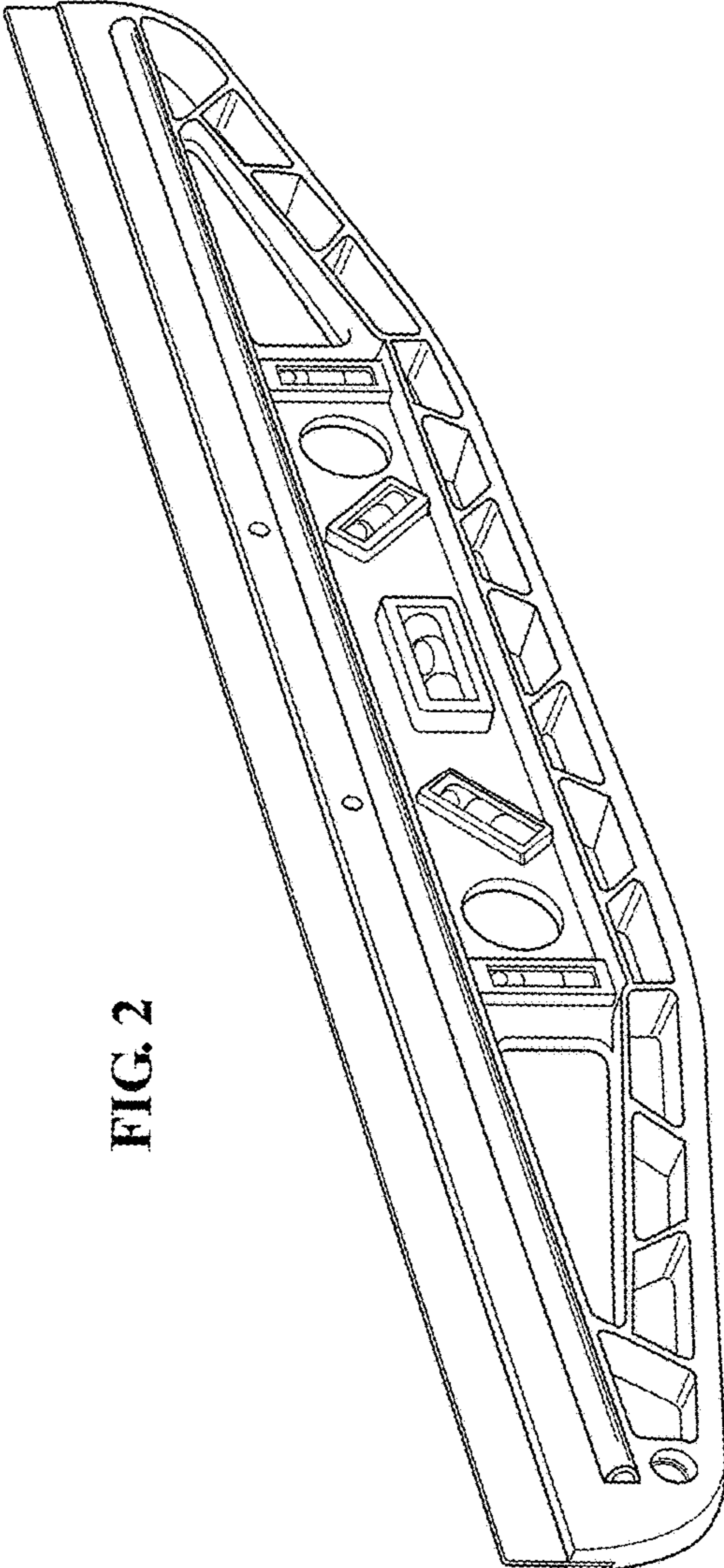


FIG. 2

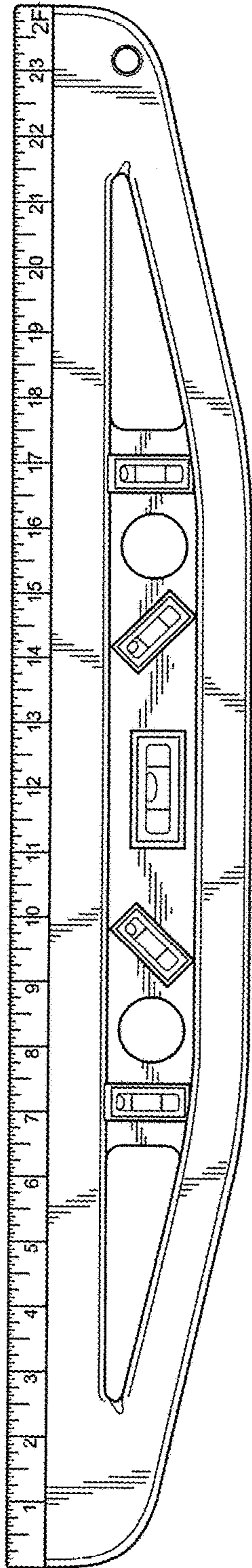


FIG. 3

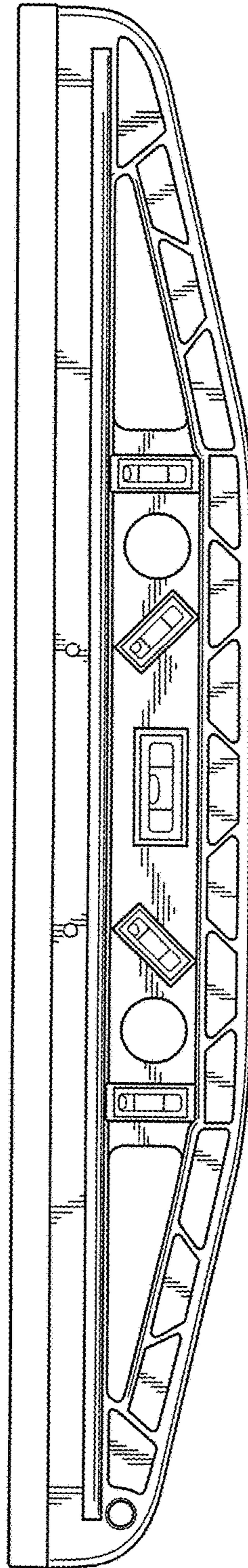


FIG. 4



FIG. 5

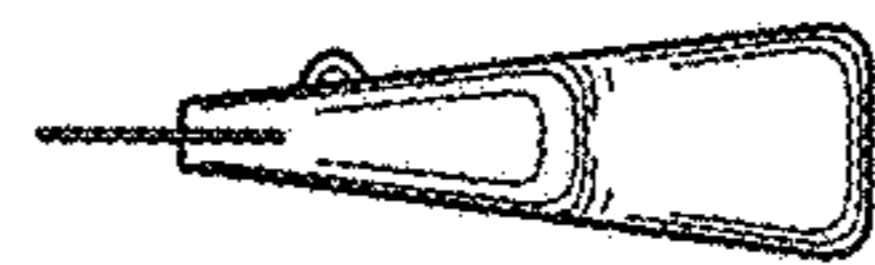


FIG. 6

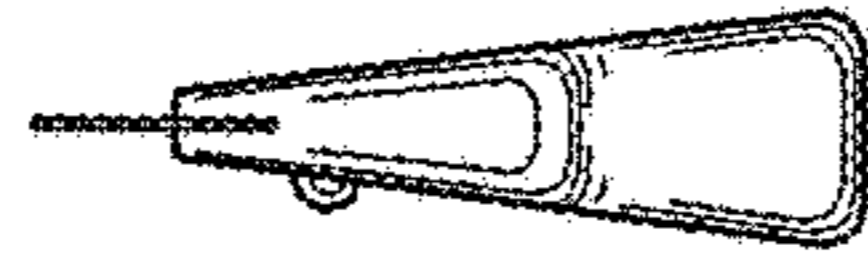


FIG. 7



FIG. 8