



US00D792247S

(12) **United States Design Patent**
Davoli

(10) **Patent No.:** **US D792,247 S**

(45) **Date of Patent:** **** Jul. 18, 2017**

(54) **WATCH**

(71) Applicant: **Richemont International SA,**
Villars-sur-Glane (CH)

(72) Inventor: **Laurent Davoli,** Beaumont (FR)

(73) Assignee: **Richemont International SA,**
Villars-sur-Glane (CH)

(**) Term: **15 Years**

(21) Appl. No.: **29/548,926**

(22) Filed: **Dec. 17, 2015**

(51) **LOC (10) Cl.** **10-02**

(52) **U.S. Cl.**
USPC **D10/39; D10/30**

(58) **Field of Classification Search**
USPC D10/38, 1-29, 122-132, 32, 39, 30
CPC G04B 19/00; G04B 19/24; G04B 37/00;
G04B 37/0008; G04B 37/0058; G04B
37/08; G04B 37/081; G04B 19/14; G04B
19/18; G04B 37/1486; G04B 47/00;
G04B 47/04; G04B 45/0069; A44C 5/00;
A44C 5/02

See application file for complete search history.

(56) **References Cited**

U.S. PATENT DOCUMENTS

- 4,241,442 A * 12/1980 Grohoski G04B 19/14
368/276
- D302,126 S * 7/1989 Sugano D10/22
- D463,748 S * 10/2002 Lepeu D10/30
- D630,119 S * 1/2011 Nishi D10/126
- D688,580 S * 8/2013 Delhotal D10/124
- D707,580 S * 6/2014 Cerrato D10/126
- D709,389 S * 7/2014 Monachon D10/39

- D724,047 S * 3/2015 Kim D10/38
- D733,582 S * 7/2015 Gueit D10/38
- D735,586 S * 8/2015 Stegmann D10/30
- D746,712 S * 1/2016 Cerrato D10/124
- D746,713 S * 1/2016 Cerrato D10/126
- D748,501 S * 2/2016 Cerrato D10/30
- D760,105 S * 6/2016 Monachon D10/124
- D762,492 S * 8/2016 Sugiura D10/126
- D764,318 S * 8/2016 Kauffmann D10/30
- D765,532 S * 9/2016 Nichol D10/128
- D768,017 S * 10/2016 Calvani D10/126

FOREIGN PATENT DOCUMENTS

WO WO 2016016831 A1 * 2/2016 G04B 19/14

* cited by examiner

Primary Examiner — Sheryl Lane

Assistant Examiner — Samantha Wood

(74) *Attorney, Agent, or Firm* — Taft Stettinius &
Hollister LLP

(57) **CLAIM**

The ornamental design for a watch, as shown and described.

DESCRIPTION

FIG. 1 is a front side view of watch of the present invention.
 FIG. 2 is a back side view of the watch of FIG. 1.
 FIG. 3 is a bottom side view of the watch of FIG. 1.
 FIG. 4 is a top side view of the watch of FIG. 1.
 FIG. 5 is a right side view of the watch of FIG. 1.
 FIG. 6 is a left side view of the watch of FIG. 1.
 FIG. 7 is a front, right side perspective view of the watch of
 FIG. 1; and,
 FIG. 8 is a back, right side perspective view of the watch of
 FIG. 1.

1 Claim, 8 Drawing Sheets

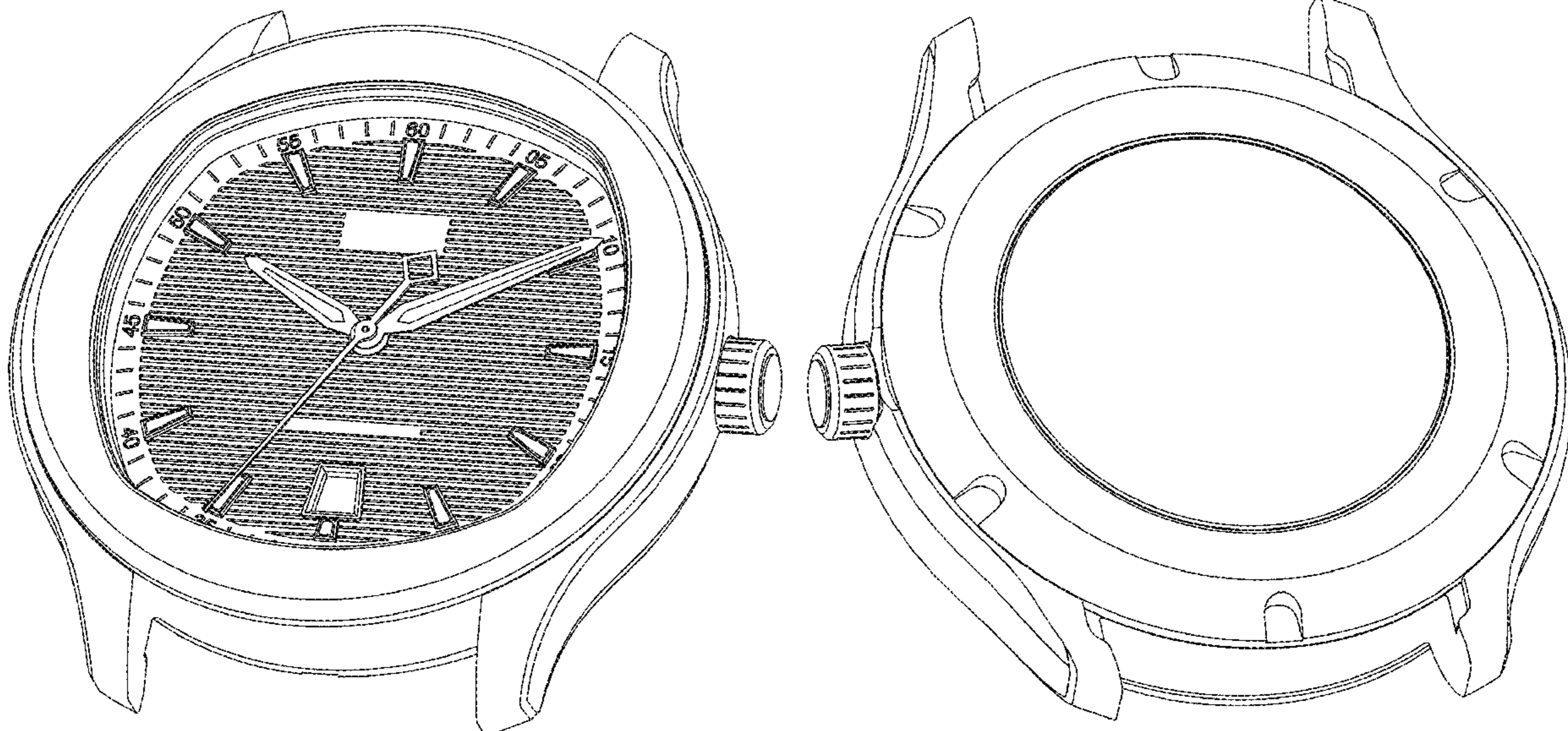




Fig. 1

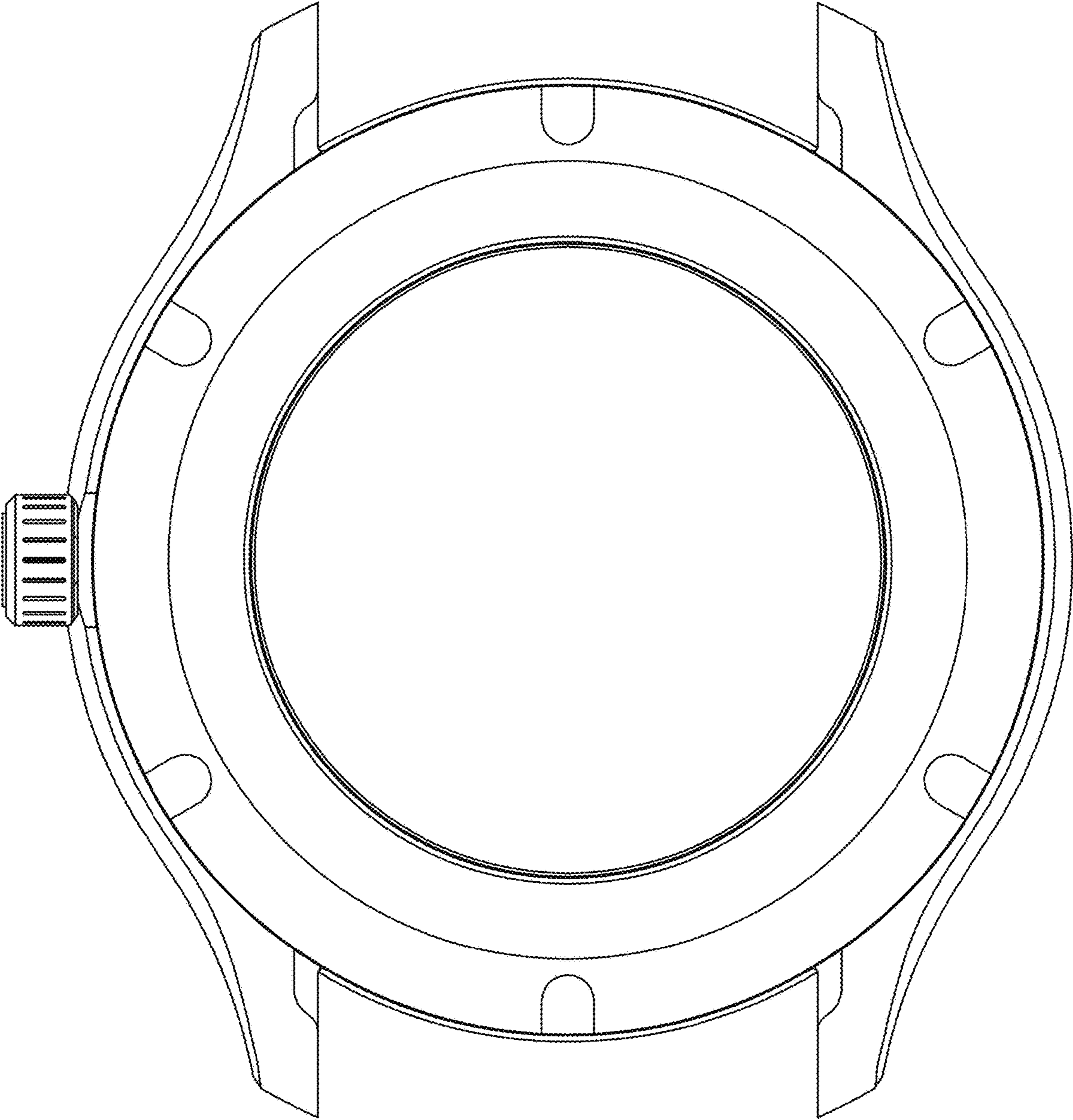


Fig. 2

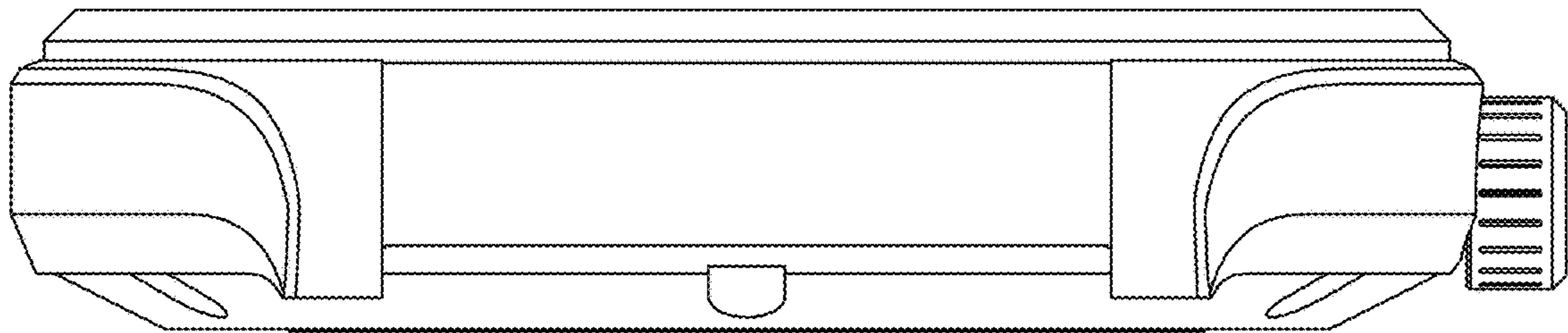


Fig. 3

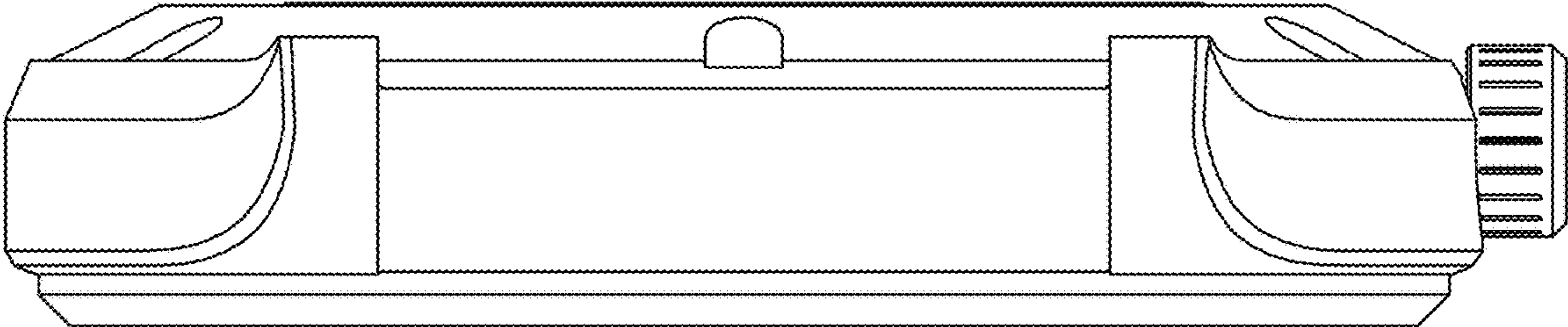


Fig. 4

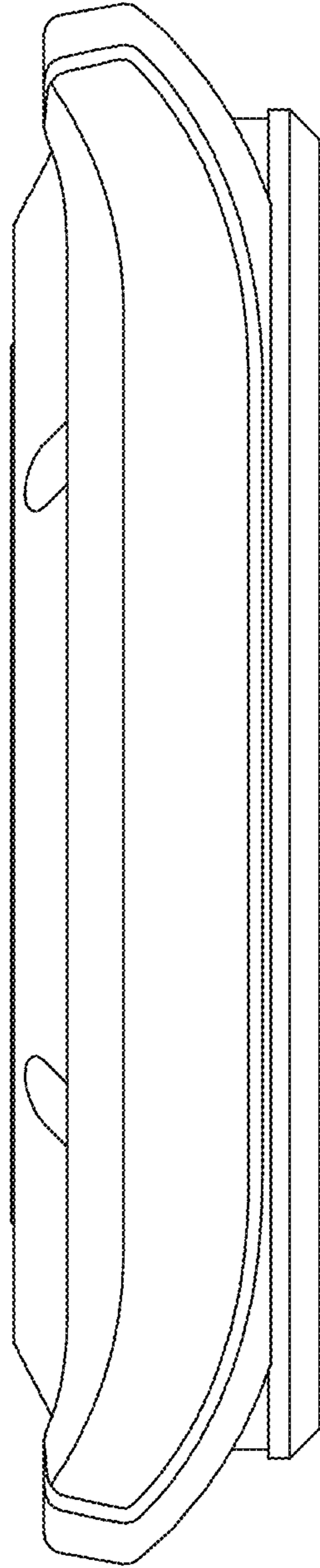


Fig. 5

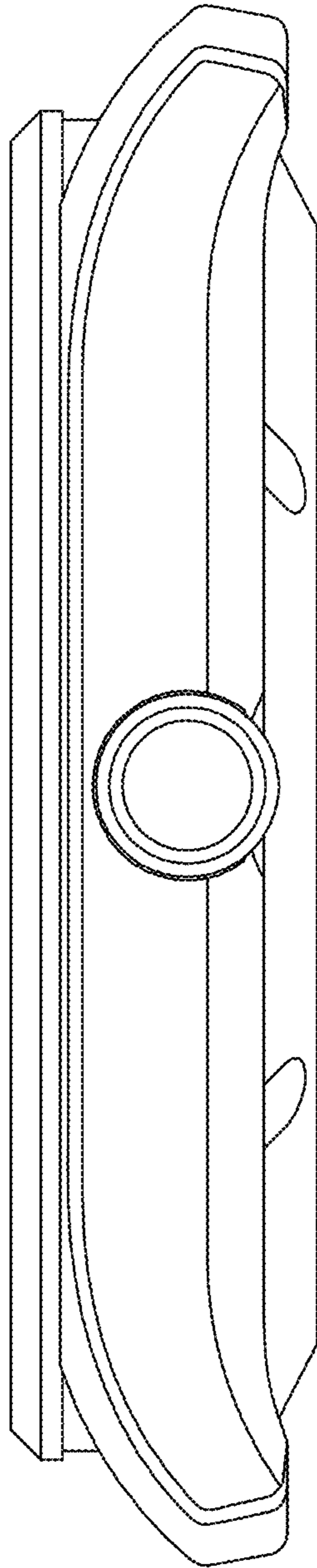


Fig. 6

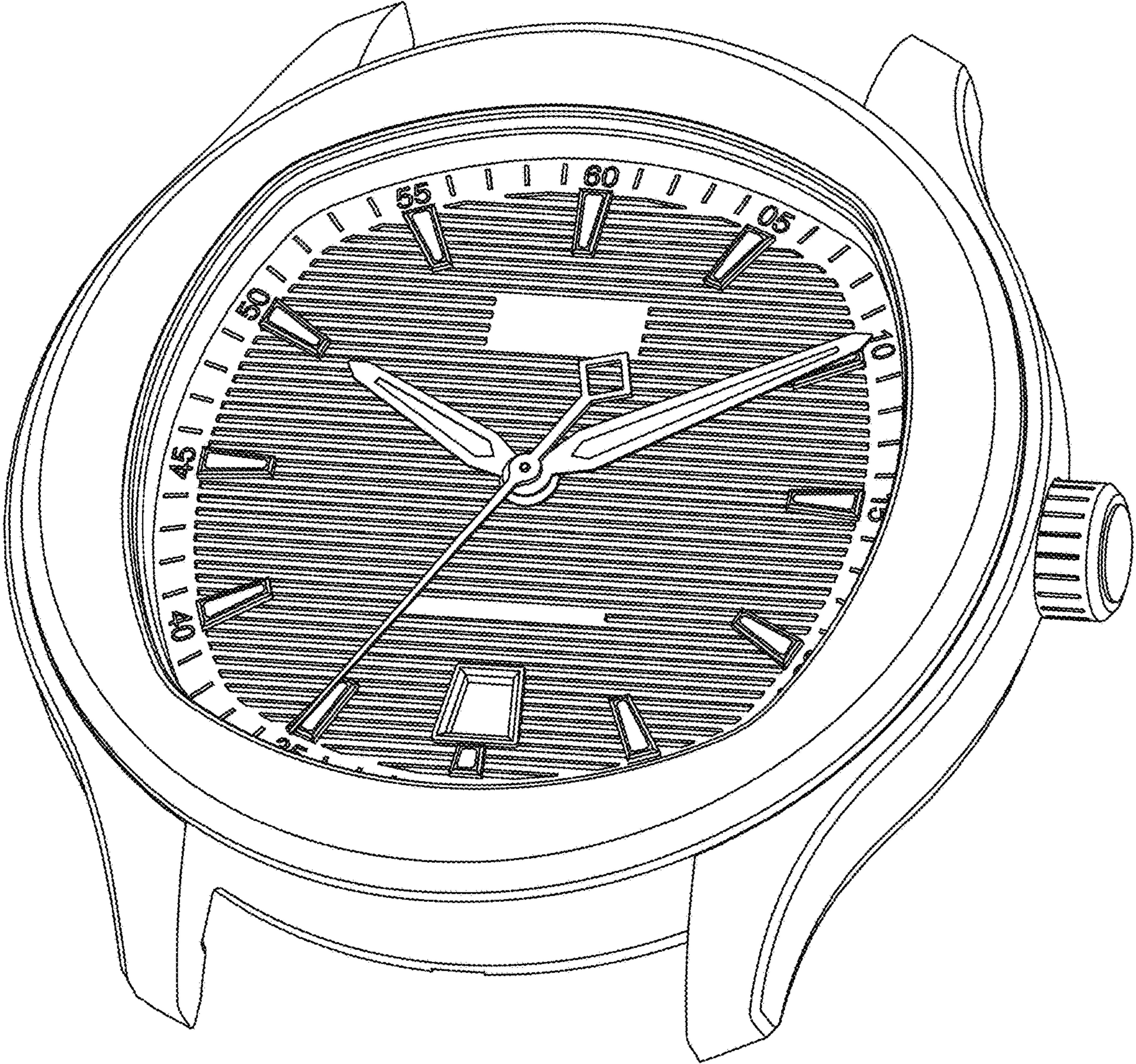


Fig. 7

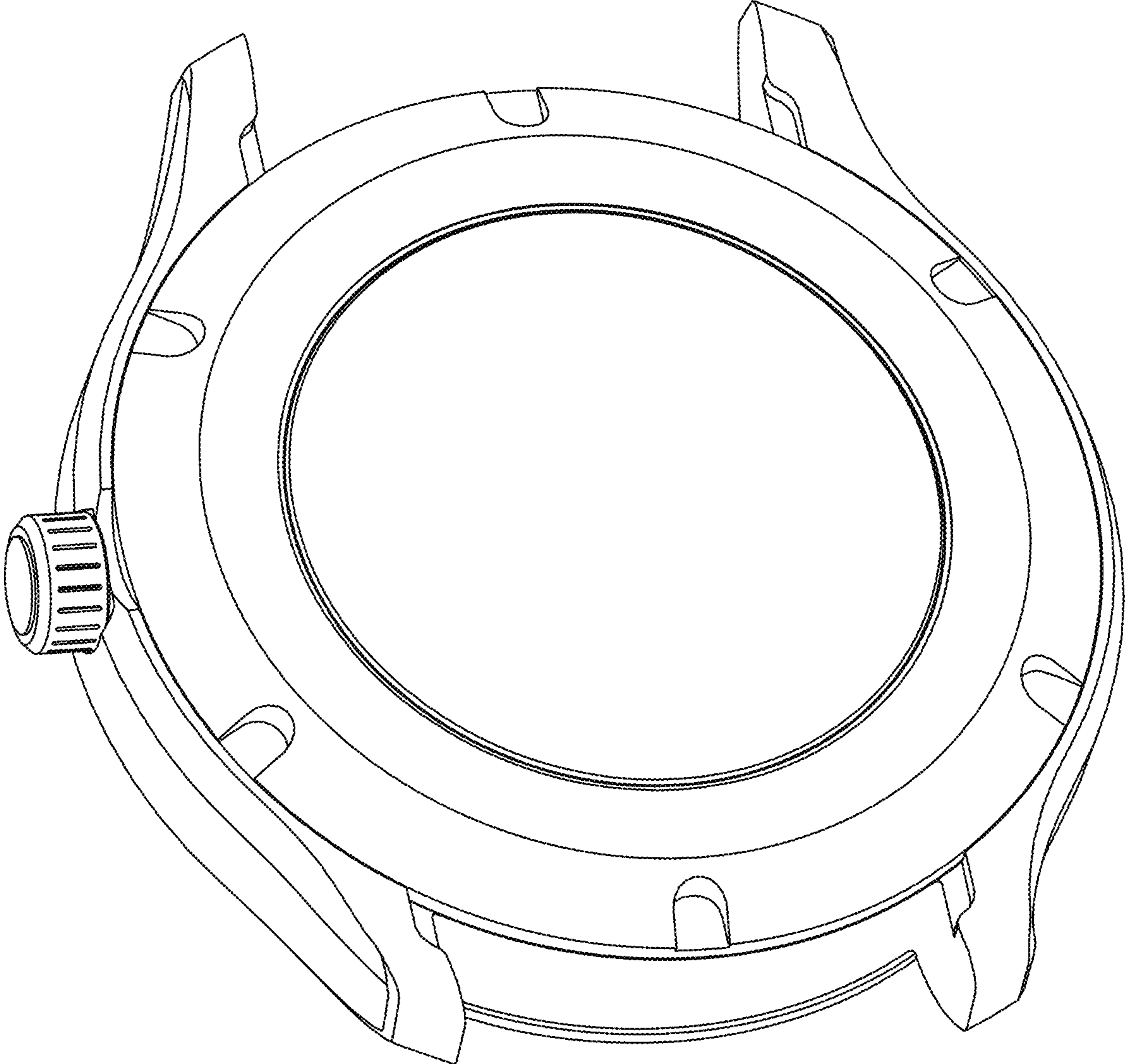


Fig. 8