



US00D792246S

(12) **United States Design Patent**
Ruffieux

(10) **Patent No.:** **US D792,246 S**

(45) **Date of Patent:** **** Jul. 18, 2017**

(54) **WATCH**

(71) Applicant: **Montblanc-Simplo GmbH**, Hamburg
(DE)

(72) Inventor: **Leila Ruffieux**, Neuchatel (CH)

(73) Assignee: **Montblanc-Simplo GmbH**, Hamburg
(DE)

(**) Term: **15 Years**

(21) Appl. No.: **29/547,126**

(22) Filed: **Dec. 1, 2015**

(51) **LOC (10) Cl.** **10-02**

(52) **U.S. Cl.**
USPC **D10/39; D10/30**

(58) **Field of Classification Search**
USPC D10/1-29, 30-39, 122-132
CPC G04B 37/18; G04B 37/081; G04B 37/082;
G04B 37/0008; G04B 37/0058; G04B
19/06; G04B 19/10; G04B 19/12; G04B
19/30; G04B 19/24; G04B 19/26; G04B
19/268

See application file for complete search history.

(56) **References Cited**

U.S. PATENT DOCUMENTS

D528,452 S	*	9/2006	Coudray	D10/126
D559,131 S	*	1/2008	Laucella	D10/39
D597,880 S	*	8/2009	Behling	D10/126
D684,486 S	*	6/2013	Messmer	D10/39
D685,281 S	*	7/2013	Hamel	D10/126
D687,329 S	*	8/2013	Hamel	D10/126
D724,961 S	*	3/2015	Vaptzarof	D10/124

D726,557 S	*	4/2015	Lasserre	D10/39
D727,753 S	*	4/2015	Laucella	D10/39
D734,177 S	*	7/2015	Kamilindi	D10/126
D734,677 S	*	7/2015	Ruffieux	D10/38
D736,656 S	*	8/2015	Ruffieux	D10/126
D740,696 S	*	10/2015	Monachon	D10/126
D744,887 S	*	12/2015	Behling	D10/126
D751,930 S	*	3/2016	Miodrag	D10/126
D755,659 S	*	5/2016	Ruffieux	D10/126
D756,258 S	*	5/2016	Ruffieux	D10/126
D762,492 S	*	8/2016	Sugiura	D10/126
D766,743 S	*	9/2016	Laucella	D10/30

FOREIGN PATENT DOCUMENTS

CH 709408 A2 * 9/2015 G04B 19/18

* cited by examiner

Primary Examiner — Sheryl Lane

Assistant Examiner — Samantha Wood

(74) *Attorney, Agent, or Firm* — Taft Stettinius & Hollister LLP

(57) **CLAIM**

The ornamental design for a watch, as shown and described.

DESCRIPTION

FIG. 1 is a front elevational view of a watch showing my new design.

FIG. 2 is a back elevational view thereof.

FIG. 3 is a top plan view thereof.

FIG. 4 is a bottom plan view thereof.

FIG. 5 is a left side elevational view thereof.

FIG. 6 is a right side elevational view thereof; and,

FIG. 7 is a front, right perspective view thereof.

1 Claim, 7 Drawing Sheets

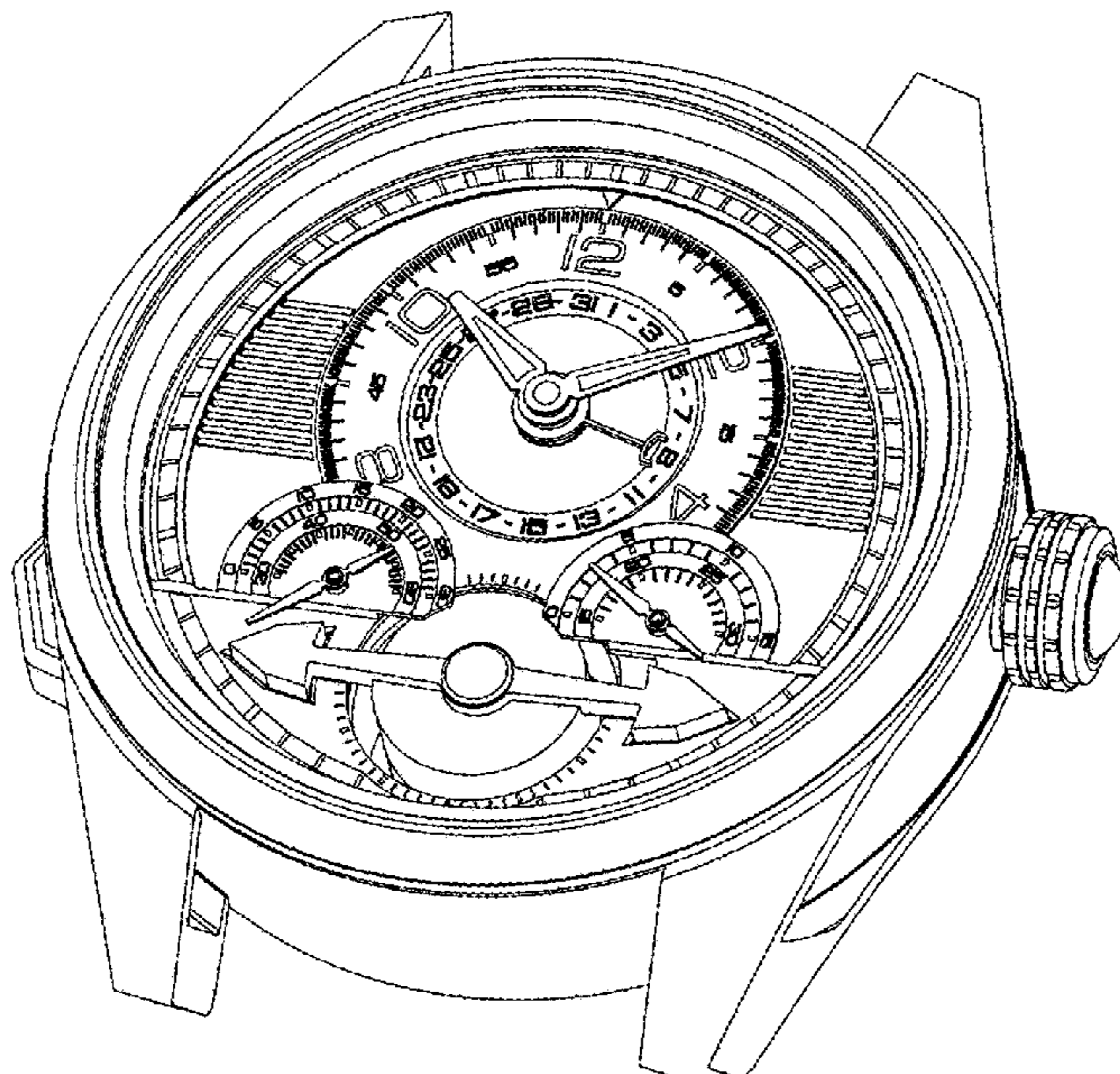




Fig. 1

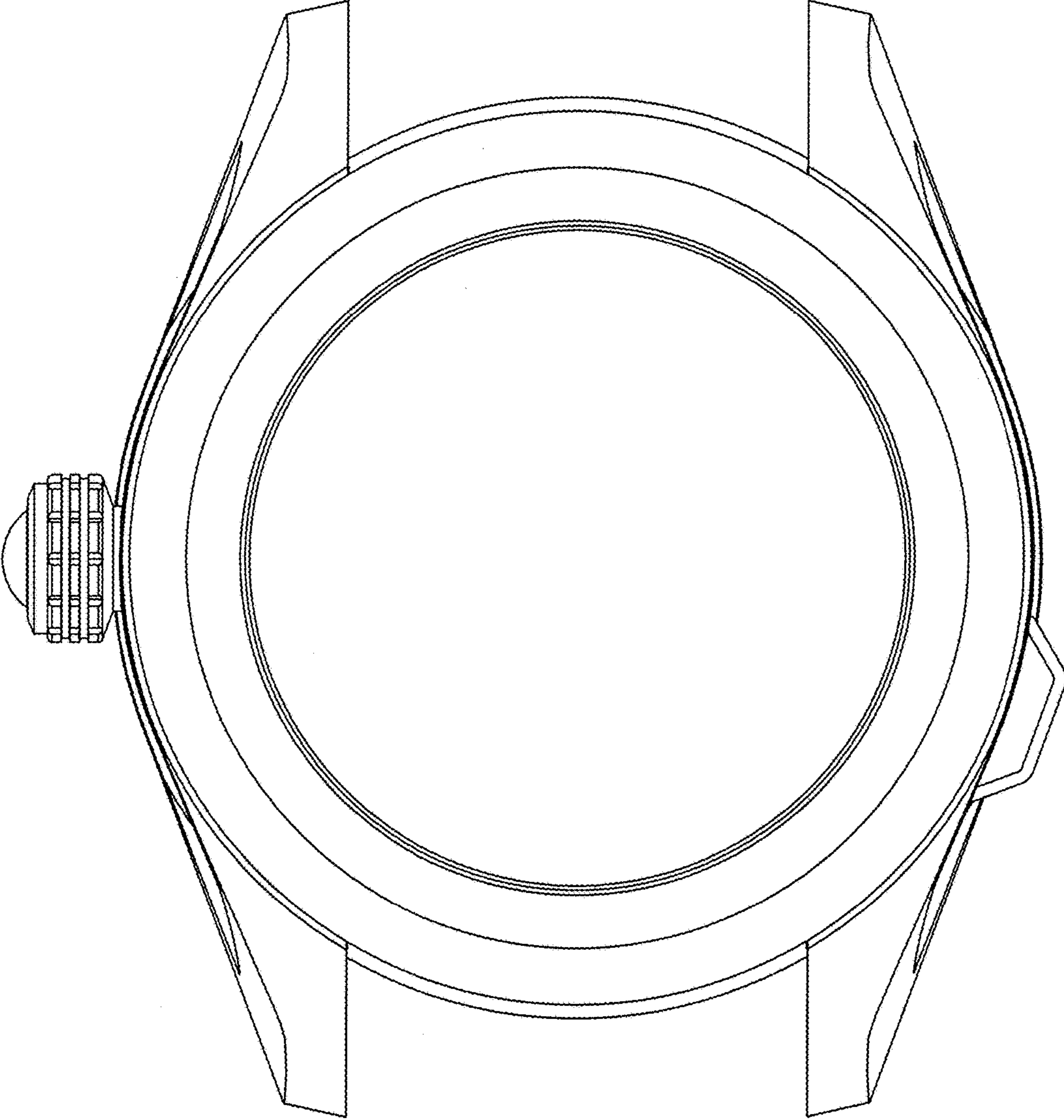


Fig. 2

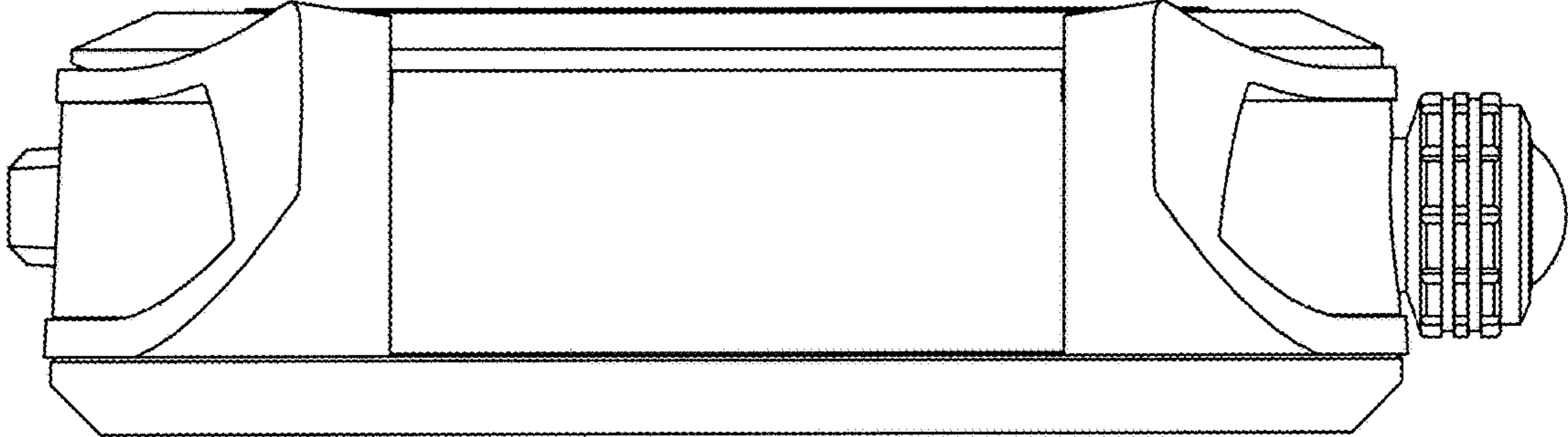


Fig. 3

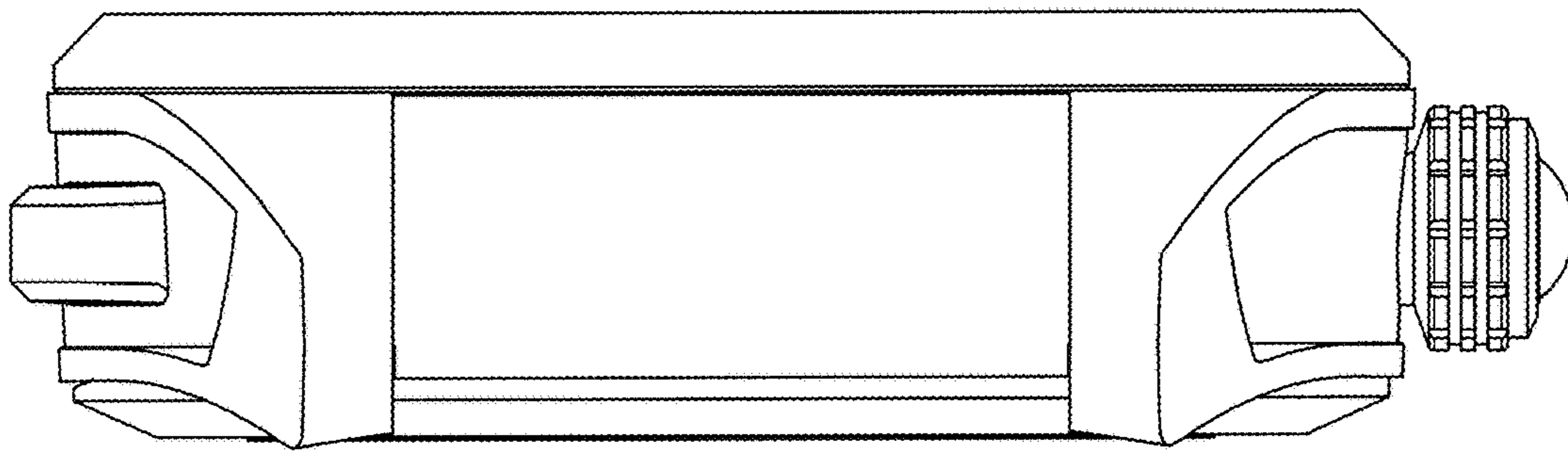


Fig. 4

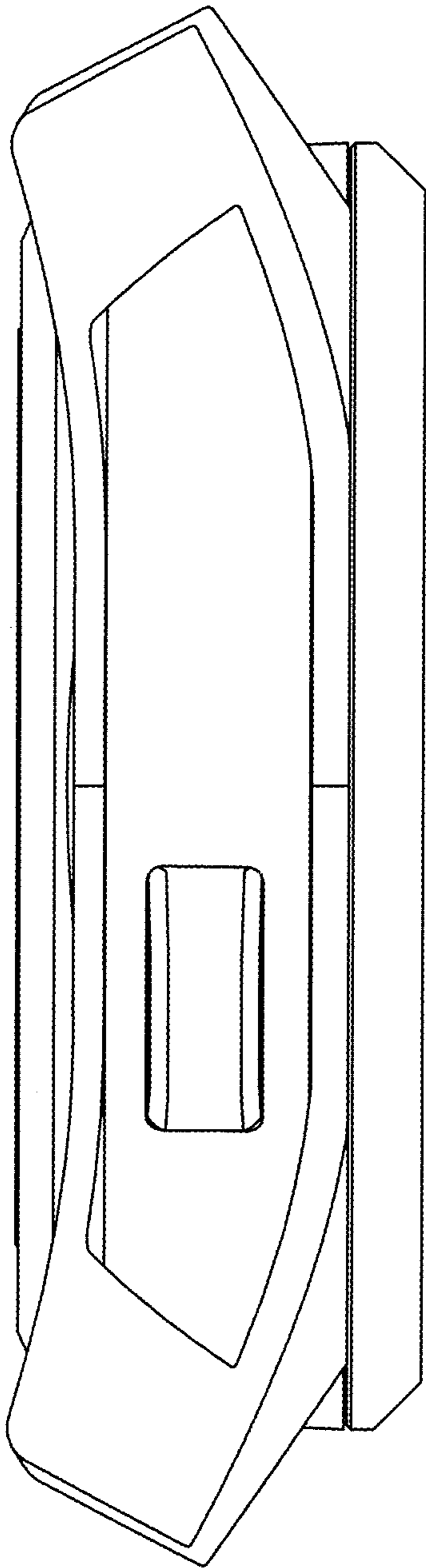


Fig. 5

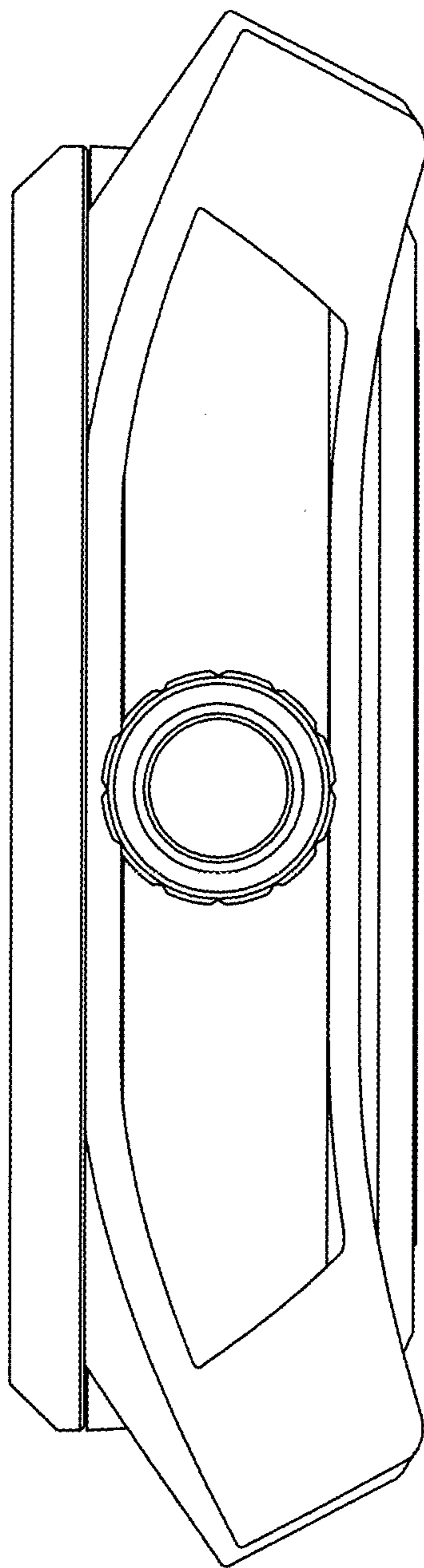


Fig. 6



Fig. 7