



US00D792245S

(12) **United States Design Patent**
Ruffieux

(10) **Patent No.:** **US D792,245 S**
(45) **Date of Patent:** **** Jul. 18, 2017**

- (54) **WATCH**
- (71) Applicant: **Montblanc-Simplo GmbH**, Hamburg (DE)
- (72) Inventor: **Leila Ruffieux**, Neuchatel (CH)
- (73) Assignee: **Montblanc-Simplo GmbH**, Hamburg (DE)
- (**) Term: **15 Years**
- (21) Appl. No.: **29/547,125**
- (22) Filed: **Dec. 1, 2015**
- (51) **LOC (10) Cl.** **10-02**
- (52) **U.S. Cl.**
USPC **D10/39; D10/30**
- (58) **Field of Classification Search**
USPC D10/1–29, 30–39, 122–132
CPC G04B 37/0058; G04B 37/0008; G04B 37/081; G04B 37/18; G04B 37/082; G04B 19/24; G04B 19/065; G04B 19/06; G04B 19/12; G04B 19/10; G04B 19/30; G04B 19/268; G04B 19/26; G04G 17/08; G04G 17/083
See application file for complete search history.

- D727,753 S * 4/2015 Laucella D10/39
- D734,177 S * 7/2015 Kamilindi D10/126
- D735,056 S * 7/2015 Hamel D10/126
- 9,075,397 B2 * 7/2015 Girardbille G04F 7/088
- D744,887 S * 12/2015 Behling D10/126
- D750,505 S * 3/2016 Cerrato D10/30
- D751,929 S * 3/2016 Ette D10/126
- D751,930 S * 3/2016 Miodrag D10/126
- D755,646 S * 5/2016 Mille D10/125
- D756,260 S * 5/2016 Nguyen-Tang D10/126
- D758,889 S * 6/2016 Cerrato D10/30
- D759,510 S * 6/2016 Belamich D10/126
- D759,512 S * 6/2016 Belamich D10/126
- D762,127 S * 7/2016 Jeannet D10/126
- D762,492 S * 8/2016 Sugiura D10/126
- D766,743 S * 9/2016 Laucella D10/30
- D766,744 S * 9/2016 Laucella D10/30

(Continued)

FOREIGN PATENT DOCUMENTS

- CH EP 1321832 A1 * 6/2003 G04B 19/268
- JP WO 9918479 A1 * 4/1999 G04B 19/06

Primary Examiner — Sheryl Lane
Assistant Examiner — Samantha Wood
 (74) *Attorney, Agent, or Firm* — Taft Stettinius & Hollister LLP

(57) **CLAIM**

The ornamental design for a watch, as shown and described.

DESCRIPTION

FIG. 1 is a front elevational view of a watch showing my new design.
 FIG. 2 is a back elevational view thereof.
 FIG. 3 is a top plan view thereof.
 FIG. 4 is a bottom plan view thereof.
 FIG. 5 is a left side elevational view thereof.
 FIG. 6 is a right side elevational view thereof; and,
 FIG. 7 is a front, right perspective view thereof.

1 Claim, 7 Drawing Sheets

(56) **References Cited**

U.S. PATENT DOCUMENTS

- D131,628 S * 3/1942 Heinmuller D10/1
- D356,042 S * 3/1995 Nakanishi D10/30
- D448,682 S * 10/2001 Sato D10/39
- D528,452 S * 9/2006 Coudray D10/126
- D530,226 S * 10/2006 Senggen D10/32
- D607,758 S * 1/2010 Hegi D10/39
- D679,201 S * 4/2013 Jacquerye D10/39
- D681,481 S * 5/2013 Hegi D10/38
- D707,572 S * 6/2014 Calvani D10/39
- D724,961 S * 3/2015 Vaptzarof D10/124
- D727,176 S * 4/2015 Laucella D10/39



(56)

References Cited

U.S. PATENT DOCUMENTS

D767,417 S * 9/2016 Laucella D10/39
D768,019 S * 10/2016 Lasserre D10/126
D768,022 S * 10/2016 Monachon D10/126
D768,512 S * 10/2016 Ruffieux D10/32
2009/0207699 A1 * 8/2009 Buttet G04B 19/23
368/21

* cited by examiner



Fig. 1

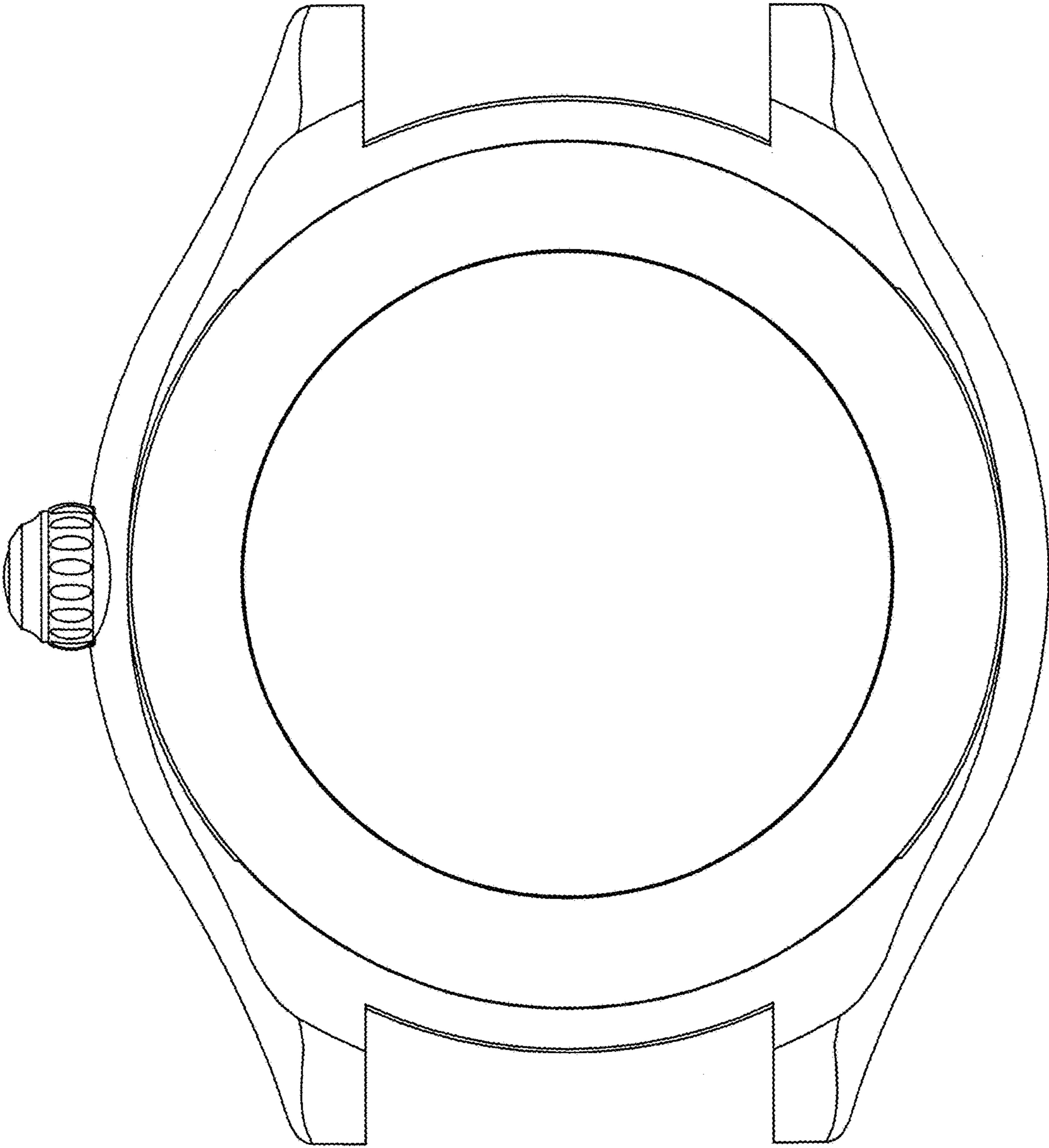


Fig. 2

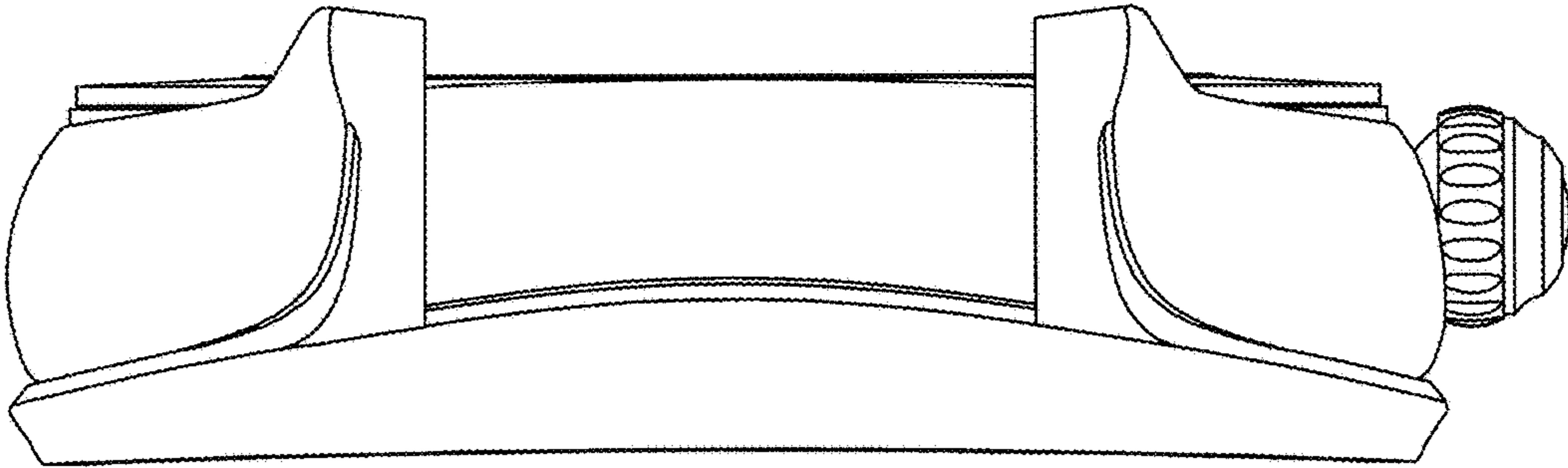


Fig. 3

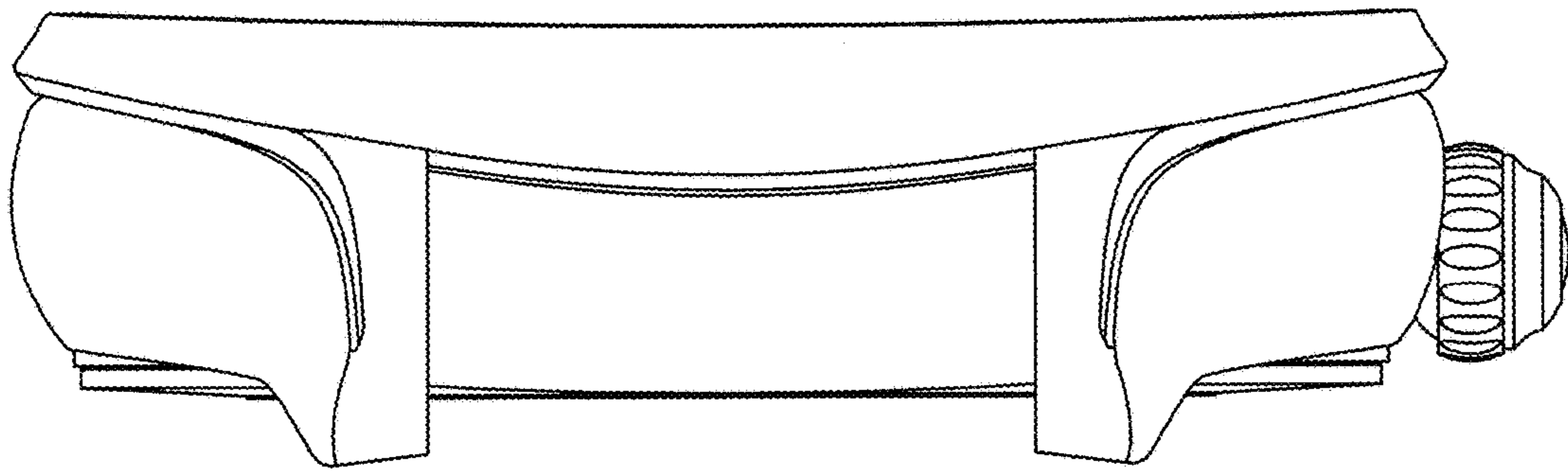


Fig. 4

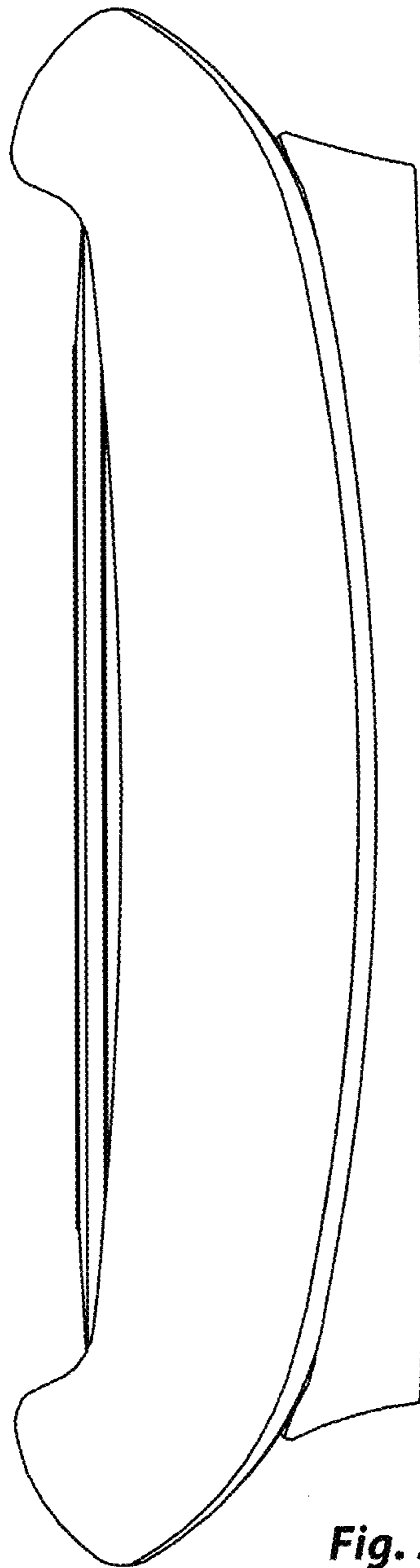


Fig. 5

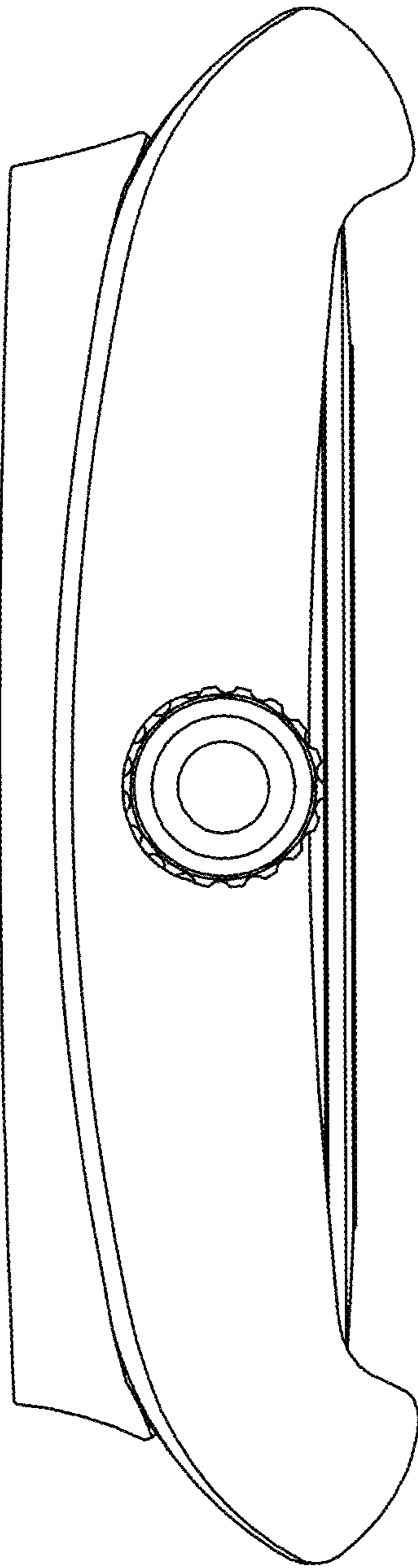


Fig. 6



Fig. 7