



US00D792242S

(12) **United States Design Patent**
Laucella

(10) **Patent No.:** **US D792,242 S**
(45) **Date of Patent:** **** Jul. 18, 2017**

(54) **WATCH**

(71) Applicant: **MONTRES BREGUET S.A.,**
L'Abbaye (CH)

(72) Inventor: **Vincent Laucella, Le Brassus (CH)**

(73) Assignee: **MONTRES BREGUET S.A.,**
L'Abbaye (CH)

(**) Term: **15 Years**

(21) Appl. No.: **29/572,874**

(22) Filed: **Aug. 1, 2016**

(30) **Foreign Application Priority Data**

Feb. 1, 2016 (WO) DM/089 203

(51) **LOC (10) Cl.** **10-02**

(52) **U.S. Cl.**
USPC **D10/30**

(58) **Field of Classification Search**

USPC D10/1-39, 122-132
CPC G04B 17/00; G04B 17/02; G04B 17/005;
G04B 17/285; G04B 37/00; G04B 37/00;
G04B 37/0058; G04B 45/00; G04B
45/02; G04B 45/038; G04B 45/0069;
G04B 45/0076; G04B 29/00

See application file for complete search history.

(56) **References Cited**

U.S. PATENT DOCUMENTS

D371,079 S * 6/1996 Mijatovic D10/39
D568,180 S * 5/2008 Laucella D10/39

D576,891 S * 9/2008 Tripet D10/33
D593,880 S * 6/2009 Laucella D10/39
D701,134 S * 3/2014 Cerrato D10/126
D703,554 S * 4/2014 Emmenegger D10/32
D718,151 S * 11/2014 Gueit D10/32
D727,754 S * 4/2015 Laucella D10/39
D732,985 S * 6/2015 Cerrato D10/39
D766,743 S * 9/2016 Laucella D10/30
D781,721 S * 3/2017 Abdourahim D10/38

* cited by examiner

Primary Examiner — Sheryl Lane

Assistant Examiner — Calvin E Vansant

(74) *Attorney, Agent, or Firm* — Donald J. Ranft; Collen IP

(57) **CLAIM**

The ornamental design for a watch, as shown.

DESCRIPTION

FIG. 1 is a front right perspective view of a watch showing my new design;

FIG. 2 is a rear left perspective view thereof;

FIG. 3 is a front view thereof;

FIG. 4 is a rear view thereof;

FIG. 5 is a left side view thereof;

FIG. 6 is a right side view thereof;

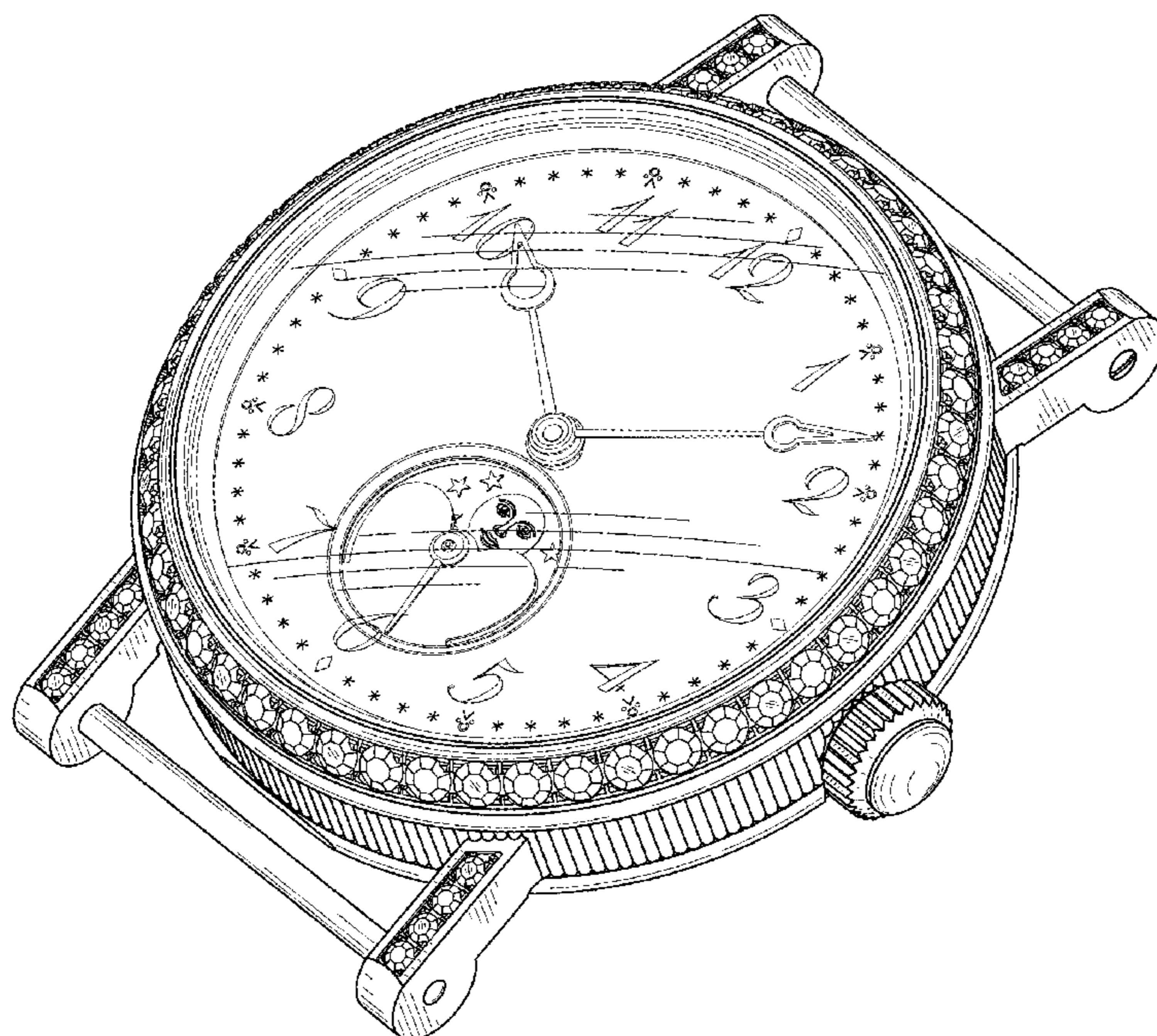
FIG. 7 is a top view thereof;

FIG. 8 is a bottom view thereof;

FIG. 9 is a front left perspective view thereof; and,

FIG. 10 is a rear right perspective view thereof.

1 Claim, 8 Drawing Sheets



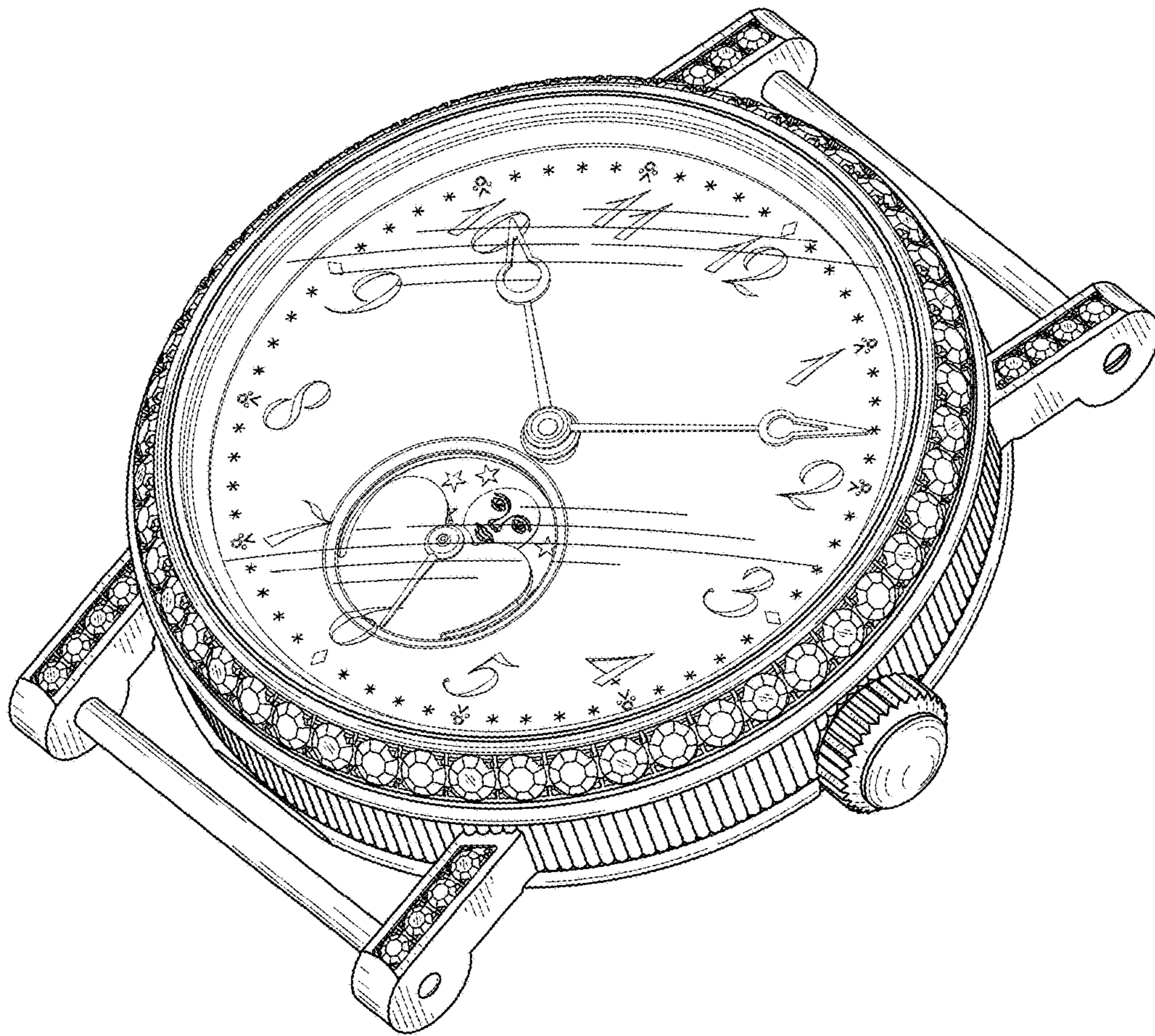


FIG. 1

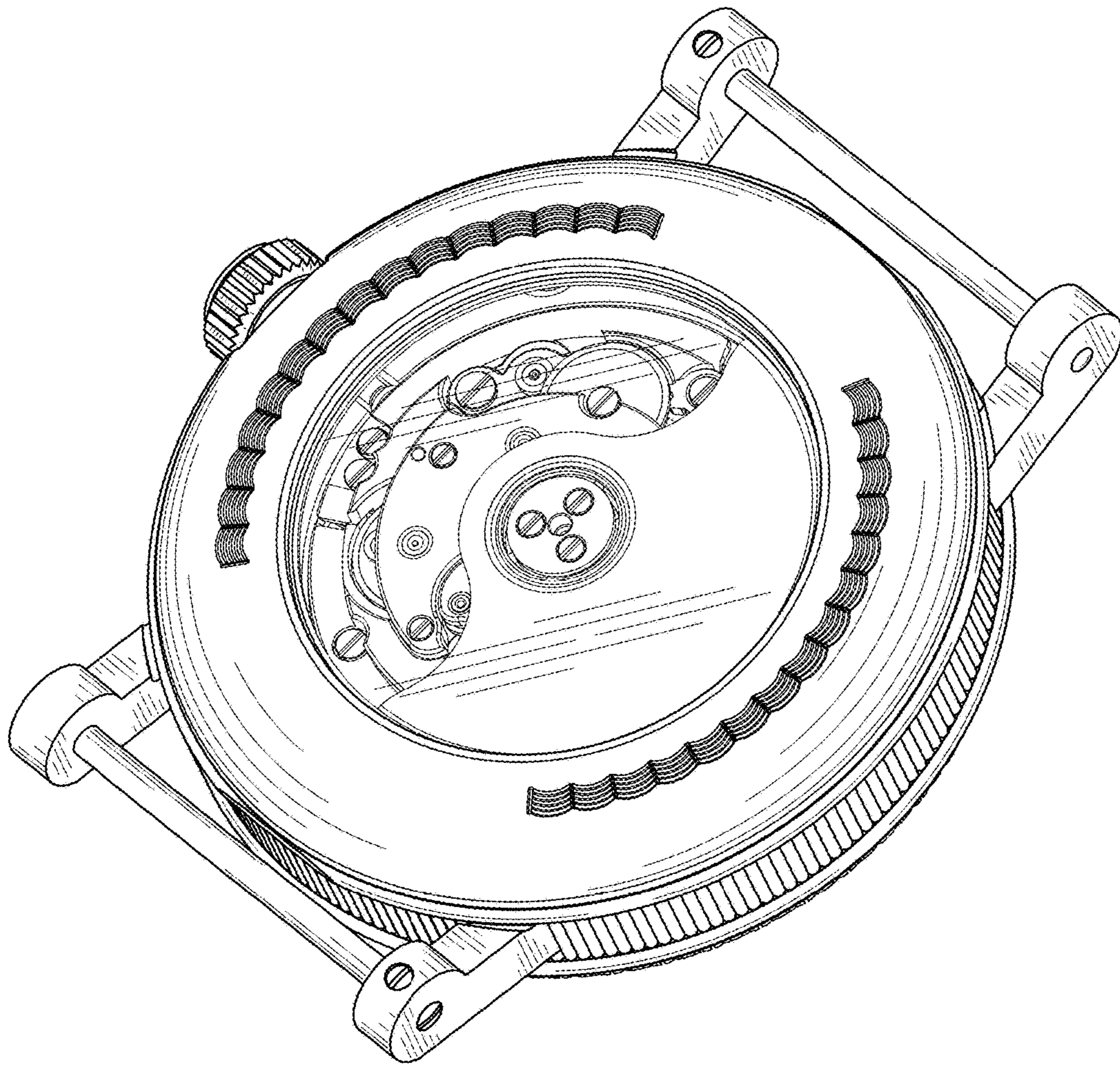


FIG. 2

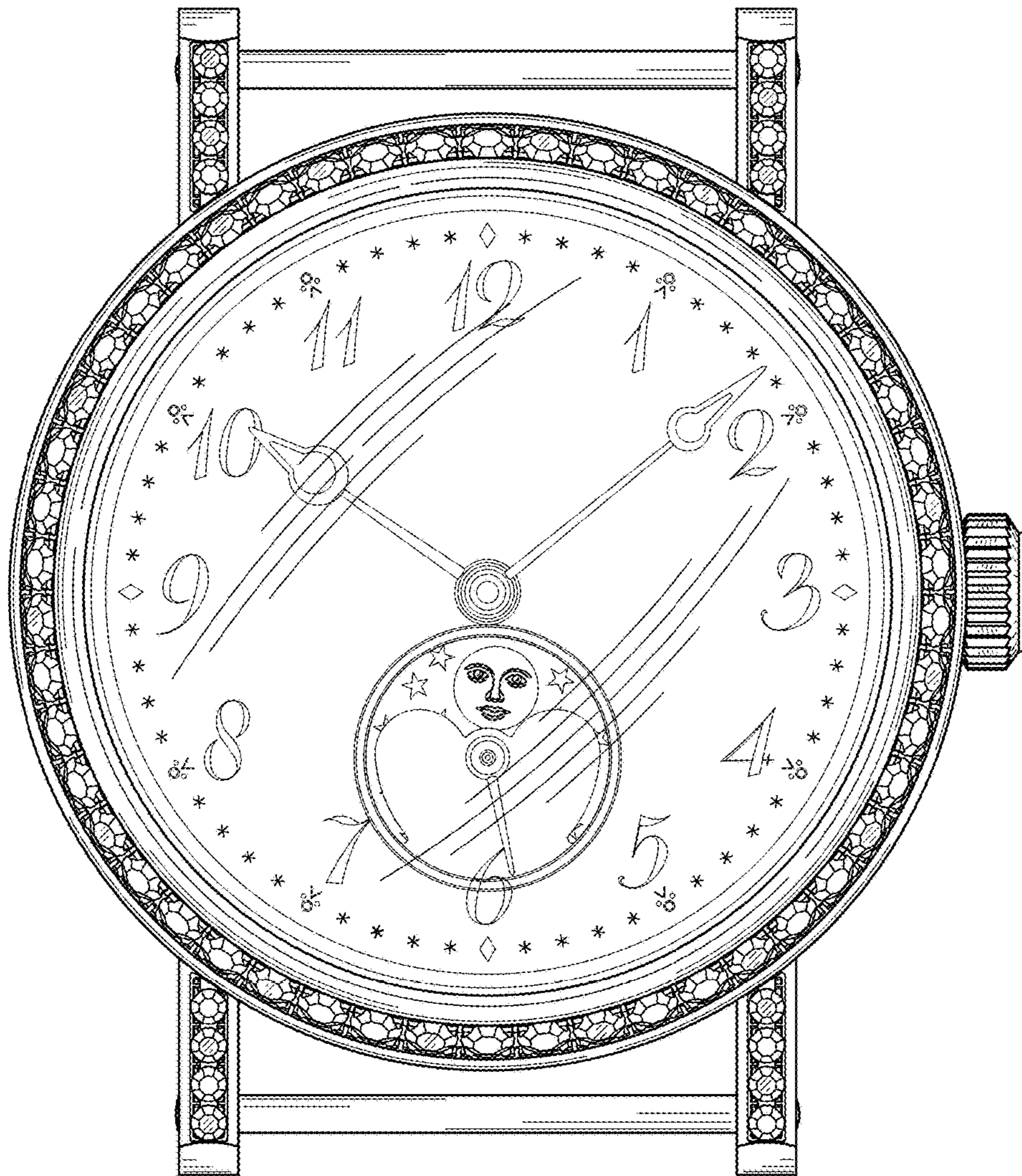


FIG. 3

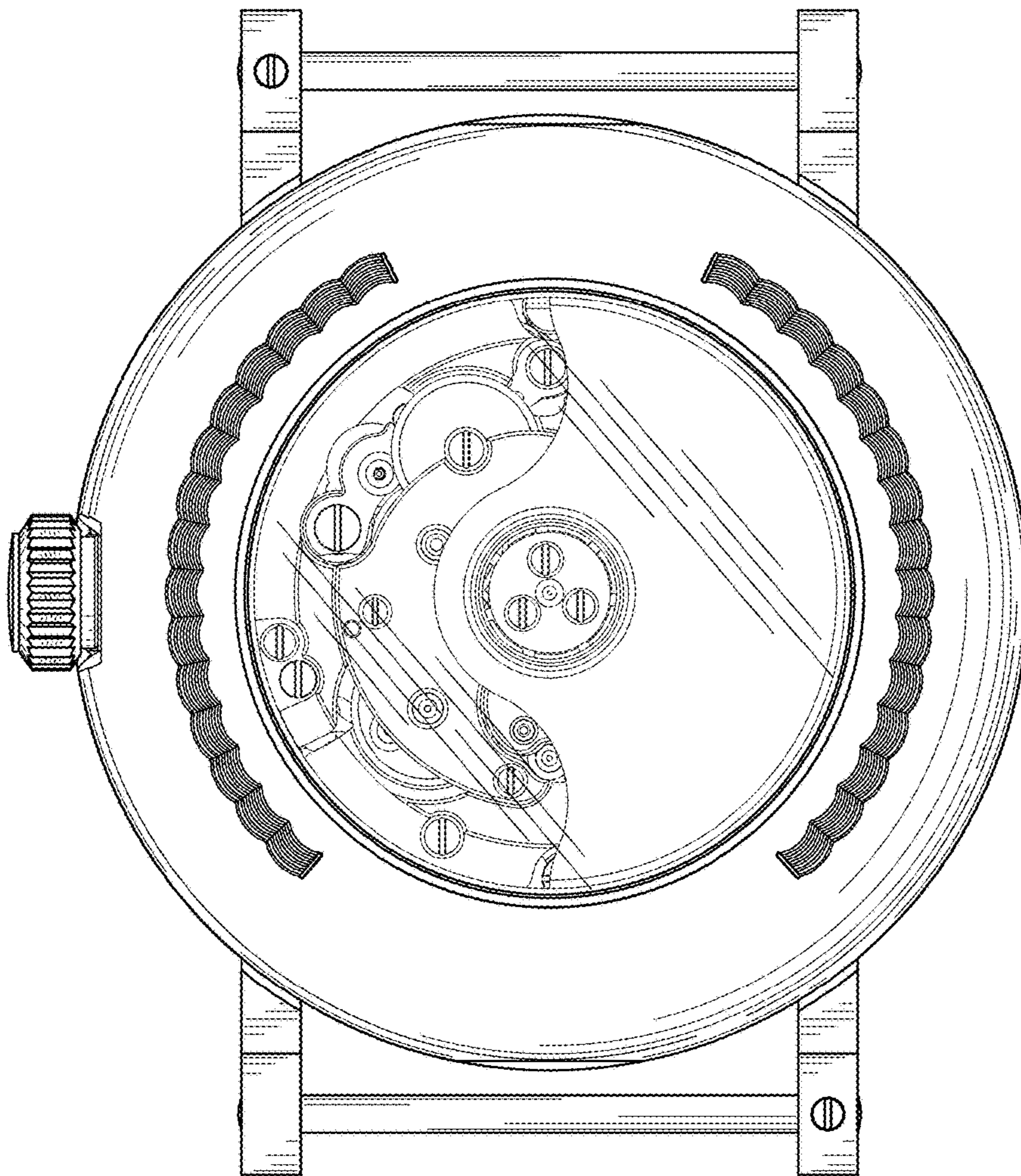


FIG. 4

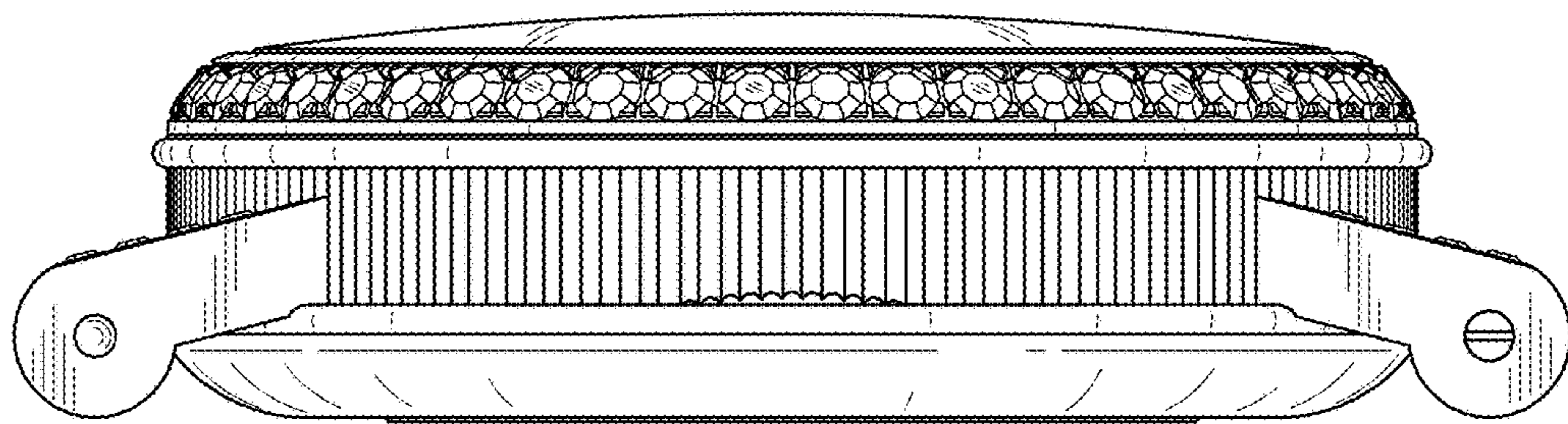


FIG. 5

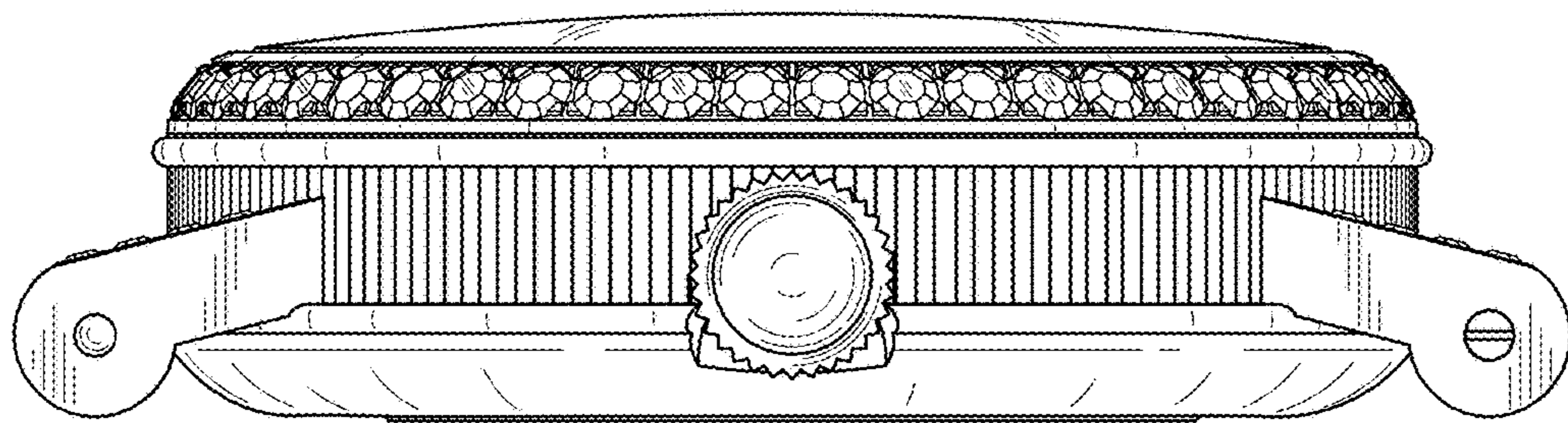


FIG. 6

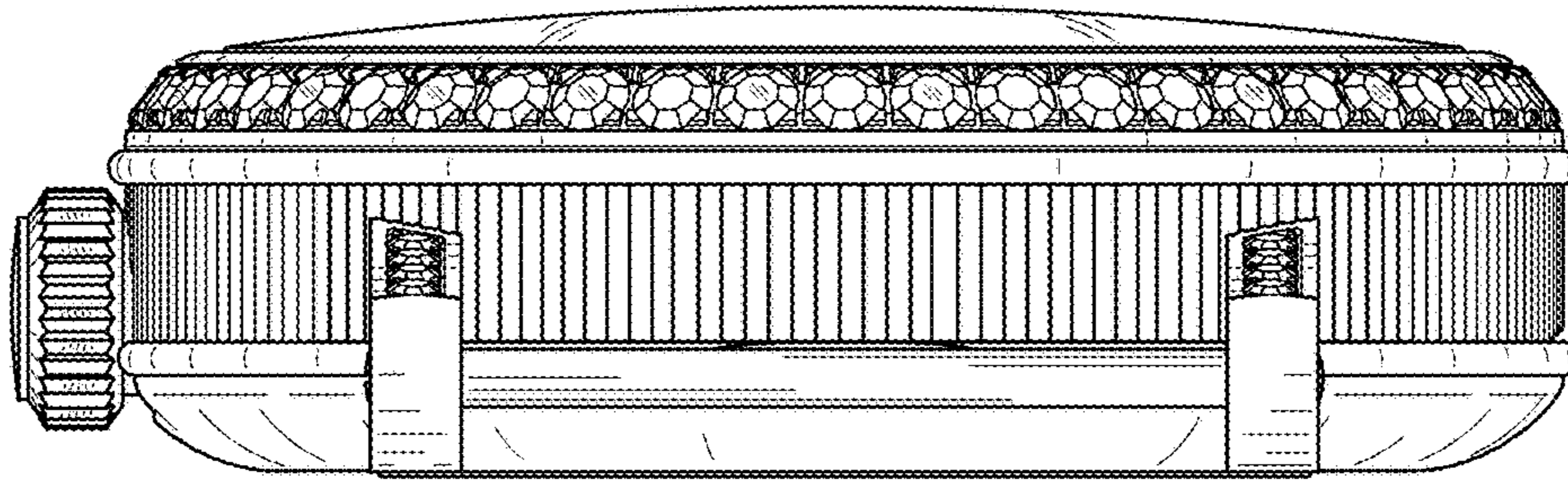


FIG. 7

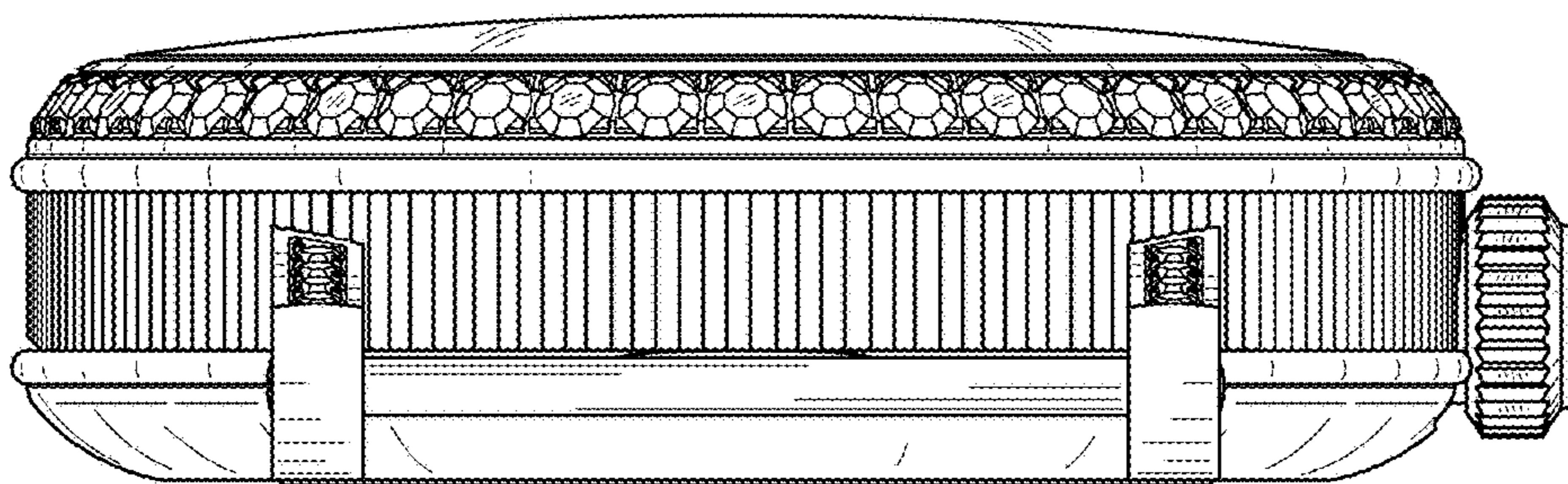


FIG. 8

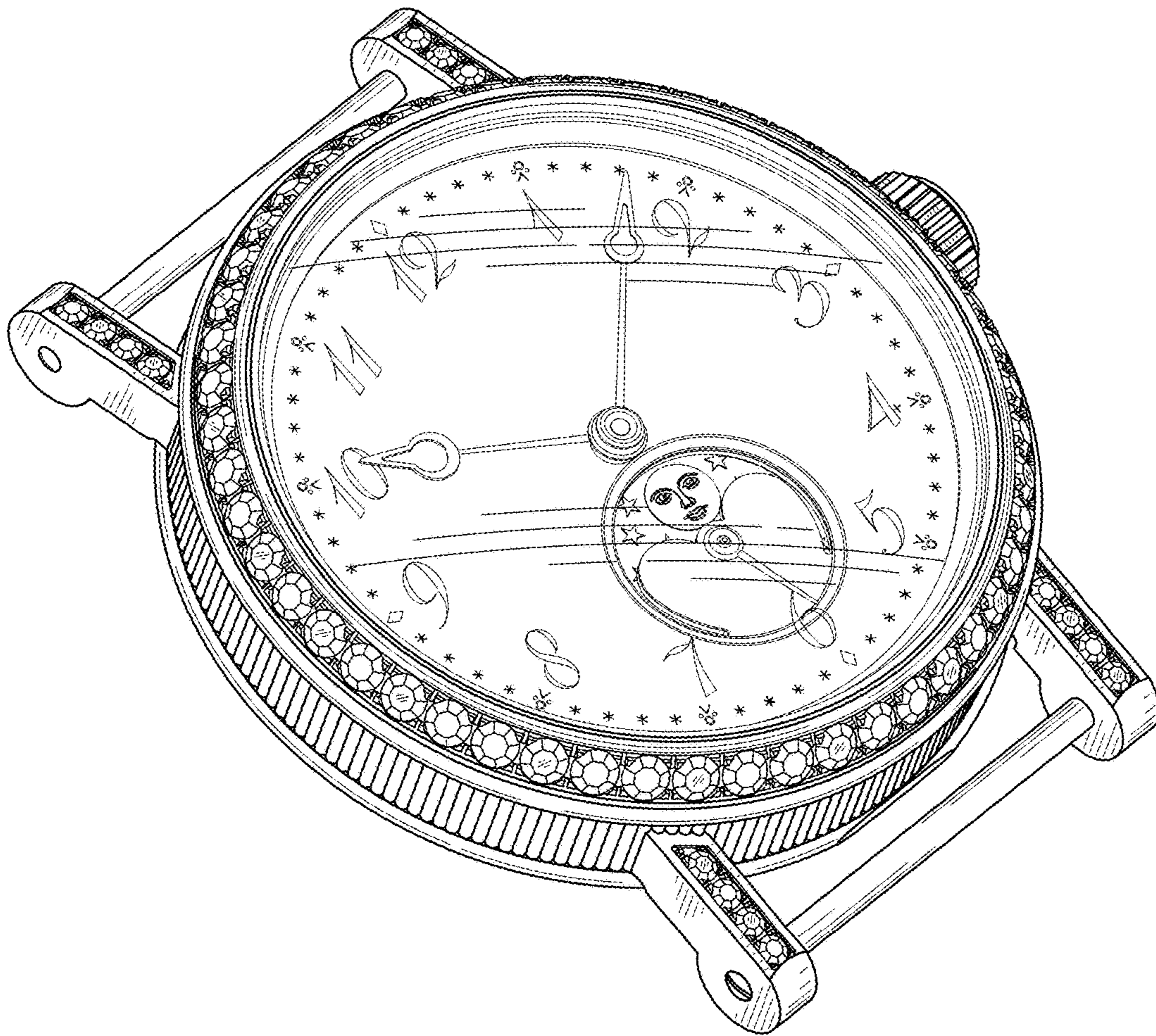


FIG. 9

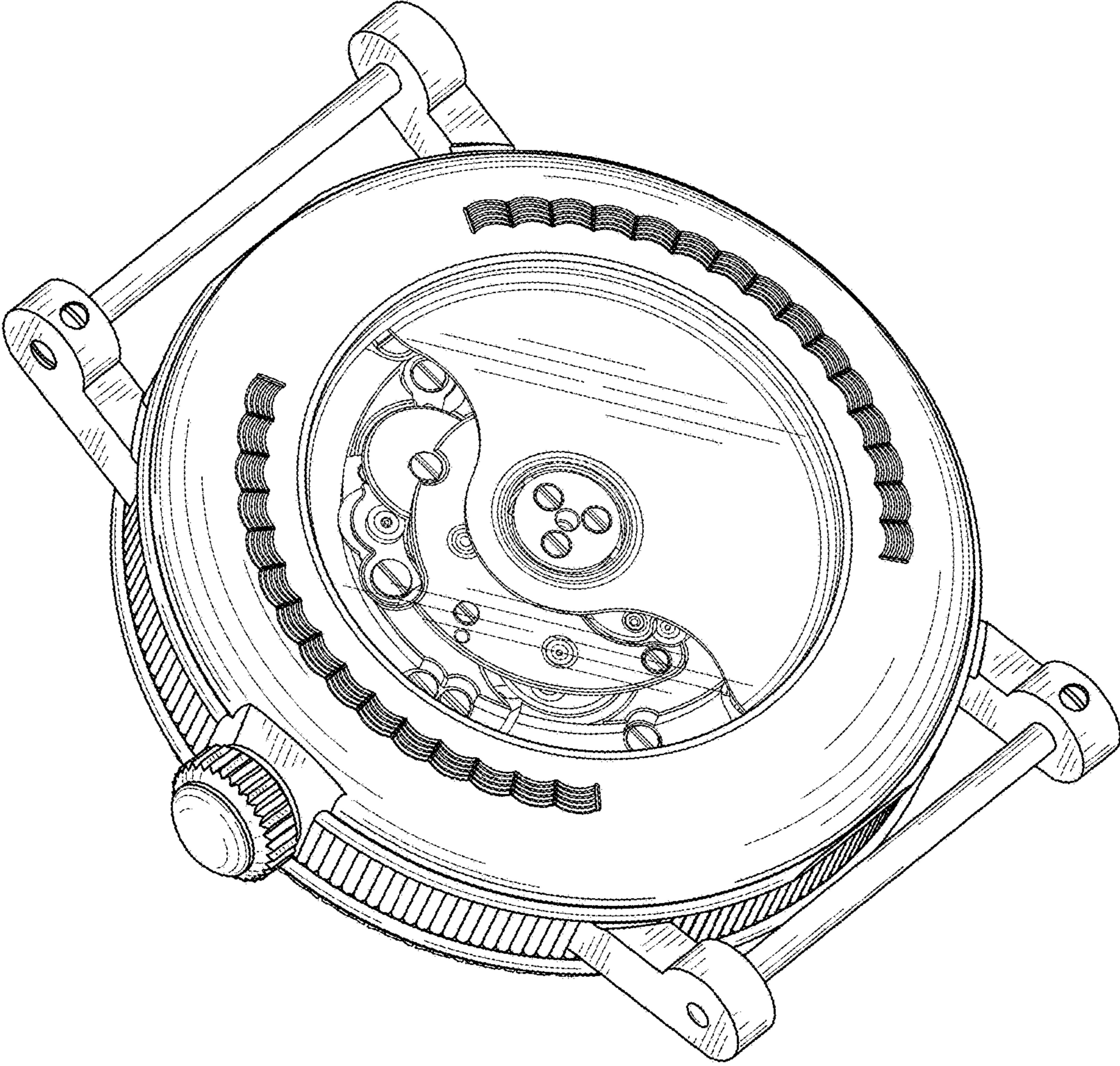


FIG. 10