



US00D792241S

(12) **United States Design Patent** (10) **Patent No.:** **US D792,241 S**
White et al. (45) **Date of Patent:** **** Jul. 18, 2017**

(54) **WATCH**

D600,144 S * 9/2009 Diltoer D10/38
D617,663 S * 6/2010 Jarvis D10/38
D746,702 S * 1/2016 Galli D10/30
D756,244 S * 5/2016 Bastian D10/132

(71) Applicant: **Nixon, Inc.**, Encinitas, CA (US)

(72) Inventors: **Tyson White**, Encinitas, CA (US); **Joe Babcock**, Encinitas, CA (US); **Nick Everist**, Encinitas, CA (US); **Mitchell Hall**, Encinitas, CA (US)

* cited by examiner

Primary Examiner — Sheryl Lane

Assistant Examiner — Calvin E Vansant

(73) Assignee: **Nixon, Inc.**, Encinitas, CA (US)

(74) *Attorney, Agent, or Firm* — Torrey Pines Law Group, PC; Kevin Buckley

(**) Term: **15 Years**

(21) Appl. No.: **29/572,084**

(57) **CLAIM**

(22) Filed: **Jul. 25, 2016**

What is claimed is the ornamental design for a watch, as shown and described.

(51) **LOC (10) Cl.** **10-02**

(52) **U.S. Cl.**
USPC **D10/30**

(58) **Field of Classification Search**
USPC D10/1-39, 122-132
CPC G04B 17/00; G04B 17/02; G04B 17/005;
G04B 17/285; G04B 37/00; G04B 37/00;
G04B 37/0058; G04B 45/00; G04B
45/02; G04B 45/038; G04B 45/0069;
G04B 45/0076; G04B 29/00
See application file for complete search history.

DESCRIPTION

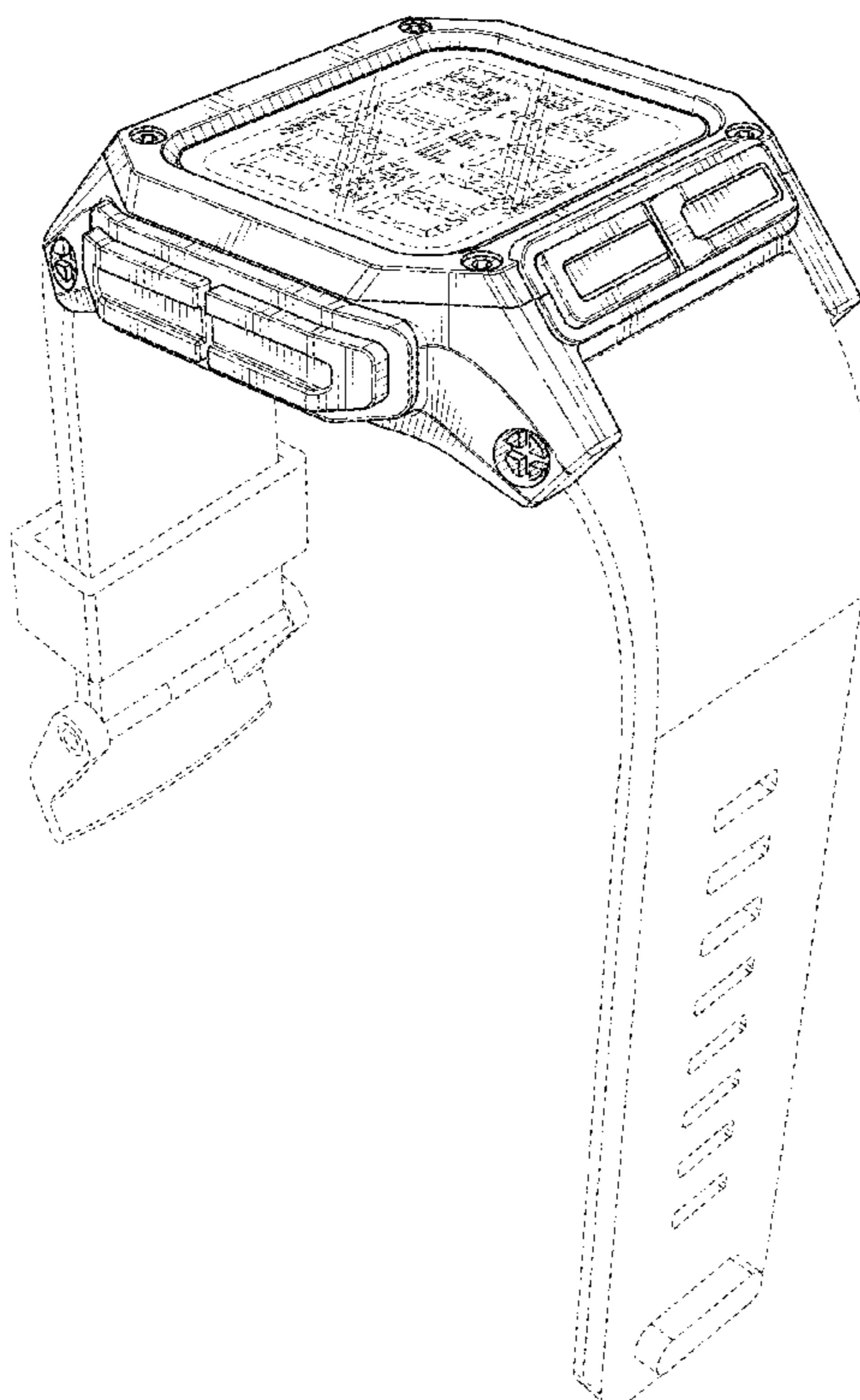
FIG. 1 is a front left perspective view of a watch showing our new design;
FIG. 2 is a front view thereof;
FIG. 3 is a back view thereof;
FIG. 4 is a left side view thereof;
FIG. 5 is a right side view thereof;
FIG. 6 is a top view thereof; and,
FIG. 7 is a bottom view thereof.
The broken lines depict portions of the watch and form no part of the claim.

(56) **References Cited**

U.S. PATENT DOCUMENTS

D370,639 S * 6/1996 Morishima D10/38
D584,170 S * 1/2009 Morrison D10/32

1 Claim, 6 Drawing Sheets



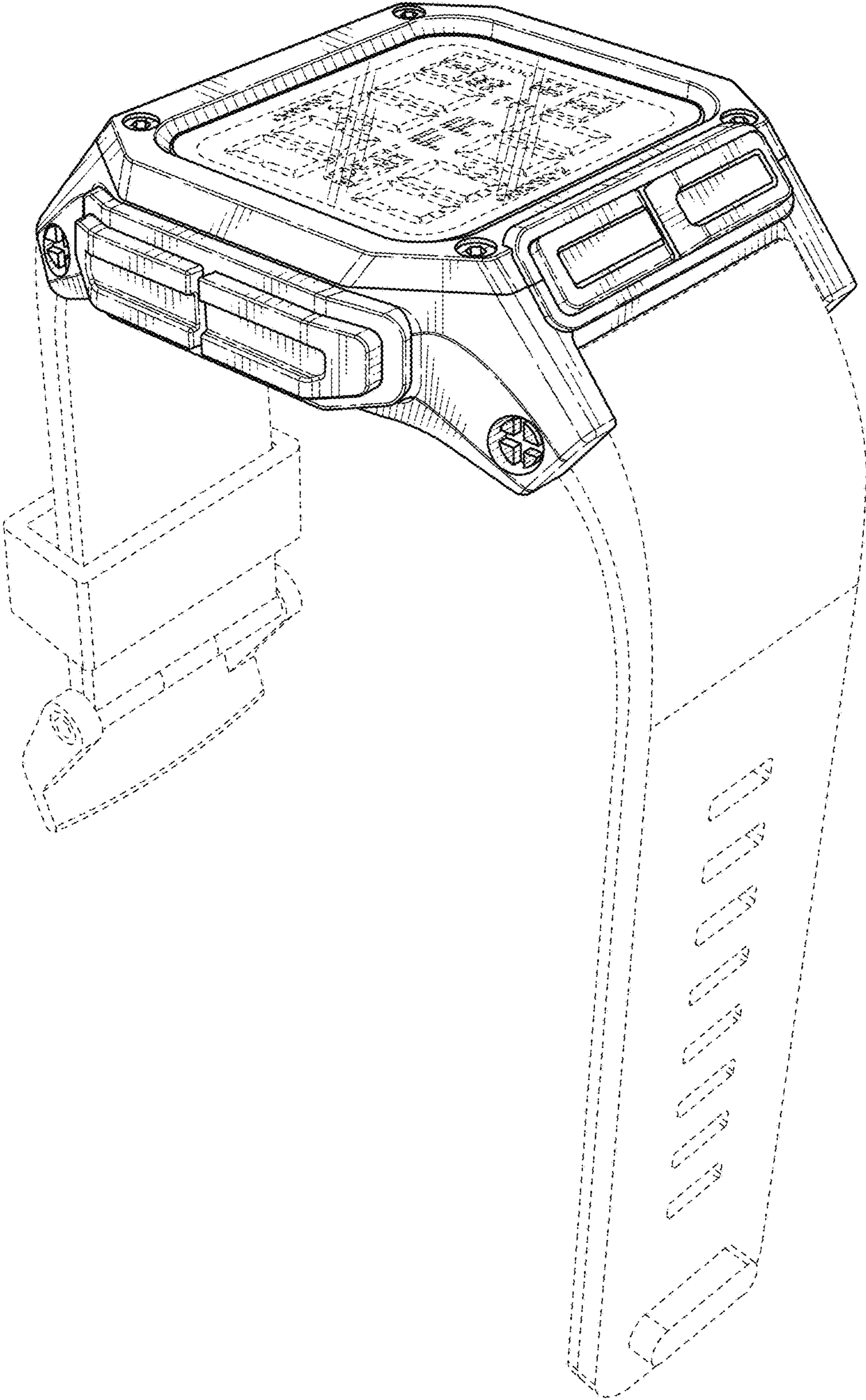


FIG. 1

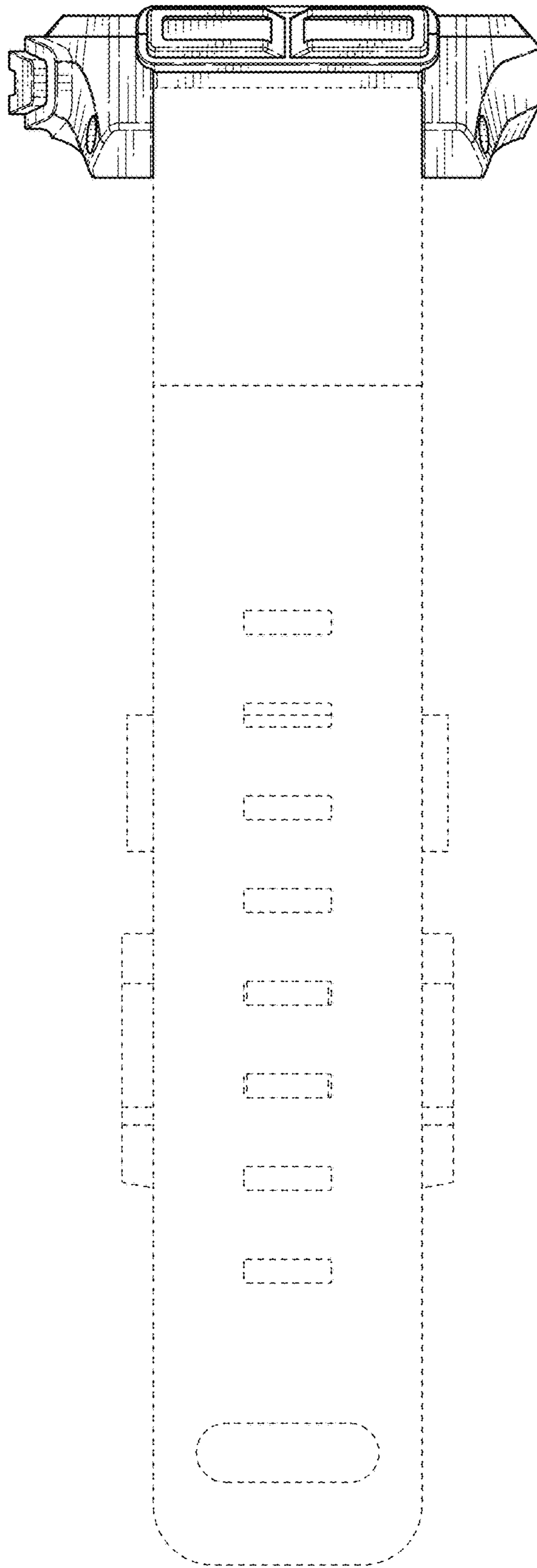


FIG. 2

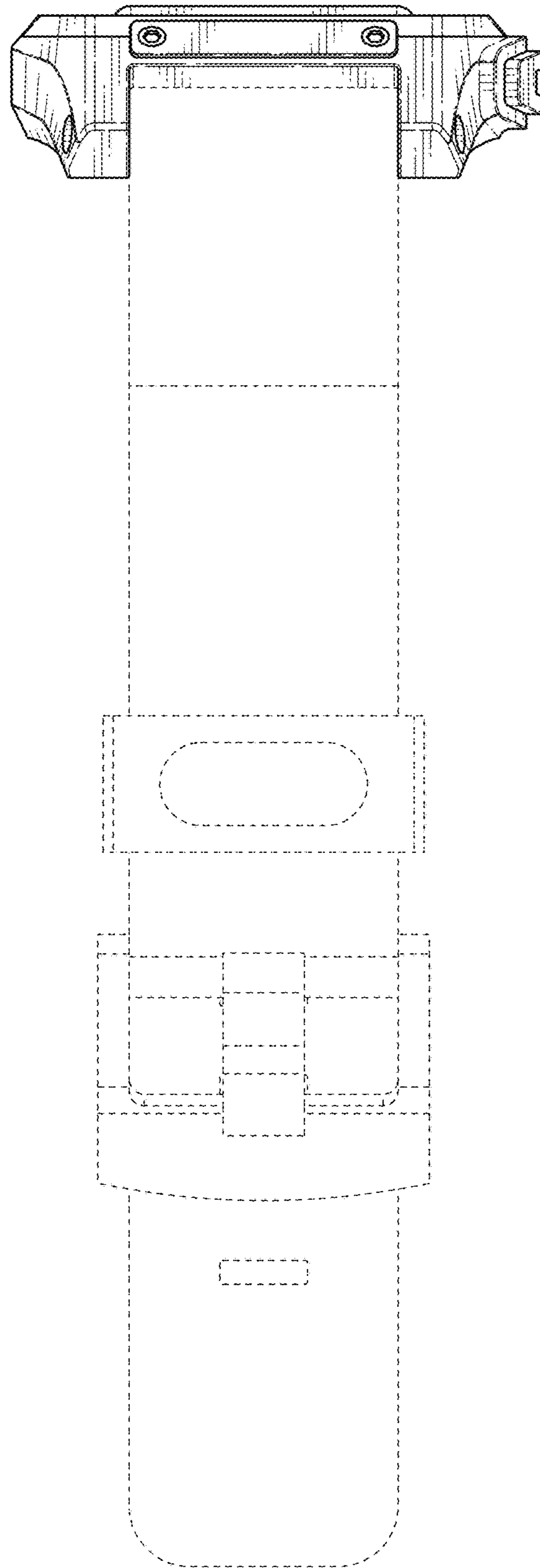


FIG. 3

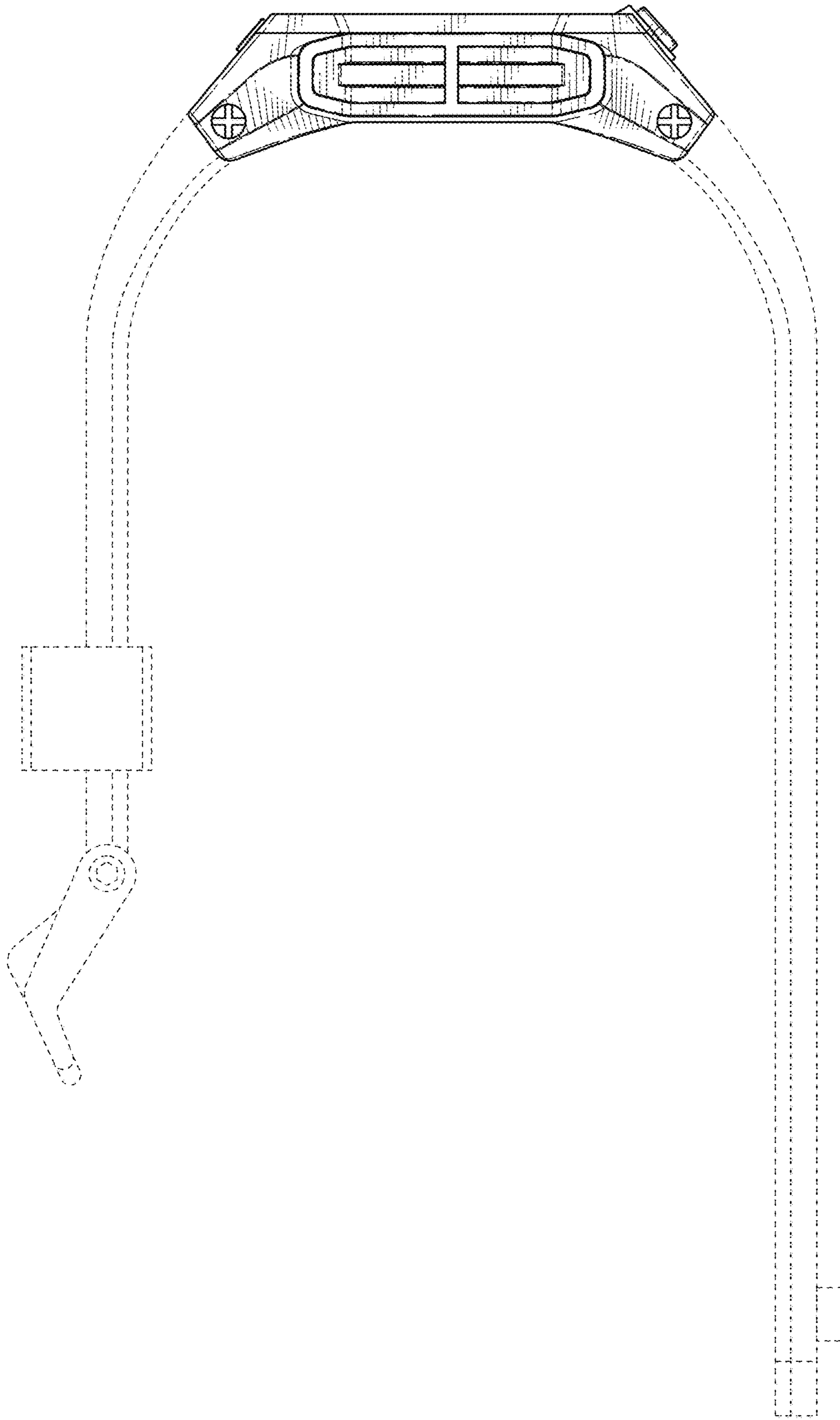


FIG. 4

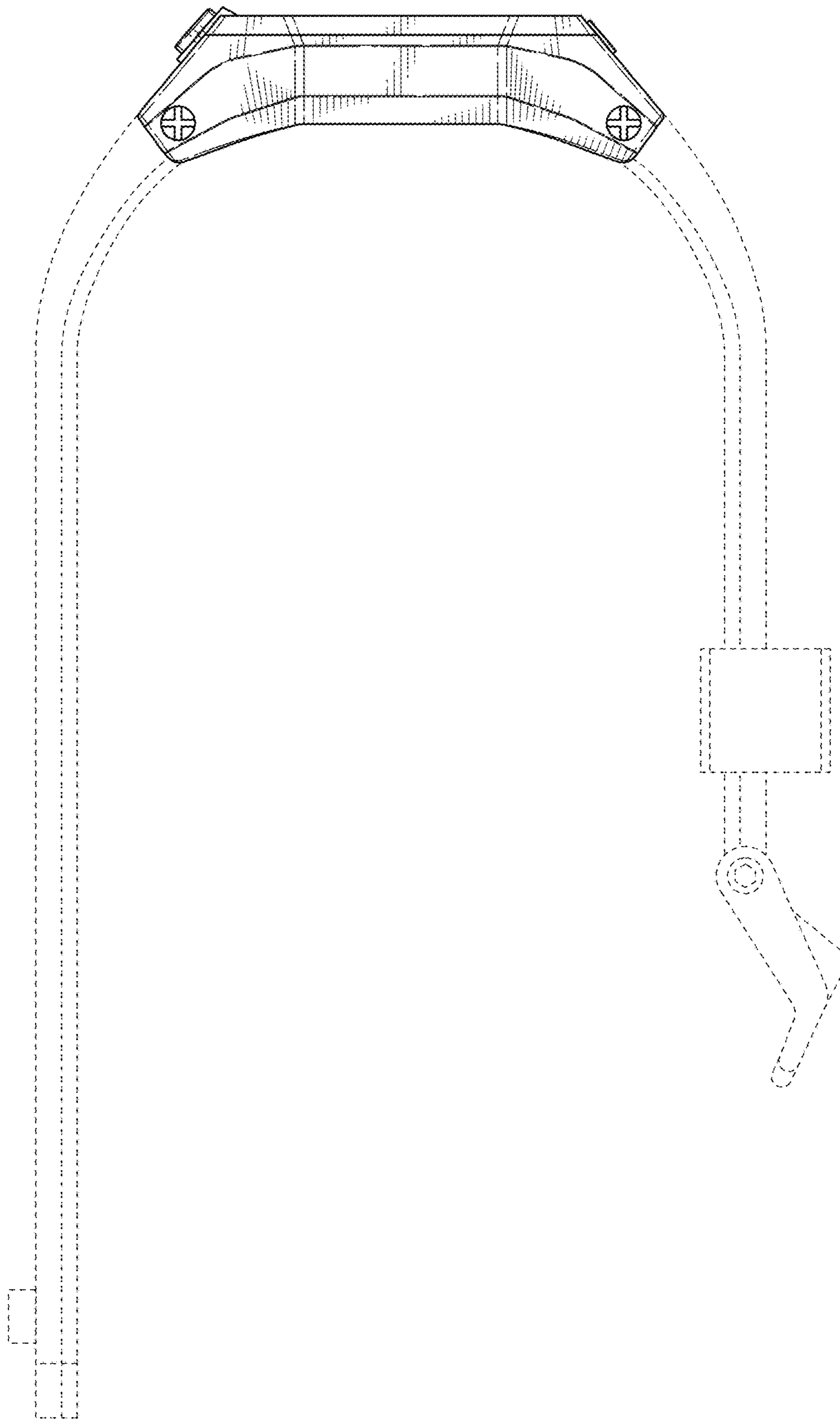


FIG. 5

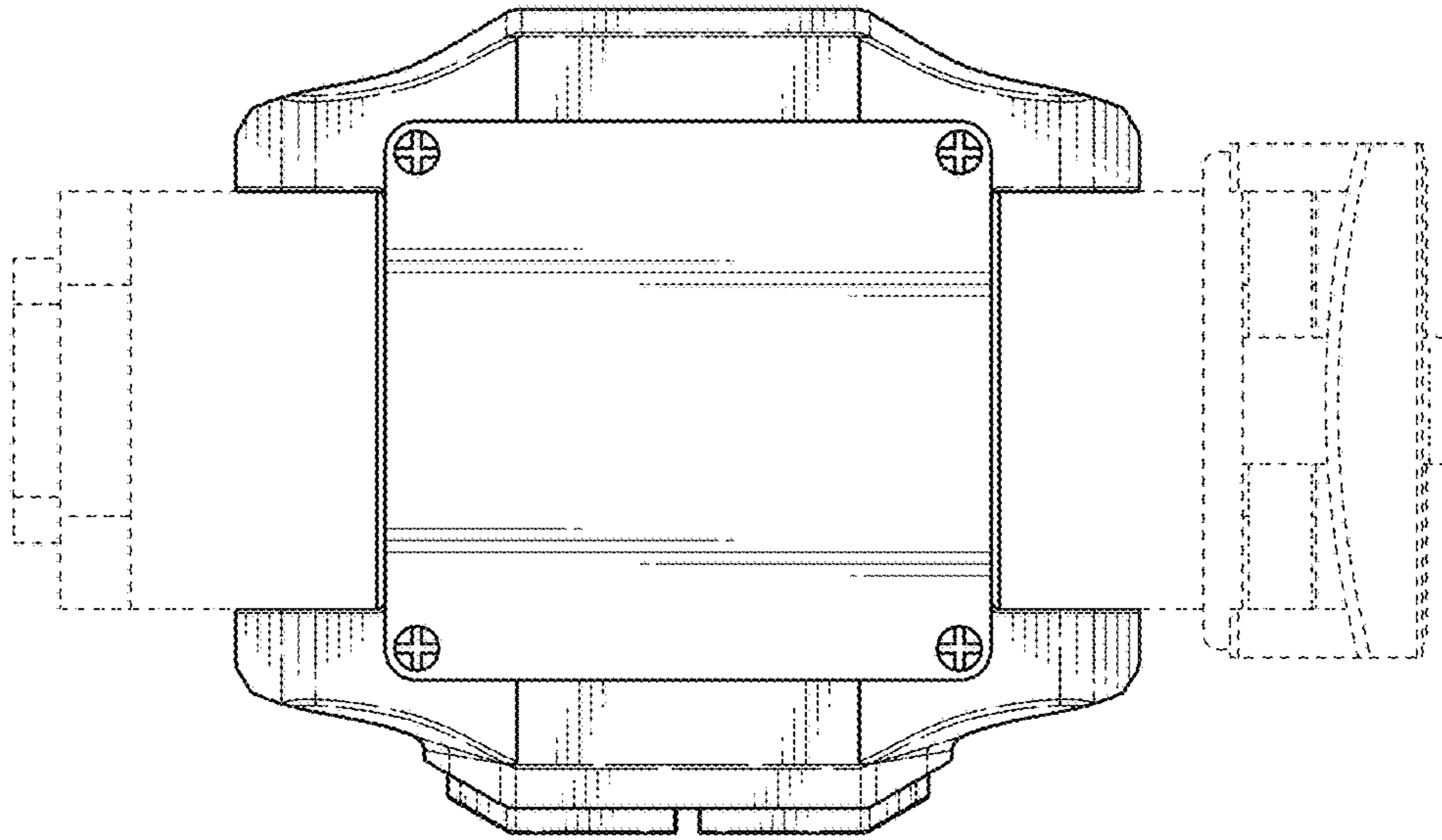


FIG. 7

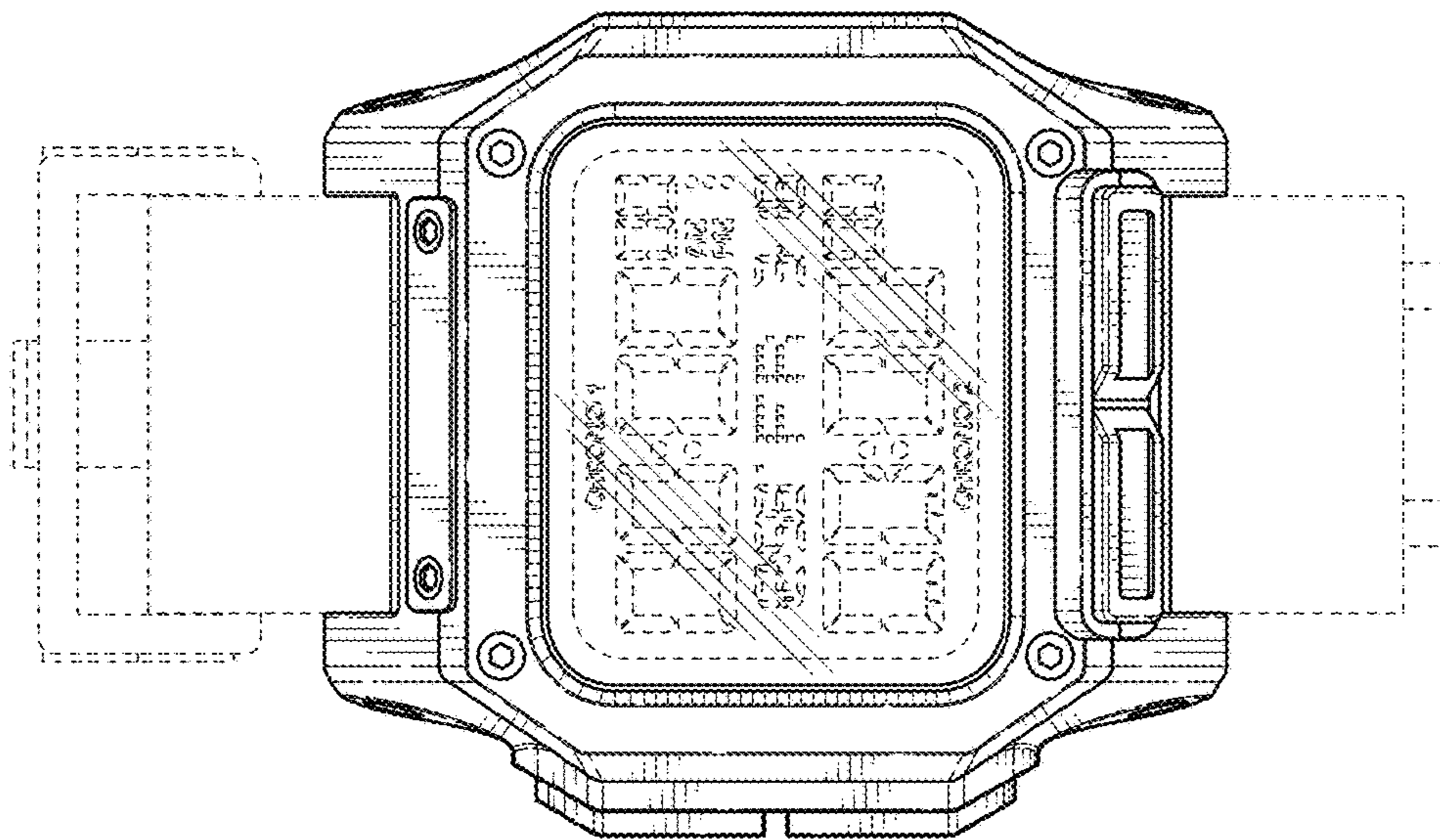


FIG. 6