



US00D792240S

(12) **United States Design Patent**
Sellari et al.

(10) **Patent No.:** **US D792,240 S**
(45) **Date of Patent:** **** Jul. 18, 2017**

(54) **CUPCAKE CONTAINER**

(71) Applicant: **Inline Plastics Corp.**, Shelton, CT (US)

(72) Inventors: **Robert Sellari**, Huntington, CT (US);
Rafael Rivera, Bridgeport, CT (US);
Sameh Guirguis, Shelton, CT (US)

(73) Assignee: **Inline Plastics Corp.**, Shelton, CT (US)

(**) Term: **15 Years**

(21) Appl. No.: **29/559,826**

(22) Filed: **Mar. 31, 2016**

(51) **LOC (10) Cl.** **09-03**

(52) **U.S. Cl.**
USPC **D9/761; D9/756**

(58) **Field of Classification Search**

USPC D9/414, 420-426, 429-432, 737,
D9/756-762; D7/538, 540-542, 550.1,
D7/553.1-553.5, 554.1, 554.3, 554.4, 555,
D7/557, 584, 586, 601, 602, 610, 611,
D7/614, 615, 701, 703, 707, 708;
206/488, 457, 776, 551, 754, 755, 804,
206/817, 589, 579; 220/780-806, 475,
220/674, 675, 4.21-4.24, 555, 556, 810,
220/836, 837, 841, 366.1, 467; D3/206,
D3/270, 294, 273, 20, 203.3, 276, 282,
D3/284, 293, 295-298, 302, 315, 901,
D3/903, 905; 229/906, 902, 904, 406,
229/407, 903, 110; 426/106
CPC .. A23B 5/00; B65D 1/36; B65D 2543/00194;
B65D 2543/00296; B65D 43/162; B65D
2543/00203; B65D 2543/00351; B65D
2543/00425; B65D 85/60

See application file for complete search history.

(56) **References Cited**

U.S. PATENT DOCUMENTS

3,512,458 A * 5/1970 Ehe B65D 1/30
206/564
D514,452 S * 2/2006 Enriquez D9/759

(Continued)

OTHER PUBLICATIONS

Inline Plastics SureLock® Pet Food Container Clear, available May 21, 2015, [online], [site visited Feb. 19, 2017]. Available from internet, <URL: <https://www.pjpmarketplace.com/inline-surelockr-hinged-lid-12-count-cupcake-container-pete.html>>.*

(Continued)

Primary Examiner — Cathron Brooks

Assistant Examiner — Teddy Falloway

(74) *Attorney, Agent, or Firm* — Locke Lord LLP; David J. Silvia

(57) **CLAIM**

The ornamental design for a cupcake container, as shown and described.

DESCRIPTION

FIG. 1 is a perspective view showing the top of the cupcake container of the subject disclosure;

FIG. 2 is a front side view of the cupcake container of FIG. 1

FIG. 3 is a rear side view of the cupcake container of FIG. 1;

FIG. 4 is a right side view of the cupcake container of FIG. 1;

FIG. 5 is a left side view of the cupcake container of FIG. 1;

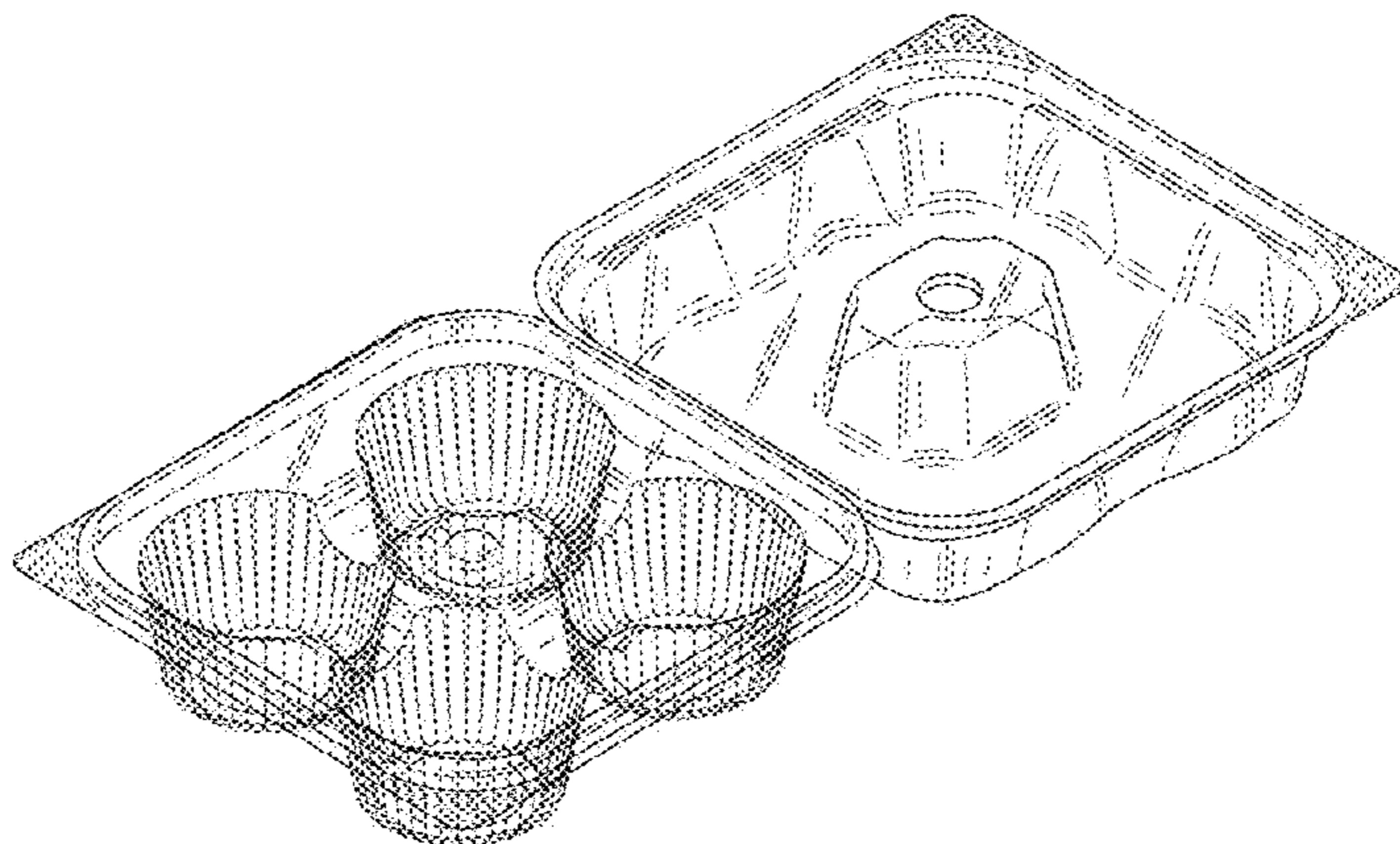
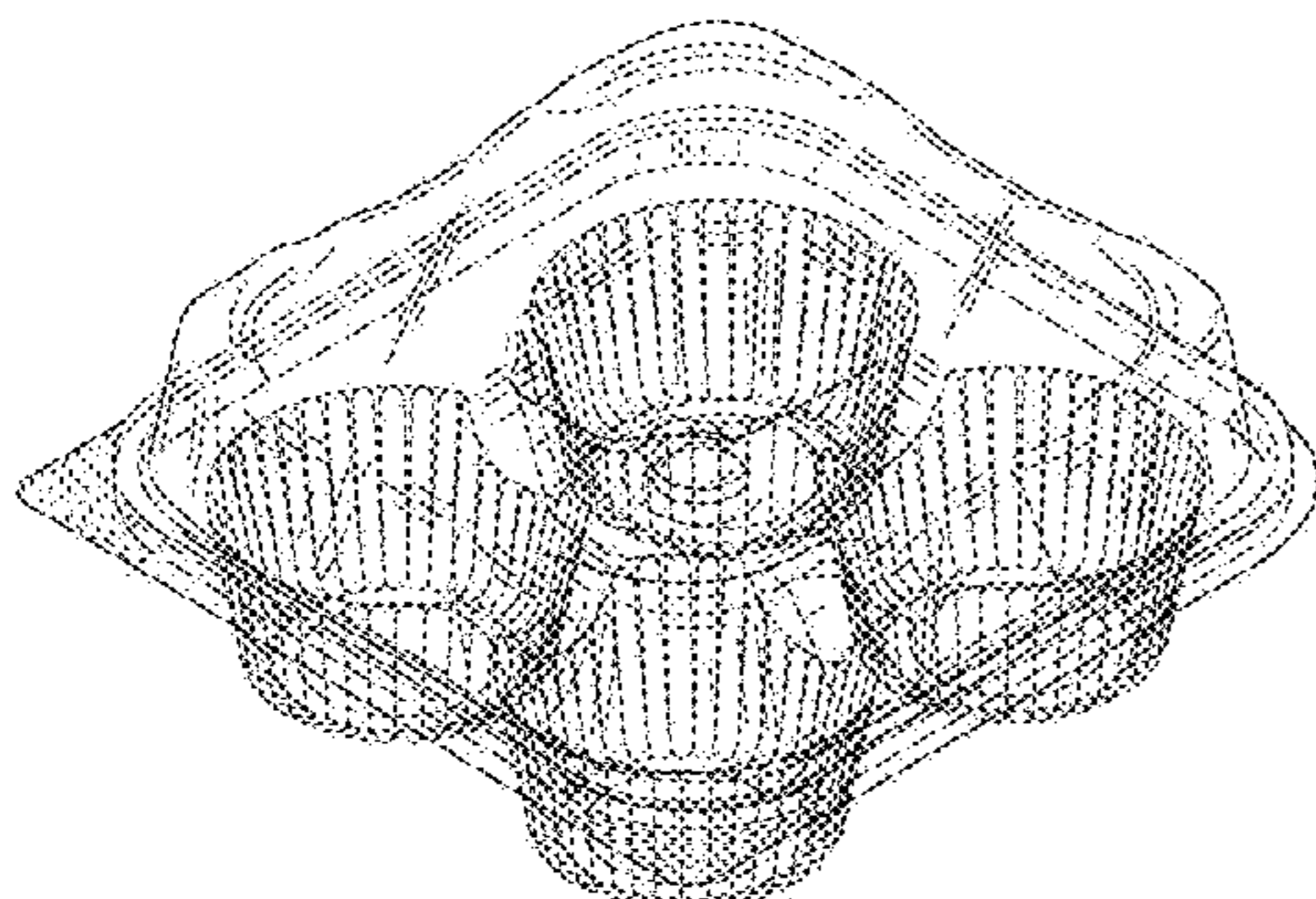
FIG. 6 is a top plan view of the cupcake container of FIG. 1;

FIG. 7 is a bottom plan view of the cupcake container of FIG. 1; and,

FIG. 8 is a view from above illustrating the cupcake container of FIG. 1 in the open configuration.

The broken lines shown are included for the purpose of illustrating portions of the cupcake container that form no part of the claimed design.

1 Claim, 8 Drawing Sheets



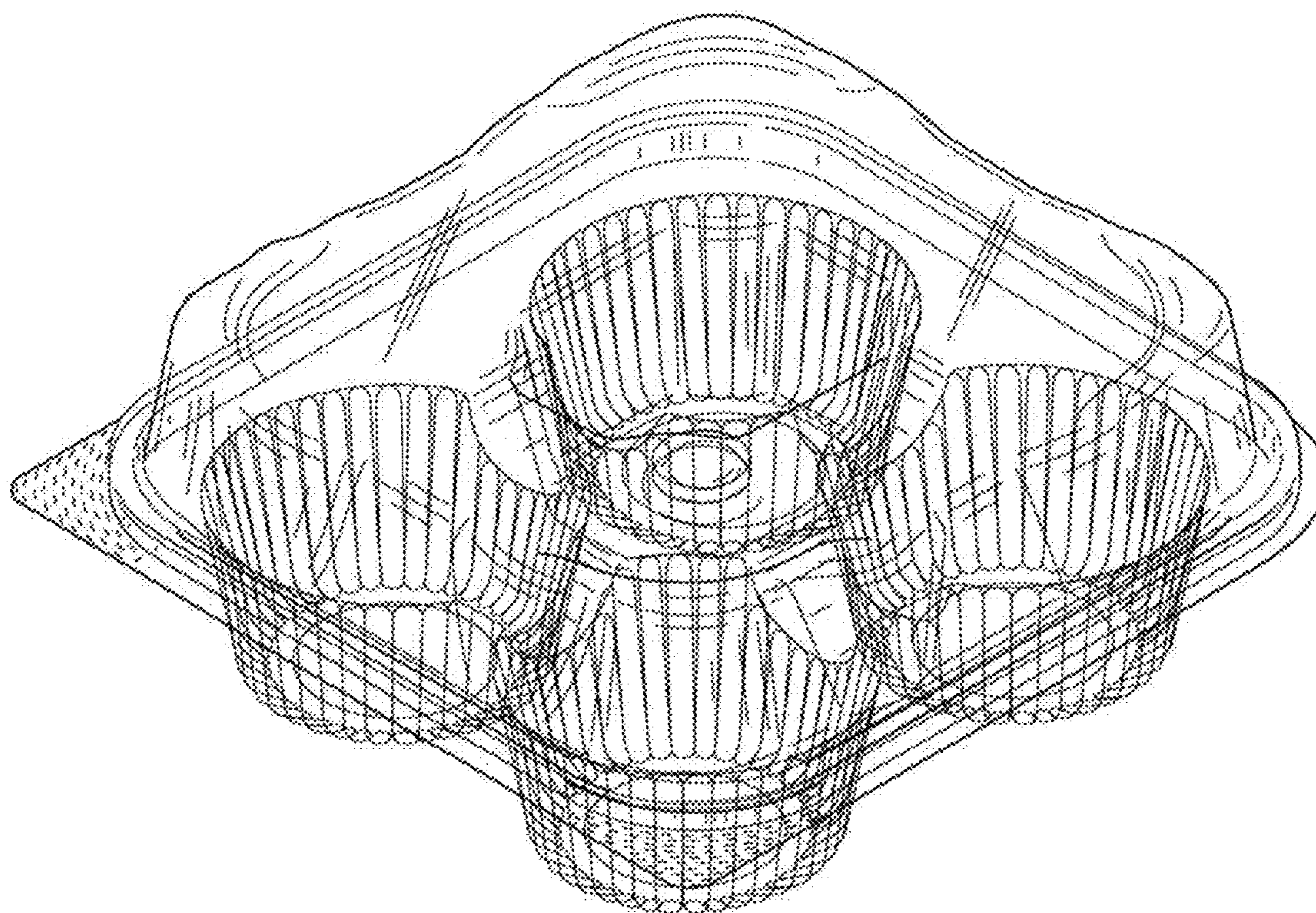


FIG. 1

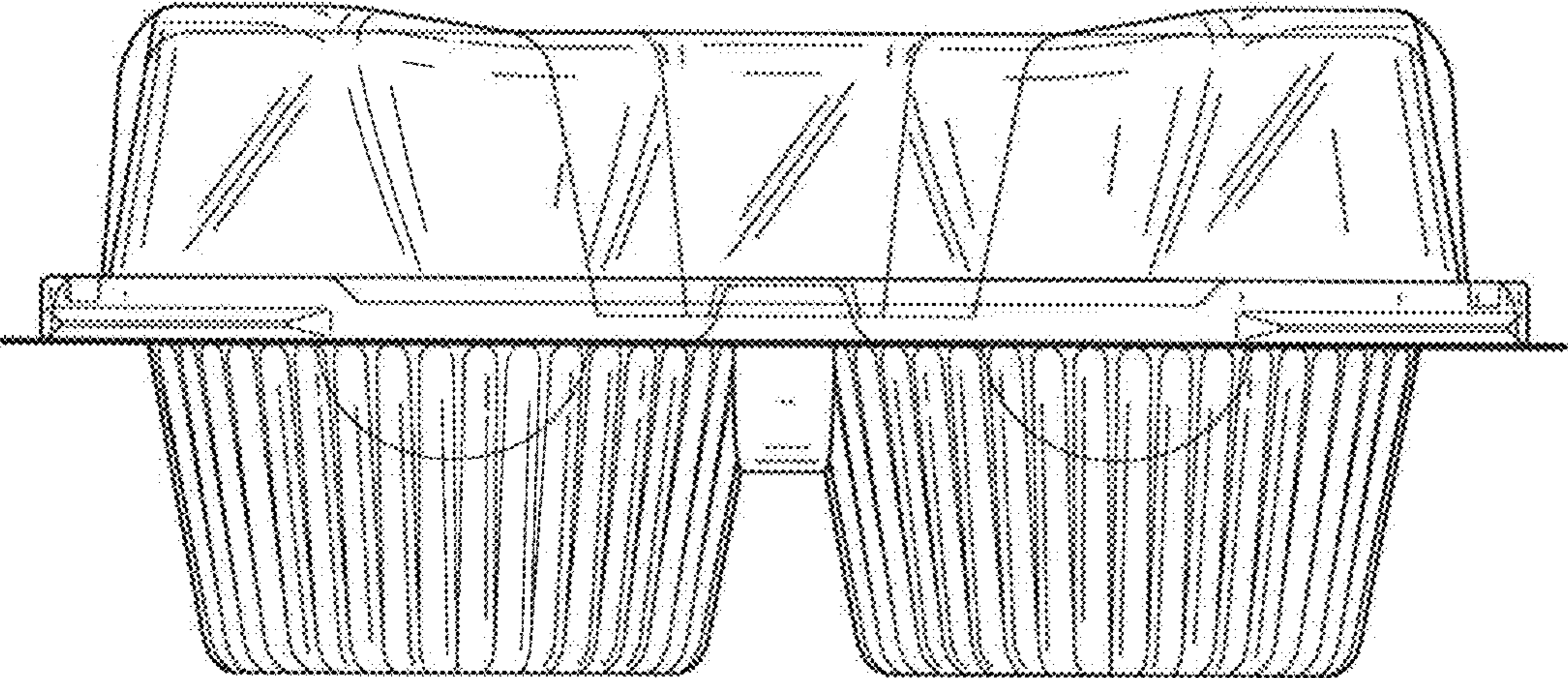


FIG. 2

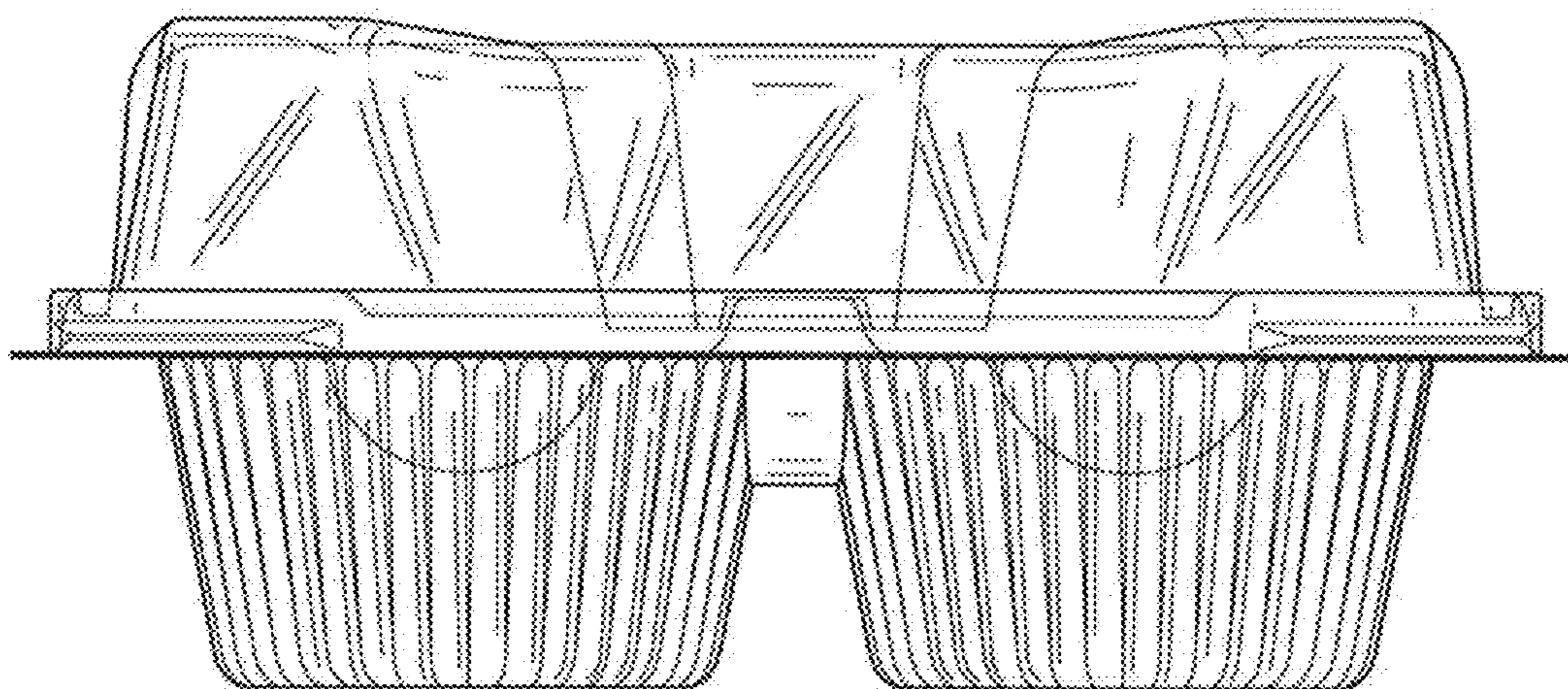


FIG. 3

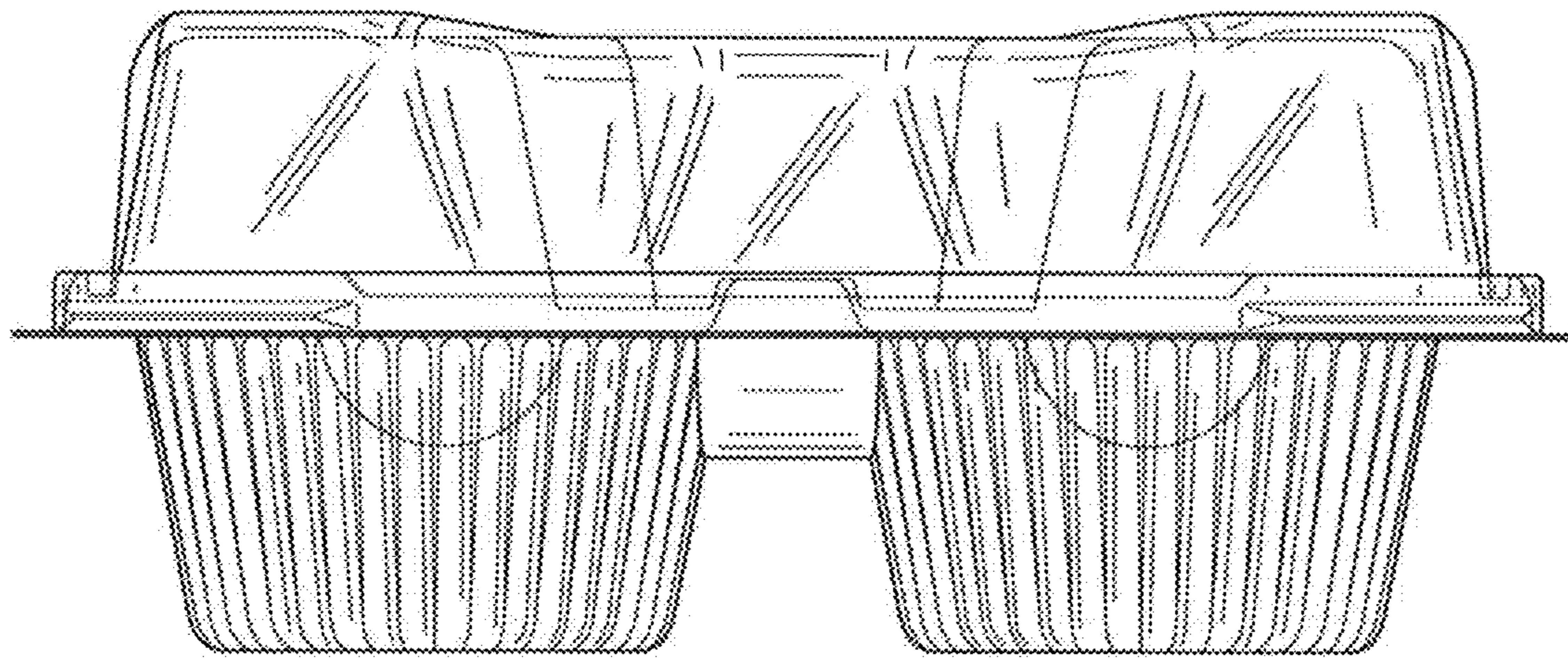


FIG. 4

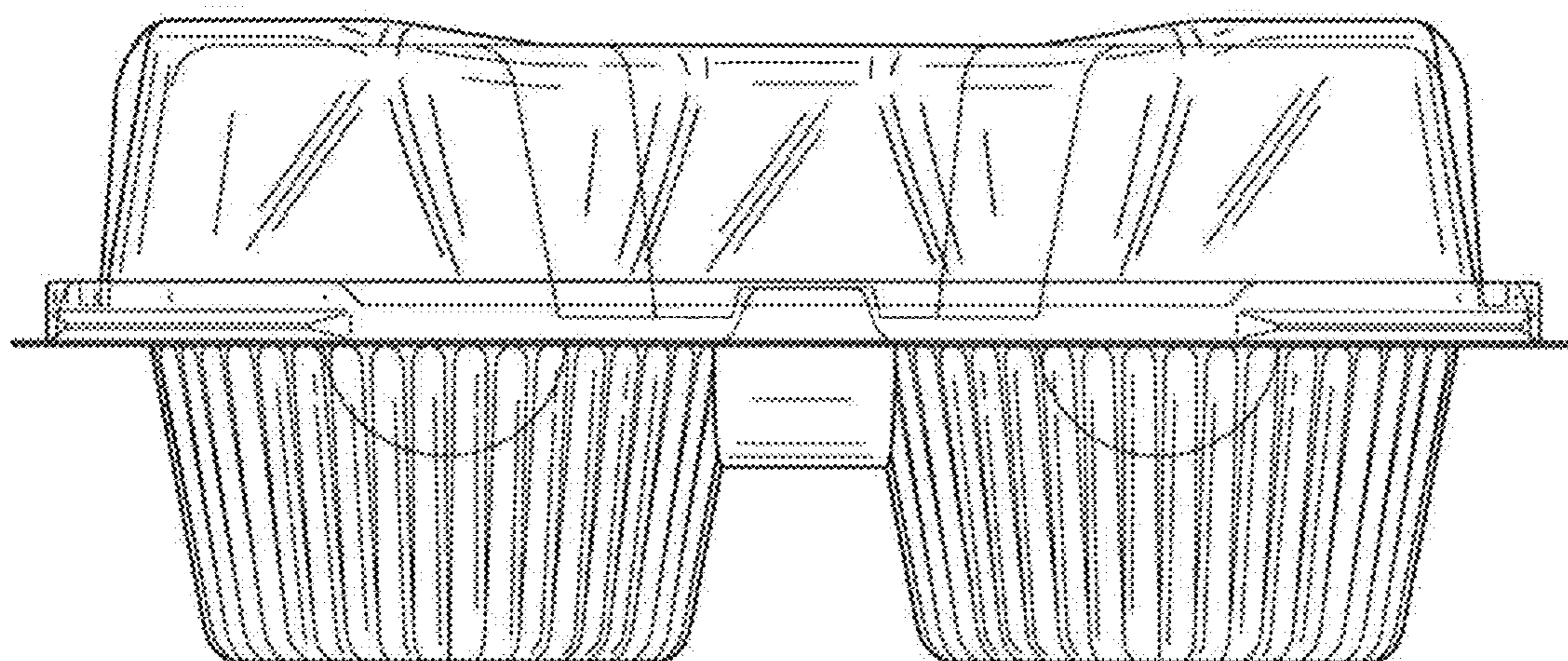


FIG. 5

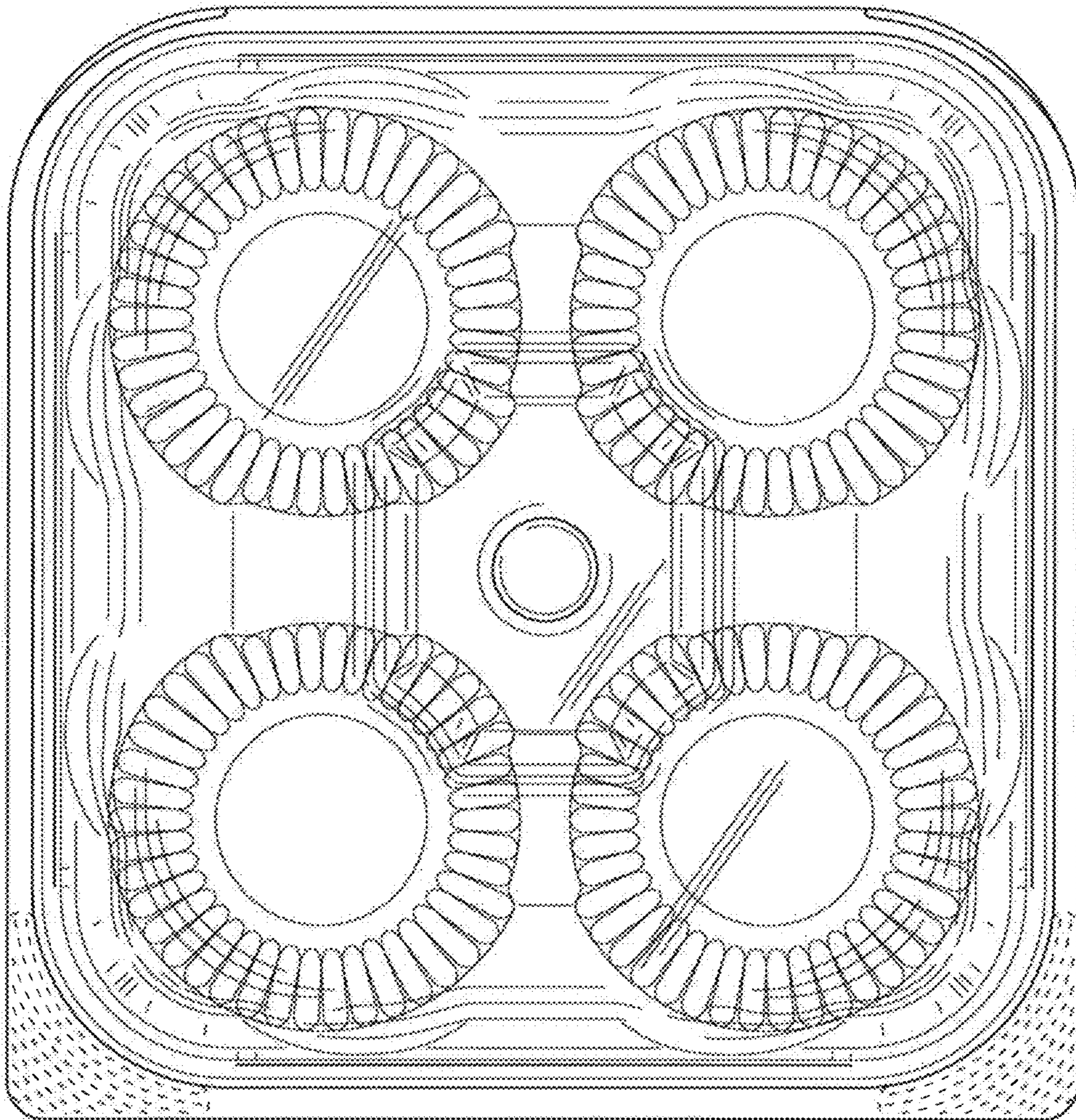


FIG. 6

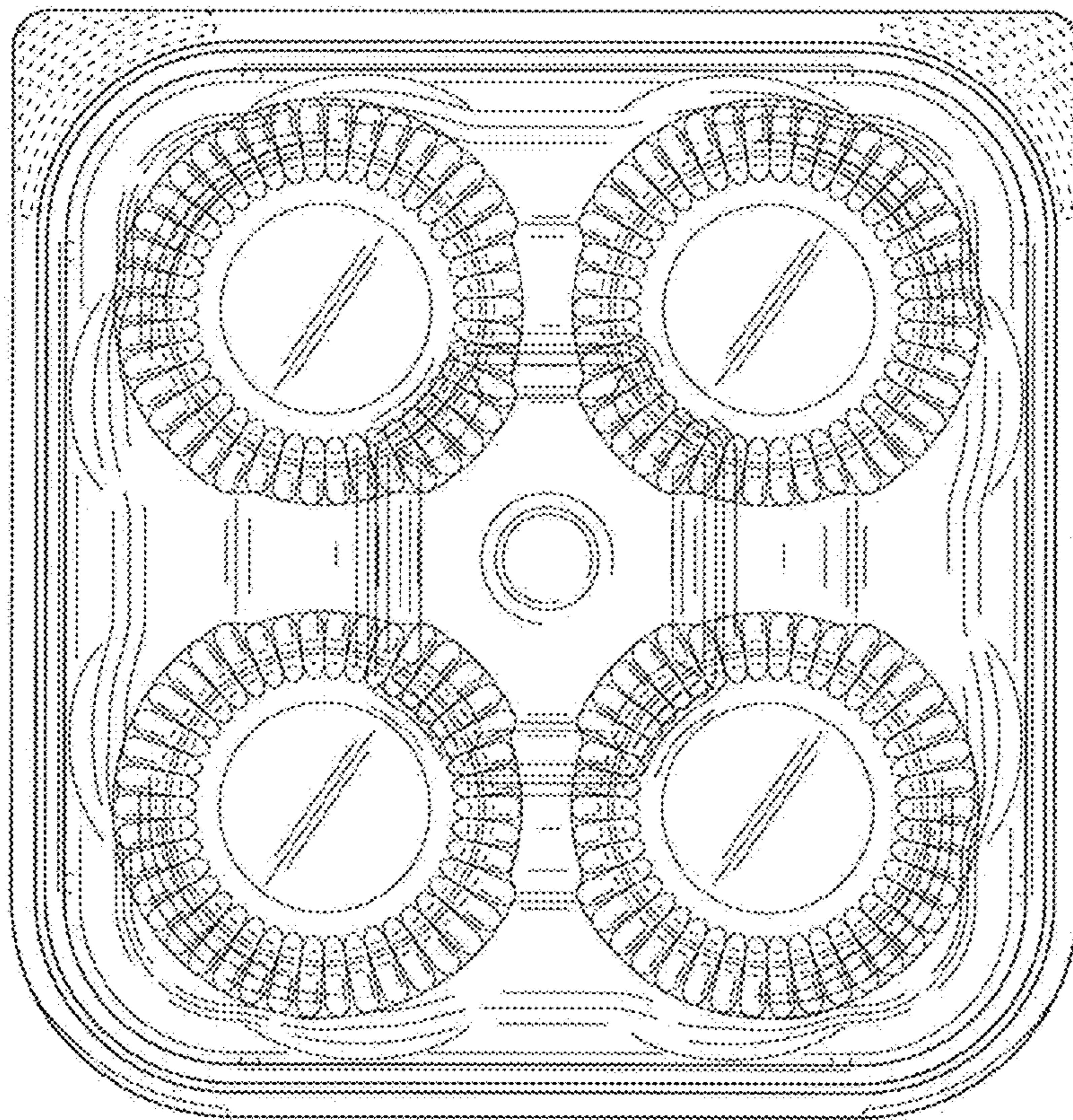


FIG. 7

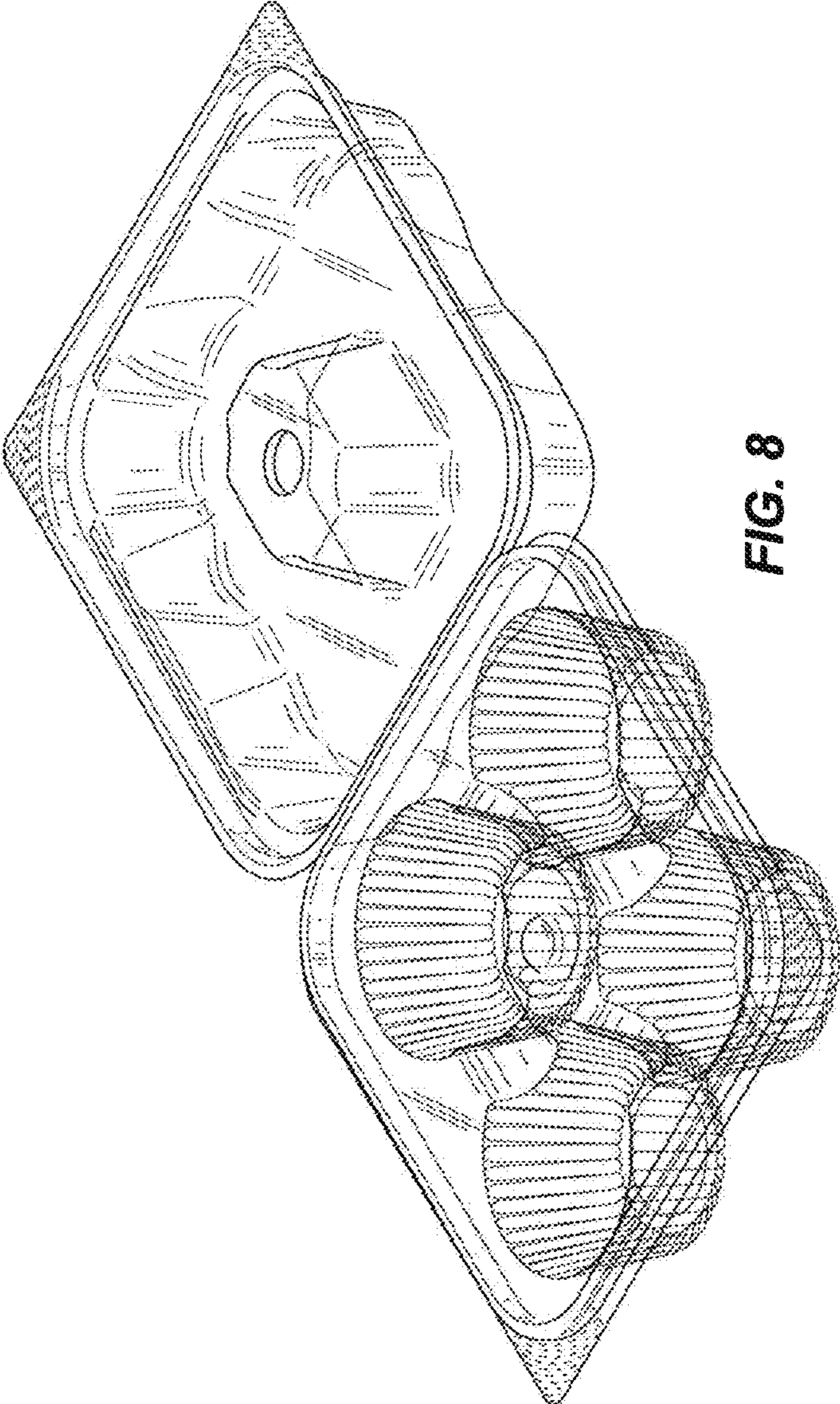


FIG. 8