



US00D792237S

(12) **United States Design Patent**
Billen

(10) **Patent No.:** **US D792,237 S**

(45) **Date of Patent:** **** Jul. 18, 2017**

(54) **VEHICLE CARTON**
(71) Applicant: **Kid Stuff Marketing, Inc.**, Topeka, KS (US)
(72) Inventor: **William D. Billen**, Topeka, KS (US)
(73) Assignee: **Kid Stuff Marketing, Inc.**, Topeka, KS (US)
(**) Term: **15 Years**

4,804,133 A * 2/1989 Kiyokane G09F 1/08
206/457
5,454,508 A * 10/1995 Billen B65D 81/368
446/80
D374,175 S * 10/1996 Tesar D9/675
5,622,256 A * 4/1997 Tesar B65D 81/368
206/457
D386,399 S * 11/1997 Stokely D9/675
D444,187 S * 6/2001 Mankowski D21/548
D531,516 S * 11/2006 Sellars D3/271.11
D534,810 S * 1/2007 Sellars D9/675
D536,260 S * 2/2007 Young D9/675

(Continued)

(21) Appl. No.: **29/556,617**
(22) Filed: **Mar. 2, 2016**
(51) **LOC (10) Cl.** **09-01**
(52) **U.S. Cl.**
USPC **D9/675; D21/551**
(58) **Field of Classification Search**
USPC D3/270, 271.1-271.4; D7/514-520, 599,
D7/604, 613, 619.2, 623, 628; D9/600,
D9/572-577, 414, 418, 430-434;
206/457, 459.5, 527; 215/387-388,
215/381-384, 400; 229/150, 153, 116.4;
220/890; D21/549, 551; 446/77, 78, 80
CPC B65D 5/4258; B65D 81/60; B65D 81/365;
B65D 81/366; B65D 81/368; B65D
2203/00; B65D 2203/02; A63H 33/16
See application file for complete search history.

OTHER PUBLICATIONS

2007 QSR.FPI Foodservice Packaging Awaras, dated Oct. 23, 2007
www.slideshare.net/purdy/2007-sqrfpi-foodservice-packaging-awards.*

(Continued)

Primary Examiner — Sandra Morris
(74) *Attorney, Agent, or Firm* — Erickson Kernell IP, LLC

(57) **CLAIM**

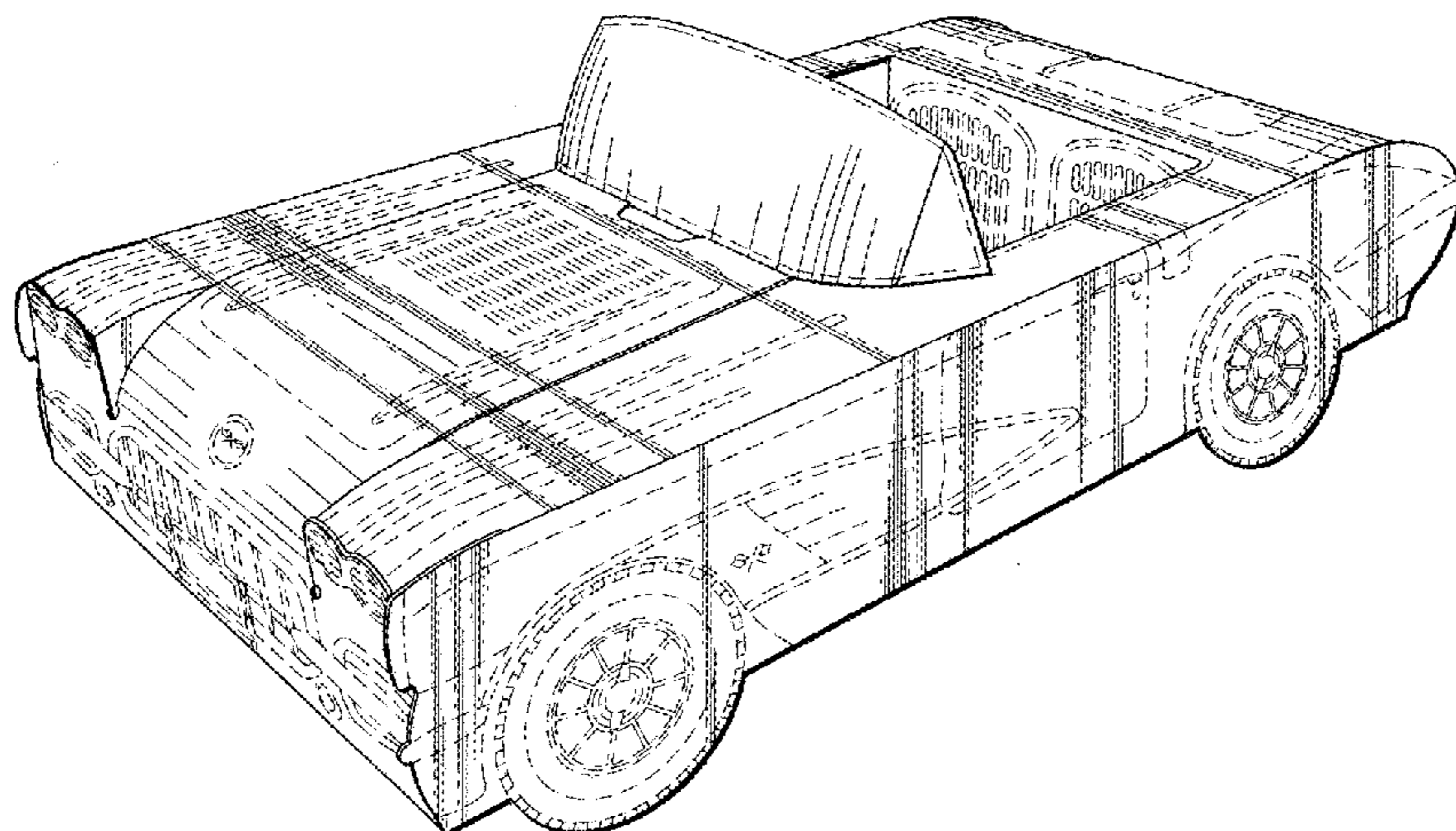
The ornamental design for a vehicle carton, as shown and described.

DESCRIPTION

FIG. 1 is a perspective view of an ornamental design for a vehicle carton;
FIG. 2 is a side view thereof;
FIG. 3 is a front end view thereof;
FIG. 4 is a rear end view thereof;
FIG. 5 is a top view thereof;
FIG. 6 is a bottom view thereof; and,
FIG. 7 is a flat unfolded view of thereof.
The broken lines in FIGS. 1-6 are for illustrative purposes only and form no part of the design. The broken lines in FIG. 7 depict fold lines.

1 Claim, 6 Drawing Sheets

(56) **References Cited**
U.S. PATENT DOCUMENTS
1,547,176 A * 7/1925 Lazaron A63H 33/16
446/77
1,553,793 A * 9/1925 Rozowsky B65D 81/368
446/76
D214,262 S * 5/1969 Paige D21/551
D219,930 S * 2/1971 Fogarty et al. D21/551
4,055,250 A * 10/1977 Mayhew B65D 81/368
206/457
D256,670 S * 9/1980 Fish D9/675
4,643,349 A * 2/1987 Sheffer B65D 81/368
206/457



(56)

References Cited

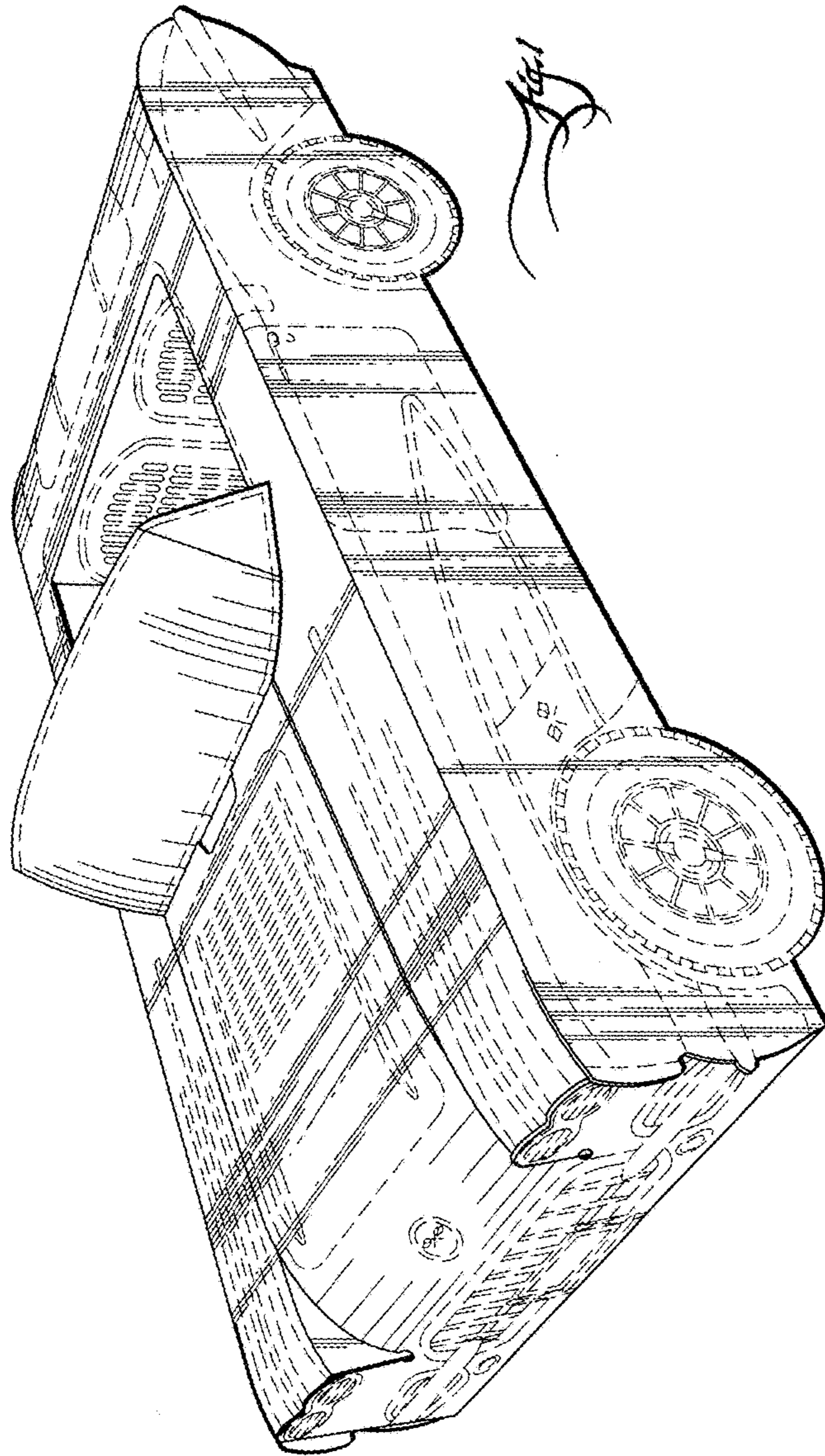
U.S. PATENT DOCUMENTS

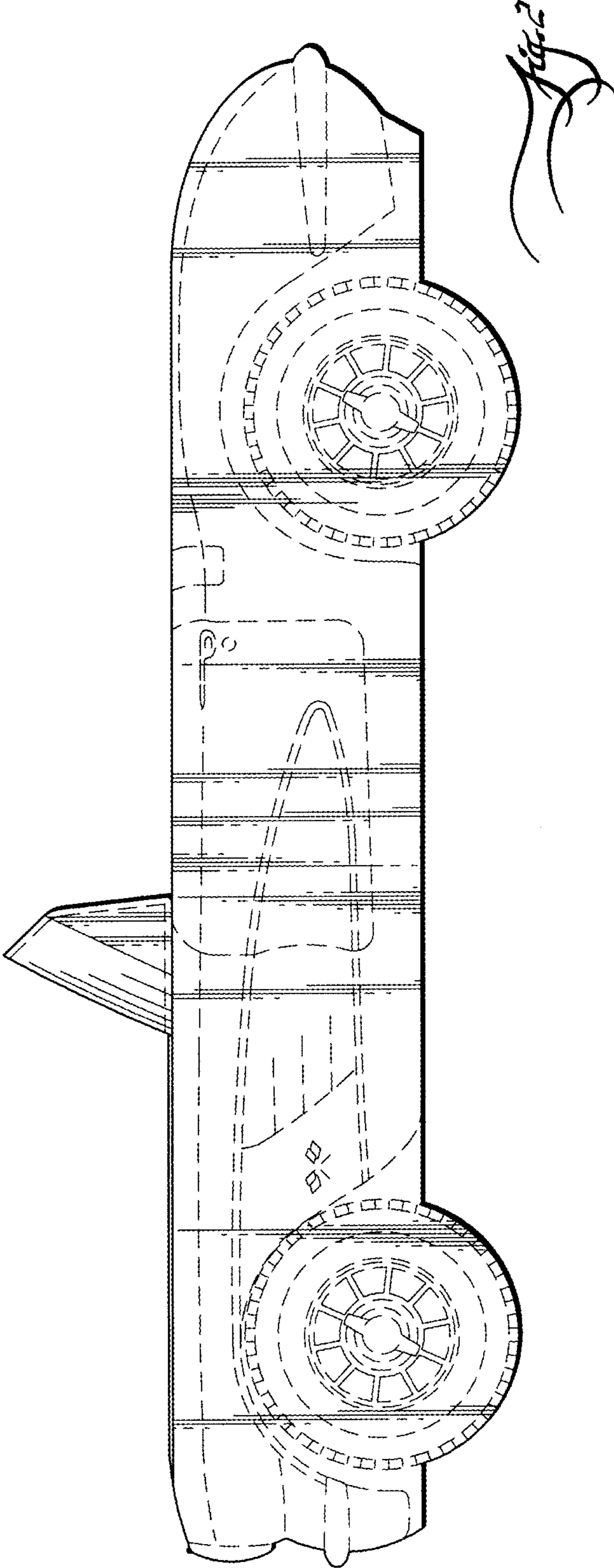
7,487,903 B2 * 2/2009 Billen A63H 33/16
206/457
D593,615 S * 6/2009 Woodard D21/551
D638,305 S * 5/2011 Brogan D9/675
8,511,537 B2 * 8/2013 Billen A63H 17/00
206/457
2015/0329269 A1 * 11/2015 Billen B65D 5/4266
229/116.4

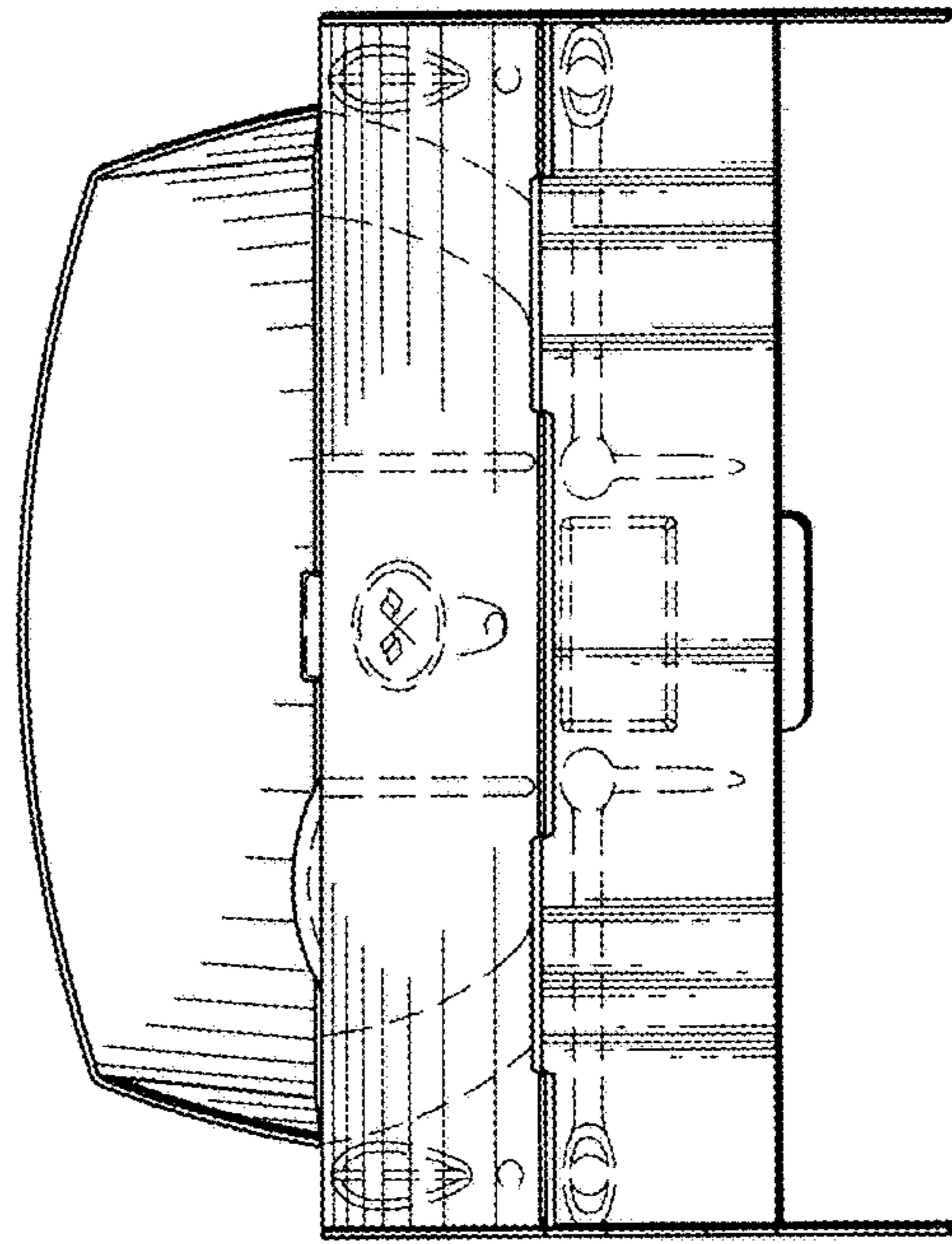
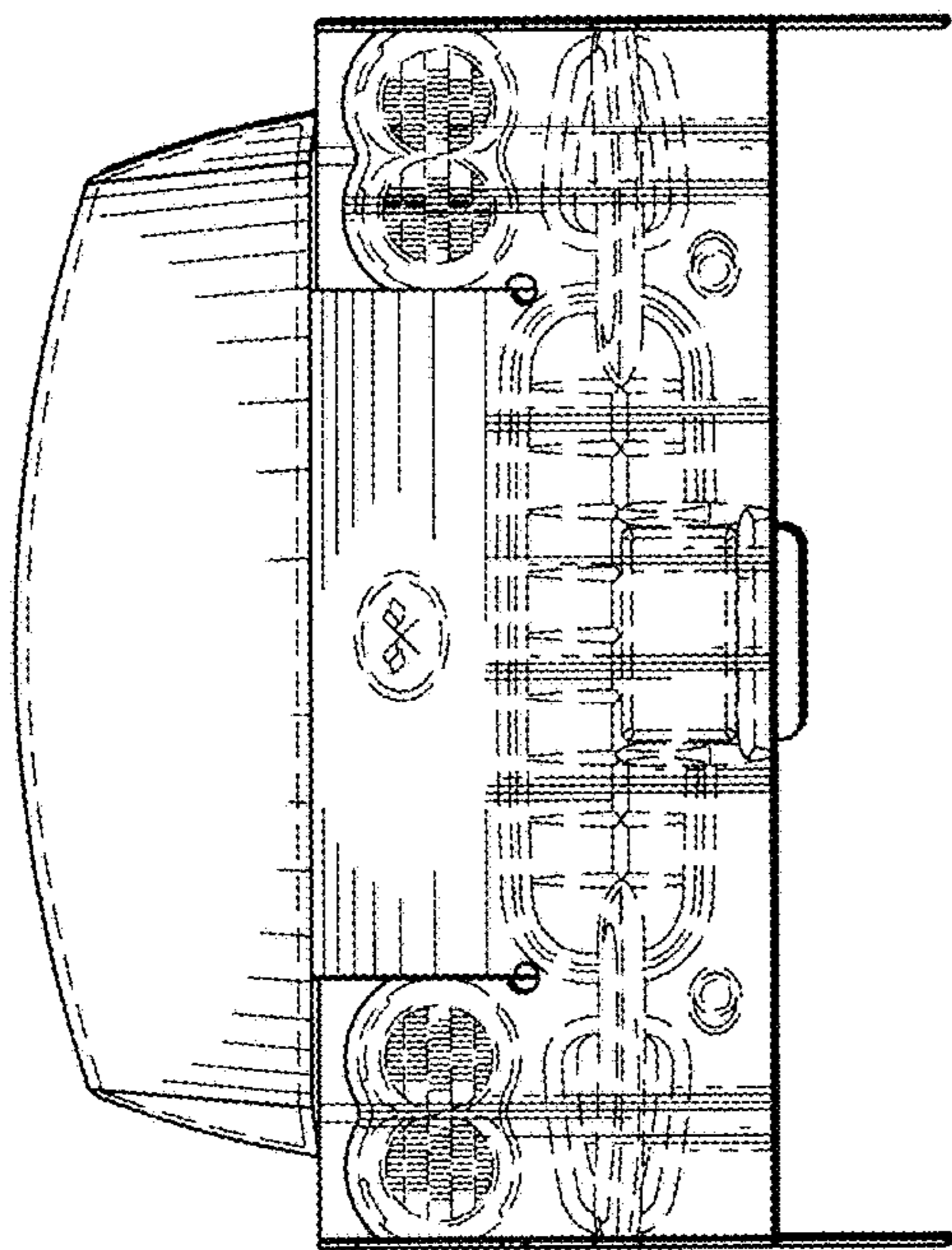
OTHER PUBLICATIONS

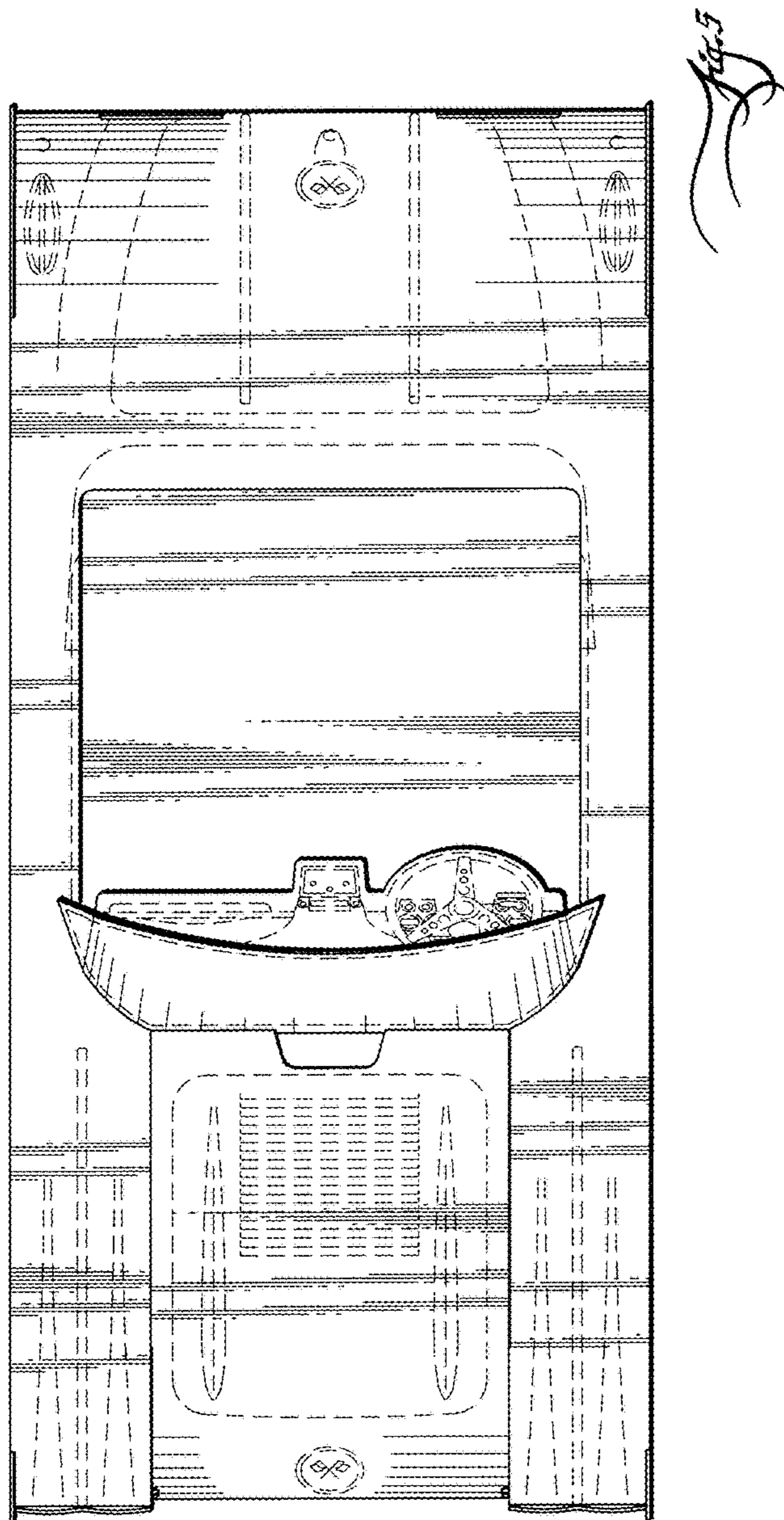
40th Anniversary Ford Mustang Classic Cruisers Carton, dated Apr.
23, 2004. www.toydirectory.com/monthly/toyshow.asp?id=94.*

* cited by examiner









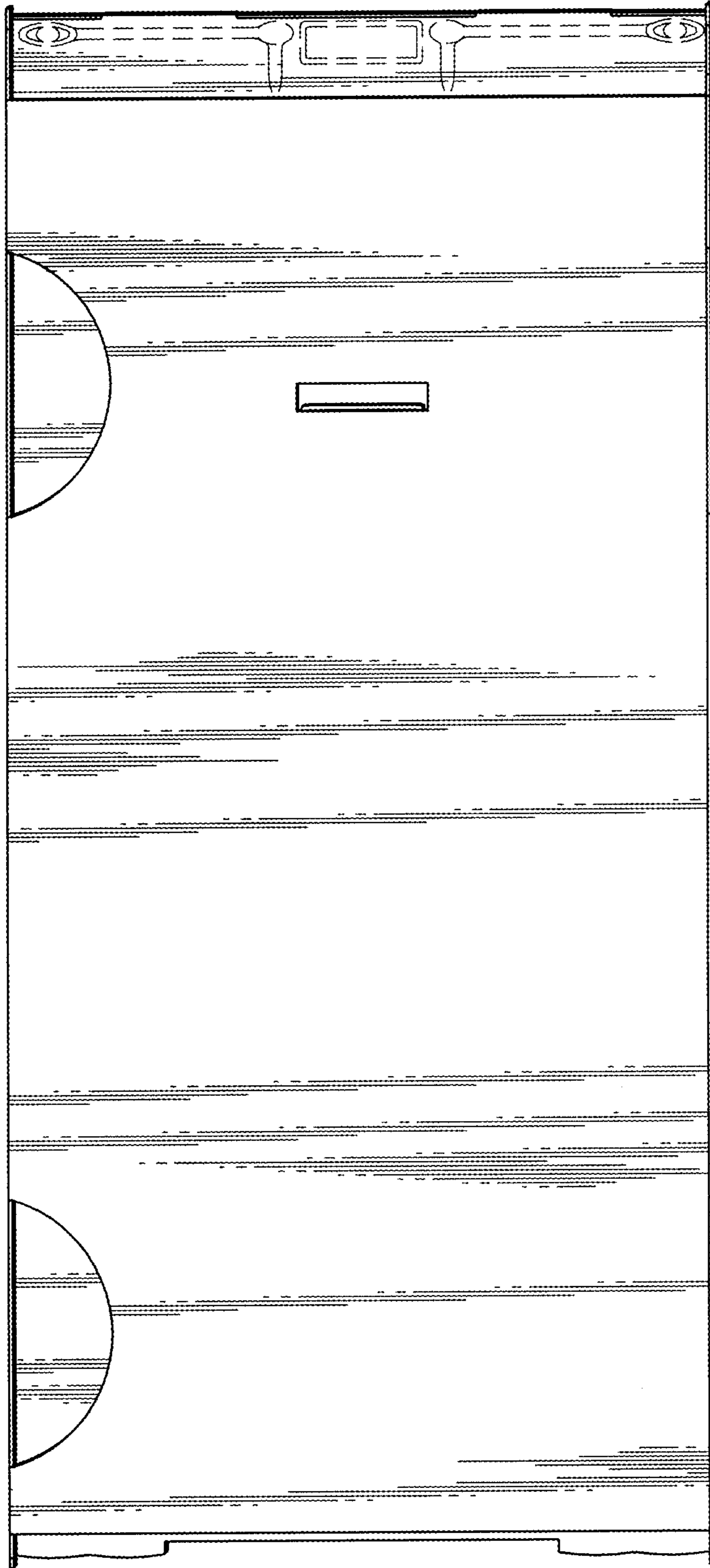


Fig. 5

Fig. 7

