



US00D792235S

(12) **United States Design Patent** (10) **Patent No.:** **US D792,235 S**  
**Billen** (45) **Date of Patent:** **\*\* Jul. 18, 2017**

(54) <b>VEHICLE CARTON</b>	4,804,133 A * 2/1989 Kiyokane ..... G09F 1/08 206/457
(71) Applicant: <b>Kid Stuff Marketing, Inc.</b> , Topeka, KS (US)	5,454,508 A * 10/1995 Billen ..... B65D 81/368 446/80
(72) Inventor: <b>William D. Billen</b> , Topeka, KS (US)	D374,175 S * 10/1996 Tesar ..... D9/675
(73) Assignee: <b>Kid Stuff Marketing, Inc.</b> , Topeka, KS (US)	5,622,256 A * 4/1997 Tesar ..... B65D 81/368 206/457
(**) Term: <b>15 Years</b>	D386,399 S * 11/1997 Stokely ..... D9/675
	D444,187 S * 6/2001 Mankowski ..... D21/548
	D531,516 S * 11/2006 Sellars ..... D3/271.11
	D534,810 S * 1/2007 Sellars ..... D9/675
	D536,260 S * 2/2007 Young ..... D9/675
	(Continued)

(21) Appl. No.: **29/556,613**

(22) Filed: **Mar. 2, 2016**

(51) **LOC (10) Cl.** ..... **09-01**

(52) **U.S. Cl.**  
USPC ..... **D9/675; D21/551**

(58) **Field of Classification Search**  
USPC .... D3/270, 271.1-271.4; D7/514-520, 599,  
D7/604, 613, 619.2, 623, 628; D9/600,  
D9/572-577, 414, 418, 430-434;  
206/457, 459.5, 527; 215/387-388,  
215/381-384, 400; 229/150, 153, 116.4;  
220/890; D21/549, 551; 446/77, 78, 80  
CPC .... B65D 5/4258; B65D 81/60; B65D 81/365;  
B65D 81/366; B65D 81/368; B65D  
2203/00; B65D 2203/02; A63H 33/16  
See application file for complete search history.

(56) **References Cited**

**U.S. PATENT DOCUMENTS**

1,547,176 A * 7/1925 Lazaron ..... A63H 33/16 446/77
1,553,793 A * 9/1925 Rozowsky ..... B65D 81/368 446/76
D214,262 S * 5/1969 Paige ..... D21/551
D219,930 S * 2/1971 Fogarty et al. .... D21/551
4,055,250 A * 10/1977 Mayhew ..... B65D 81/368 206/457
D256,670 S * 9/1980 Fish ..... D9/675
4,643,349 A * 2/1987 Sheffer ..... B65D 81/368 206/457

**OTHER PUBLICATIONS**

2007 QSR.FPI Foodservice Packaging Awaras, dated Oct. 23, 2007  
[www.slideshare.net/purdy/2007-sqrfpi-foodservice-packaging-awards](http://www.slideshare.net/purdy/2007-sqrfpi-foodservice-packaging-awards).\*

(Continued)

*Primary Examiner* — Sandra Morris  
(74) *Attorney, Agent, or Firm* — Erickson Kernell IP,  
LLC

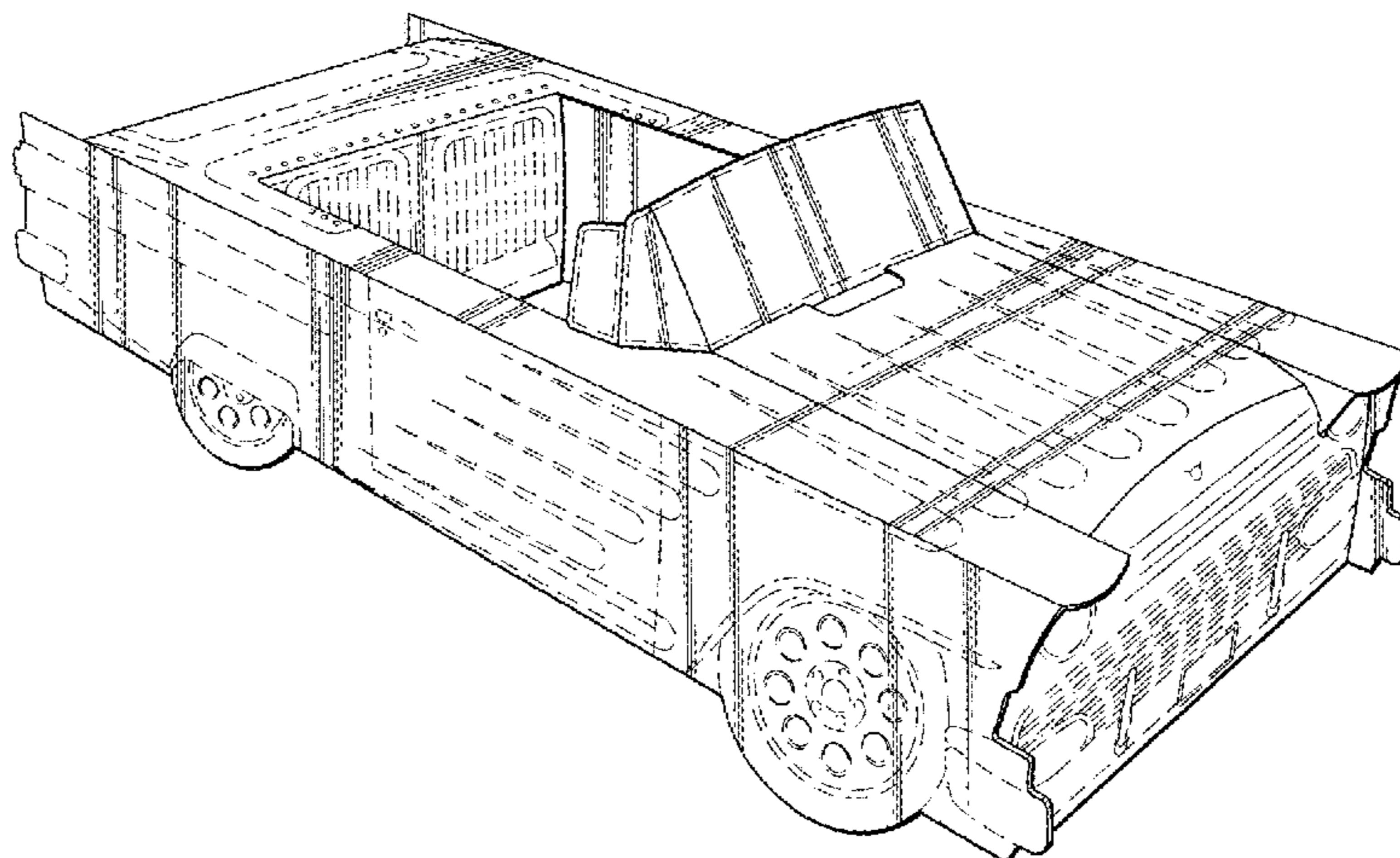
(57) **CLAIM**

The ornamental design for a vehicle carton, as shown and described.

**DESCRIPTION**

FIG. 1 is a perspective view of an ornamental design for a vehicle carton;  
FIG. 2 is a top view thereof;  
FIG. 3 is a side view thereof;  
FIG. 4 is a front end view thereof;  
FIG. 5 is a rear end view thereof;  
FIG. 6 is a bottom view thereof; and,  
FIG. 7 is a flat unfolded view of thereof.  
The broken lines in FIGS. 1-6 are for illustrative purposes only and form no part of the design. The broken lines in FIG. 7 depict fold lines.

**1 Claim, 5 Drawing Sheets**



(56)

**References Cited**

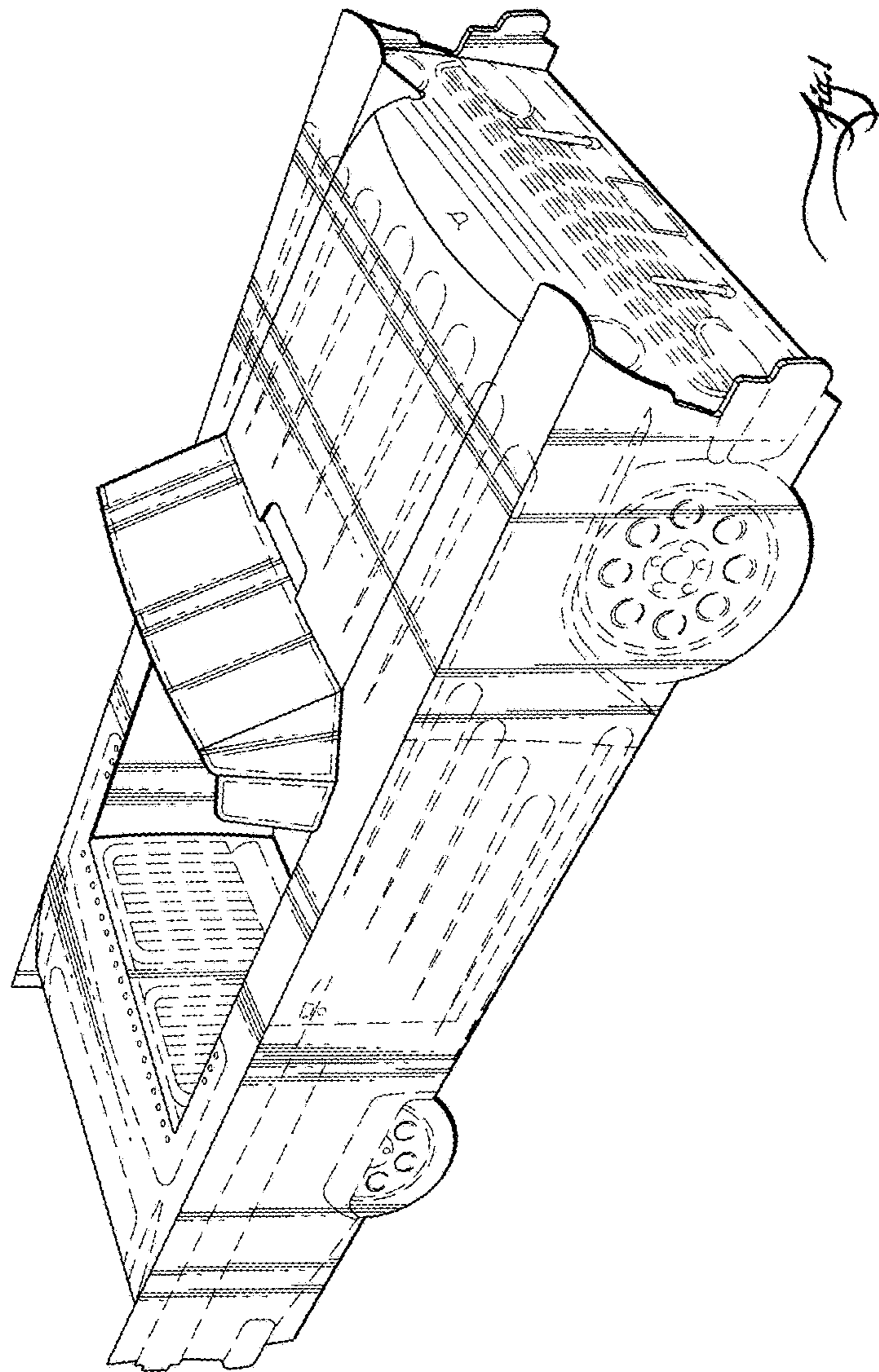
U.S. PATENT DOCUMENTS

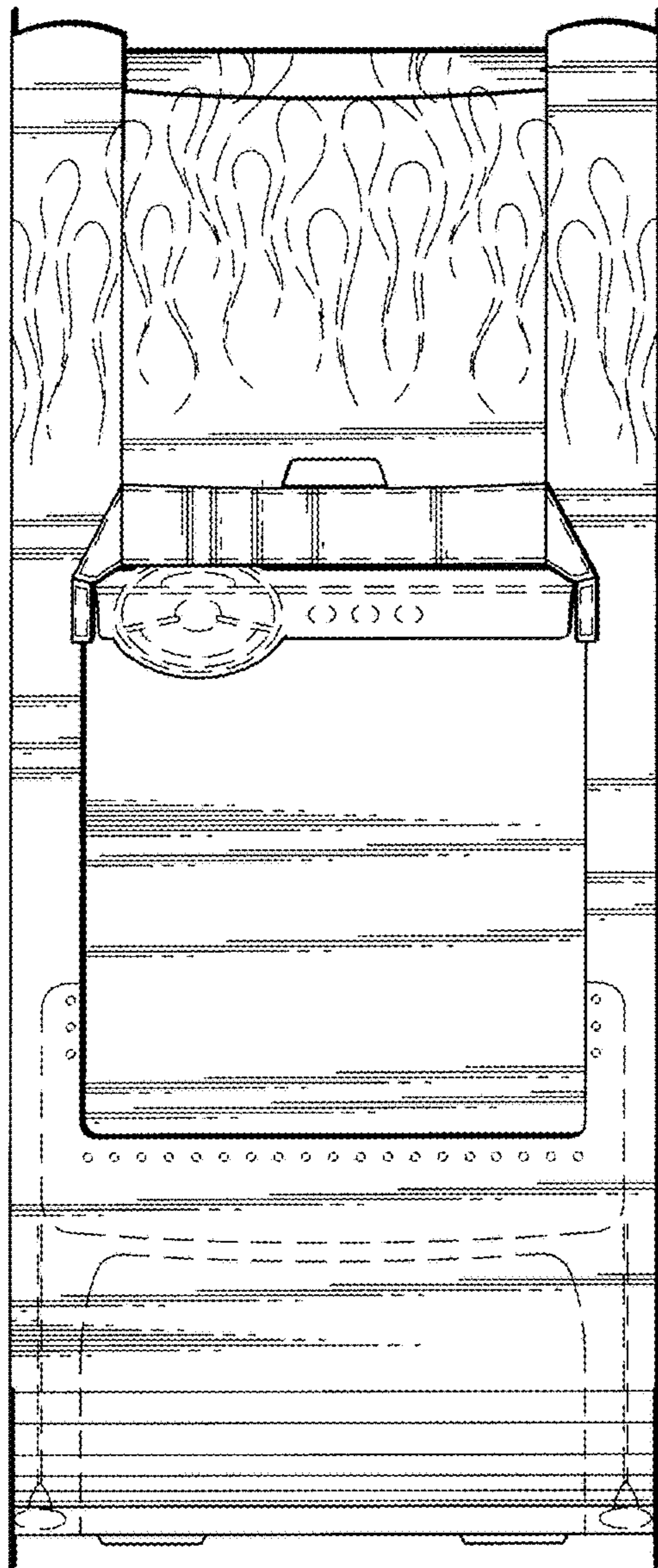
7,487,903 B2 \* 2/2009 Billen ..... A63H 33/16  
206/457  
D593,615 S \* 6/2009 Woodard ..... D21/551  
D638,305 S \* 5/2011 Brogan ..... D9/675  
8,511,537 B2 \* 8/2013 Billen ..... A63H 17/00  
206/457  
2015/0329269 A1 \* 11/2015 Billen ..... B65D 5/4266  
229/116.4

OTHER PUBLICATIONS

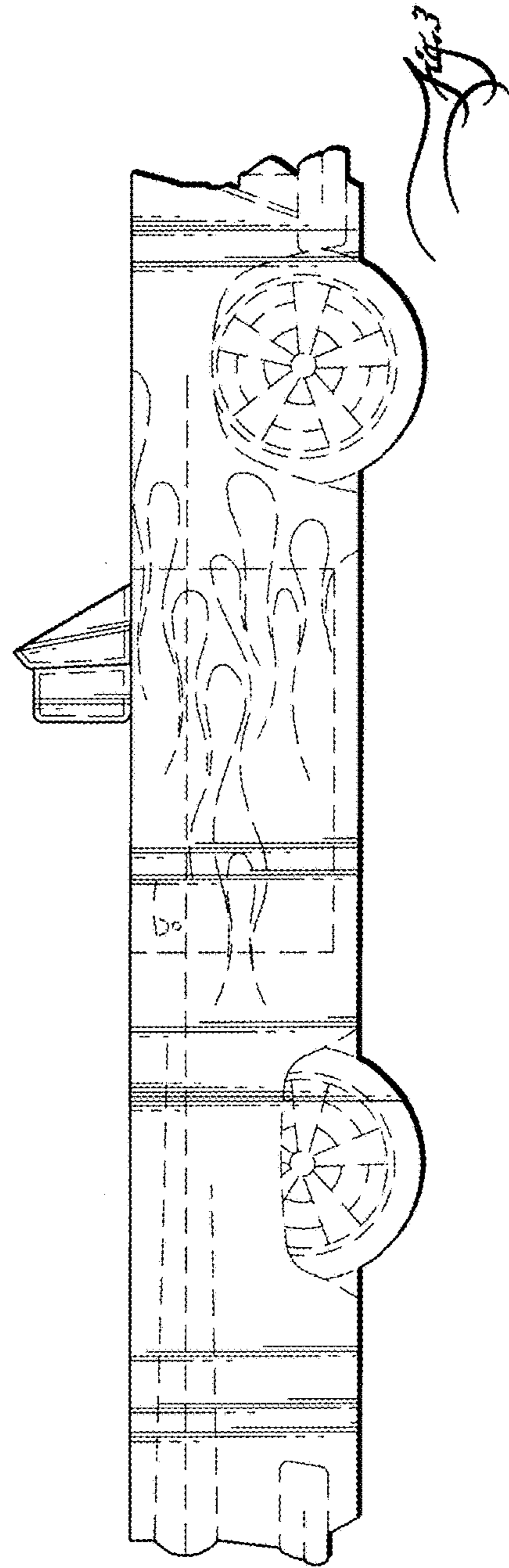
40<sup>th</sup> Anniversary Ford Mustang Classic Cruisers Carton, dated Apr.  
23, 2004. [www.toydirectory.com/monthly/toyshow.asp?id=94](http://www.toydirectory.com/monthly/toyshow.asp?id=94).\*

\* cited by examiner





*Fig. 2*



*Fig. 3*

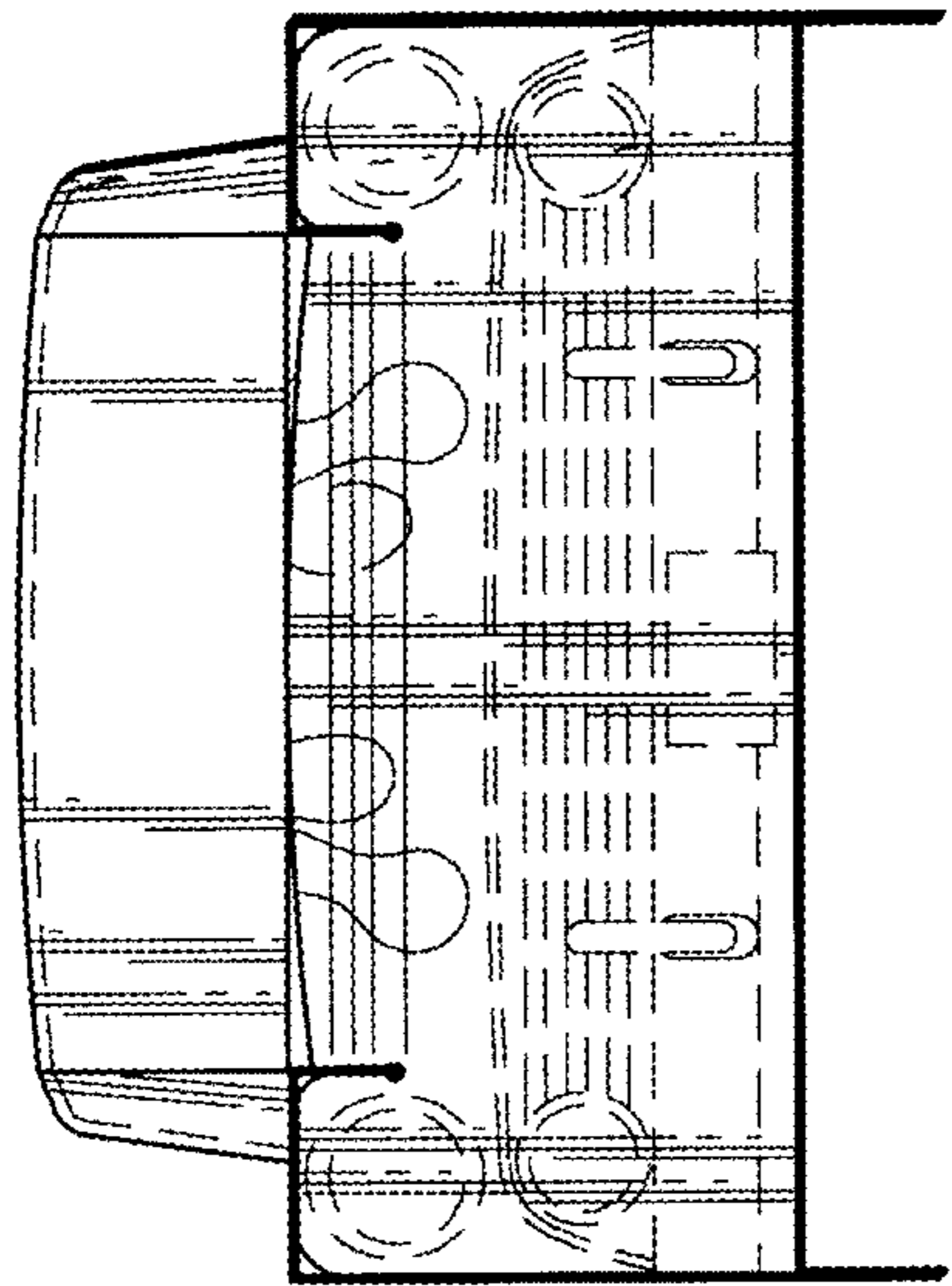


Fig. 4

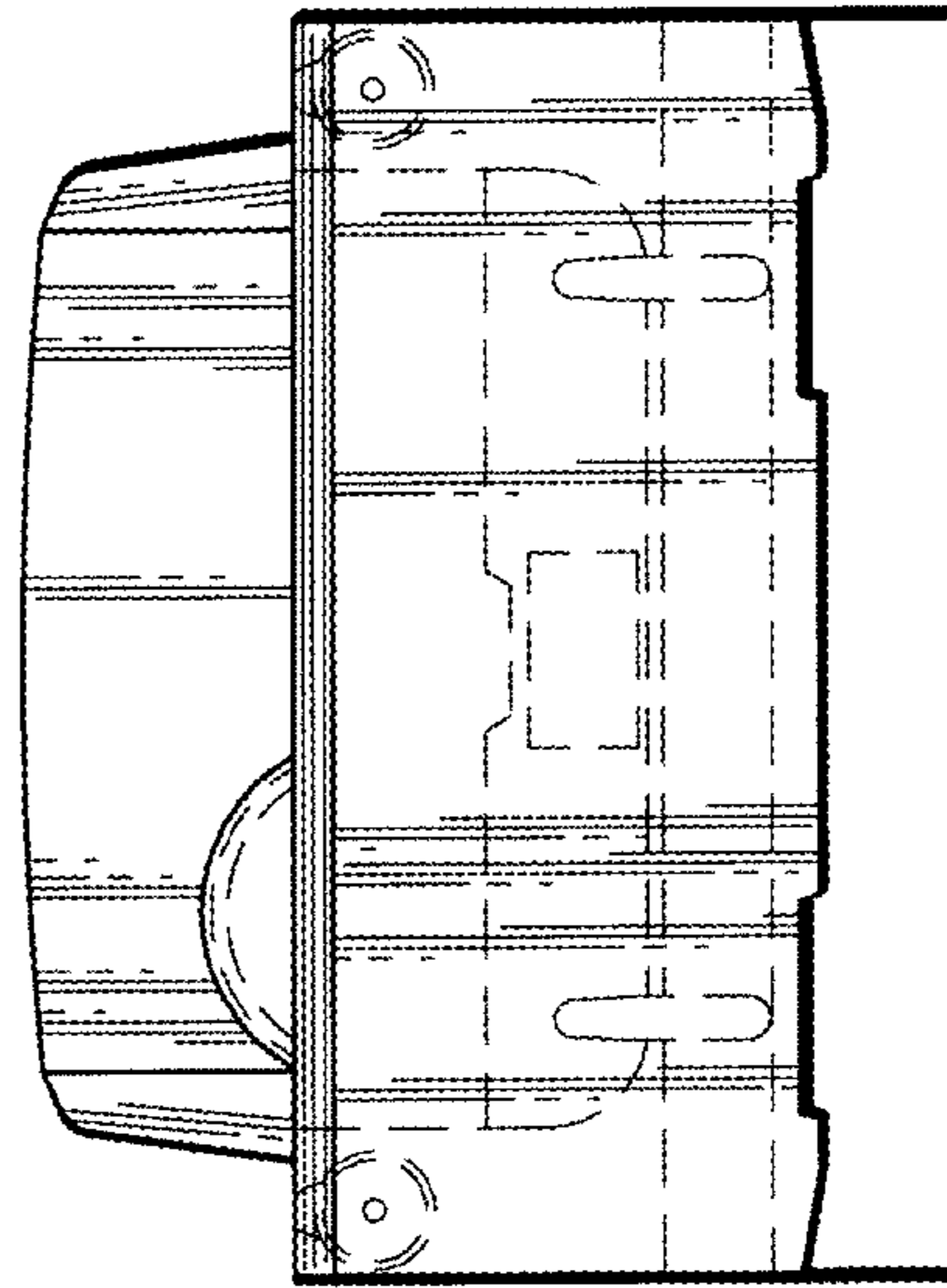
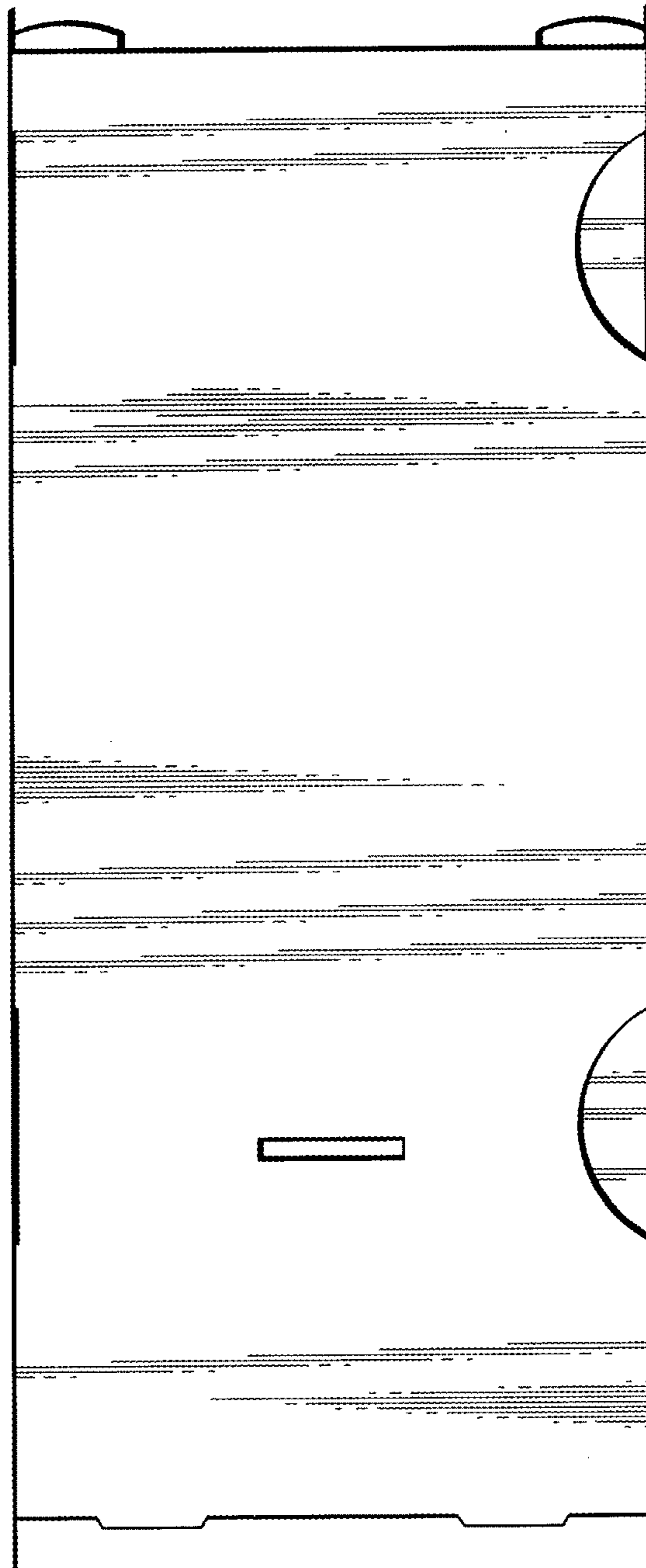


Fig. 5



*Fig. 5*

