



US00D792234S

(12) **United States Design Patent**
Varderesian

(10) **Patent No.:** **US D792,234 S**

(45) **Date of Patent:** **** Jul. 18, 2017**

(54) **POCKET FLASK**

(71) Applicant: **Valter Varderesian**, Burbank, CA (US)

(72) Inventor: **Valter Varderesian**, Burbank, CA (US)

(**) Term: **15 Years**

(21) Appl. No.: **29/547,427**

(22) Filed: **Dec. 3, 2015**

(51) **LOC (10) Cl.** **09-01**

(52) **U.S. Cl.**
USPC **D9/573; D9/454**

(58) **Field of Classification Search**

USPC D9/452, 454, 500, 516, 519, 521-522,
D9/524, 529-530, 537-543, 544-547,
D9/549, 551-554, 556-557, 559-561,
D9/564-565, 567, 571-575, 682-694;
D7/300, 300.1, 598; D28/91.1; 215/379,
215/381-384; 220/660, 662, 669, 675
CPC B65D 1/00; B65D 1/02; B65D 1/0223;
B65D 1/40; B65D 23/00; B65D
2501/0009; B65D 2501/0081; B65D
23/102

See application file for complete search history.

(56) **References Cited**

U.S. PATENT DOCUMENTS

D95,849 S * 6/1935 Leach D9/544
D259,098 S * 5/1981 Lauren D9/545
D276,503 S * 11/1984 Mansau D9/430
4,750,629 A 6/1988 Young
D319,015 S * 8/1991 Schmidt D9/454
D339,285 S * 9/1993 Burke D9/435
D365,278 S * 12/1995 Paglina D9/544
D379,766 S * 6/1997 Schneider D9/542
D386,973 S * 12/1997 Stoecker D9/542
6,082,563 A 7/2000 Kohn et al.
D466,410 S * 12/2002 De Baschmakoff D9/516

6,997,337 B1 2/2006 Wurster
D553,004 S * 10/2007 Krakoff D9/694
D589,814 S * 4/2009 Holzner D9/529
D597,845 S * 8/2009 Brady D9/541
D597,846 S * 8/2009 Brady D9/542
D601,032 S * 9/2009 Rica D9/544
D609,574 S * 2/2010 Holmes D9/542
D738,739 S * 9/2015 Chertoff D9/573
D744,849 S * 12/2015 Wilps D9/542
D764,928 S * 8/2016 Staab D9/694

FOREIGN PATENT DOCUMENTS

CN 302627901 * 11/2013
CN 302693162 * 12/2013
CN 302724532 * 1/2014
WO D063046-001 * 3/2003

* cited by examiner

Primary Examiner — Catherine Tuttle

Assistant Examiner — Mary Malley

(74) *Attorney, Agent, or Firm* — Stevenson IP, LLC

(57) **CLAIM**

The ornamental design for a pocket flask, as shown and described.

DESCRIPTION

FIG. 1 is a front elevation view of a pocket flask showing my new design, the opposite side being a mirror image of the shown;

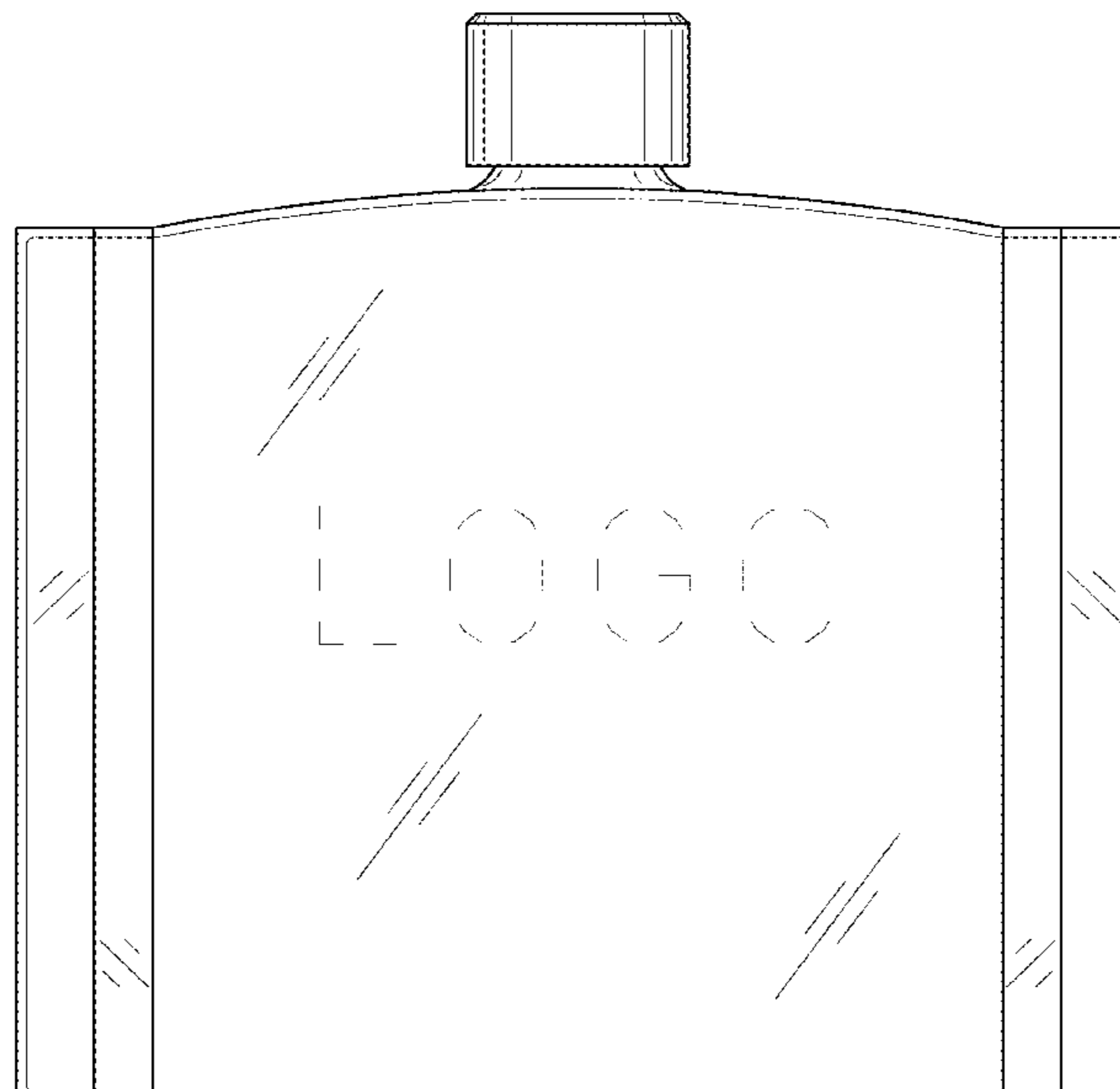
FIG. 2 is a right side elevation view thereof, the opposite side being a mirror image of the shown;

FIG. 3 is a top plan view thereof; and,

FIG. 4 is a bottom plan view thereof.

The broken lines in FIG. 1 of the drawings depict environmental subject matter only and form no part of the claimed design.

1 Claim, 3 Drawing Sheets



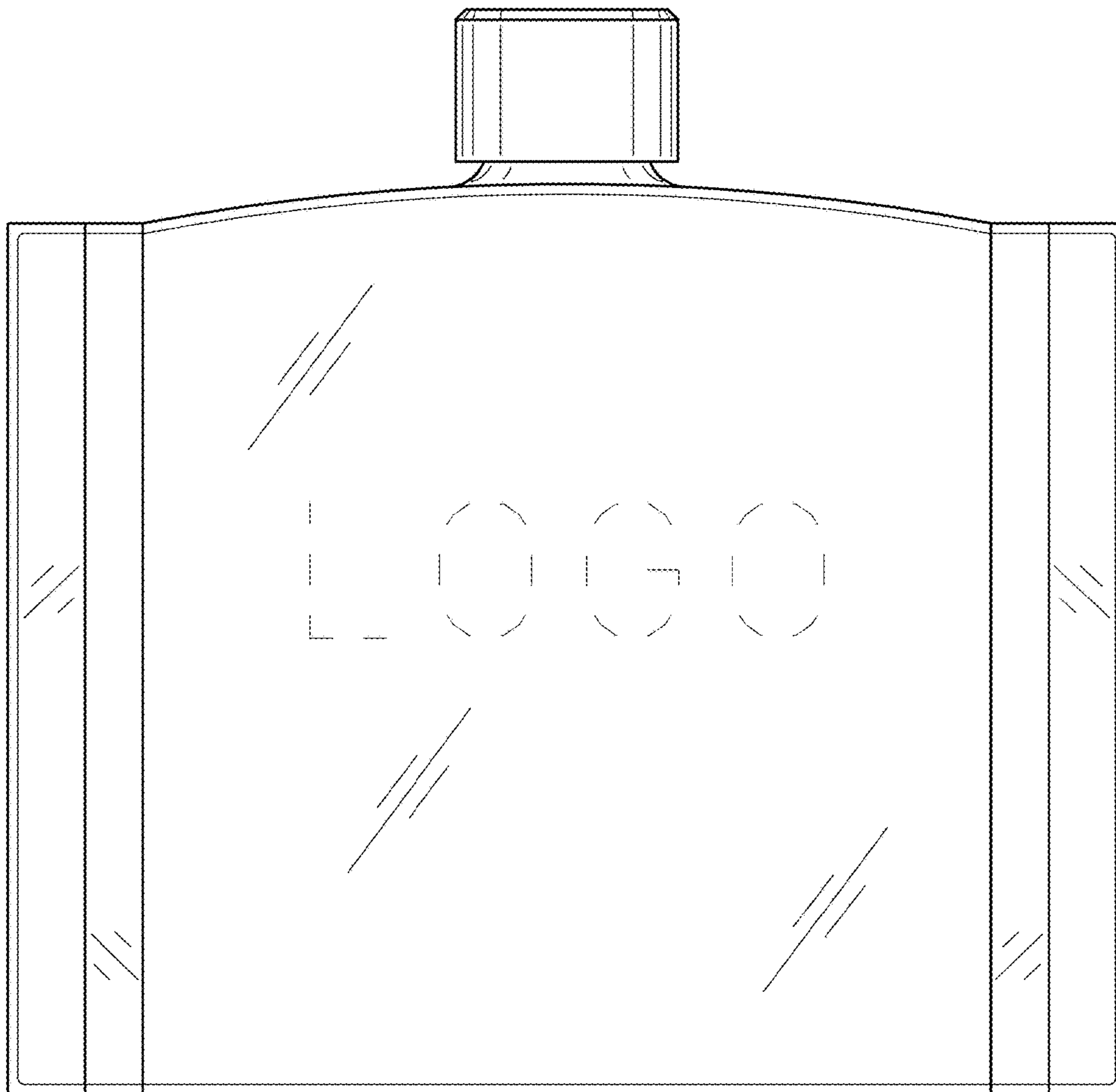


FIG. 1

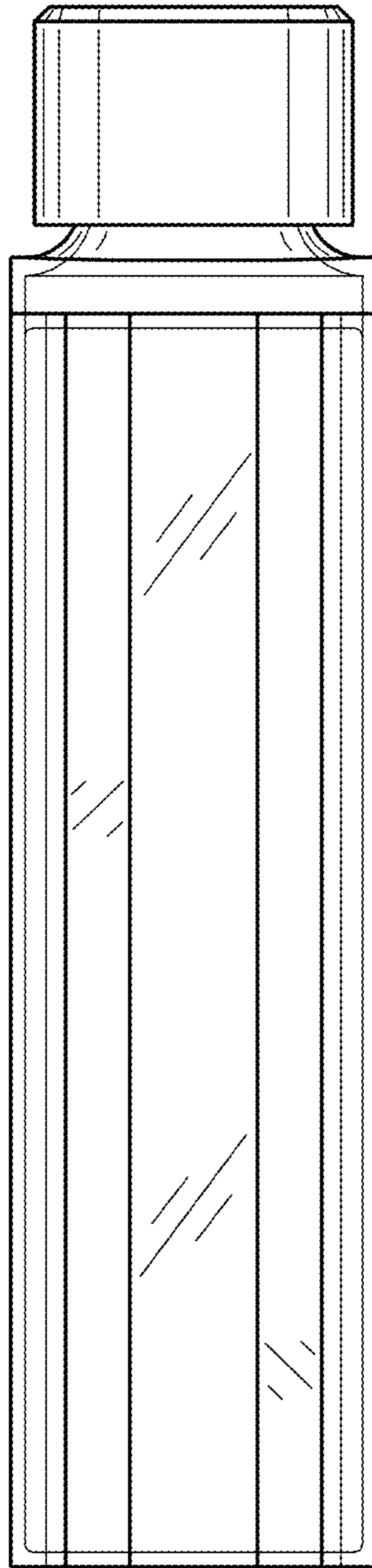


FIG. 2

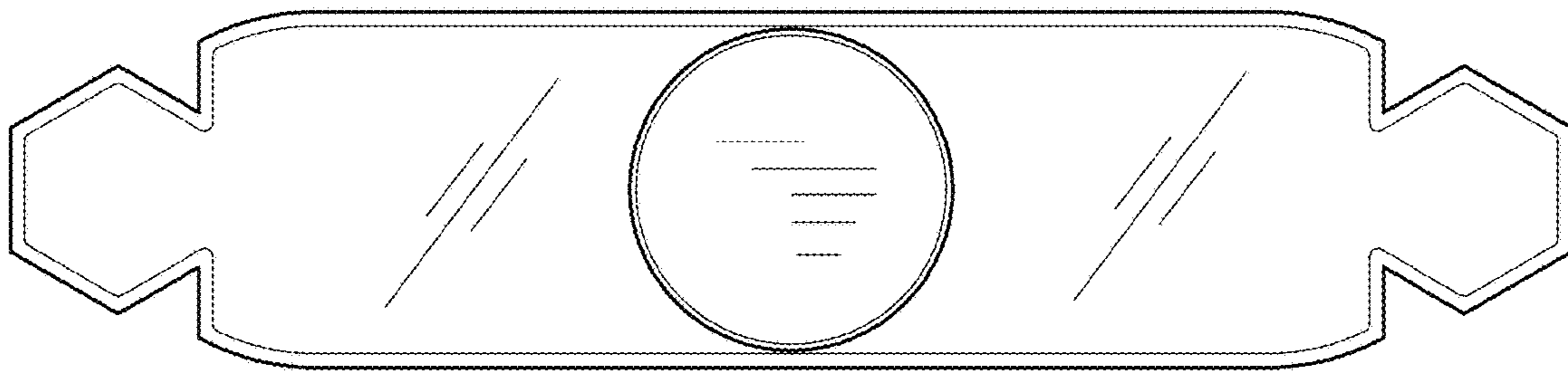


FIG. 3

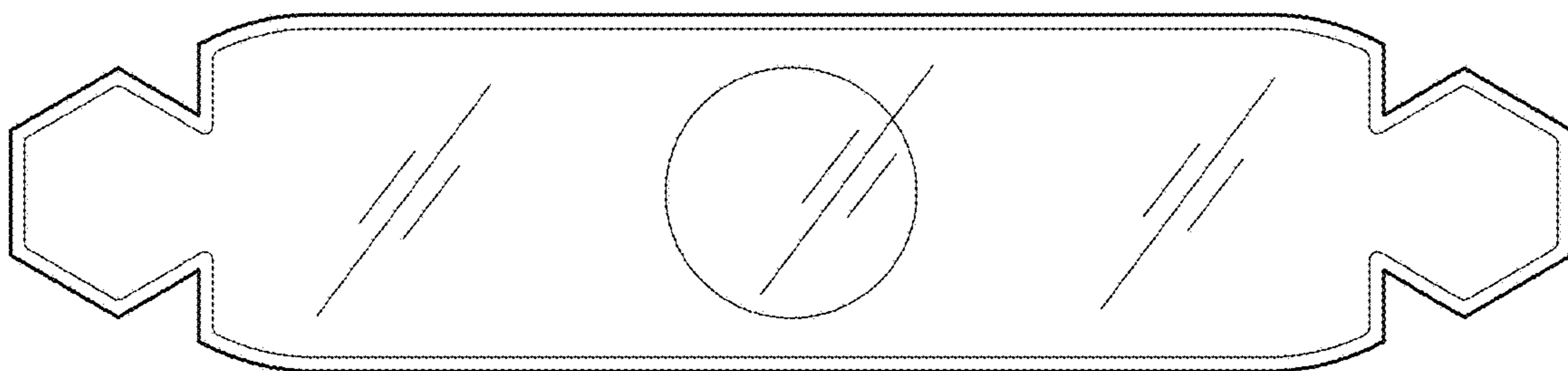


FIG. 4