



US00D792229S

(12) **United States Design Patent**
Steward

(10) **Patent No.:** **US D792,229 S**

(45) **Date of Patent:** **** *Jul. 18, 2017**

(54) **BOTTLE**

FOREIGN PATENT DOCUMENTS

(71) Applicant: **The Coca-Cola Company**, Atlanta, GA (US)

EM 001689282-0001 * 3/2010
FR 024078-0001 * 7/2002

(72) Inventor: **Sterling Lane Steward**, Douglasville, GA (US)

Primary Examiner — Dana L Meyrow

(74) *Attorney, Agent, or Firm* — Parks Wood LLC; Collen A. Beard

(73) Assignee: **The Coca-Cola Company**, Atlanta, GA (US)

(*) Notice: This patent is subject to a terminal disclaimer.

(57) **CLAIM**

I claim the ornamental design for a bottle, as shown and described.

(**) Term: **14 Years**

DESCRIPTION

(21) Appl. No.: **29/498,340**

(22) Filed: **Aug. 1, 2014**

(51) **LOC (10) Cl.** **09-01**

(52) **U.S. Cl.**
USPC **D9/538; D9/500; D9/520; D9/539; D9/551**

(58) **Field of Classification Search**

USPC D9/500, 502–505, 516, 520, 530, D9/537–545, 548–550, 558, 715, 719; 215/11.1, 370–371, 375, 379, 381–384; 220/660, 669, 675

CPC B65D 1/00; B65D 1/02; B65D 1/0223; B65D 1/0284; B65D 23/00; B65D 23/001; B65D 83/00; B65D 91/00; B65D 91/02; B65D 2501/00; B65D 2501/0009

See application file for complete search history.

FIG. 1 is a top perspective view of a first embodiment of a bottle in accordance with my new design;
FIG. 2 is a right view thereof;
FIG. 3 is a left view thereof;
FIG. 4 is a front view thereof;
FIG. 5 is a rear view thereof;
FIG. 6 is a top view thereof;
FIG. 7 is a top perspective view of a second embodiment of a bottle in accordance with my new design;
FIG. 8 is a right view thereof;
FIG. 9 is a left view thereof;
FIG. 10 is a front view thereof;
FIG. 11 is a rear view thereof;
FIG. 12 is a top view thereof;
FIG. 13 is a top perspective view of a third embodiment of a bottle in accordance with my new design;
FIG. 14 is a right view thereof;
FIG. 15 is a left view thereof;
FIG. 16 is a front view thereof;
FIG. 17 is a rear view thereof; and,
FIG. 18 is a top view thereof.

The uneven-length broken lines represent unclaimed boundaries of the claimed design. The even-length broken lines showing the remainder of the bottle are for environmental purposes only and form no part of the claimed design.

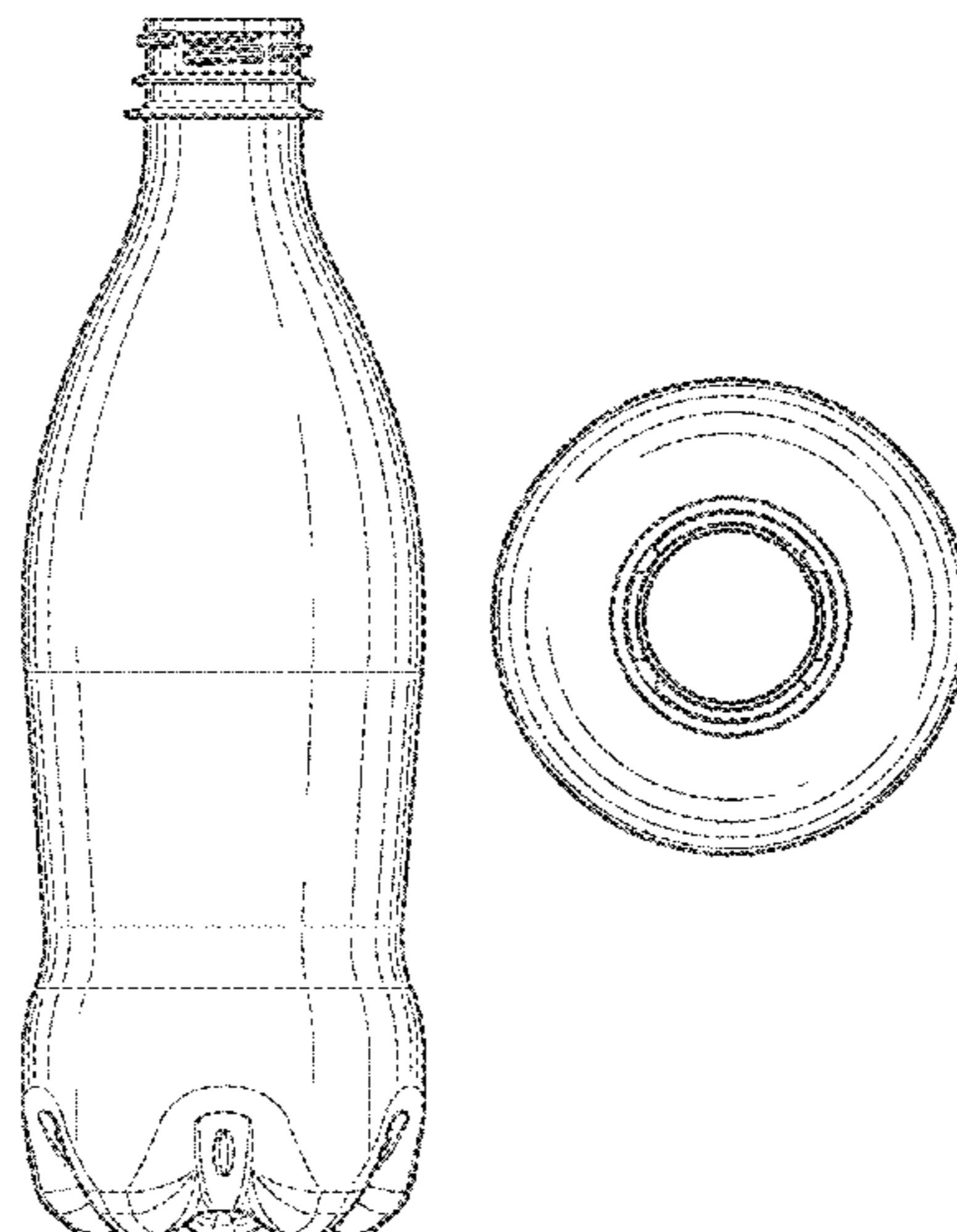
(56) **References Cited**

U.S. PATENT DOCUMENTS

3,823,032 A * 7/1974 Ukai 215/12.2
3,871,541 A * 3/1975 Adomaitis 215/375
4,065,589 A * 12/1977 Lenard et al. 428/34.7
D383,677 S * 9/1997 Darr D9/520
D462,620 S * 9/2002 Ashby D9/550
6,467,620 B1 * 10/2002 Heckman et al. 206/459.5

(Continued)

1 Claim, 12 Drawing Sheets



(56)

References Cited

U.S. PATENT DOCUMENTS

D572,134 S *	7/2008	Bourne	D9/500
D582,775 S *	12/2008	Pedmo et al.	D9/516
D587,120 S *	2/2009	Meillerais	D9/520
D639,659 S *	6/2011	Biondich et al.	D9/500
D708,522 S *	7/2014	Santamaria et al.	D9/500
D710,206 S *	8/2014	Rajesh et al.	D9/538
D723,371 S *	3/2015	Laib et al.	D9/500

* cited by examiner

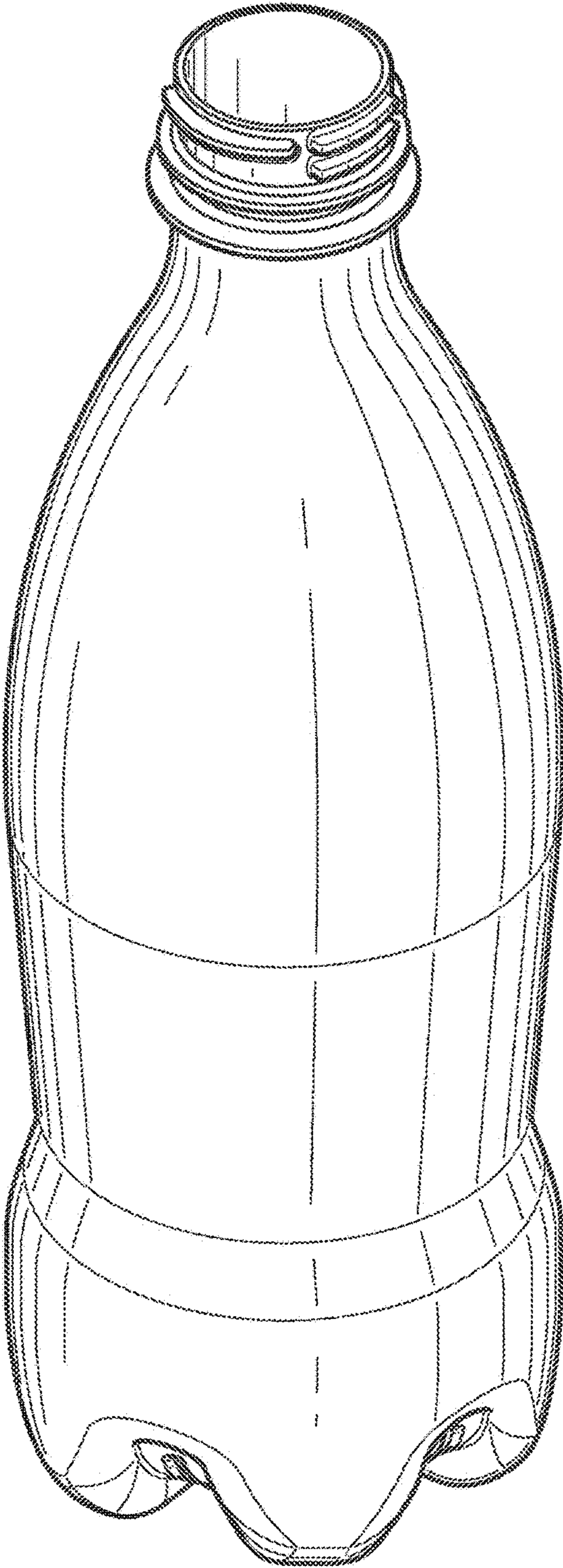


FIG. 1

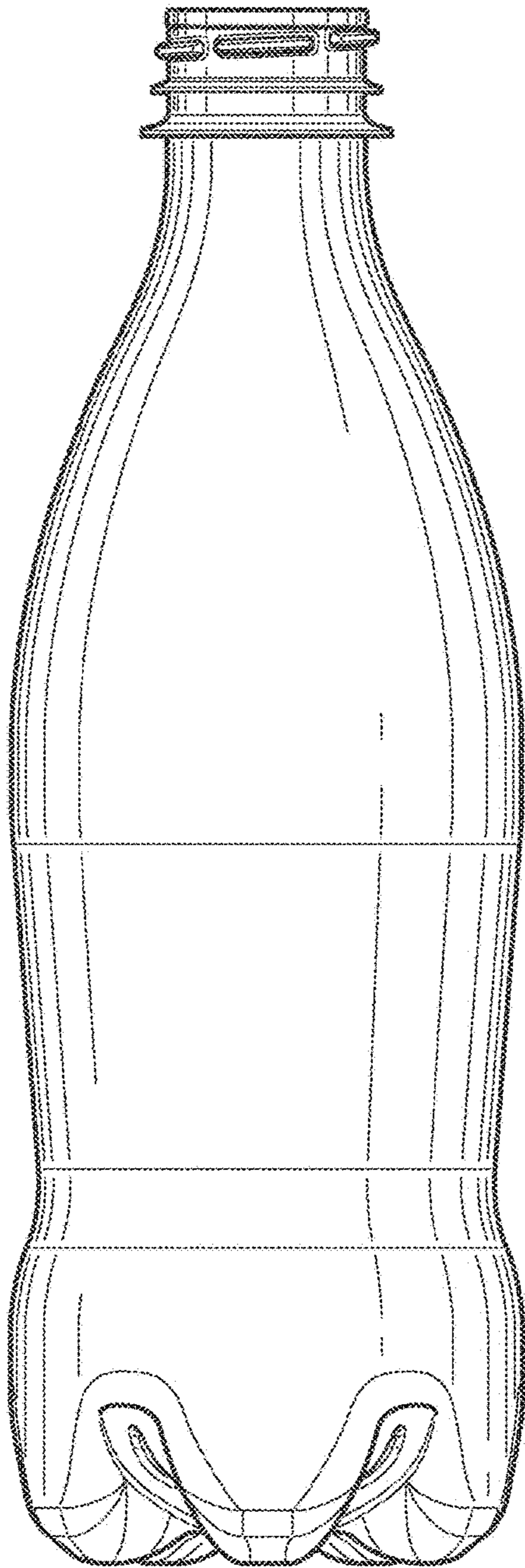


FIG. 2

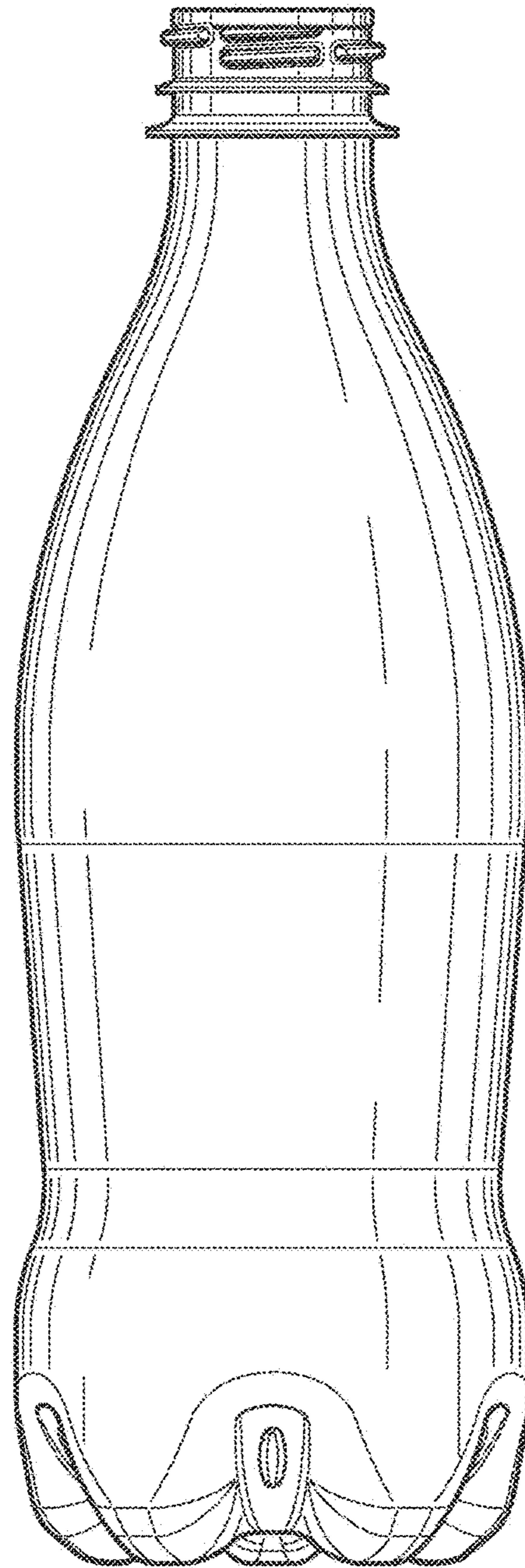


FIG. 3

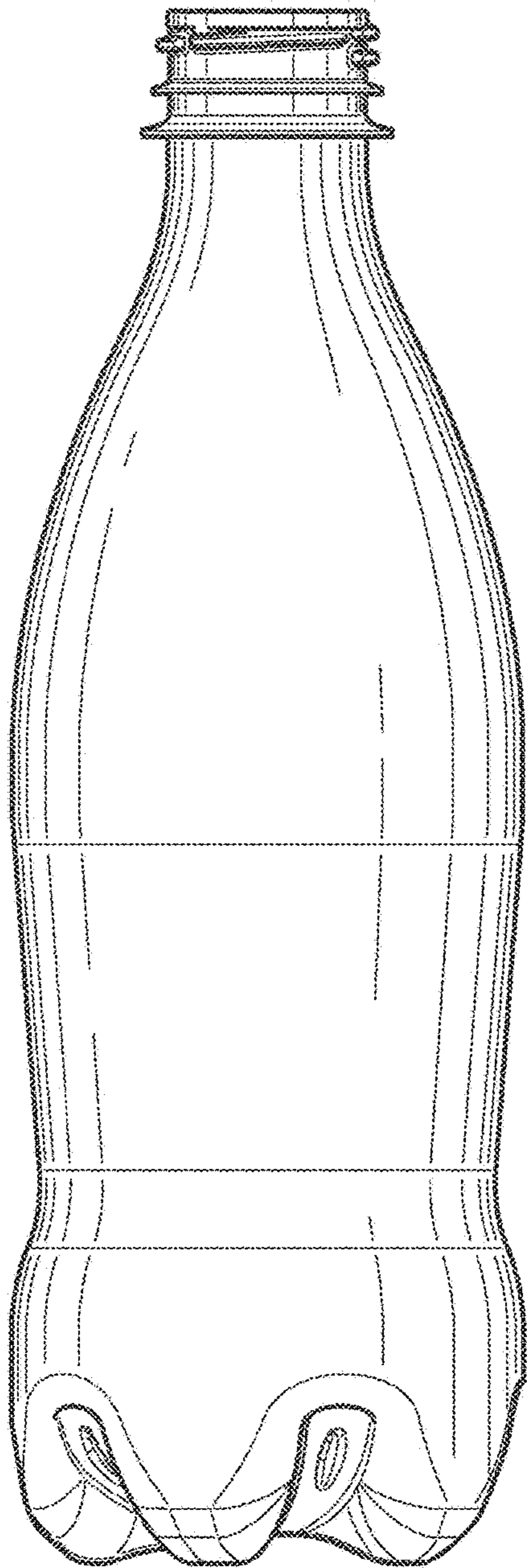


FIG. 4

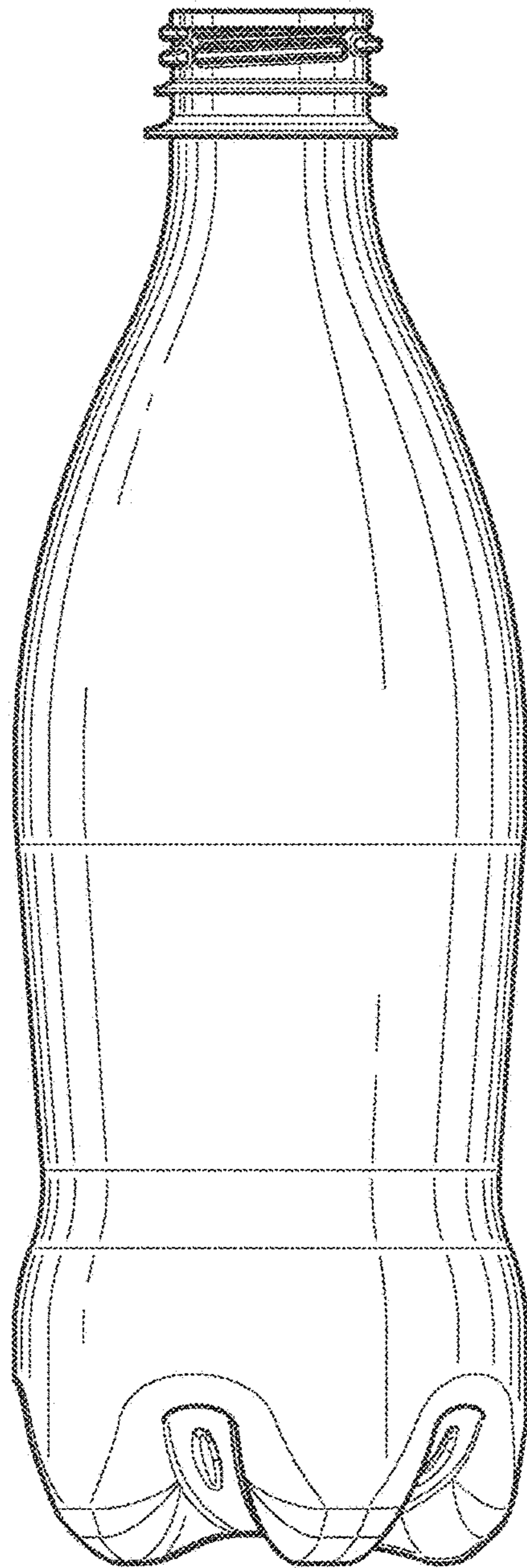


FIG. 5

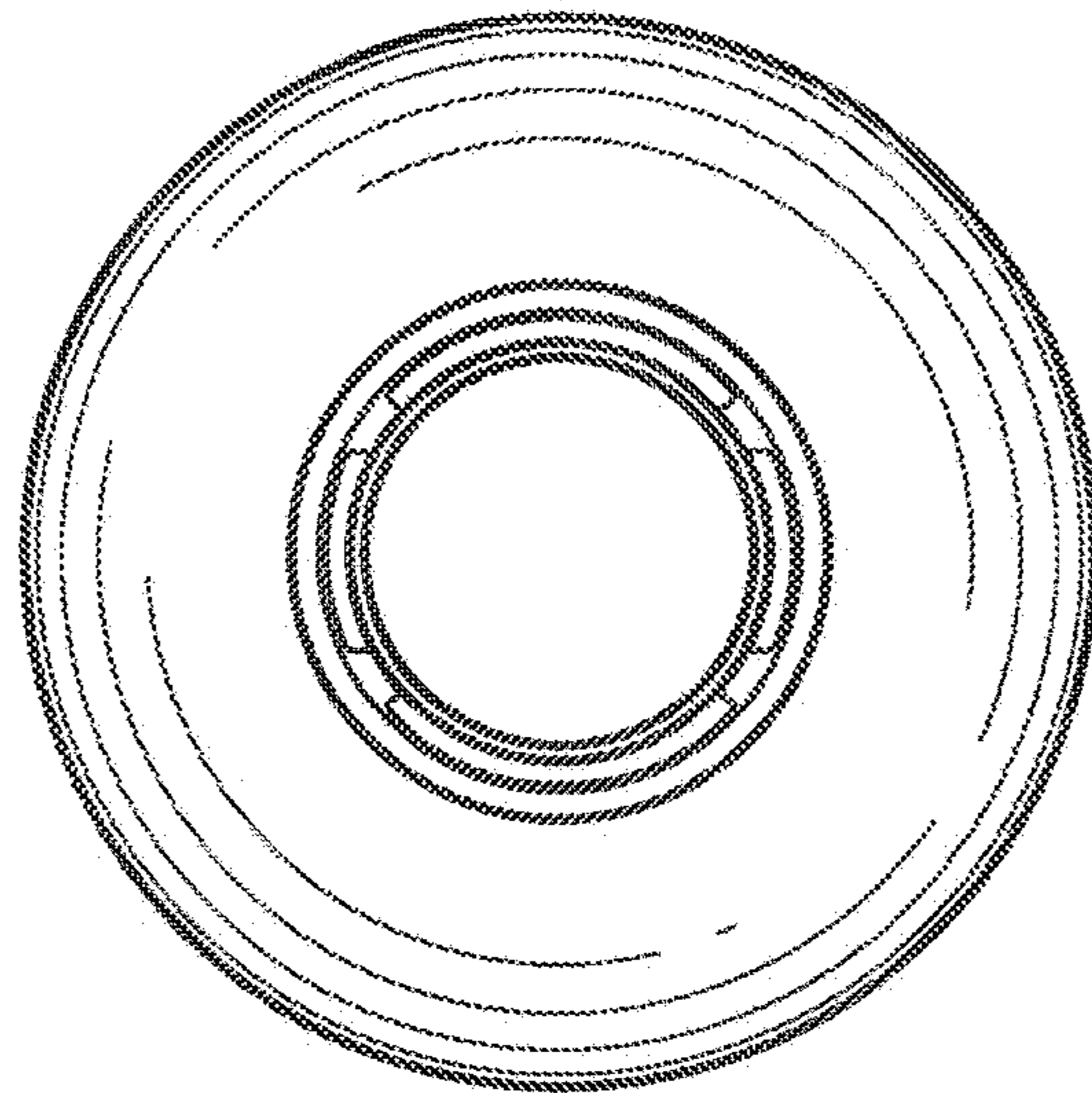


FIG. 6

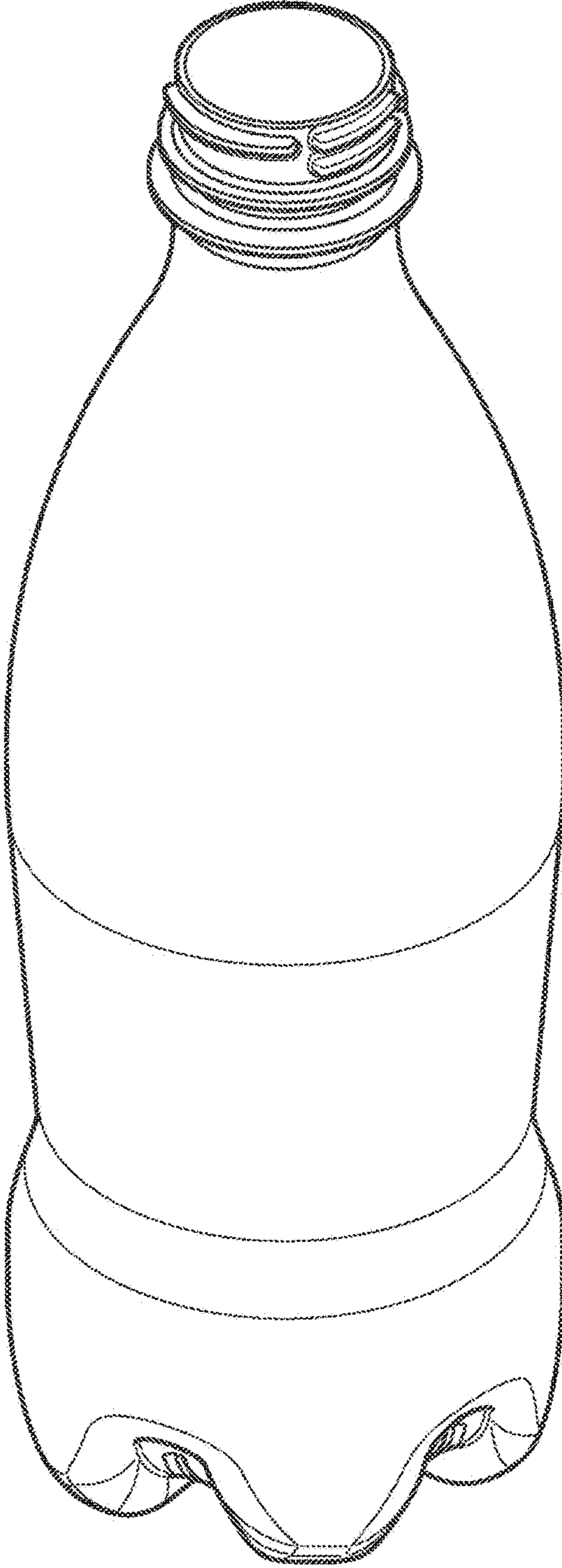


FIG. 7

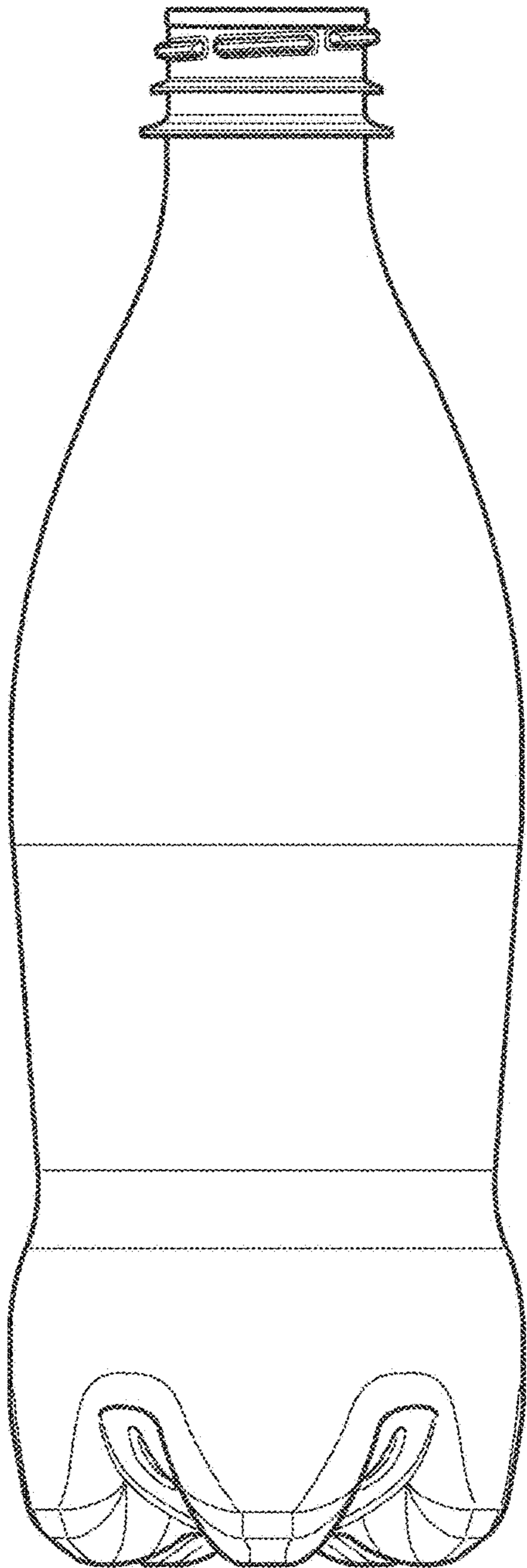


FIG. 8

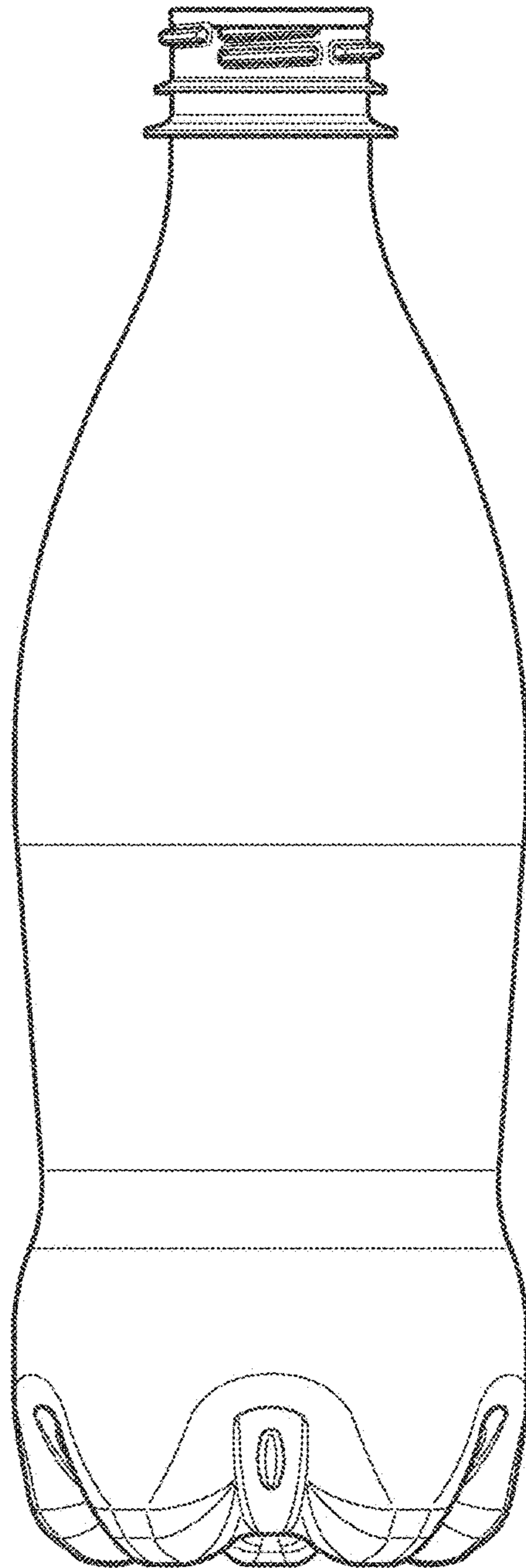


FIG. 9

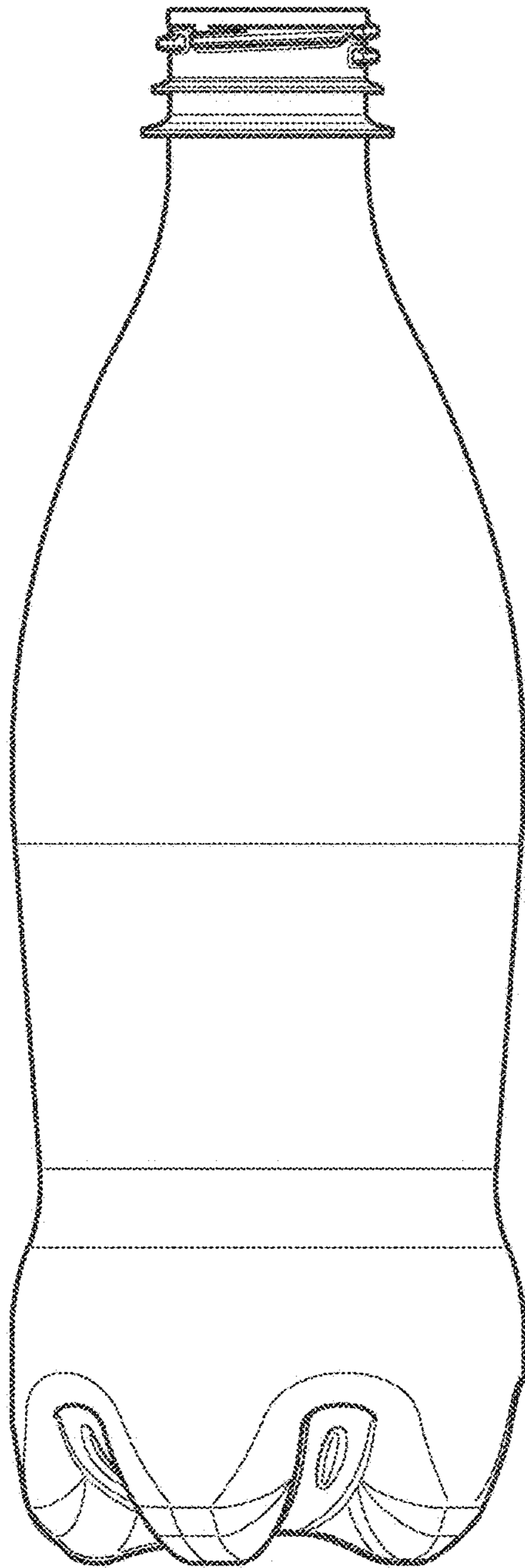


FIG. 10

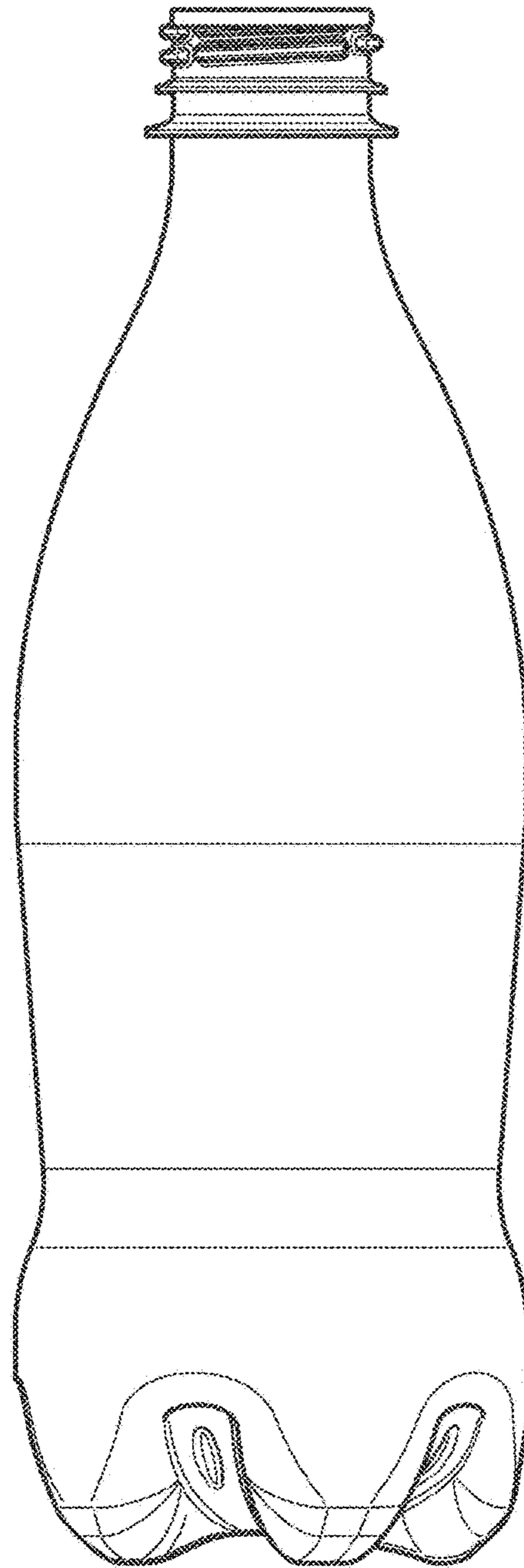


FIG. 11

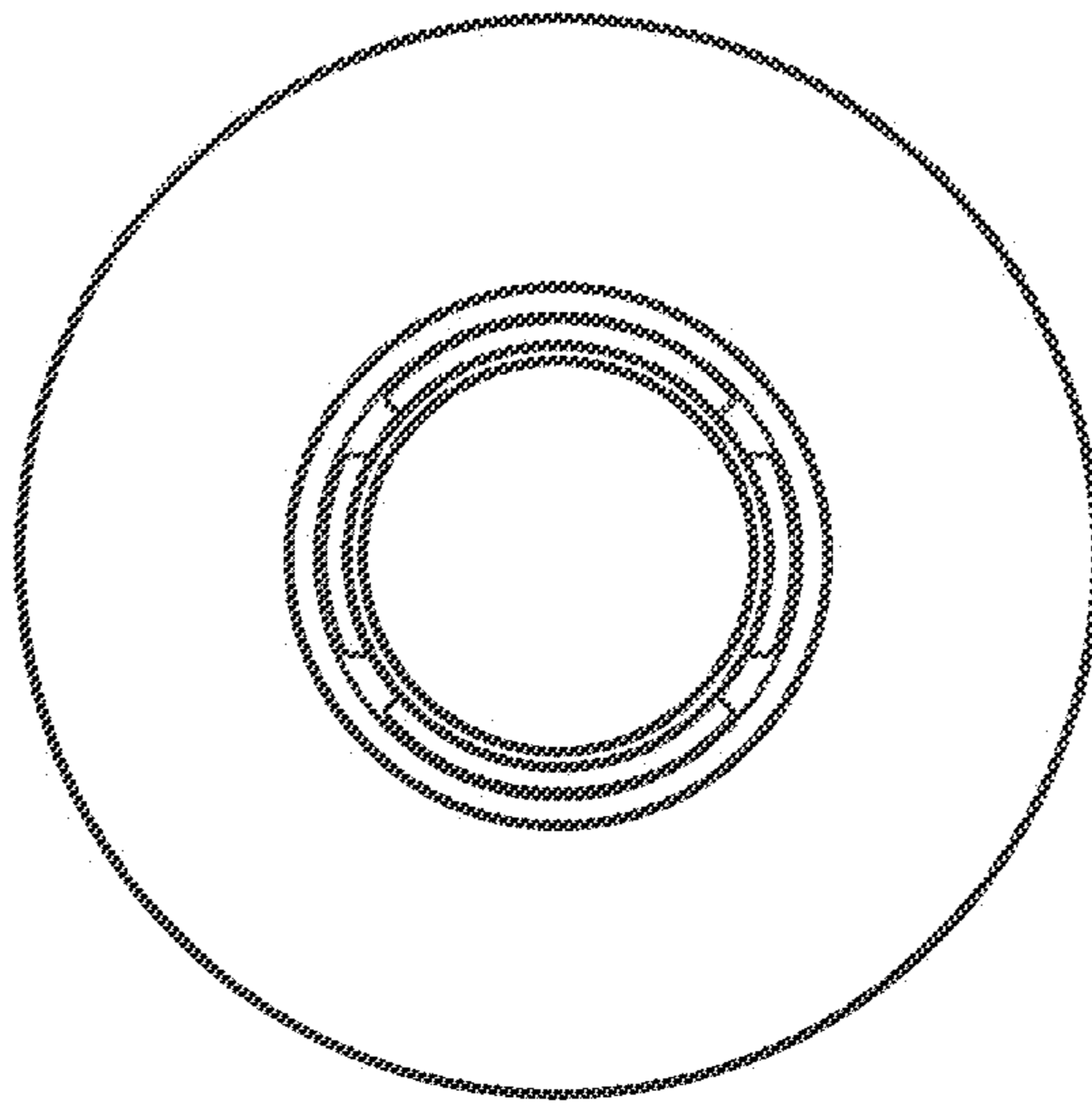


FIG. 12

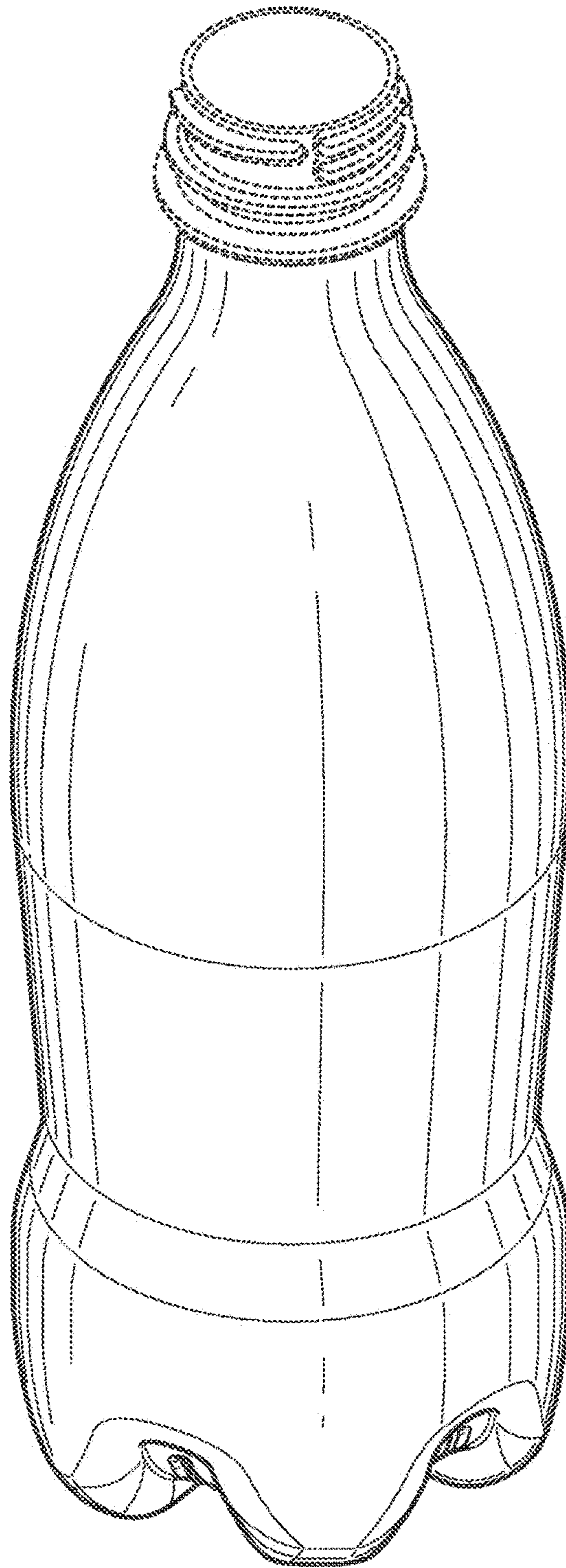


FIG. 13

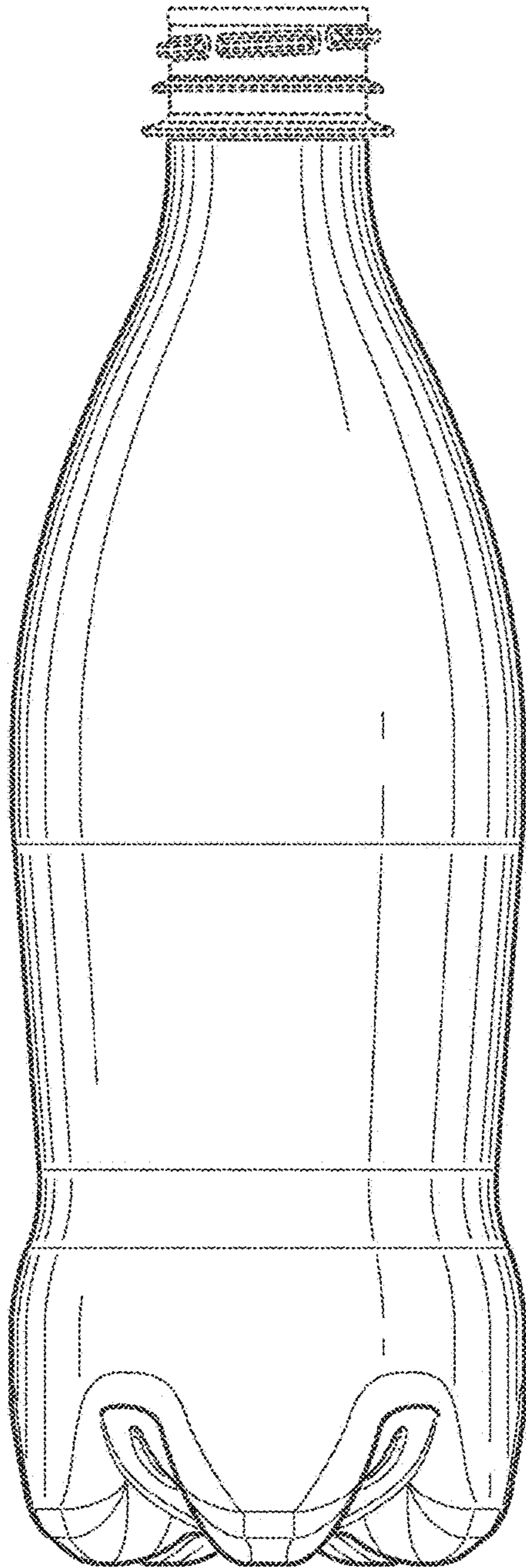


FIG. 14

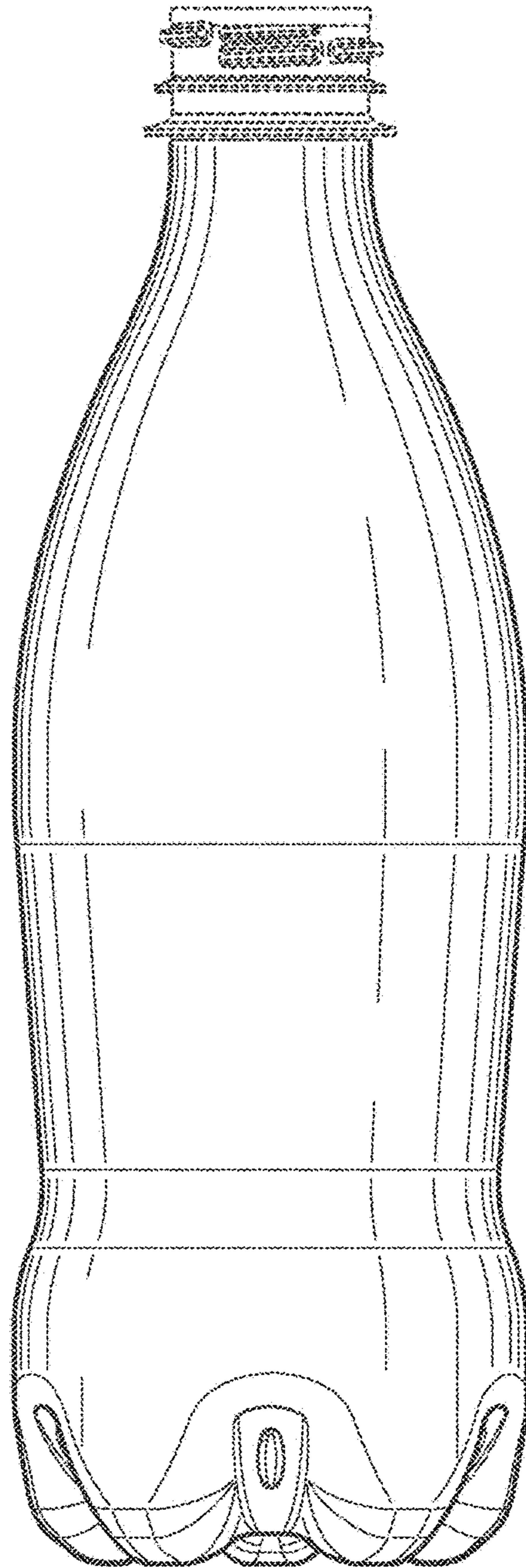


FIG. 15

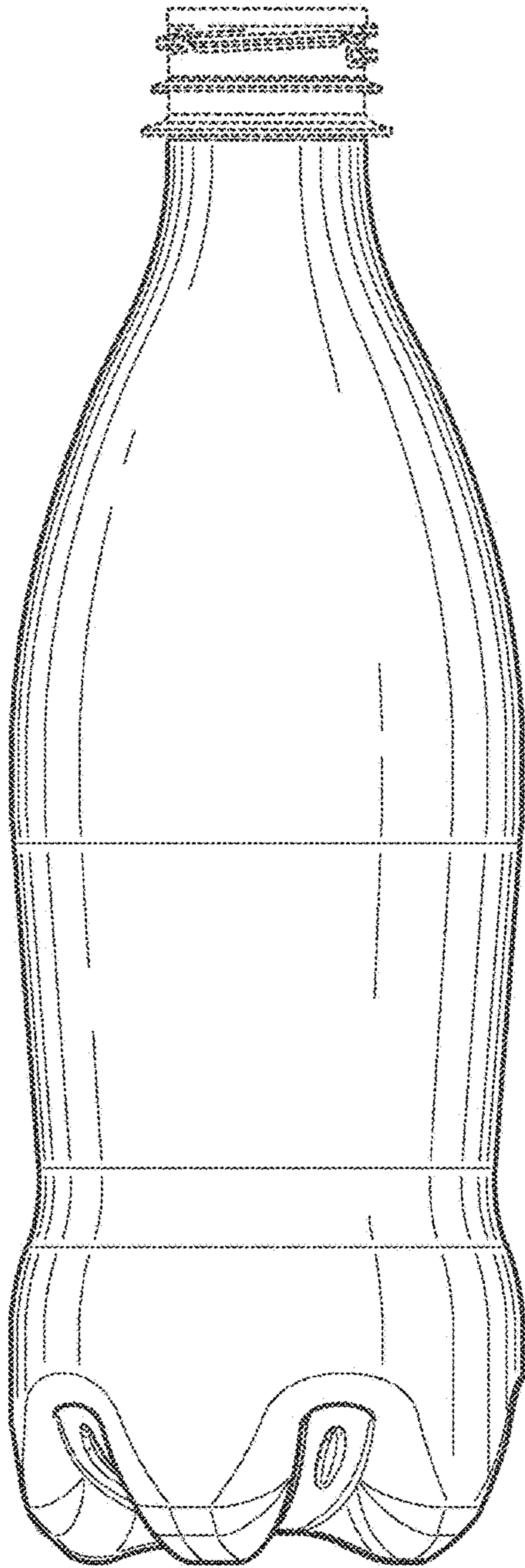


FIG. 16

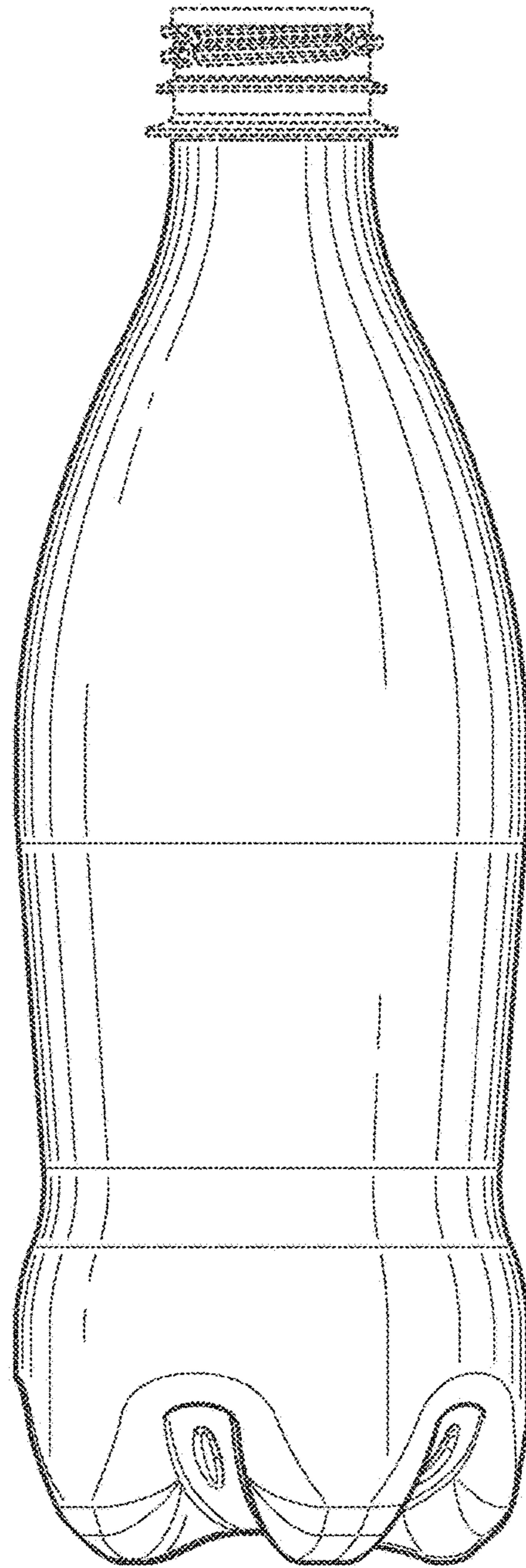


FIG. 17

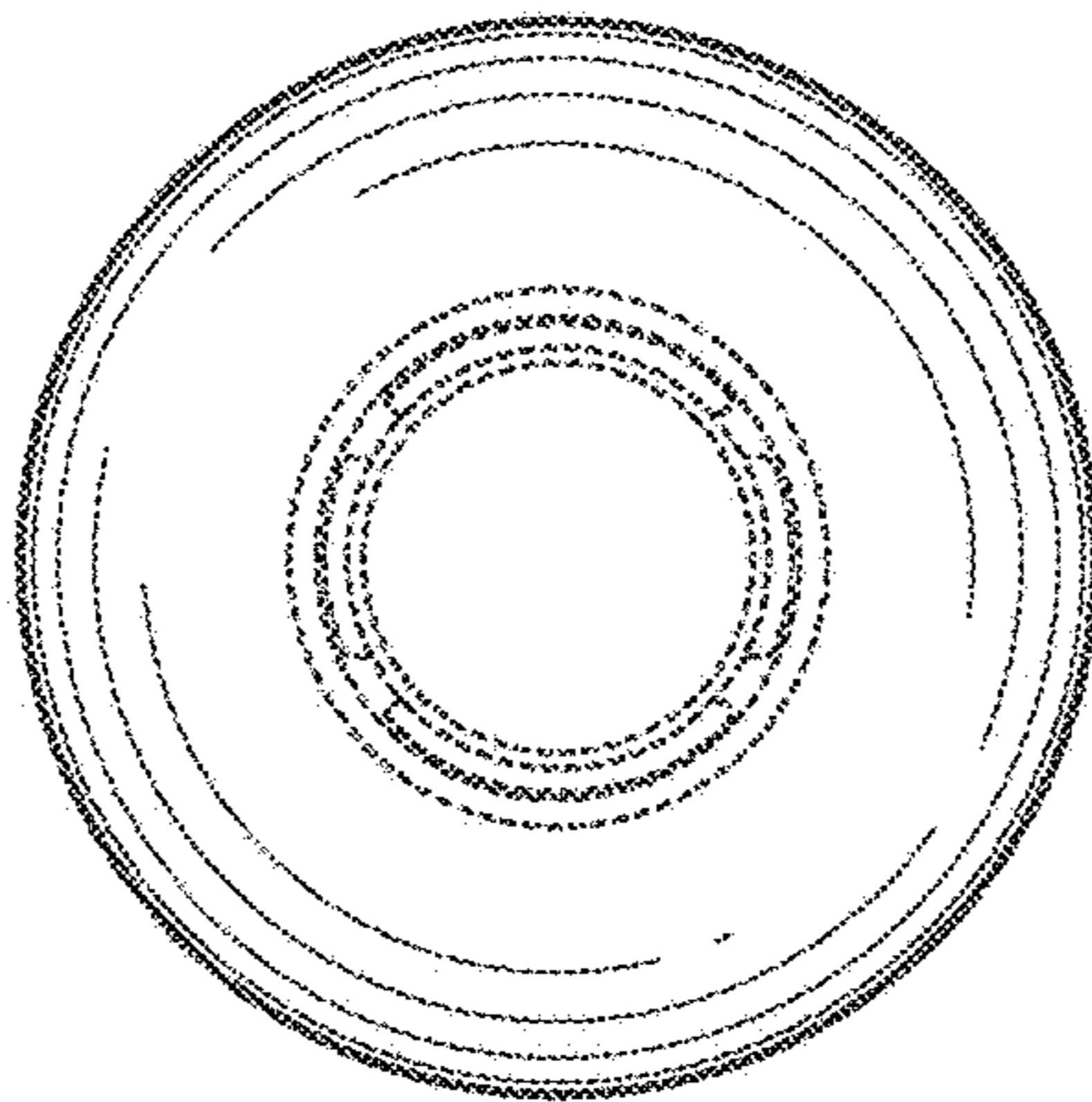


FIG. 18