

US00D792228S

(12) **United States Design Patent** (10) **Patent No.:** **US D792,228 S**
de Baschmakoff (45) **Date of Patent:** **** Jul. 18, 2017**

(54) **BOTTLE**

(71) Applicant: **J. Choo Limited**, London (GB)

(72) Inventor: **Thierry de Baschmakoff**, Paris (FR)

(73) Assignee: **J. Choo Limited**, London (GB)

(**) Term: **14 Years**

(21) Appl. No.: **29/509,767**

(22) Filed: **Nov. 20, 2014**

(30) **Foreign Application Priority Data**

May 23, 2014 (EM) 002470120-0005

May 23, 2014 (EM) 002470120-0006

(51) **LOC (10) Cl.** **09-01**

(52) **U.S. Cl.**
USPC **D9/522**

(58) **Field of Classification Search**
USPC D9/682, 693-694, 516, 522-523,
D9/559-560, 567, 572-575, 441,
D9/451-452, 454; D3/202; 215/6, 379,
215/381-384; 220/660, 669-673, 675
See application file for complete search history.

(56) **References Cited**

U.S. PATENT DOCUMENTS

D32,425 S *	4/1900	Bernheim	D9/522
D53,666 S *	7/1919	Schwidetzky	D9/522
D167,181 S *	7/1952	Vuilleminot	D9/522
D276,698 S *	12/1984	Carlson	D9/522
D281,671 S *	12/1985	Buchet	D9/454
D336,733 S *	6/1993	Hadtke	D9/516
D340,864 S *	11/1993	De Rothschild	D9/522
D364,348 S *	11/1995	Sgariboldi	D9/544
D406,751 S *	3/1999	Vola	D9/522
D422,899 S *	4/2000	Kudo	D9/687 X

D446,124 S *	8/2001	Lehnert	D9/523 X
D480,299 S *	10/2003	Sgariboldi	D9/694
D515,929 S *	2/2006	Steih et al.	
D515,930 S *	2/2006	Steih	D9/567 X
D536,259 S *	2/2007	Herrmann	D9/574 X
D537,728 S *	3/2007	De Monclin	D9/573
D555,480 S *	11/2007	Nicosia	D9/522
D601,428 S *	10/2009	Rica	D9/544
D628,489 S *	12/2010	Caten	D9/572 X
D645,358 S *	9/2011	de Monclin	D9/522
D653,847 S *	2/2012	Seals	D3/202
D656,827 S *	4/2012	Mandell	D9/575 X
D718,044 S *	11/2014	Vargo	D3/202
D736,517 S *	8/2015	Lee	D3/202
D736,647 S *	8/2015	DeMarco	D9/694
D753,338 S *	4/2016	Chen	D27/162
D758,868 S *	6/2016	Bretschneider	D9/575 X

* cited by examiner

Primary Examiner — Sheryl Lane

Assistant Examiner — Calvin E Vansant

(74) *Attorney, Agent, or Firm* — Fross Zelnick Lehrman & Zissu, P.C.; Lawrence E. Apolzon, Esq.

(57) **CLAIM**

The ornamental design for a bottle, as shown and described.

DESCRIPTION

FIG. 1 is a front perspective view of a bottle showing the new design;

FIG. 2 is a front view of the bottle shown in FIG. 1;

FIG. 3 is a rear view of the bottle shown in FIG. 1;

FIG. 4 is a right side view of the bottle shown in FIG. 1

FIG. 5 is a left side view of the bottle shown in FIG. 1

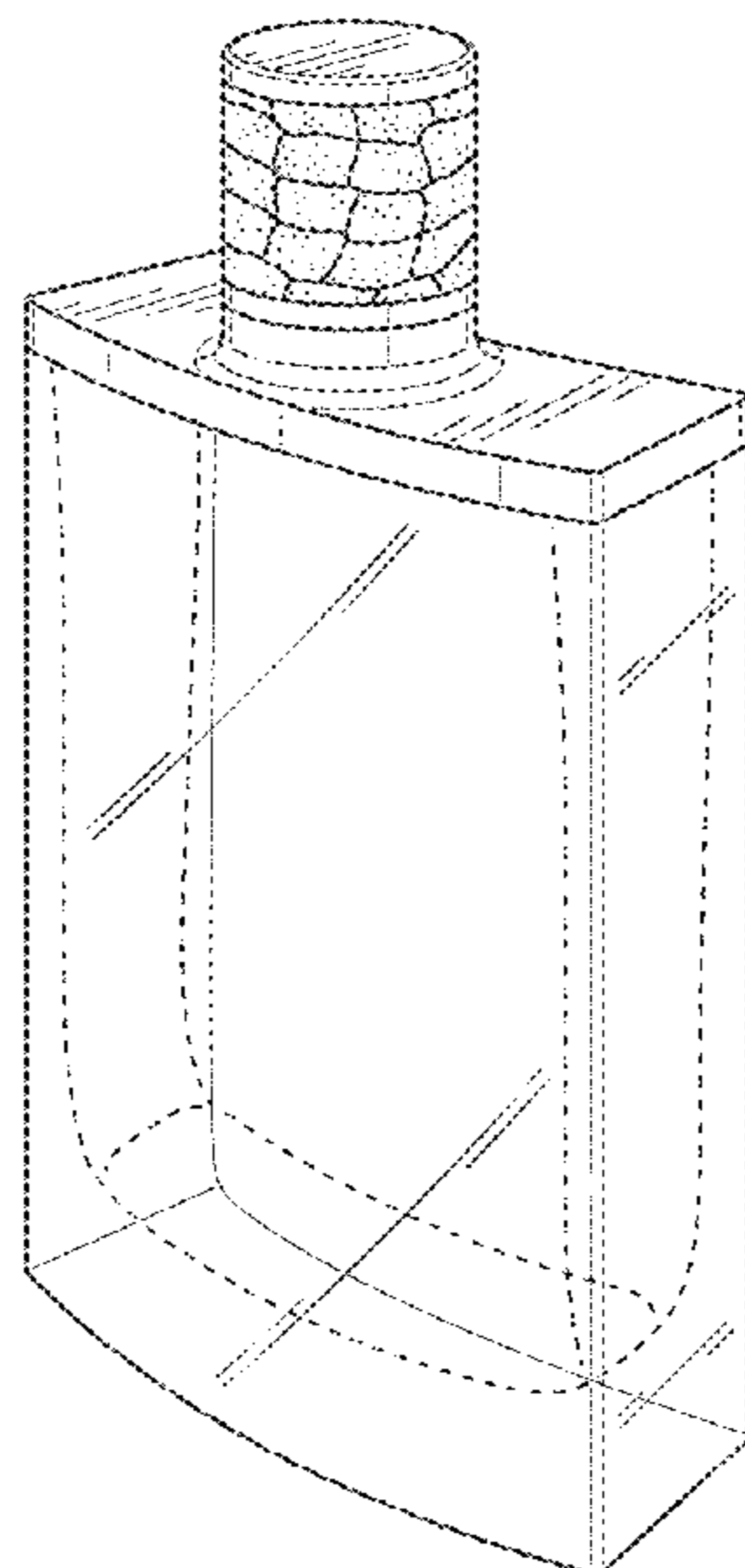
FIG. 6 is a top view of the bottle shown in FIG. 1; and,

FIG. 7 is a bottom view of the bottle shown in FIG. 1.

The broken lines showing of the interior chamber of the bottle show unclaimed subject matter.

The stippling indicates color contrast.

1 Claim, 5 Drawing Sheets



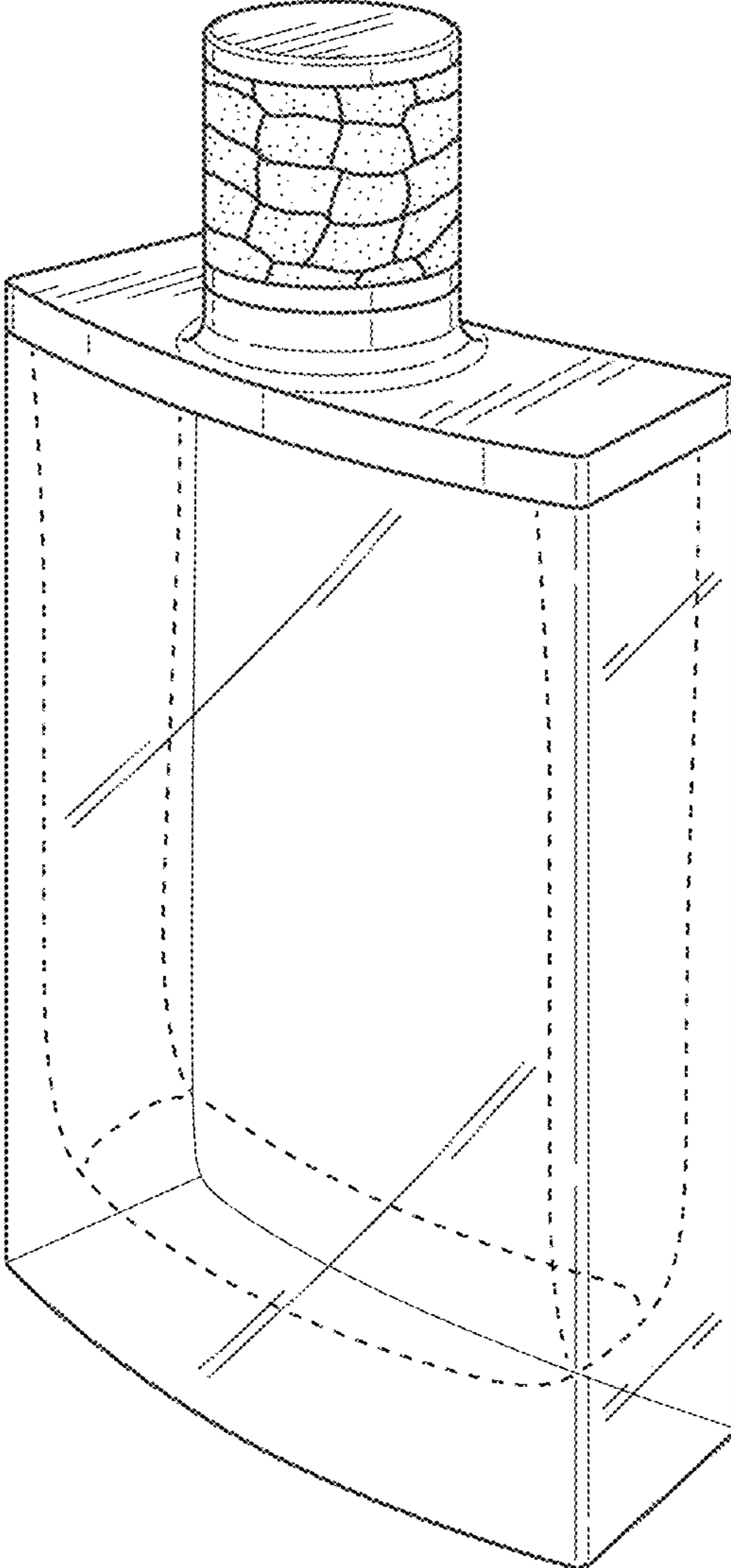


FIG. 1

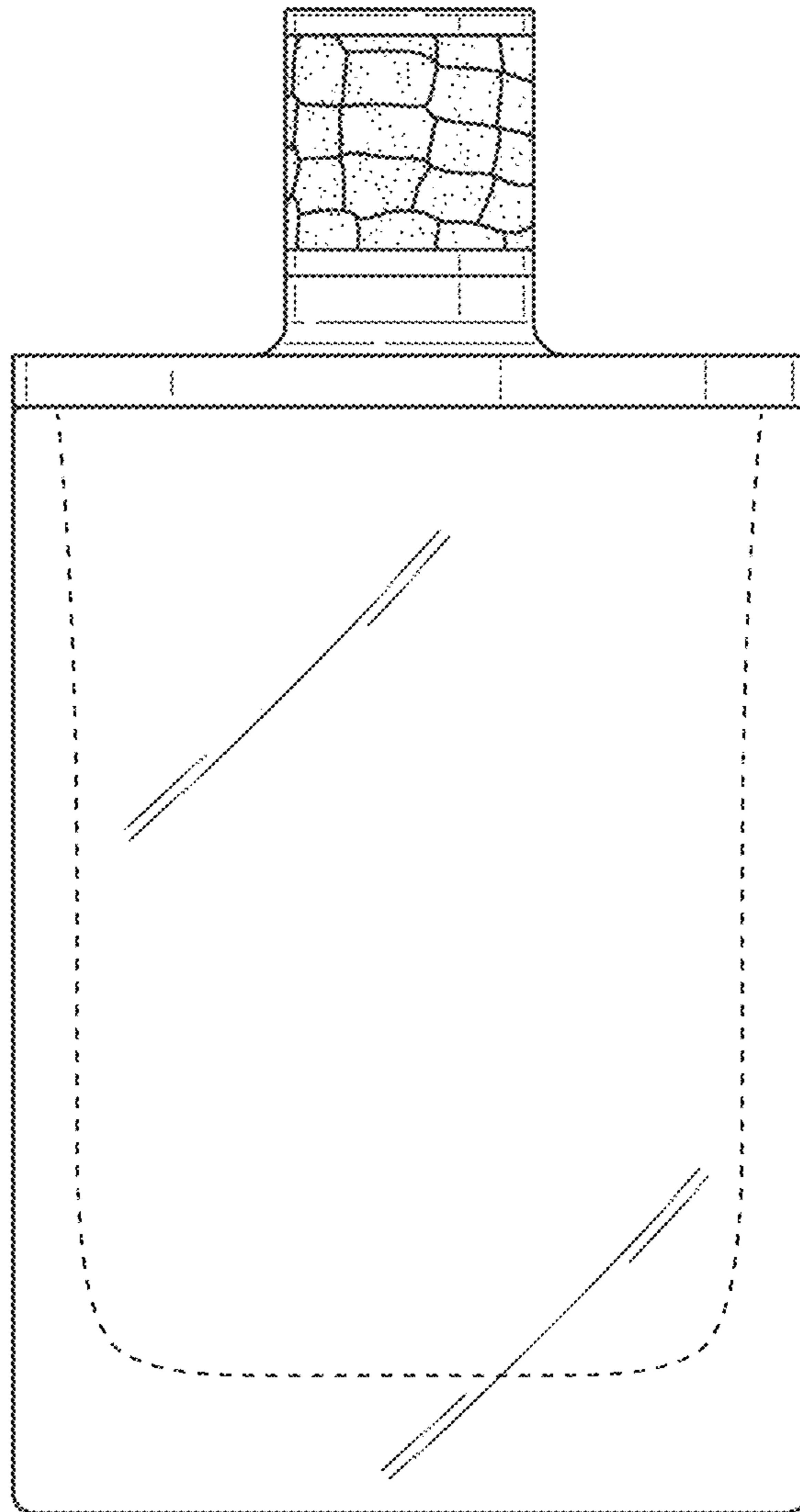


FIG. 2

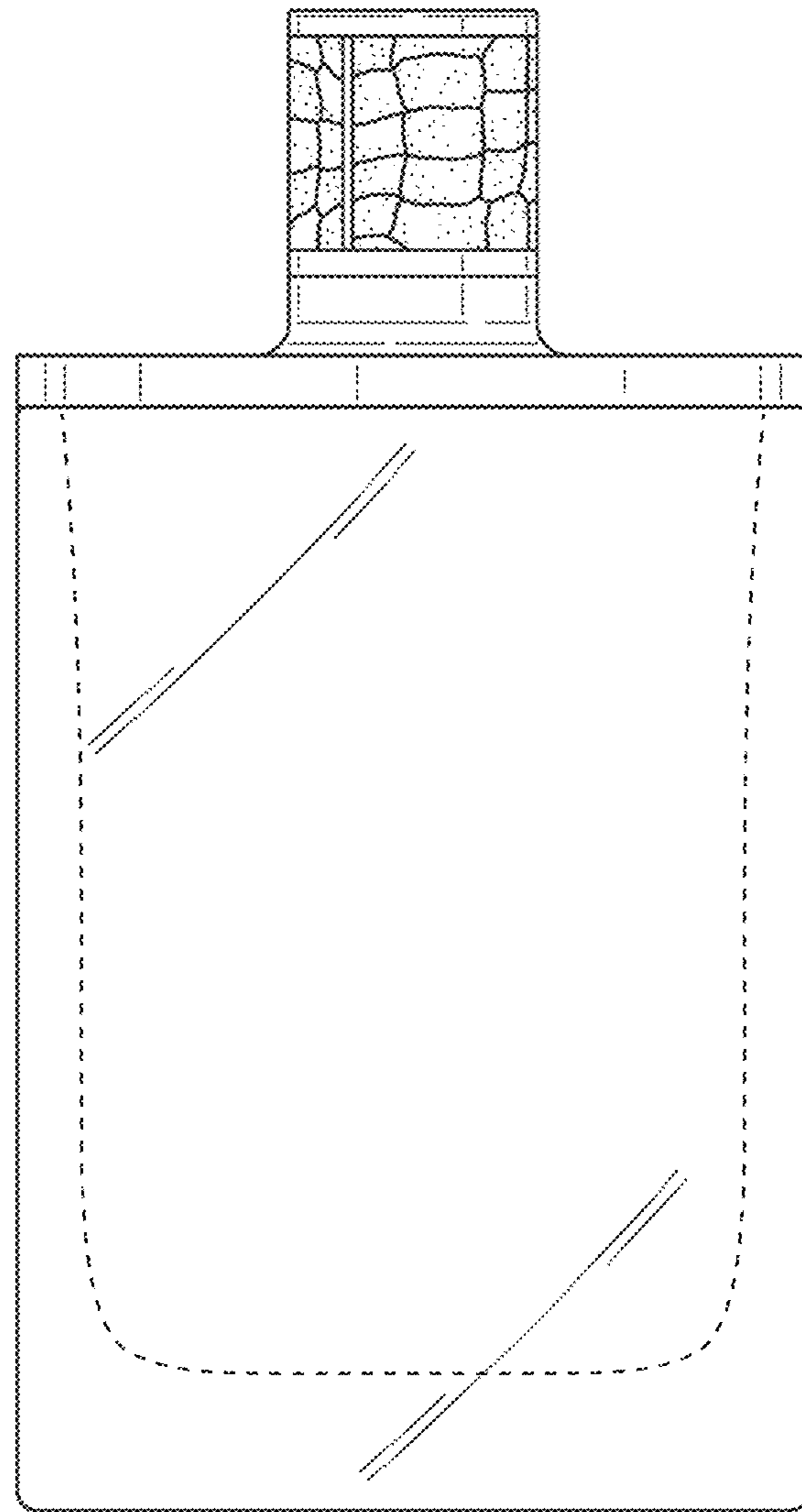


FIG. 3

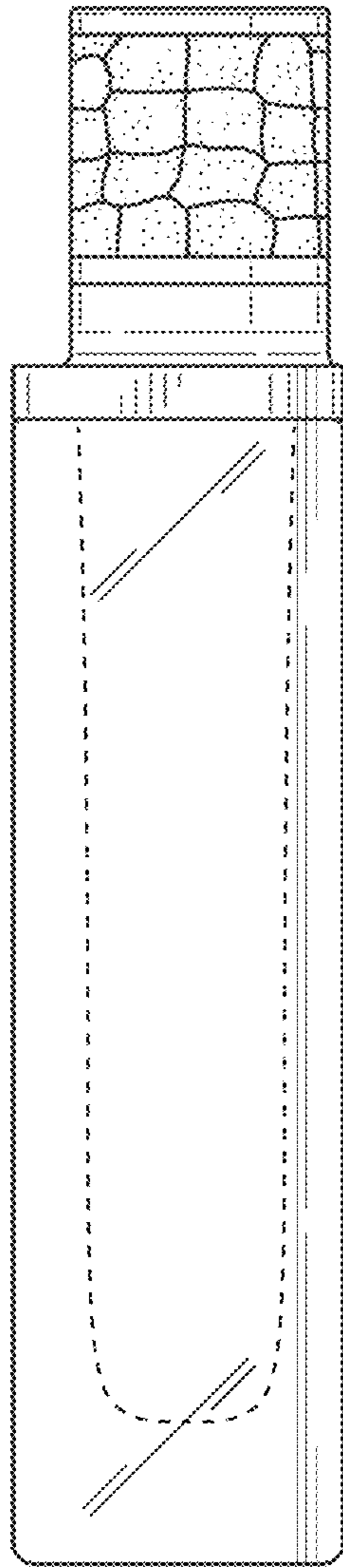


FIG. 4

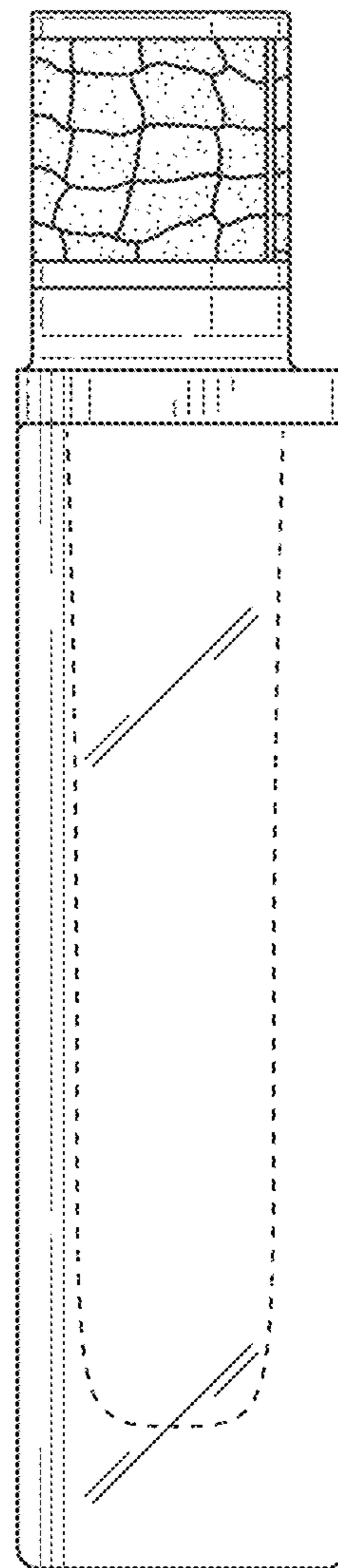


FIG. 5

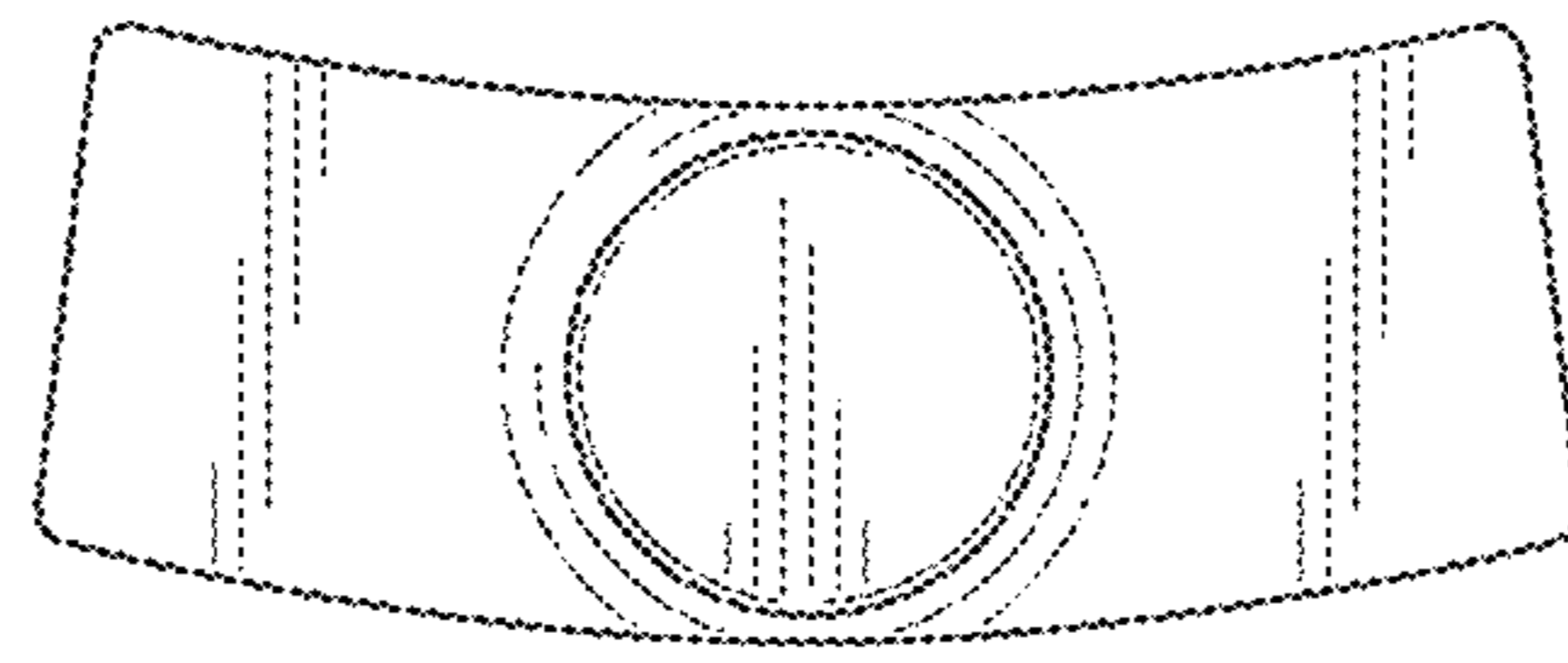


FIG. 6

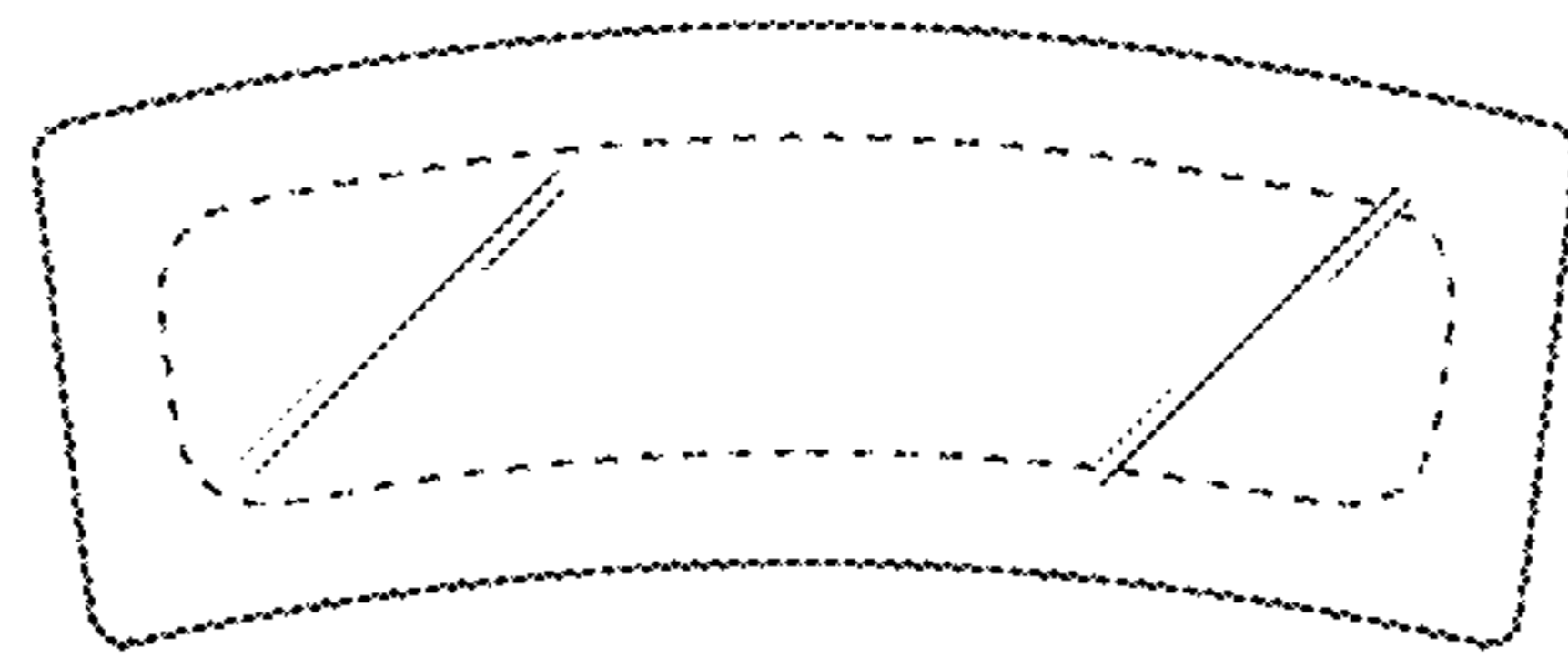


FIG. 7