



US00D792227S

(12) **United States Design Patent**
Dybdahl

(10) **Patent No.:** **US D792,227 S**
(45) **Date of Patent:** **** Jul. 18, 2017**

(54) **DISPENSING CONTAINER**
(71) Applicant: **LollyZip, LLC**, Black Earth, WI (US)
(72) Inventor: **Jill Yvette Dybdahl**, Black Earth, WI (US)
(**) Term: **14 Years**

D607,332 S * 1/2010 Huntington D9/516
D612,263 S * 3/2010 Miksovsky
D612,264 S * 3/2010 Miksovsky
D628,488 S * 12/2010 Johnson D9/521
D629,644 S * 12/2010 Zhuang et al.
D638,304 S * 5/2011 Aebi D9/521
D650,679 S * 12/2011 de Cleir D9/521
D657,253 S * 4/2012 Wanders D9/435

(Continued)

(21) Appl. No.: **29/509,122**
(22) Filed: **Nov. 14, 2014**
(51) **LOC (10) Cl.** **09-01**
(52) **U.S. Cl.**
USPC **D9/521**
(58) **Field of Classification Search**
USPC D9/682, 693-695, 697-699, 516,
D9/521-522, 544, 549, 550, 572-573,
D9/574-575; 215/370-371, 381-385;
D24/224; D28/7, 76
See application file for complete search history.

FOREIGN PATENT DOCUMENTS

CN 302061303 S 9/2012

Primary Examiner — Ian Simmons

Assistant Examiner — Janice Lim

(74) *Attorney, Agent, or Firm* — Charles S. Sara; DeWitt Ross & Stevens S.C.

(57) **CLAIM**

The ornamental design of a dispensing container, as shown and described.

DESCRIPTION

FIG. 1 is a front perspective view of a dispensing container, showing my new design;

FIG. 2 is a front cross-sectional view thereof, taken in the direction of line 2-2 of FIG. 6;

FIG. 3 is a side cross-sectional view thereof, taken in the direction of line 3-3 of FIG. 4;

FIG. 4 is a front elevational view thereof;

FIG. 5 is a rear elevational view thereof;

FIG. 6 is a left side elevational view thereof;

FIG. 7 is a right side elevational view thereof;

FIG. 8 is a top plan view thereof; and,

FIG. 9 is a bottom plan view thereof.

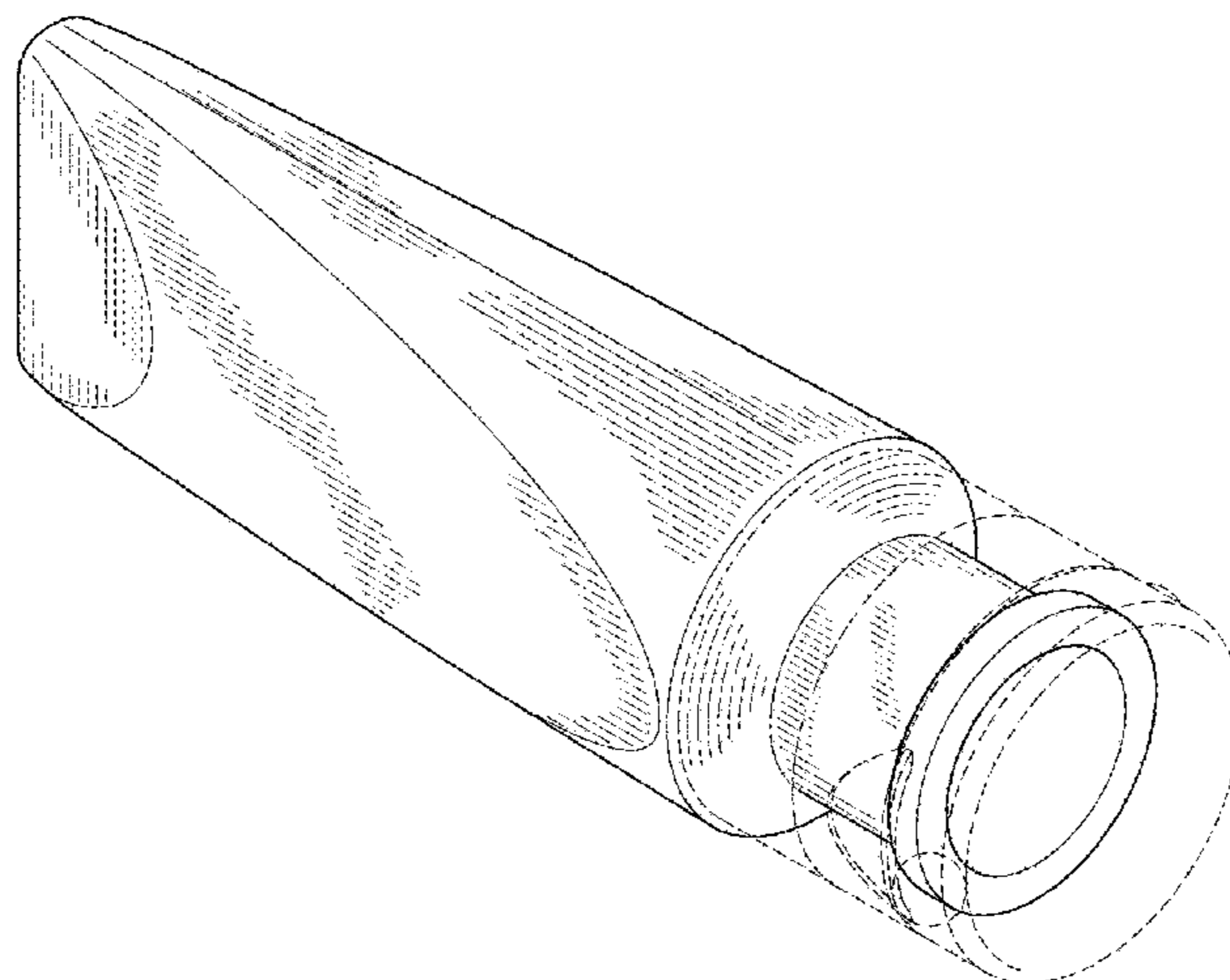
The broken lines shown in the drawings are included for purpose of illustrating environmental structure and form no part of the claimed design.

1 Claim, 5 Drawing Sheets

(56) **References Cited**

U.S. PATENT DOCUMENTS

D212,412 S * 10/1968 Hanlon D9/697
5,137,178 A * 8/1992 Stokes B65D 35/28
222/103
D430,802 S * 9/2000 Adachi D9/521
D457,063 S * 5/2002 Bakic D9/521
D459,212 S * 6/2002 Gobe D9/697
D467,807 S * 12/2002 Bakic D9/521
D501,141 S * 1/2005 Bakic D9/521
D508,412 S * 8/2005 LeBlond D9/694
D522,866 S * 6/2006 Bakic D9/529 X
D525,135 S * 7/2006 Bakic D9/529 X
D527,637 S * 9/2006 Bakic D9/529 X
D537,350 S * 2/2007 Bakic D9/521
D539,652 S * 4/2007 Moretti D9/521
D544,644 S * 6/2007 Hartstock D28/7
D558,061 S * 12/2007 Py D9/695
D580,767 S * 11/2008 Okin D9/550 X
D591,599 S * 5/2009 Okin D9/521



(56)

References Cited

U.S. PATENT DOCUMENTS

D675,923	S	*	2/2013	Bru	D9/574	X
D681,326	S		5/2013	Willows et al.		
D684,480	S	*	6/2013	Bonnin	D9/697	
D697,809	S	*	1/2014	de Cleir	D9/521	
D702,561	S	*	4/2014	Fournier	D9/695	
D712,745	S	*	9/2014	Schwall	D9/448	
D726,024	S	*	4/2015	Peng	D9/521	
D735,042	S	*	7/2015	Simon	D28/76	
D747,967	S	*	1/2016	Lozano Domenech	D9/500	

* cited by examiner

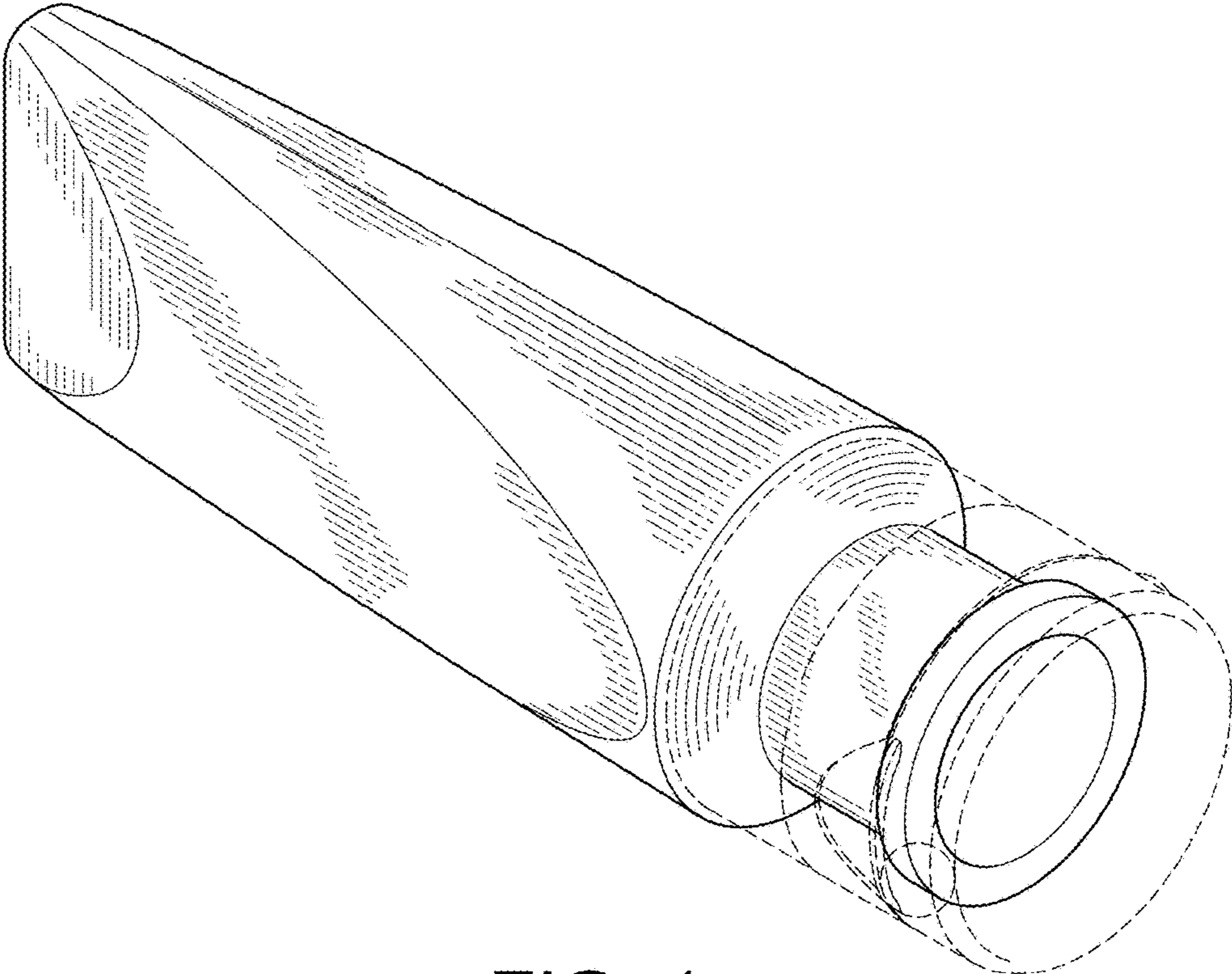


FIG. 1

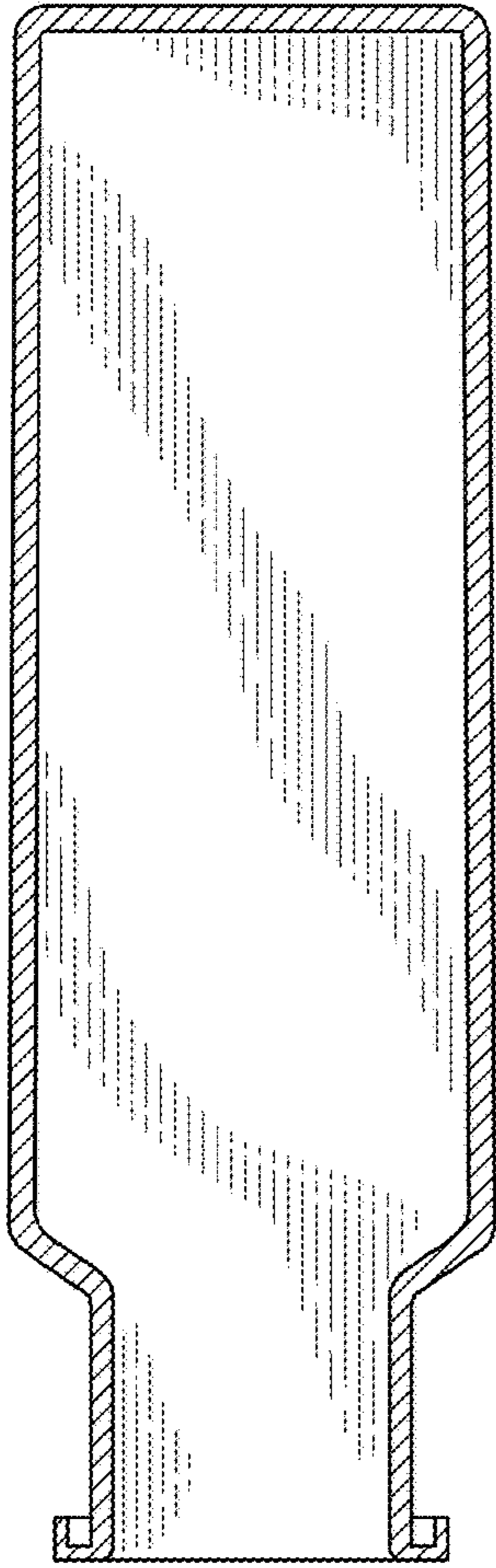


FIG. 2

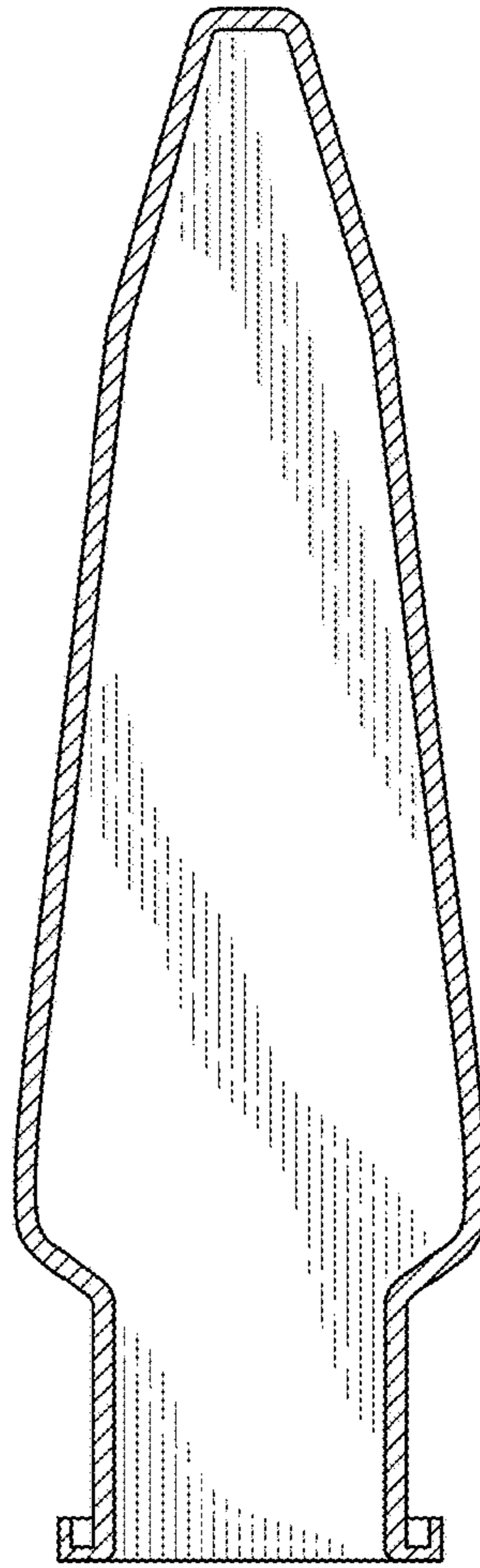


FIG. 3

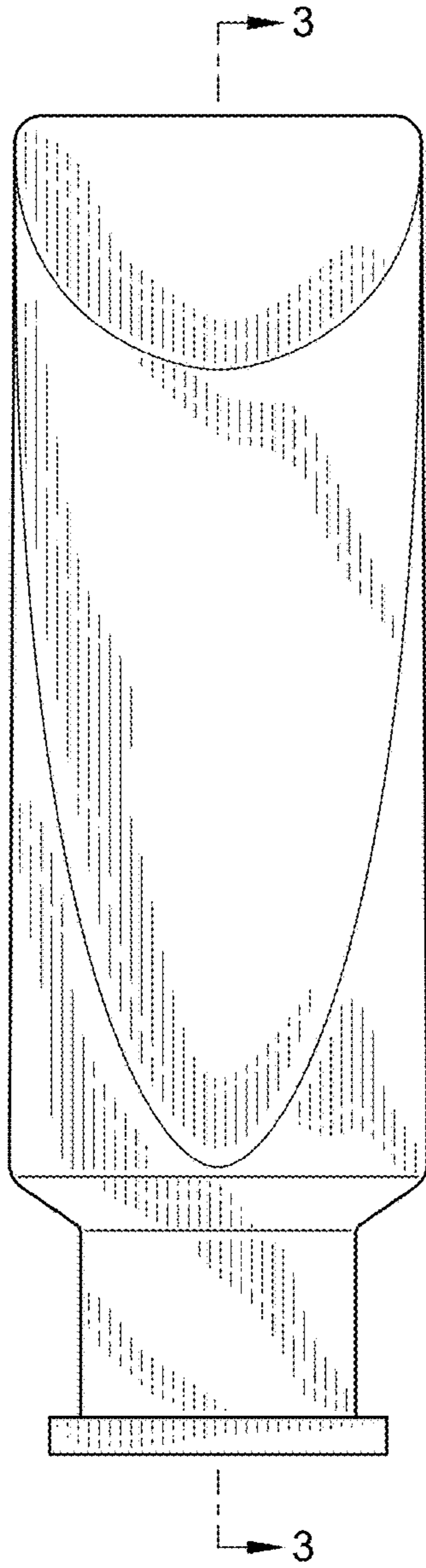


FIG. 4

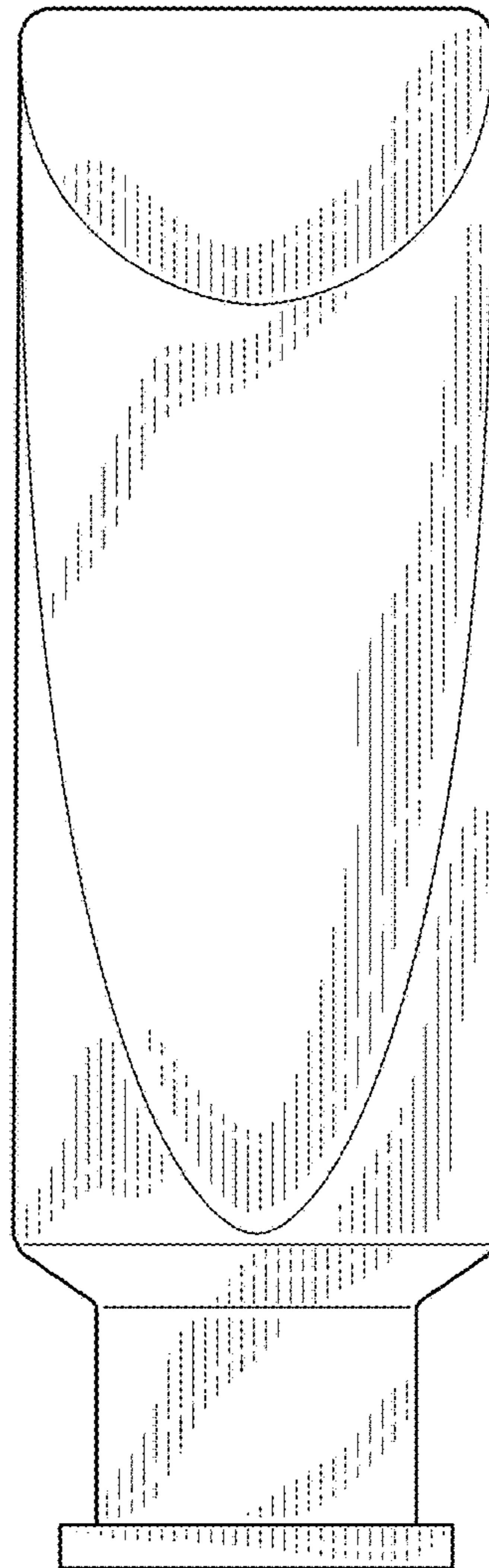


FIG. 5

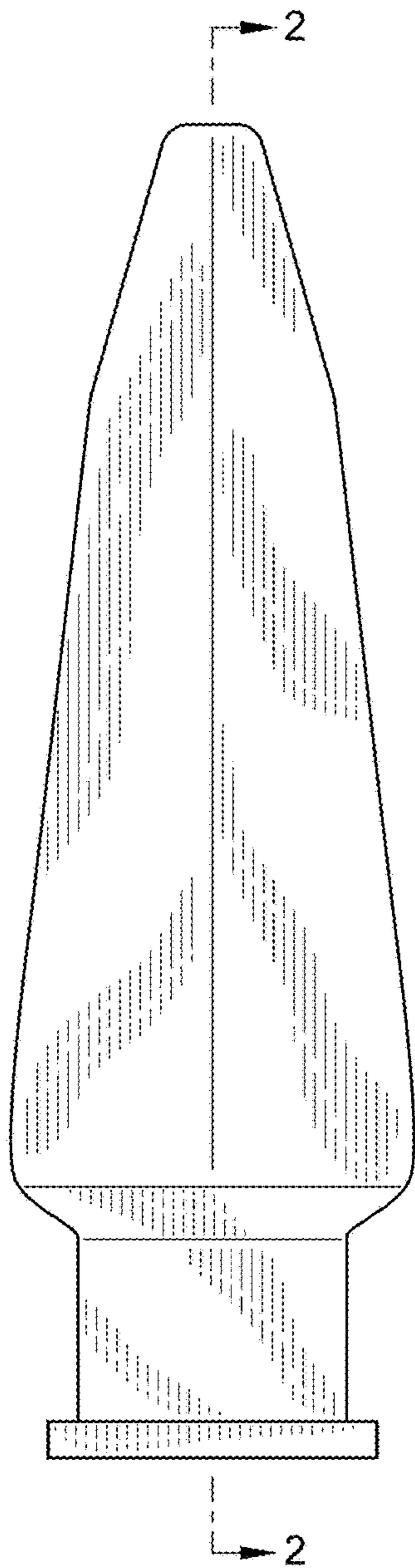


FIG. 6

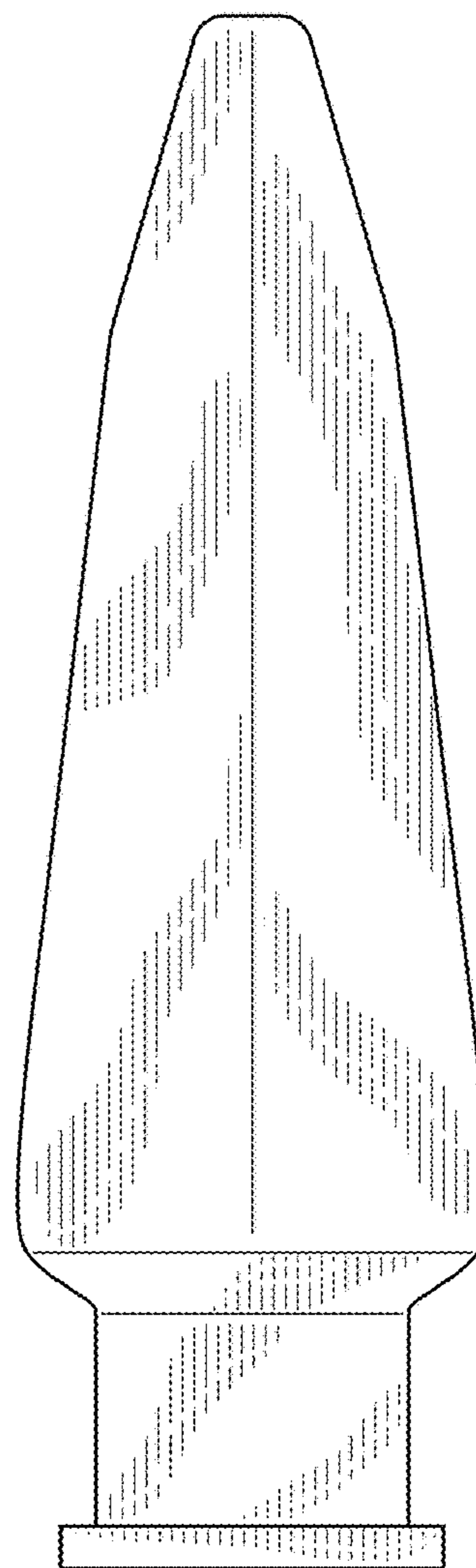


FIG. 7

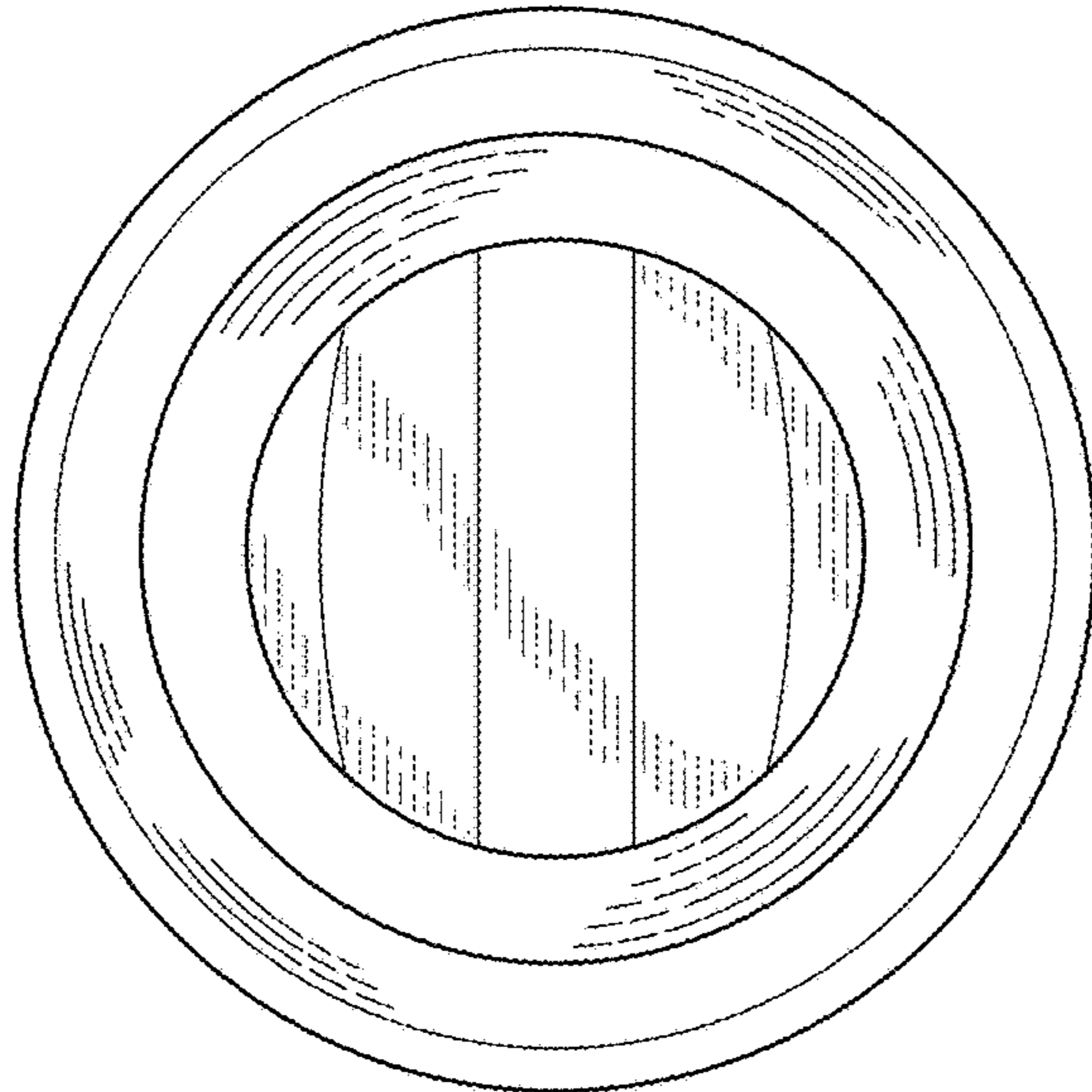


FIG. 8

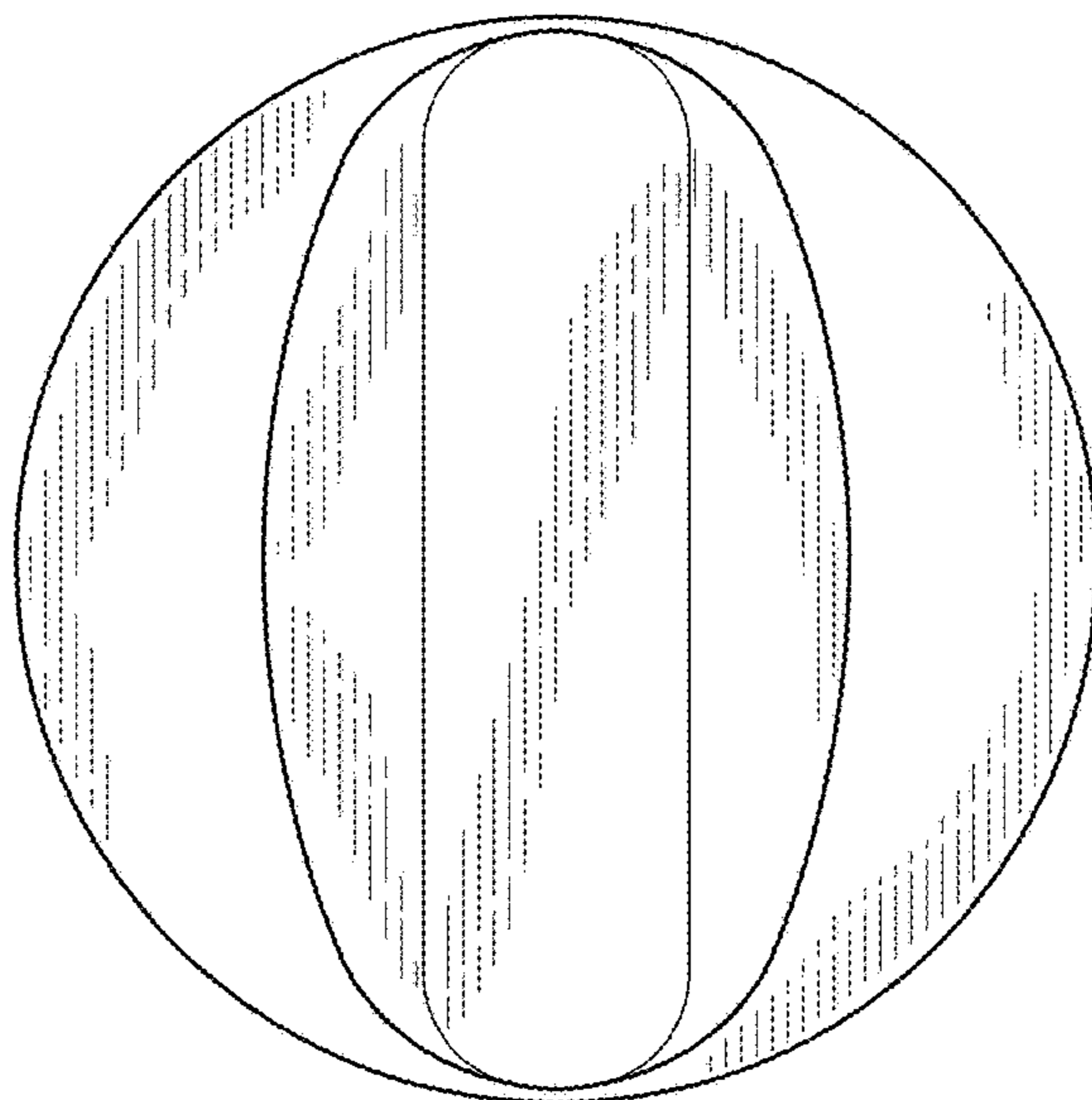


FIG. 9