



US00D792226S

(12) **United States Design Patent**
Desjardins et al.

(10) **Patent No.:** **US D792,226 S**

(45) **Date of Patent:** **** Jul. 18, 2017**

(54) **BOTTLE**

(71) Applicant: **Industries Lassonde Inc.**, Rougemont (CA)

(72) Inventors: **Serge Desjardins**, Hudson (CA); **Dany Béland**, Mont-St-Hilaire (CA)

(73) Assignee: **Industries Lassonde Inc.**, Rougemont, Québec (CA)

(**) Term: **15 Years**

(21) Appl. No.: **29/530,109**

(22) Filed: **Jun. 12, 2015**

(51) **LOC (10) Cl.** **09-01**

(52) **U.S. Cl.**
USPC **D9/516**; D9/531; D9/574

(58) **Field of Classification Search**
USPC D9/434, 435, 436, 447, 454, 516, 520, D9/530, 531, 542, 549, 550, 552, 556, D9/557, 558, 571, 575, 715, 719, 737, D9/738, 757
CPC . B65D 1/00; B65D 1/02; B65D 1/023; B65D 1/0223; B65D 1/0276
See application file for complete search history.

(56) **References Cited**

U.S. PATENT DOCUMENTS

D414,420 S *	9/1999	Zogg	D9/520
D454,069 S *	3/2002	Guislain	D9/528
D473,796 S *	4/2003	Calello	D9/528
D474,113 S *	5/2003	Hansen	D9/531
D475,627 S *	6/2003	Calello	D9/528
D511,462 S *	11/2005	Haley	D9/531
D512,320 S *	12/2005	Haley	D9/531
D576,045 S *	9/2008	LeVasseur	D9/531
D583,244 S *	12/2008	Weyland	D9/531
D597,842 S *	8/2009	Monaghan	D9/531
D649,882 S *	12/2011	Fleischhacker	D9/516
D666,499 S *	9/2012	Fuller	D9/528

D726,015 S *	4/2015	Jasso Gomez	D9/531
D726,016 S *	4/2015	Janney	D9/531
D726,017 S *	4/2015	Janney	D9/531
D733,566 S *	7/2015	Lobbestael	D9/531
D742,747 S *	11/2015	Lobbestael	D9/531

(Continued)

Primary Examiner — Ian Simmons

Assistant Examiner — Keith Frank

(74) *Attorney, Agent, or Firm* — Quarles & Brady LLP

(57) **CLAIM**

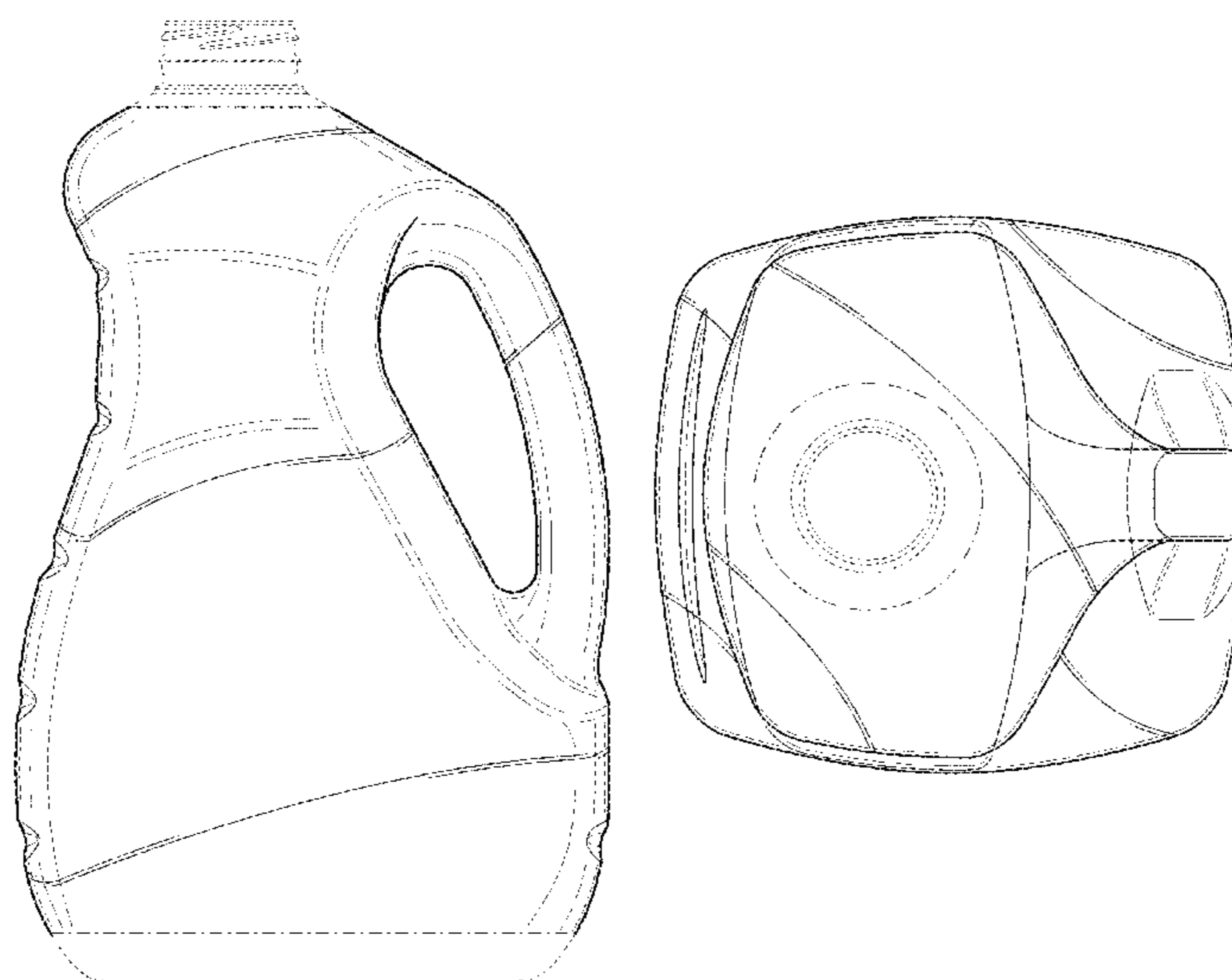
We claim the ornamental design for a bottle, as shown and described.

DESCRIPTION

FIG. 1 is a perspective view of a bottle according to a first embodiment of the present design;
 FIG. 2 is a left side elevational view of the bottle of FIG. 1, with the right side elevational view (not shown) being a mirror image thereof;
 FIG. 3 is a front elevational view of the bottle of FIG. 1;
 FIG. 4 is a rear elevational view of the bottle of FIG. 1;
 FIG. 5 is a top view of the bottle of FIG. 1;
 FIG. 6 is a perspective view of a bottle according to a second embodiment of the present design;
 FIG. 7 is a left side elevational view of the bottle of FIG. 6, with the right side elevational view (not shown) being a mirror image thereof;
 FIG. 8 is a front elevational view of the bottle of FIG. 6;
 FIG. 9 is a rear elevational view of the bottle of FIG. 6; and,
 FIG. 10 is a top view of the bottle of FIG. 6.

The dash-dot-dash broken lines in the drawings showing the bottle depict the bounds of the claimed design. The evenly spaced broken lines in the drawings showing the bottle illustrate the portions of the bottle that form no part of the claim. Opposing detail lines seen through a transparent surface have been omitted in FIGS. 4 and 9 for ease of understanding.

1 Claim, 10 Drawing Sheets



(56)

References Cited

U.S. PATENT DOCUMENTS

D756,232 S * 5/2016 Dunster D9/531
D763,698 S * 8/2016 Dunster D9/575

* cited by examiner

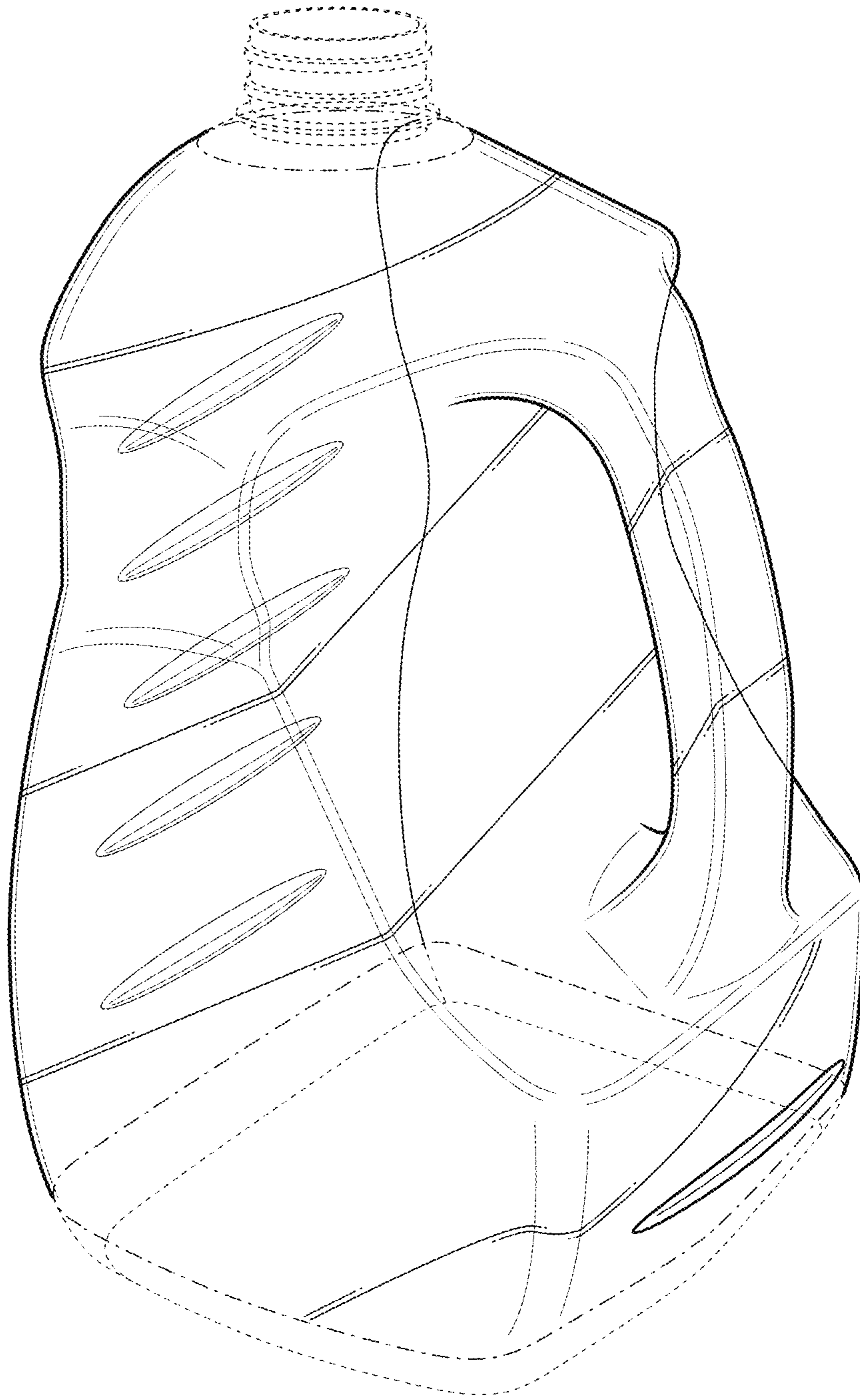


FIG. 1

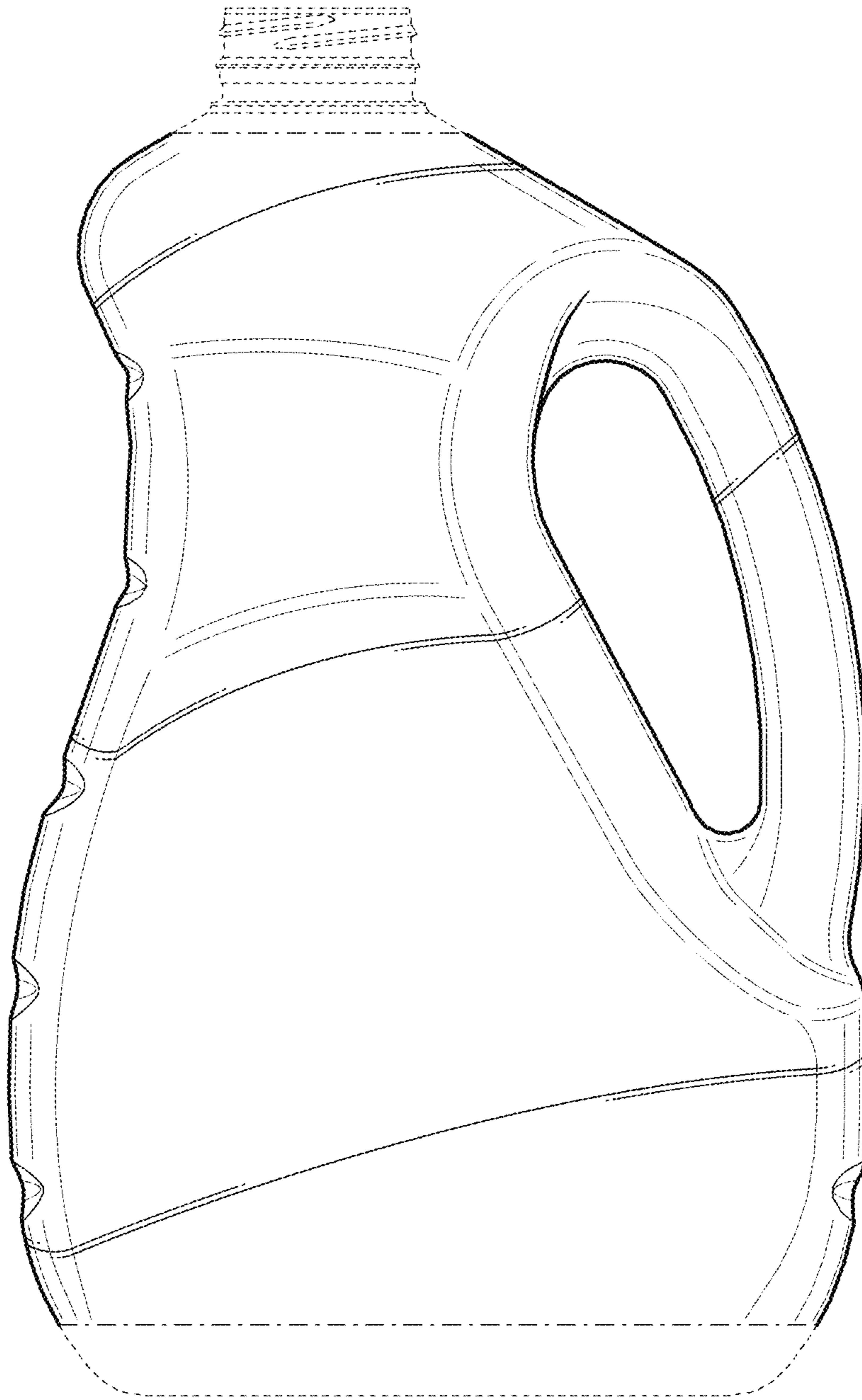


FIG. 2

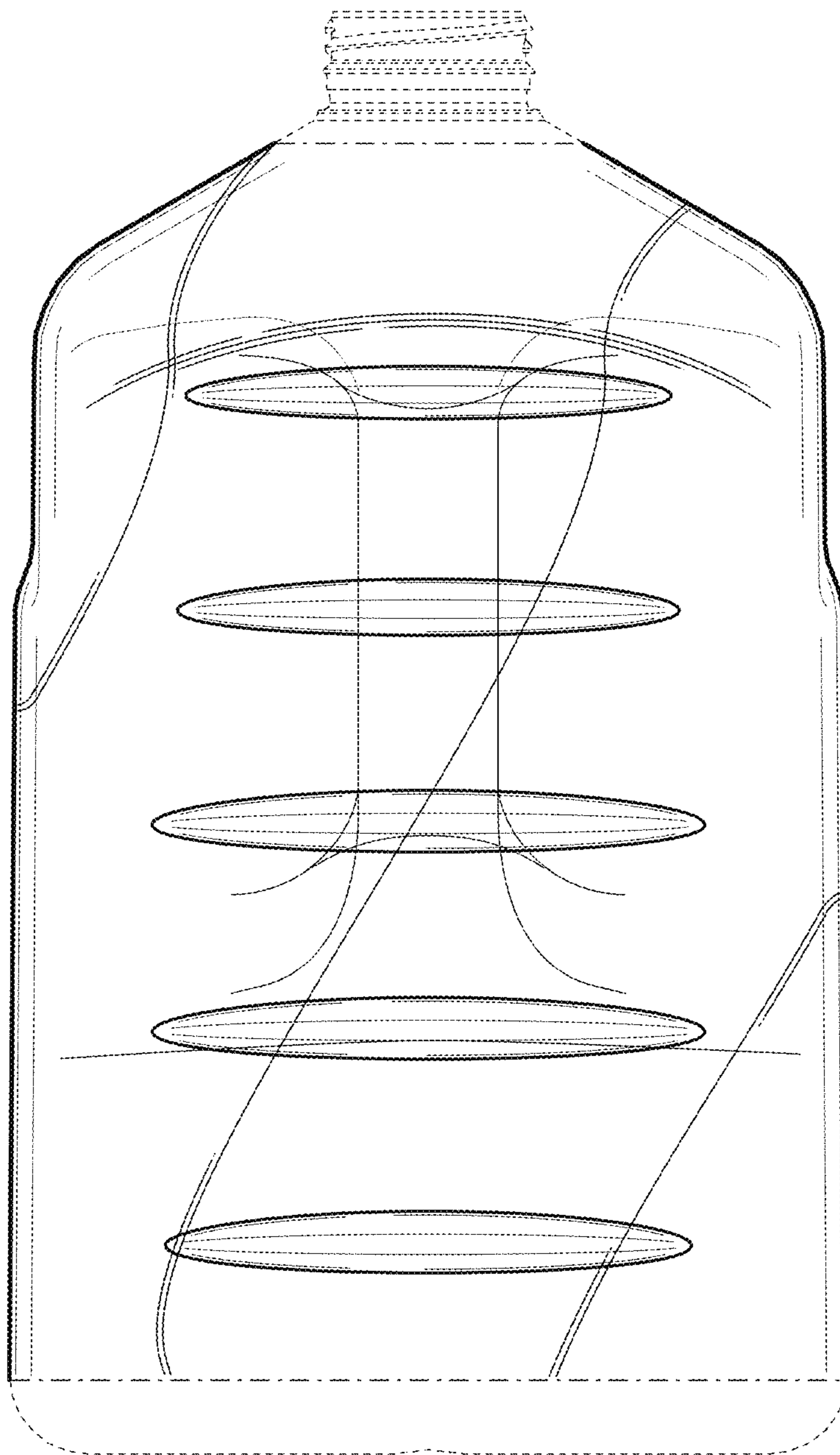


FIG. 3

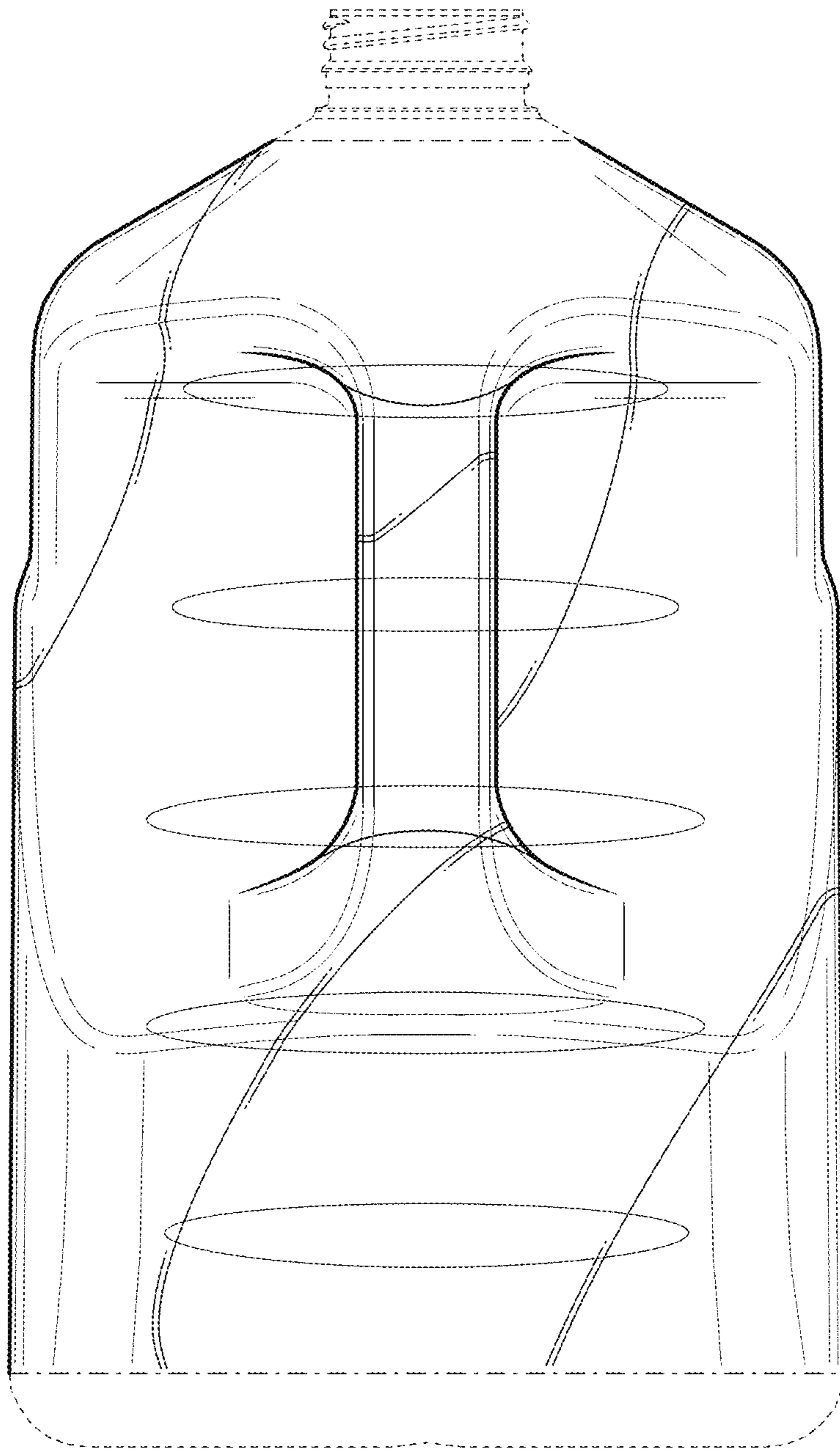


FIG. 4

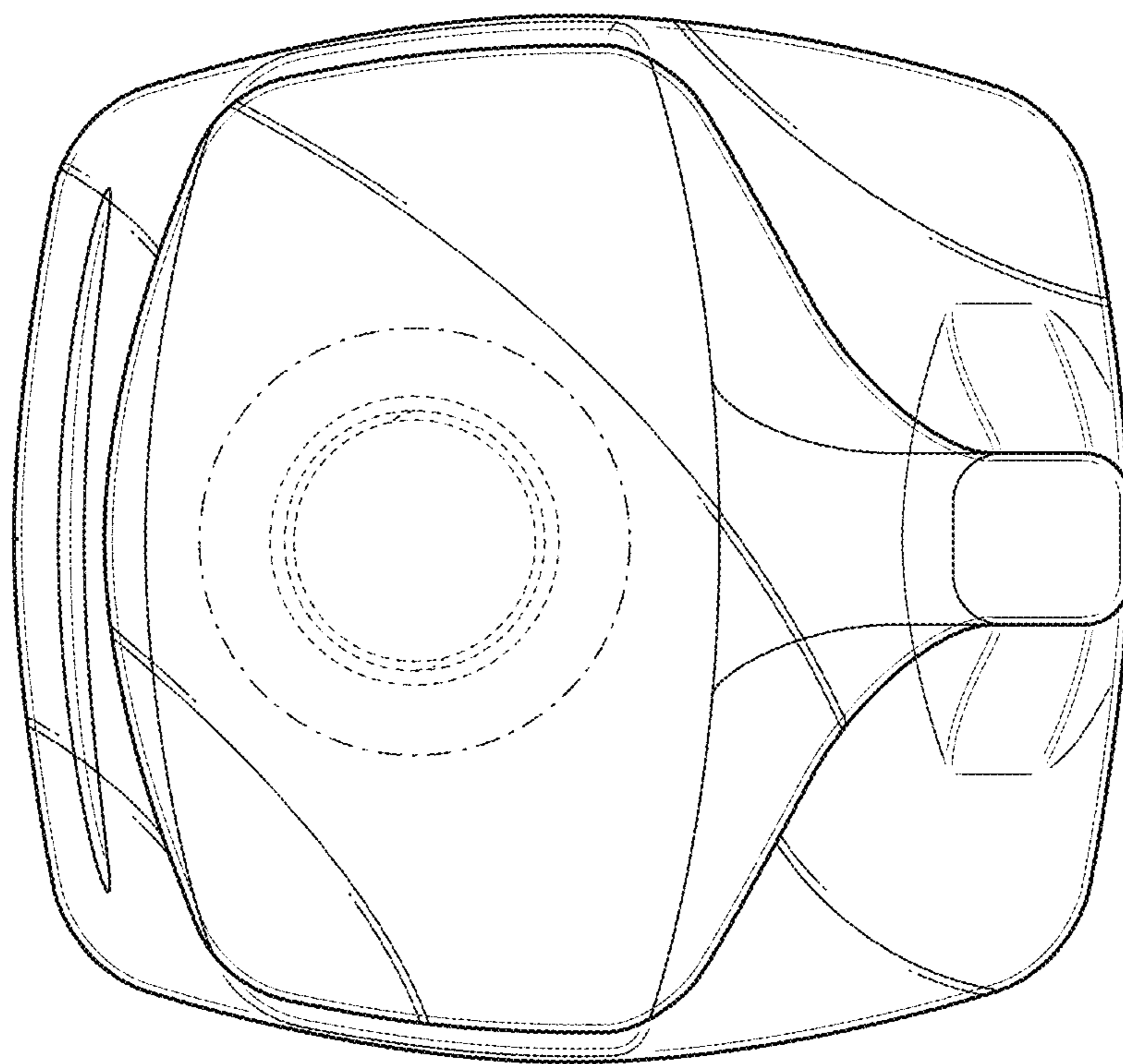


FIG. 5

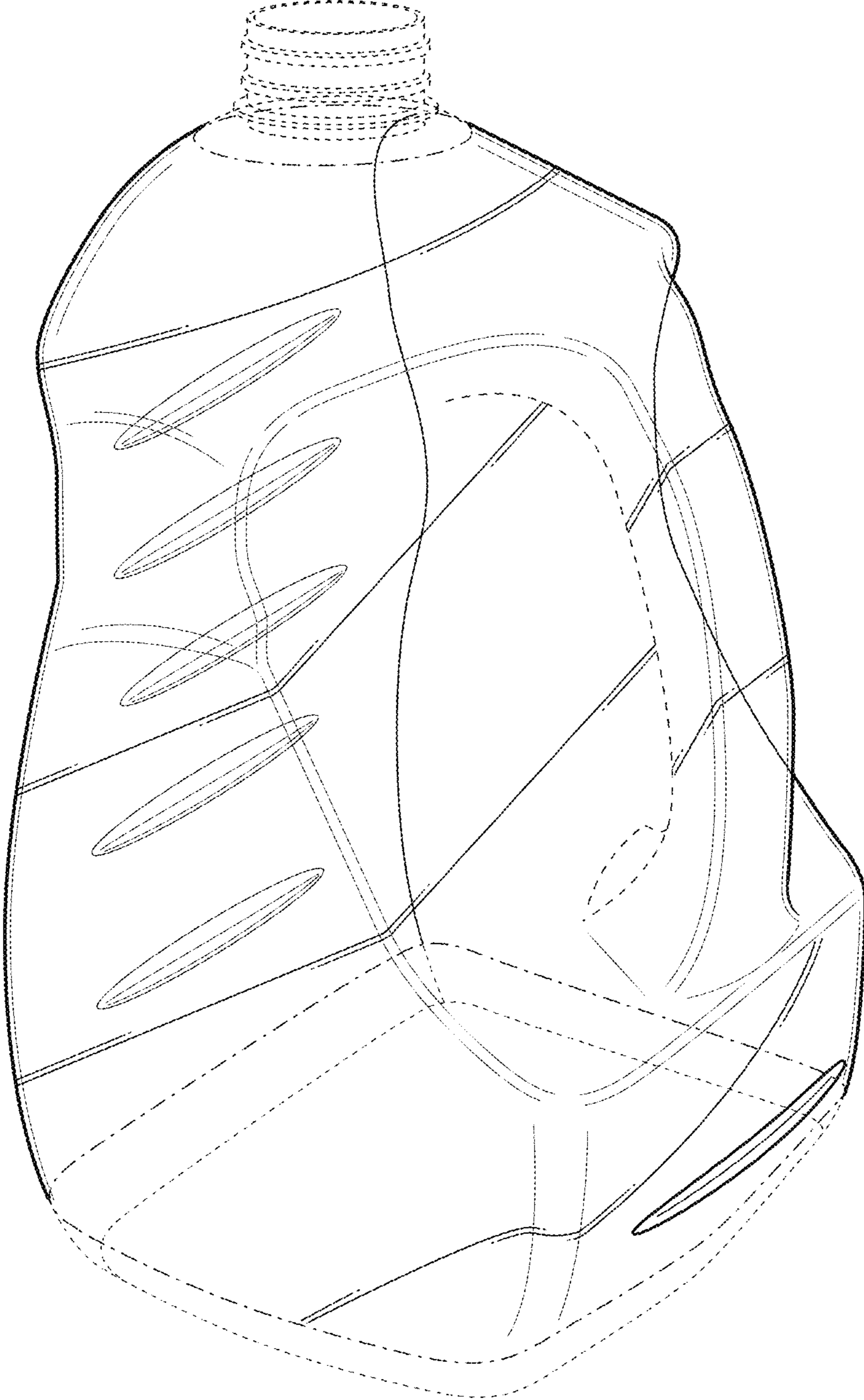


FIG. 6

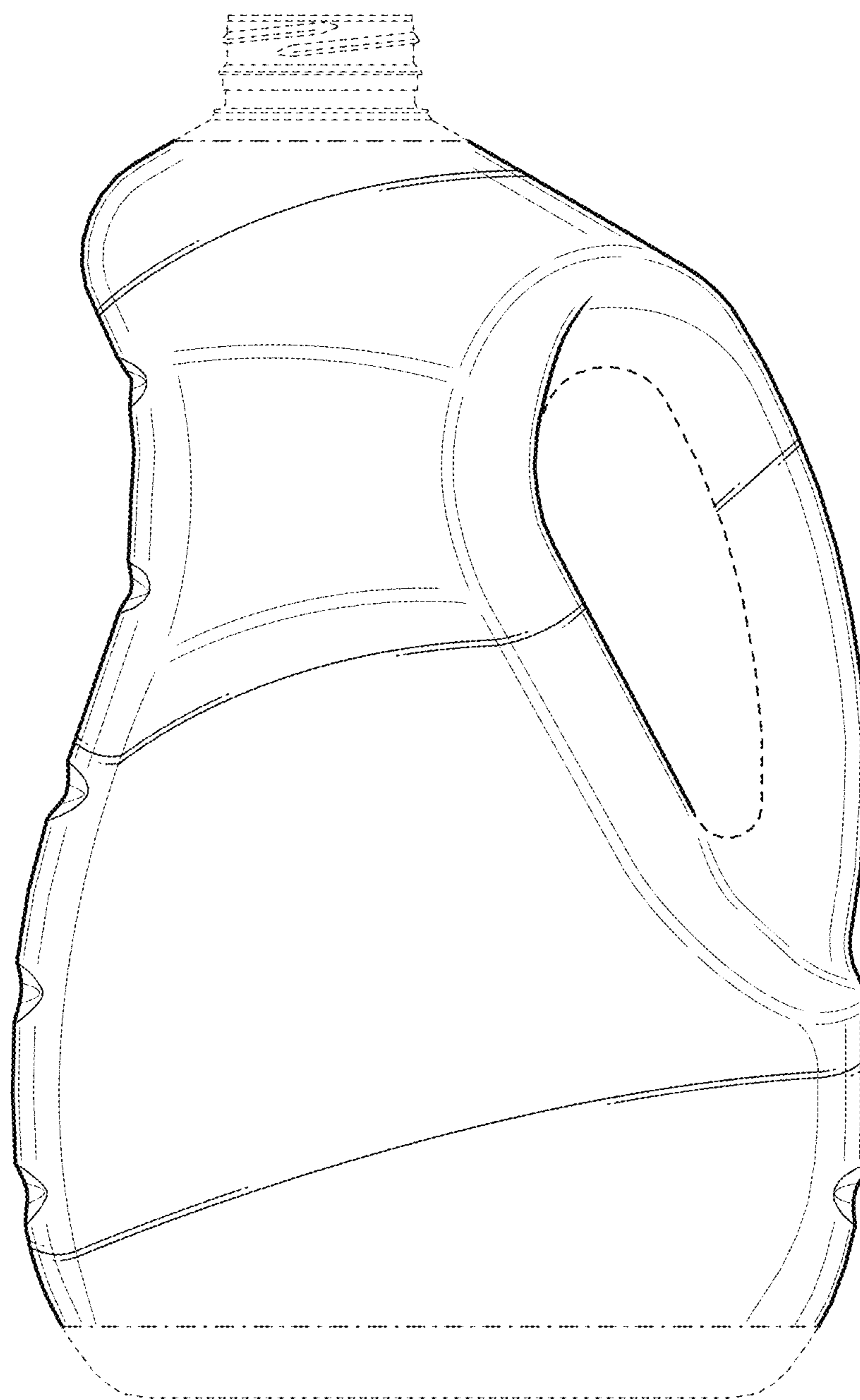


FIG. 7

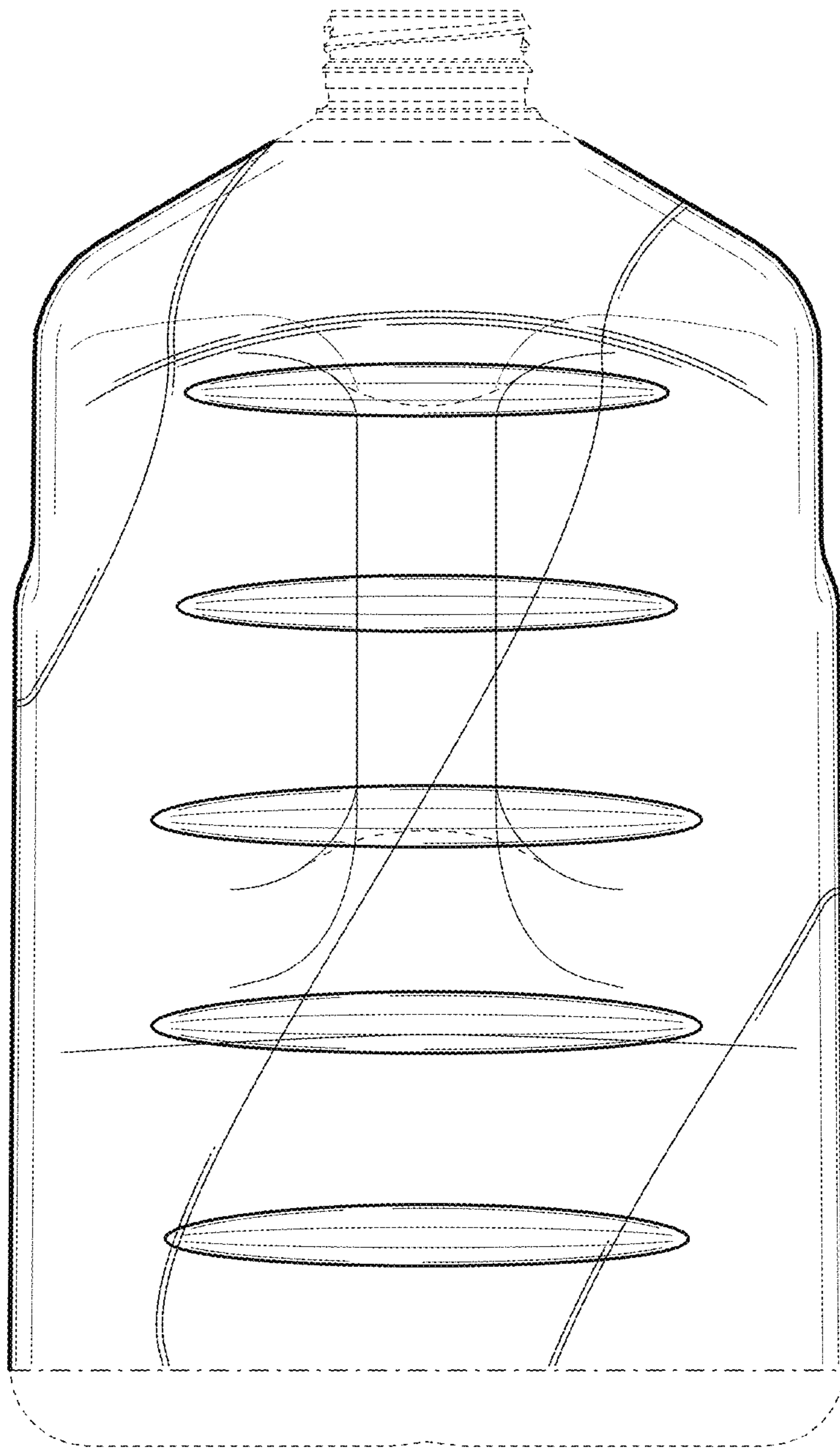


FIG. 8

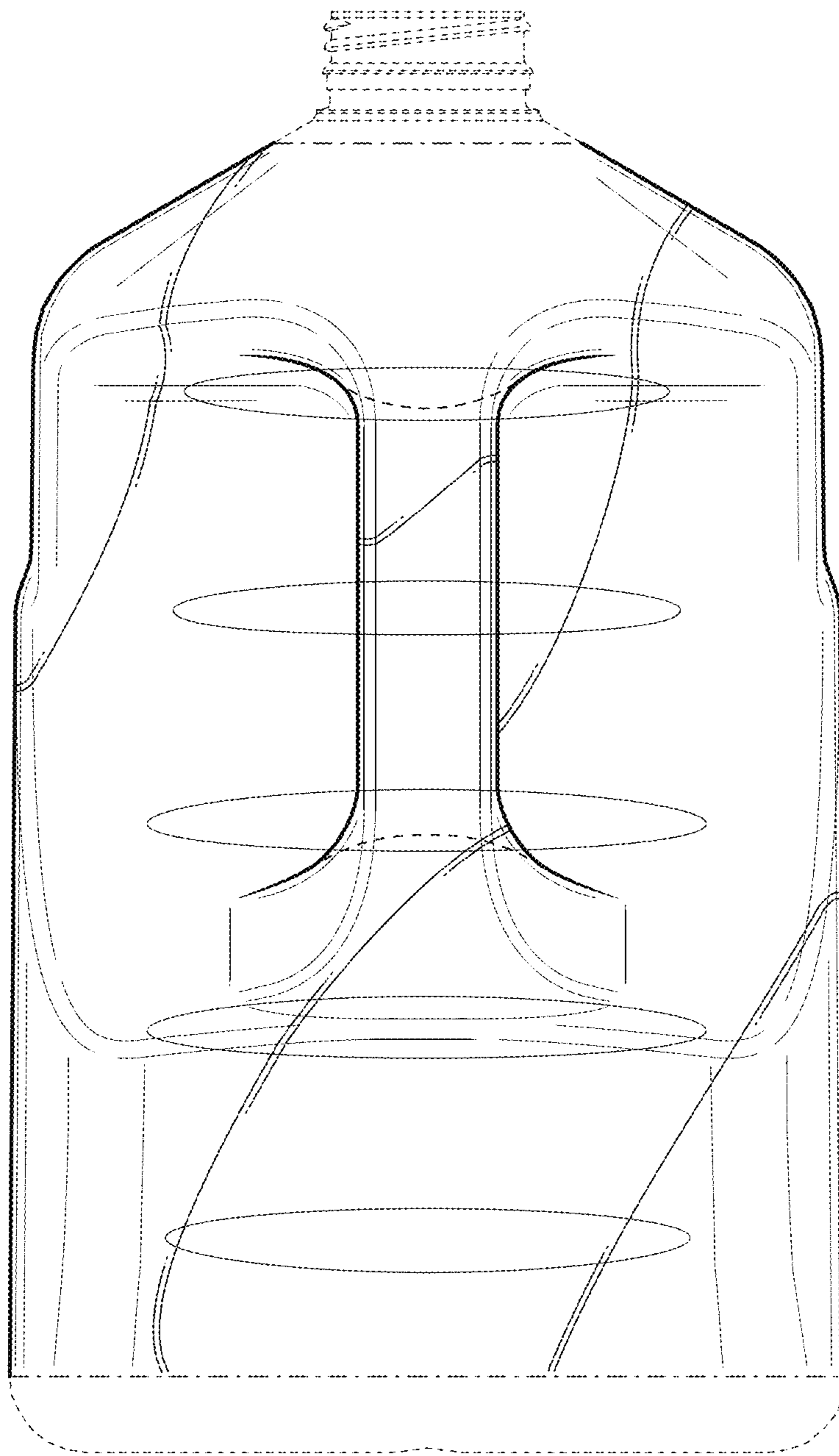


FIG. 9

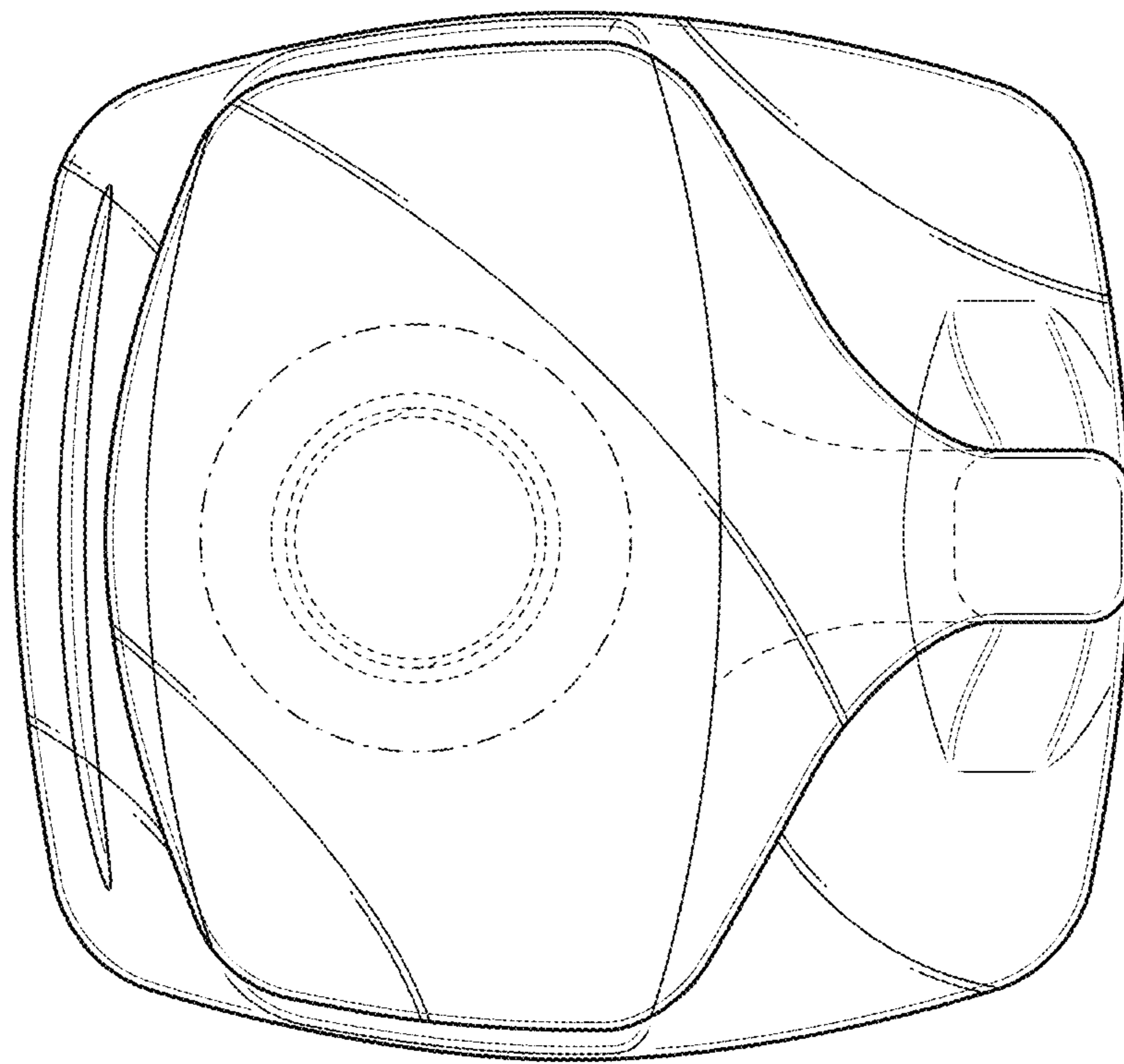


FIG. 10