

US00D792224S

(12) **United States Design Patent**
Lecêtre et al.

(10) **Patent No.:** **US D792,224 S**
(45) **Date of Patent:** **** Jul. 18, 2017**

(54) **BOTTLE BOTTOM**

(71) Applicant: **Saverglass**, Feuquieres (FR)

(72) Inventors: **Catherine Lecêtre**, Feuquieres (FR);
Christophe Blond, Feuquieres (FR)

(73) Assignee: **Saverglass**, Feuquieres (FR)

(**) Term: **14 Years**

(21) Appl. No.: **29/506,645**

(22) Filed: **Oct. 17, 2014**

(51) **LOC (10) Cl.** **09-01**

(52) **U.S. Cl.**
USPC **D9/516**; D9/520

(58) **Field of Classification Search**
USPC D9/516, 520, 544–545, 549, 552, 554,
D9/558, 682, 686, 688, 690, 715, 719;
D7/300, 300.1, 523, 598; D24/224
CPC B65D 1/00; B65D 1/02; B65D 1/0223;
B65D 23/00; B65D 2501/00; B65D
2501/0009

See application file for complete search history.

(56) **References Cited**

U.S. PATENT DOCUMENTS

D19,280 S * 8/1889 Whilldin 47/65.5
D147,630 S * 10/1947 Allen D9/520

D149,394 S * 4/1948 Allen D9/520
D222,851 S * 1/1972 Adomatis et al. D9/501
D230,470 S * 2/1974 Frohn D9/520
D391,482 S * 3/1998 Wiemann D9/434
D451,346 S * 12/2001 Wyche D7/509
D474,073 S * 5/2003 Rorke D7/509
D571,664 S * 6/2008 Feletto D9/505
D611,822 S * 3/2010 Rajani D9/520
D669,718 S * 10/2012 Legreca D6/542
D722,503 S * 2/2015 Smith D9/516

* cited by examiner

Primary Examiner — Dana L Meyrow

(74) *Attorney, Agent, or Firm* — Amster, Rothstein &
Ebenstein, LLP

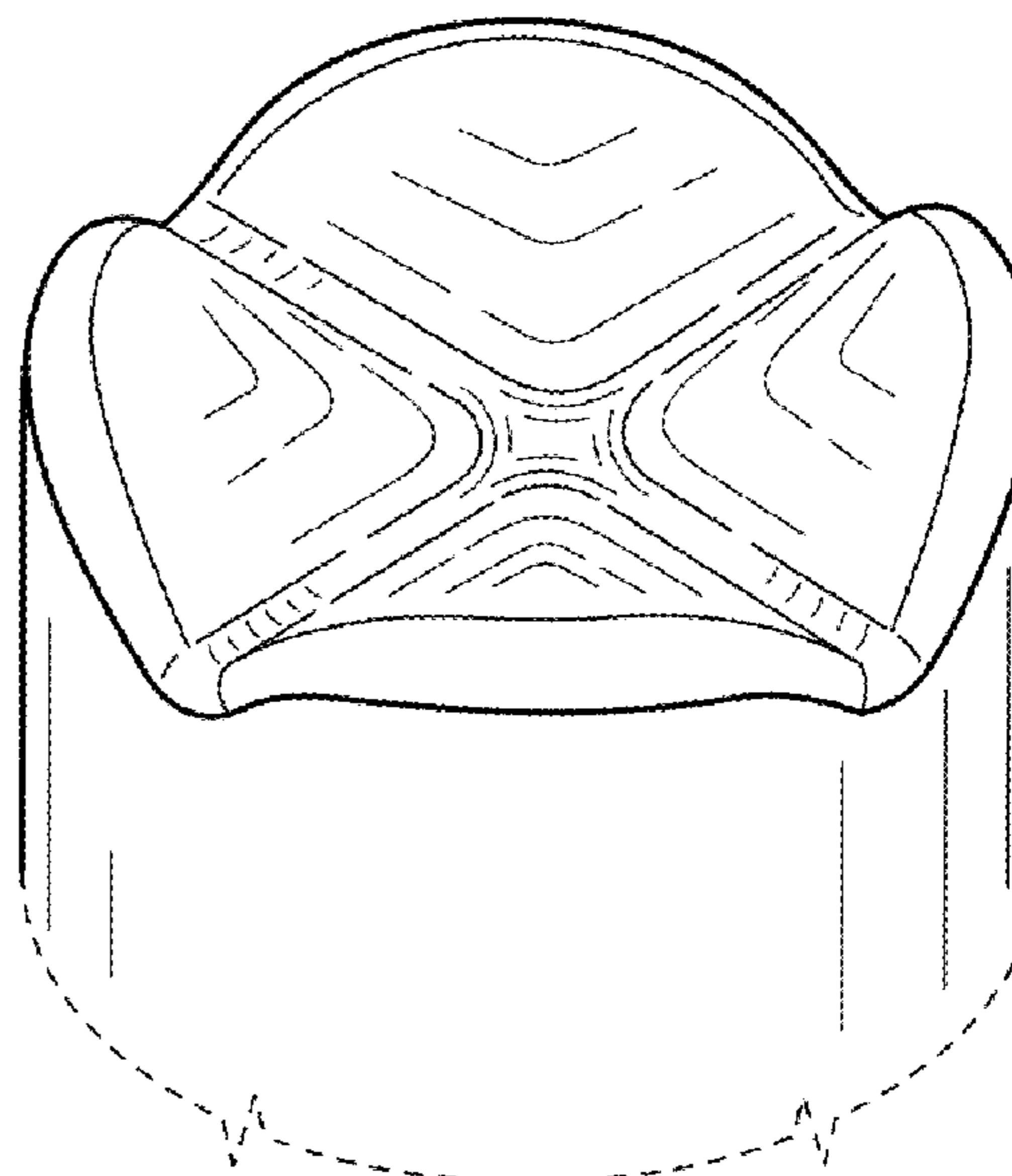
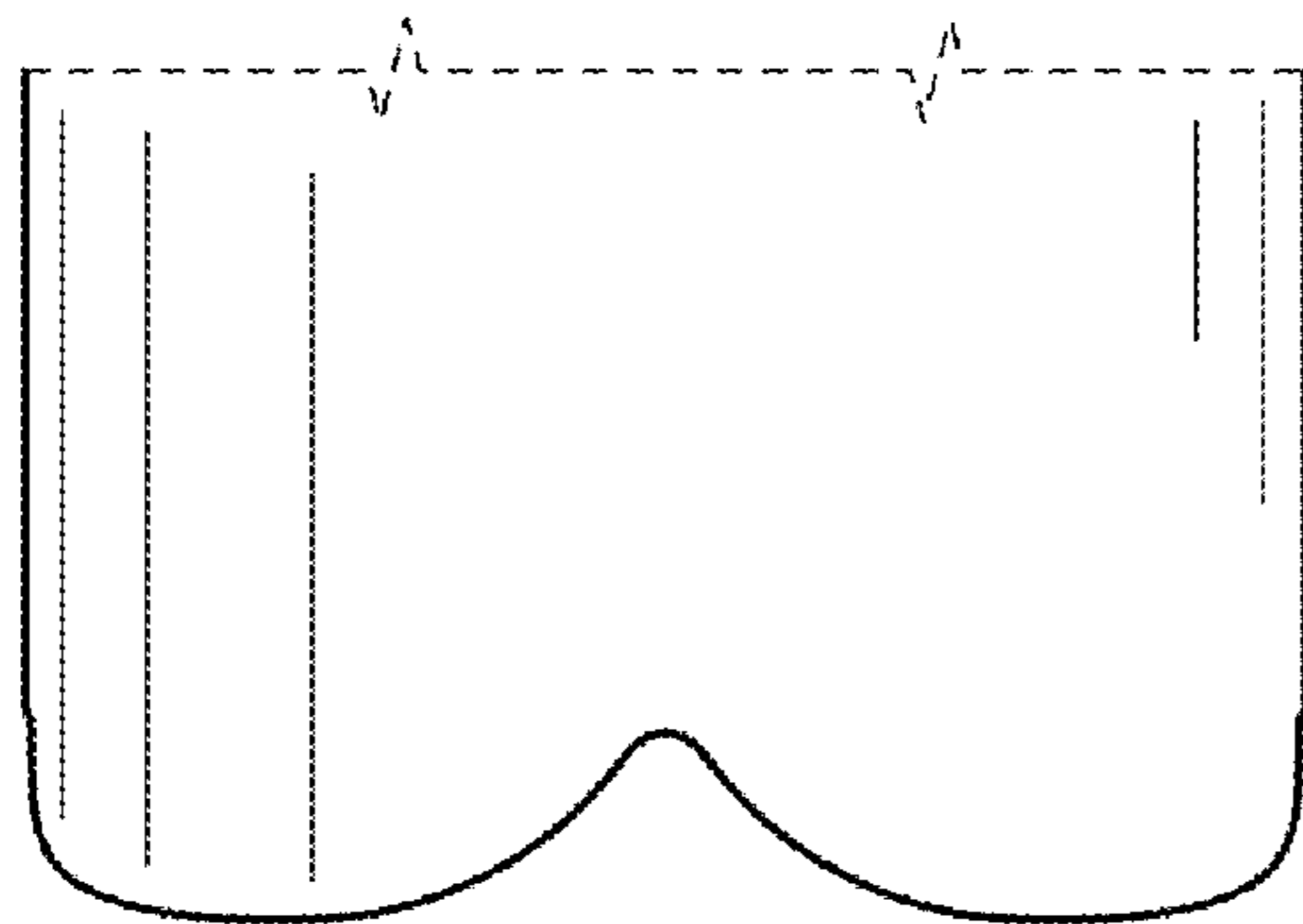
(57) **CLAIM**

The ornamental design for a bottle bottom, substantially as shown and described.

DESCRIPTION

FIG. 1 is a front elevational view of our new bottle bottom design, the rear left and right views, being identical; FIG. 2 is a right side elevational view thereof, rotated 45°; FIG. 3 is a bottom plan view thereof; and, FIG. 4 is a bottom perspective view thereof. The broken, dashed line shows the demarcation between our invention and the remainder of the bottle which forms no part of the claimed invention.

1 Claim, 1 Drawing Sheet



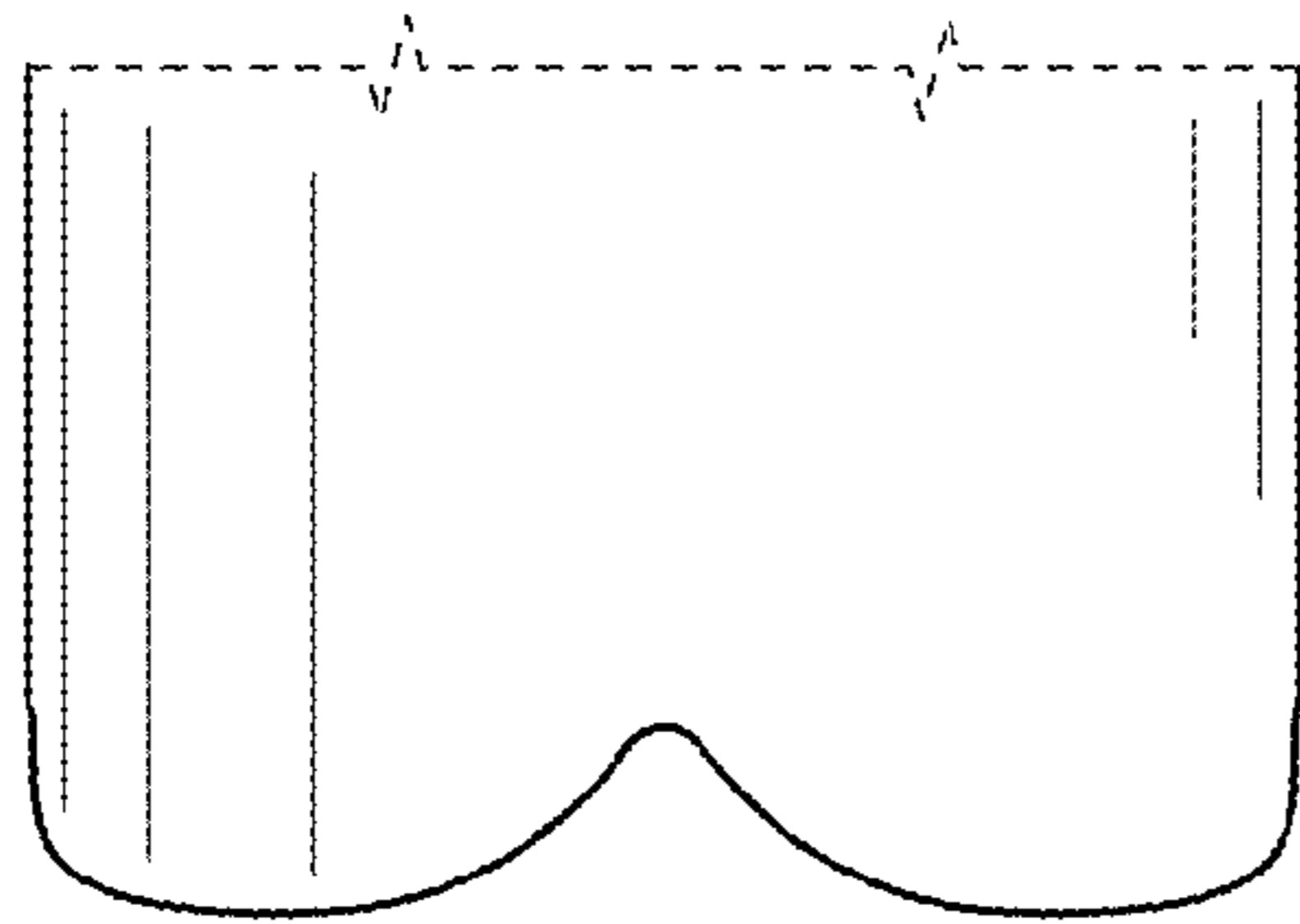


FIG. 1

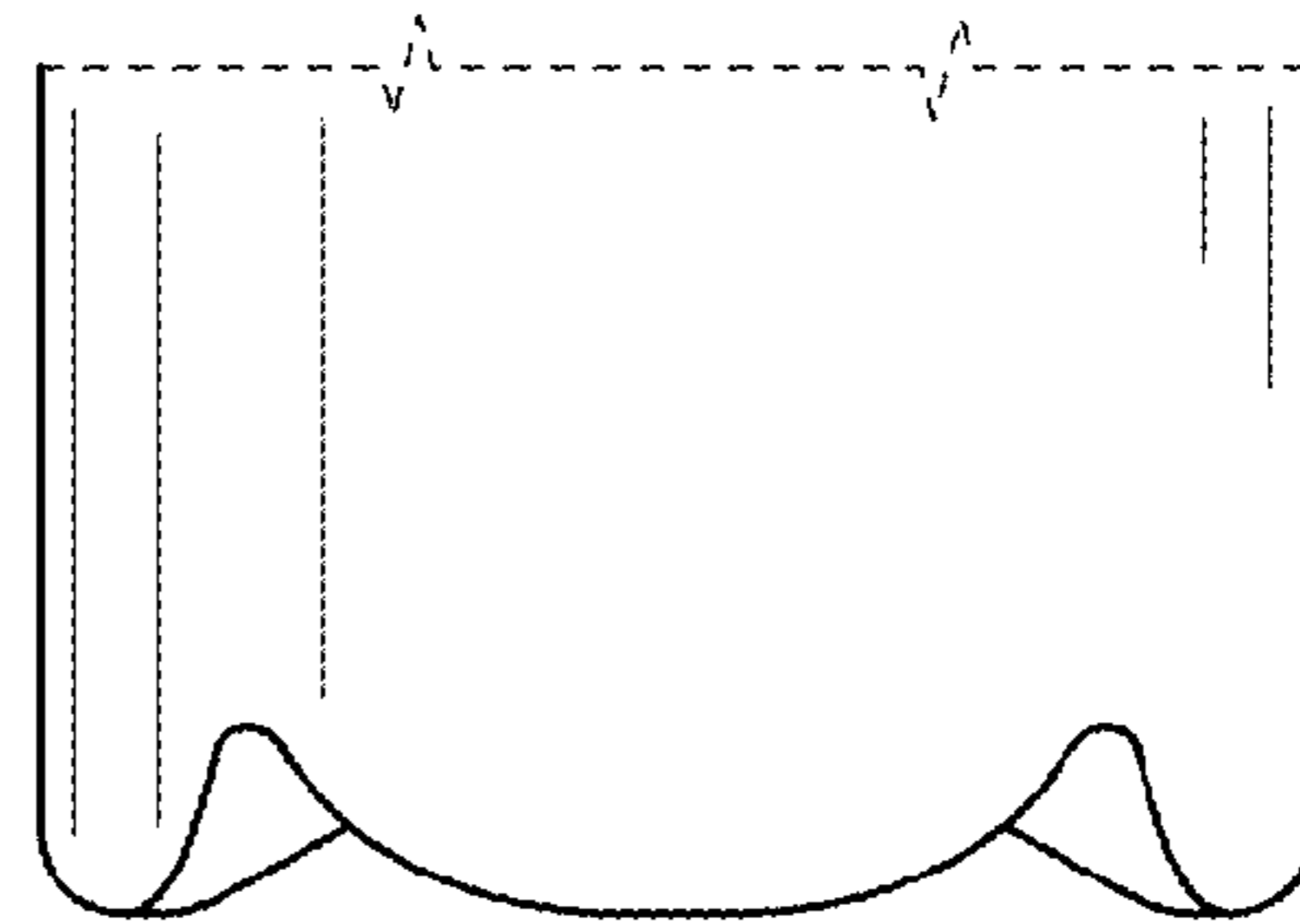


FIG. 2

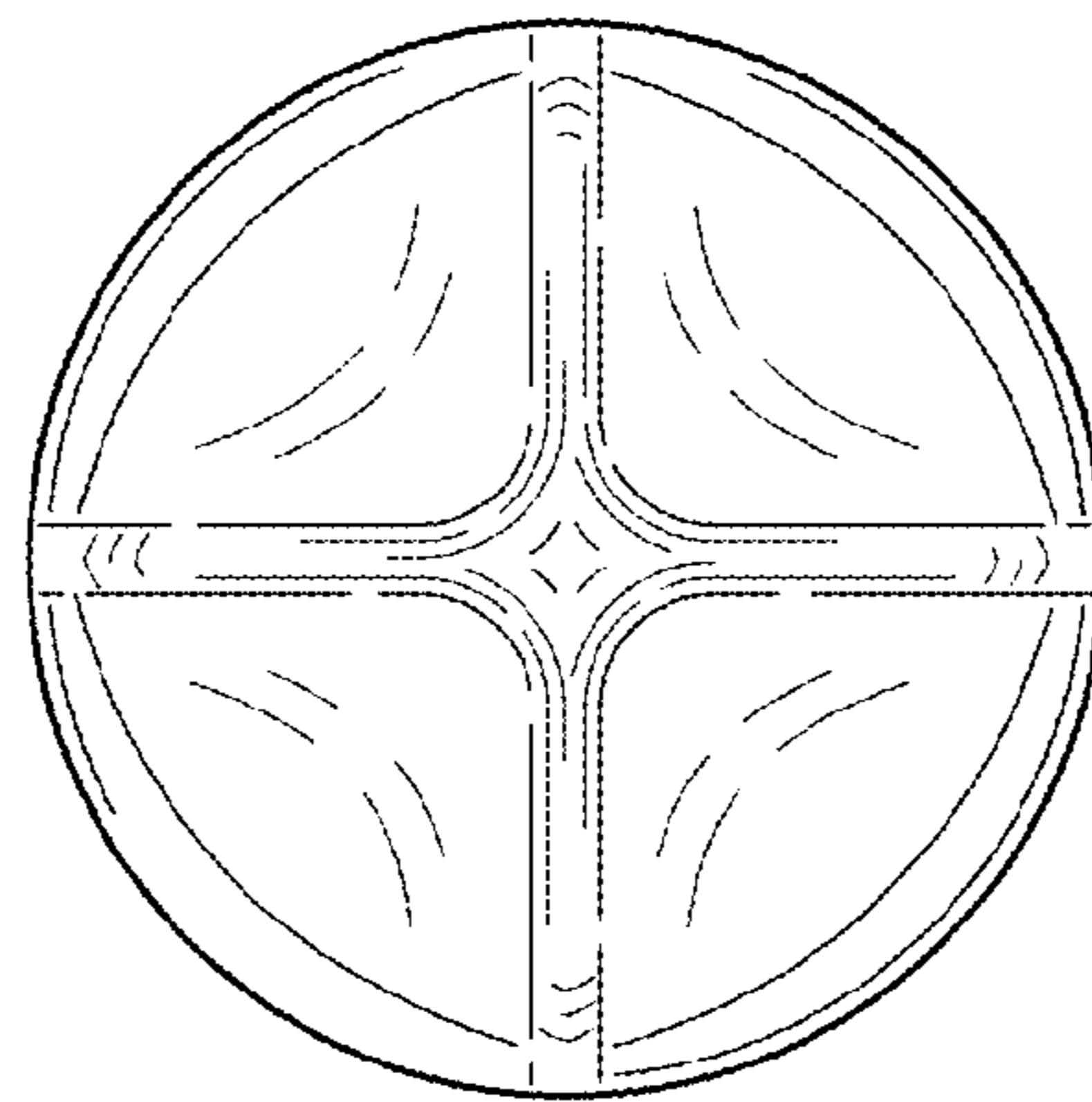


FIG. 3

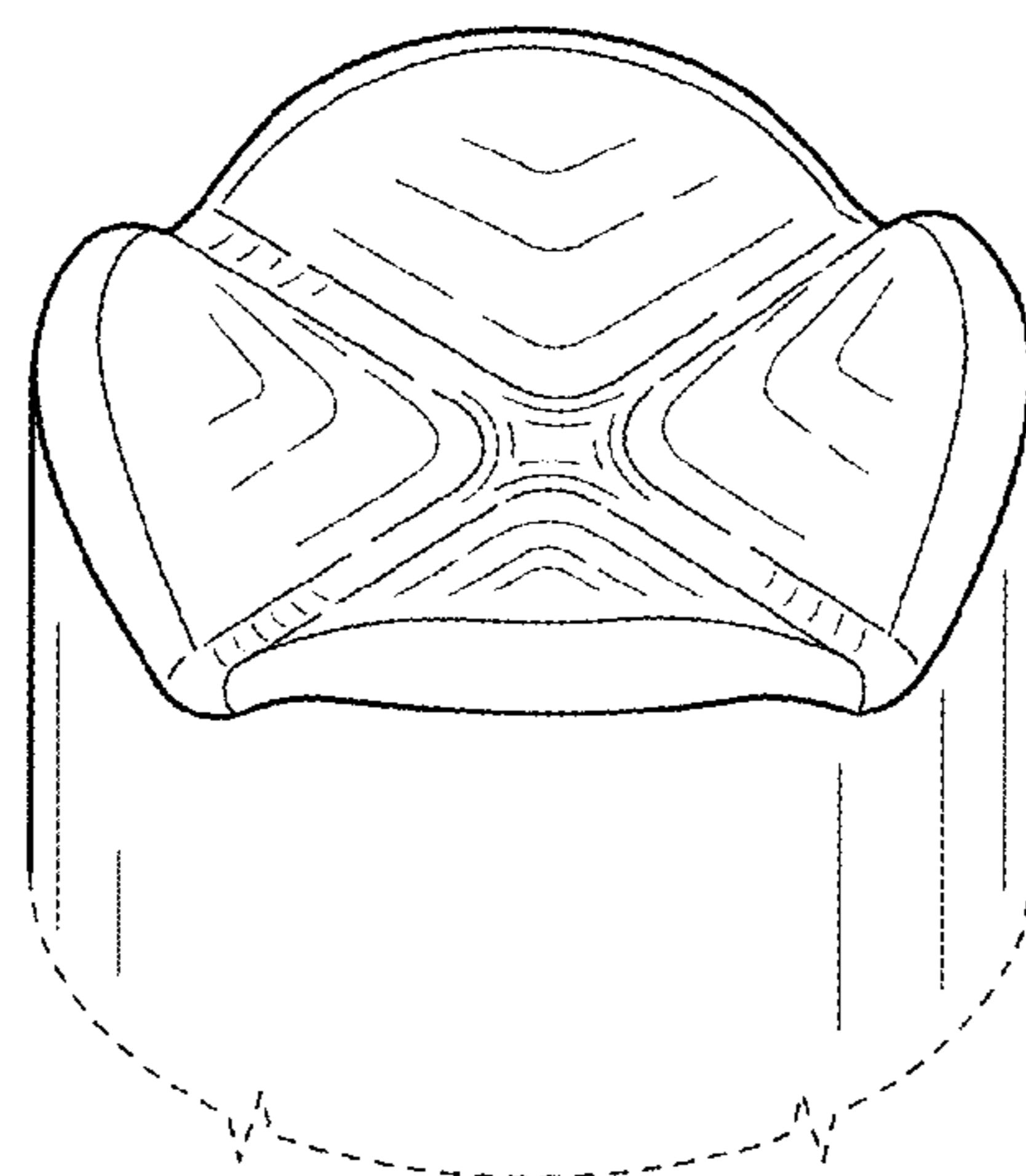


FIG. 4