

US00D792223S

(12) **United States Design Patent** (10) **Patent No.:** **US D792,223 S**
Kim (45) **Date of Patent:** **** Jul. 18, 2017**

(54) **COSMETIC CONTAINER**
(71) Applicant: **SANSUNG Life & Science Co., Ltd.**,
Ansan-si, Gyeonggi-do (KR)
(72) Inventor: **Jin Goo Kim**, Seoul (KR)
(73) Assignee: **SANSUNG LIFE & SCIENCE CO., LTD.**,
Ansan-si, Gyeonggi-Do (KR)
(**) Term: **15 Years**
(21) Appl. No.: **29/549,357**
(22) Filed: **Dec. 21, 2015**
(30) **Foreign Application Priority Data**

D97,935 S * 12/1935 Neumann-holste D28/76
2,076,551 A * 4/1937 Conner A45D 40/0068
215/12.1
D117,705 S * 11/1939 Abrams D3/264
D139,513 S * 11/1944 Derham D28/82
D142,517 S * 10/1945 Furman D9/556
3,620,399 A * 11/1971 Rapeaud B65D 11/16
215/12.1
D230,011 S * 1/1974 Toland D9/504
4,240,560 A * 12/1980 Carluccio B65D 11/02
215/12.1
D471,797 S * 3/2003 Guerrera D9/724
D520,373 S * 5/2006 Ortiz D9/556
D522,695 S * 6/2006 Desdoigts D28/82
D522,879 S * 6/2006 Chadfield D9/727
D547,661 S * 7/2007 Blasko D9/454
D555,835 S * 11/2007 Song D28/76
D721,270 S * 1/2015 Dittmer D9/430
(Continued)

Dec. 18, 2015 (KR) 30-2015-0064832
(51) **LOC (10) Cl.** **09-01**
(52) **U.S. Cl.**
USPC **D9/504**; D9/556; D9/558; D9/454
(58) **Field of Classification Search**
USPC D9/500–505, 516, 529, 530, 537, 538,
D9/541, 549–559, 569, 570, 774, 776,
D9/692, 694, 723, 728, 745, 746;
D28/76, 77, 82, 91, 91.1
CPC A45D 33/00; A45D 33/003; A45D 33/006;
A45D 33/02; A45D 33/025; A45D 33/18;
A45D 33/22; A45D 34/00; A45D
2034/007; A45D 34/02; A45D 40/40;
A45D 40/0068; A45D 40/0075; A45D
2040/12; A45D 2200/05; A45D 2200/051;
A45D 2200/052; A45D 2200/053
See application file for complete search history.

(56) **References Cited**
U.S. PATENT DOCUMENTS
1,999,242 A * 4/1935 Lederfeind A45D 33/006
132/299
D95,889 S * 6/1935 Snyder D28/91

FOREIGN PATENT DOCUMENTS

CN 302061409 * 9/2012
KR 300852817.0000 * 5/2016

Primary Examiner — Catherine Tuttle
Assistant Examiner — Mary Malley
(74) *Attorney, Agent, or Firm* — Lucas & Mercanti, LLP

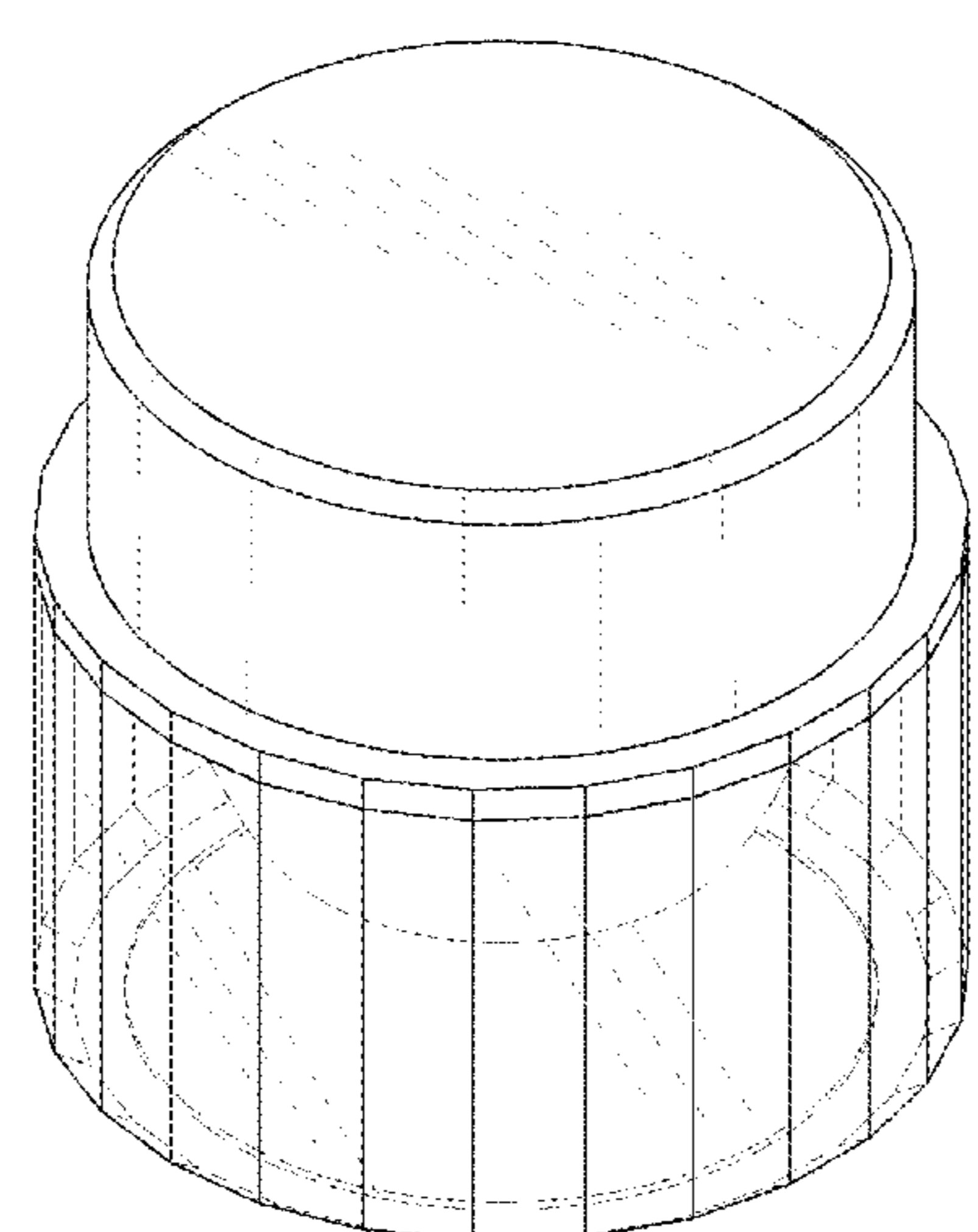
(57) **CLAIM**

The ornamental design for the cosmetic container, as shown and described.

DESCRIPTION

FIG. 1 is a front isometric view of a cosmetic container showing my new design;
FIG. 2 is a front view thereof;
FIG. 3 is a rear view thereof;
FIG. 4 is a left side view thereof;
FIG. 5 is a right side view thereof;
FIG. 6 is a top view thereof; and,
FIG. 7 is a bottom view thereof.

1 Claim, 7 Drawing Sheets



(56)

References Cited

U.S. PATENT DOCUMENTS

D741,603 S * 10/2015 Mehta D4/116
D742,593 S * 11/2015 Corey D28/83

* cited by examiner

FIGURE 1

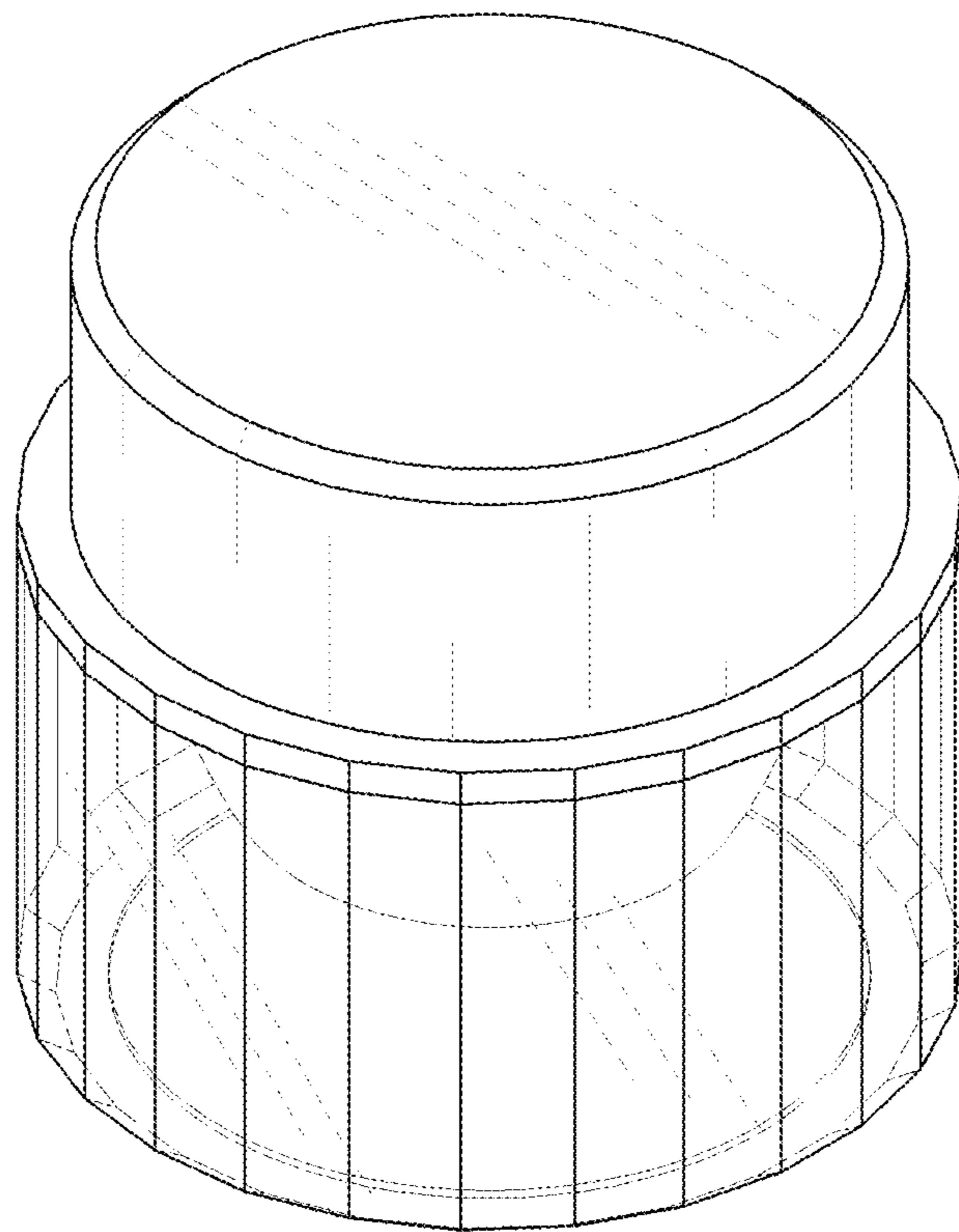


FIGURE 2

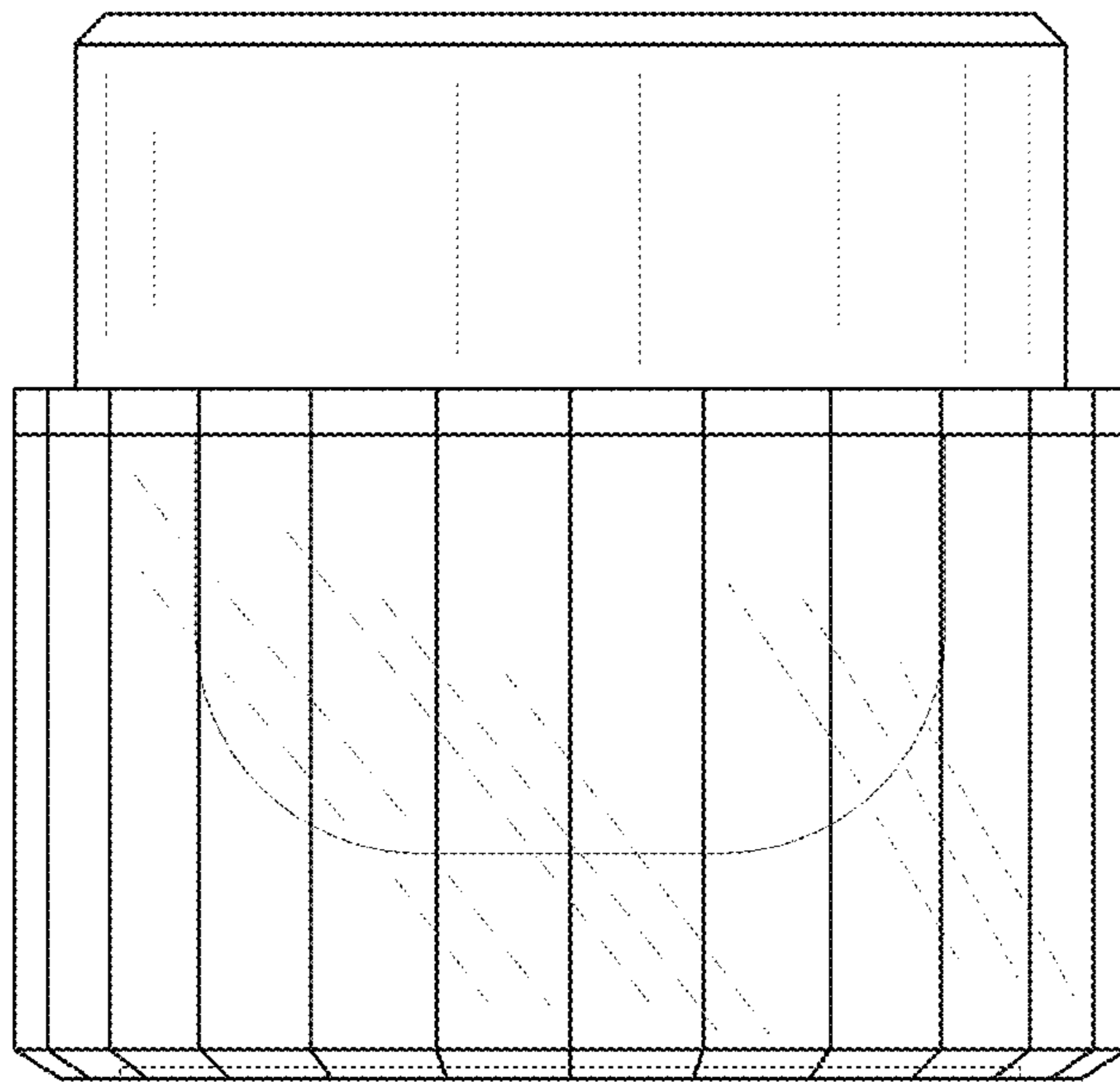


FIGURE 3

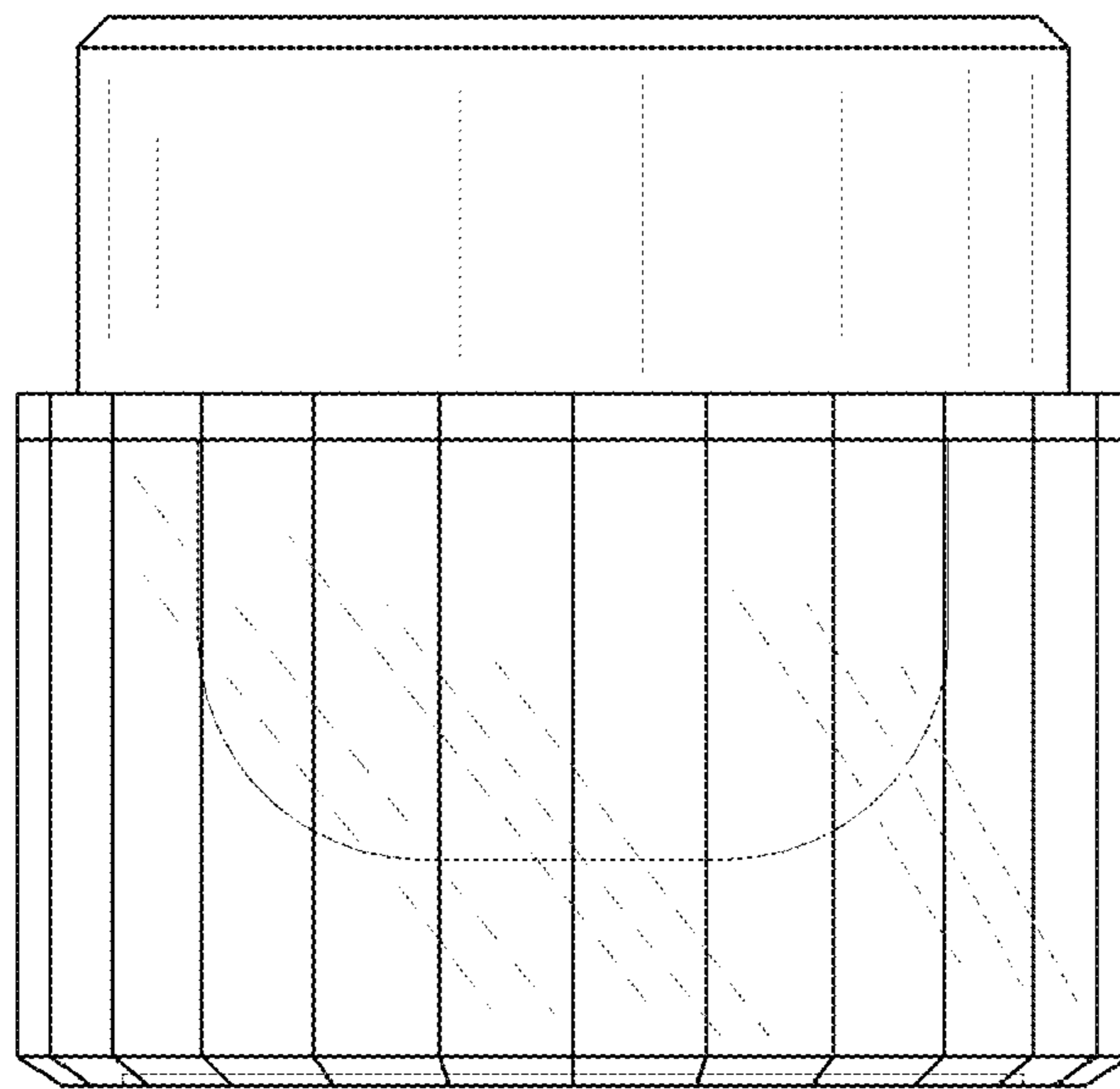


FIGURE 4

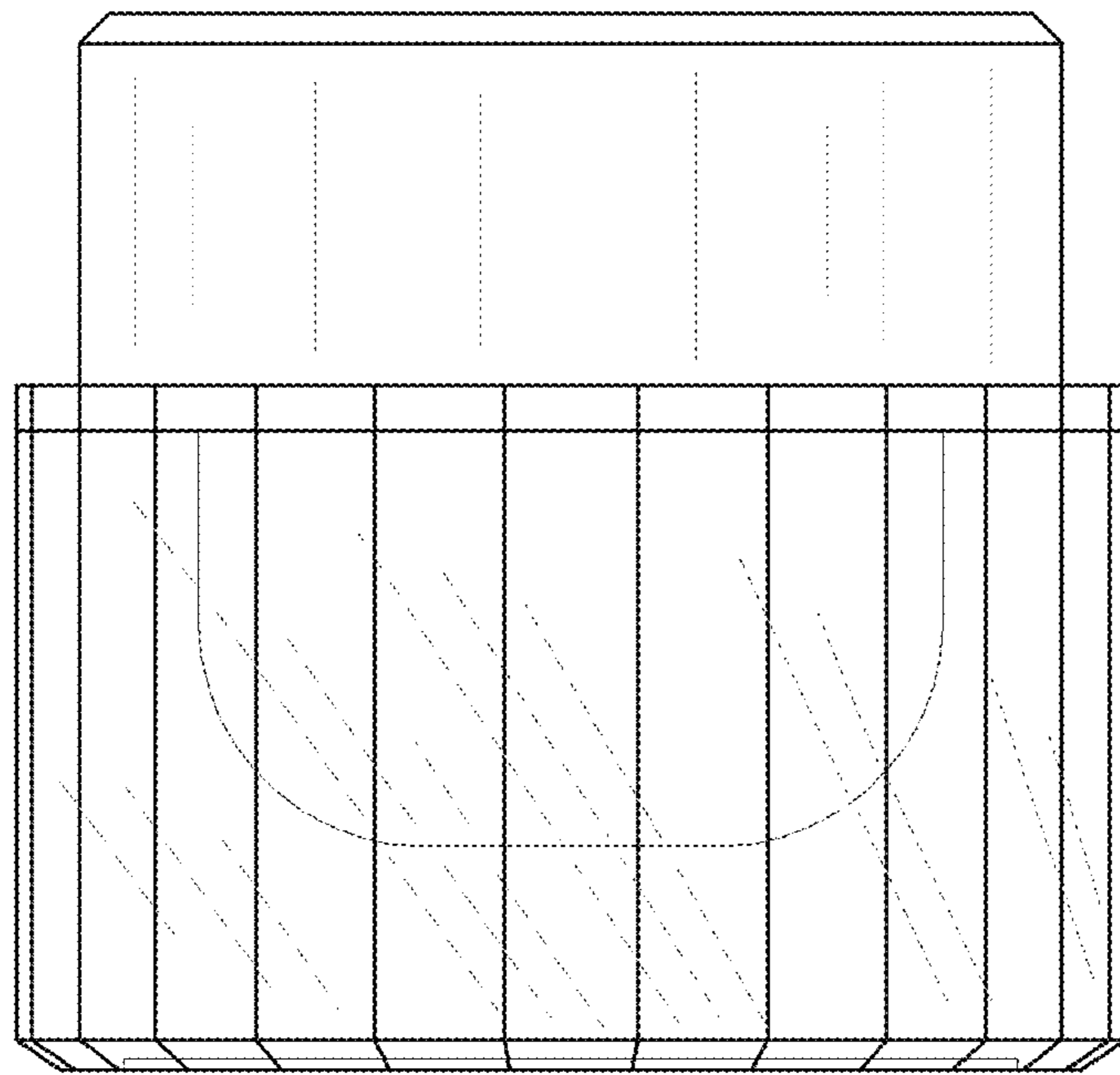


FIGURE 5

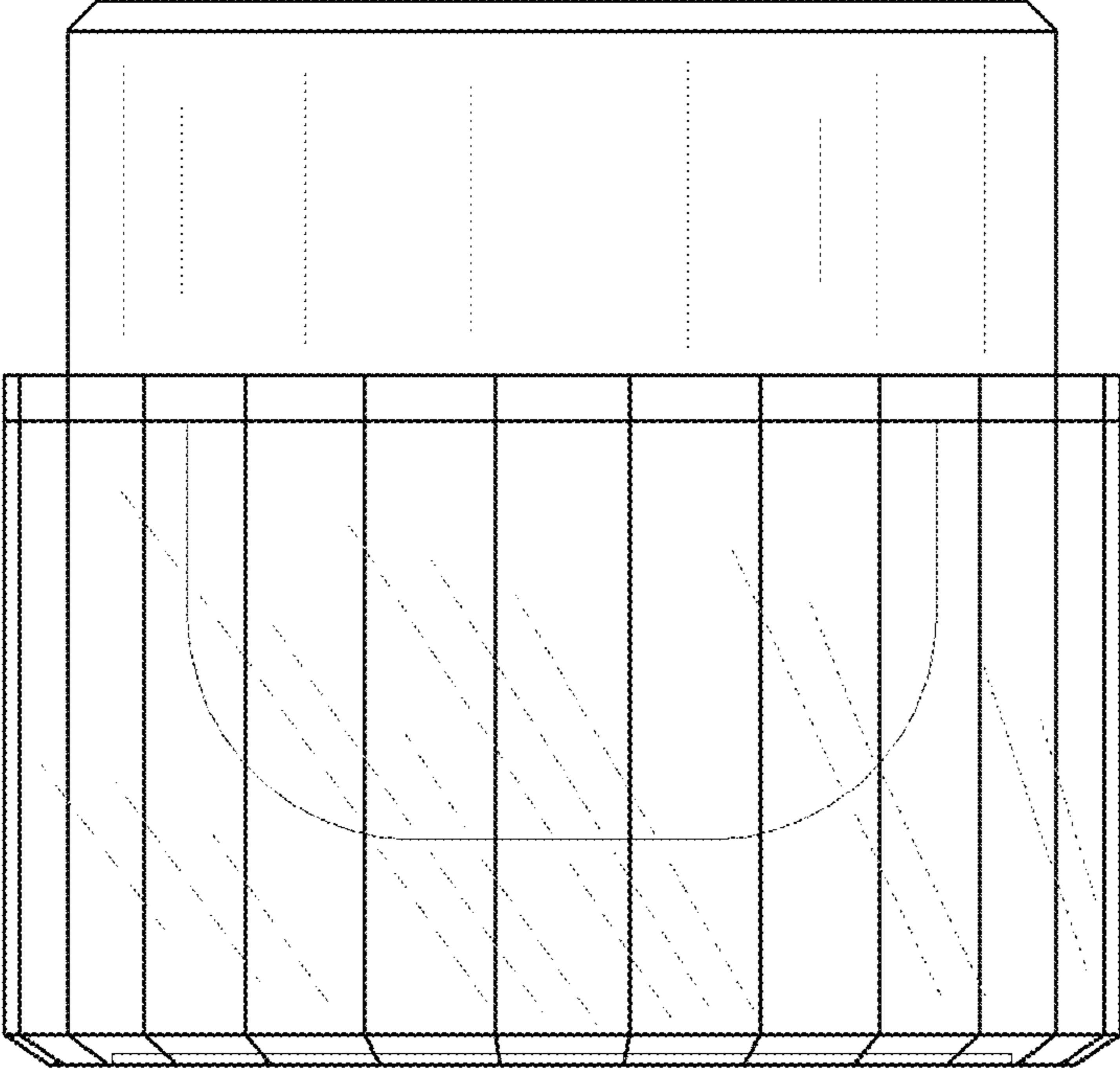


FIGURE 6

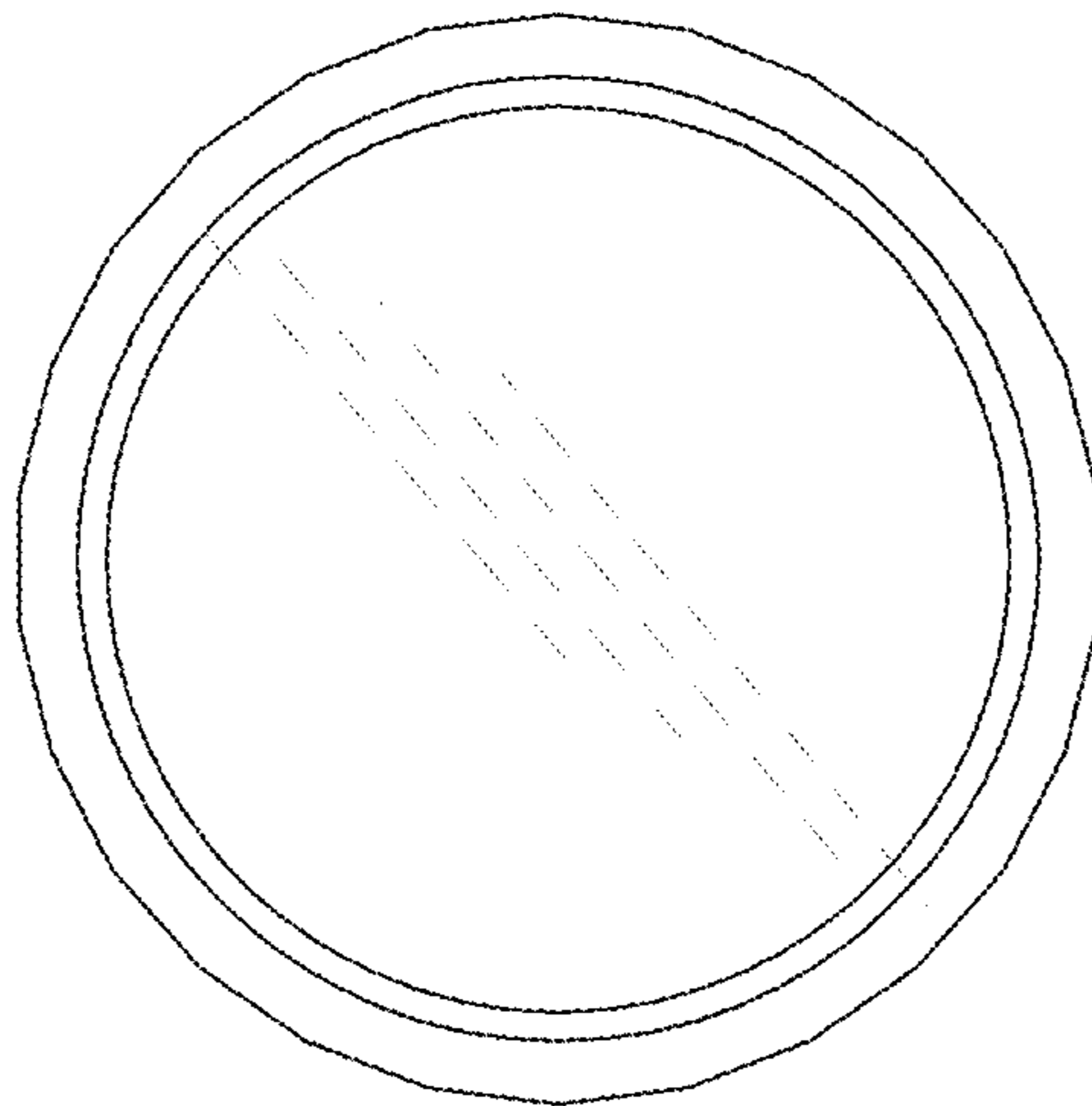


FIGURE 7

