



US00D792222S

(12) **United States Design Patent**
Sill et al.

(10) **Patent No.:** **US D792,222 S**

(45) **Date of Patent:** **** Jul. 18, 2017**

(54) **COMPARTMENTED CARTON INSERT**

(71) Applicant: **Inno-Pak, LLC**, Delaware, OH (US)

(72) Inventors: **Jonathan D. Sill**, Powell, OH (US);
Steven A. Mayer, Indianapolis, IN (US)

(73) Assignee: **Inno-Pak, LLC**, Delaware, OH (US)

(**) Term: **15 Years**

(21) Appl. No.: **29/569,256**

(22) Filed: **Jun. 24, 2016**

(51) **LOC (10) Cl.** **09-07**

(52) **U.S. Cl.**
USPC **D9/456**

(58) **Field of Classification Search**
USPC D9/414-419, 421-425, 427, 429,
D9/430-435, 455-457, 499
CPC B65D 71/00; B65D 5/503; B65D 5/36;
B65D 5/20

See application file for complete search history.

(56) **References Cited**

U.S. PATENT DOCUMENTS

D183,716 S *	10/1958	Burns	D9/425
D232,524 S *	8/1974	Schy	D9/417
D367,172 S	2/1996	Brightbill et al.		
D371,940 S *	7/1996	Krupa	D30/130
D398,526 S *	9/1998	Schwarz	D9/425
D448,130 S	9/2001	Wagner		
D461,406 S *	8/2002	Iacovelli	D9/432
D484,364 S	12/2003	Bailey et al.		
D512,836 S *	12/2005	Marnell, II	D3/313
D595,155 S	6/2009	Larson		
D596,903 S *	7/2009	Willis	D7/553.2
D599,611 S *	9/2009	Hoekstra	D7/354
D608,153 S *	1/2010	Furlong	D7/602
D633,341 S *	3/2011	Smyers	D7/553.3
D643,311 S	8/2011	Meyers		

D688,921 S *	9/2013	Miros	D7/629
D695,107 S *	12/2013	Clements	D9/425
D764,276 S *	8/2016	Das	D9/425

OTHER PUBLICATIONS

Youtube. Inno-Pak Rigid Microwavable Take Out Containers. Sep. 17, 2014 [earliest online date], [site visited Feb. 2, 2017]. Available from Internet, <URL:https://www.youtube.com/watch?time_continue=28&v=WolGFg_sHskY>.*

(Continued)

Primary Examiner — Robert M Spear

Assistant Examiner — Darcey E Heflin

(74) *Attorney, Agent, or Firm* — Ward and Smith, P.A.;
Ryan K. Simmons

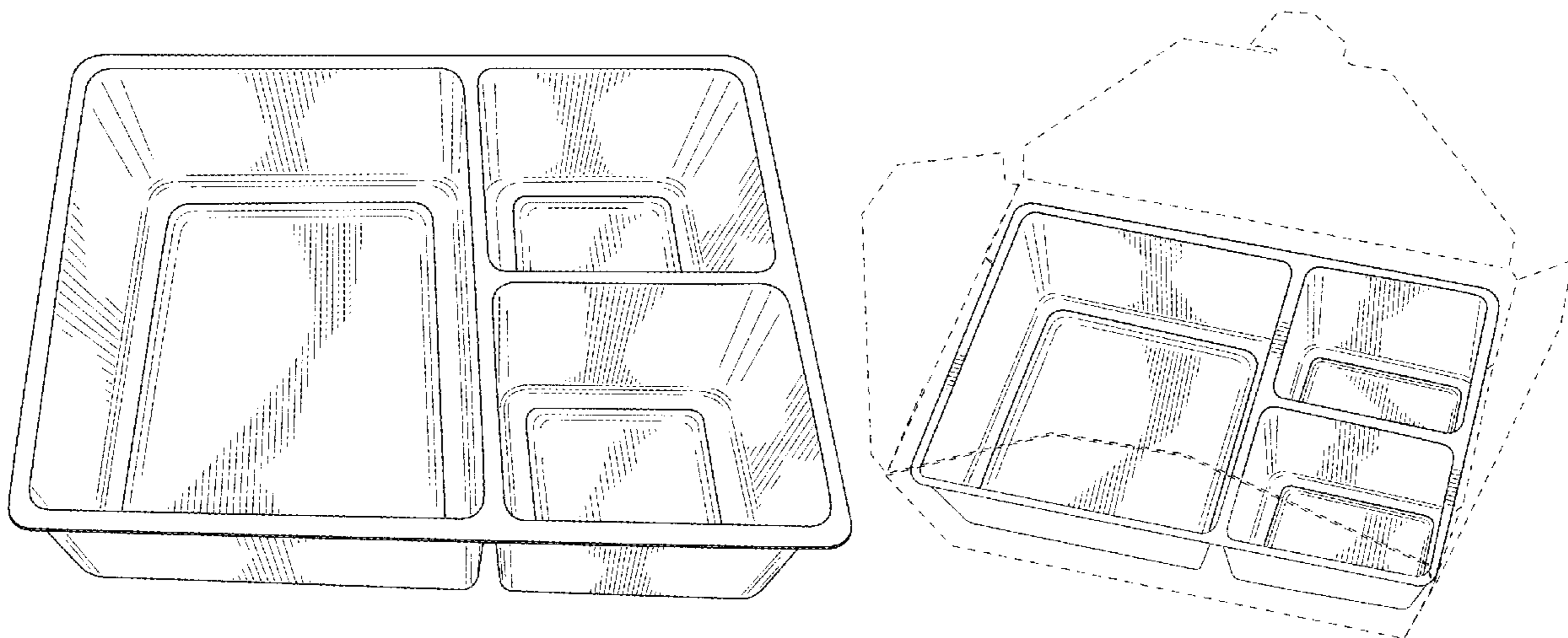
(57) **CLAIM**

The ornamental design for a compartmented carton insert, as shown and described.

DESCRIPTION

FIG. 1 is a perspective view of a compartmented carton insert showing a new design; FIG. 2 is a front view thereof; FIG. 3 is a rear view thereof; FIG. 4 is a left side view thereof; FIG. 5 is a right side view thereof; FIG. 6 is a top plan view thereof; FIG. 7 is a bottom plan view thereof; FIG. 8 is another perspective view thereof showing the compartmented carton insert in another configuration; and, FIG. 9 is another top view thereof showing the compartmented carton insert in another configuration. The dashed lines are included for the purpose of illustrating portions of the compartmented carton insert that form no part of the claimed design.

1 Claim, 6 Drawing Sheets



(56)

References Cited

OTHER PUBLICATIONS

Inno-Pak. Innobox Edge Insert. Oct. 25, 2016 [earliest online date], [site visited Feb. 2, 2017]. Available from Internet, <URL:<http://www.innopak.com/product/food-service/take-out-packaging/innobox-edge-insert/>>.*

Flex Active Sports. Buy 3-Compartment Food Prep Containers. Jan. 5, 2016 [earliest online date], [site visited Apr. 17, 2017]. Available from Internet, <URL:<http://flexactivesports.com/buy-3-compartment-food-prep-containers/>>.*

Webstaurant Store. Cambro 9113CW414 Camwear Teal 9" x 11" 3 Compartment Meal Delivery Tray. Mar. 14, 2010 [earliest online date], [site visited Apr. 17, 2017]. Available from Internet, <URL:<http://www.webstaurantstore.com/cambro-9113cw414-camwear-teal-9-x-11-3-compartment-meal-delivery-tray-24-case/2149113CWTE.html>>.*

Alibaba.com. Black Disposable Divided Food Trays. Oct. 17, 2013 [earliest on line date], [site visited Apr. 3, 2017]. Available from Internet, <URL:<https://thai.alibaba.com/product-detail/black-disposable-divided-food-trays-plastic-1238104653.html>>.

* cited by examiner

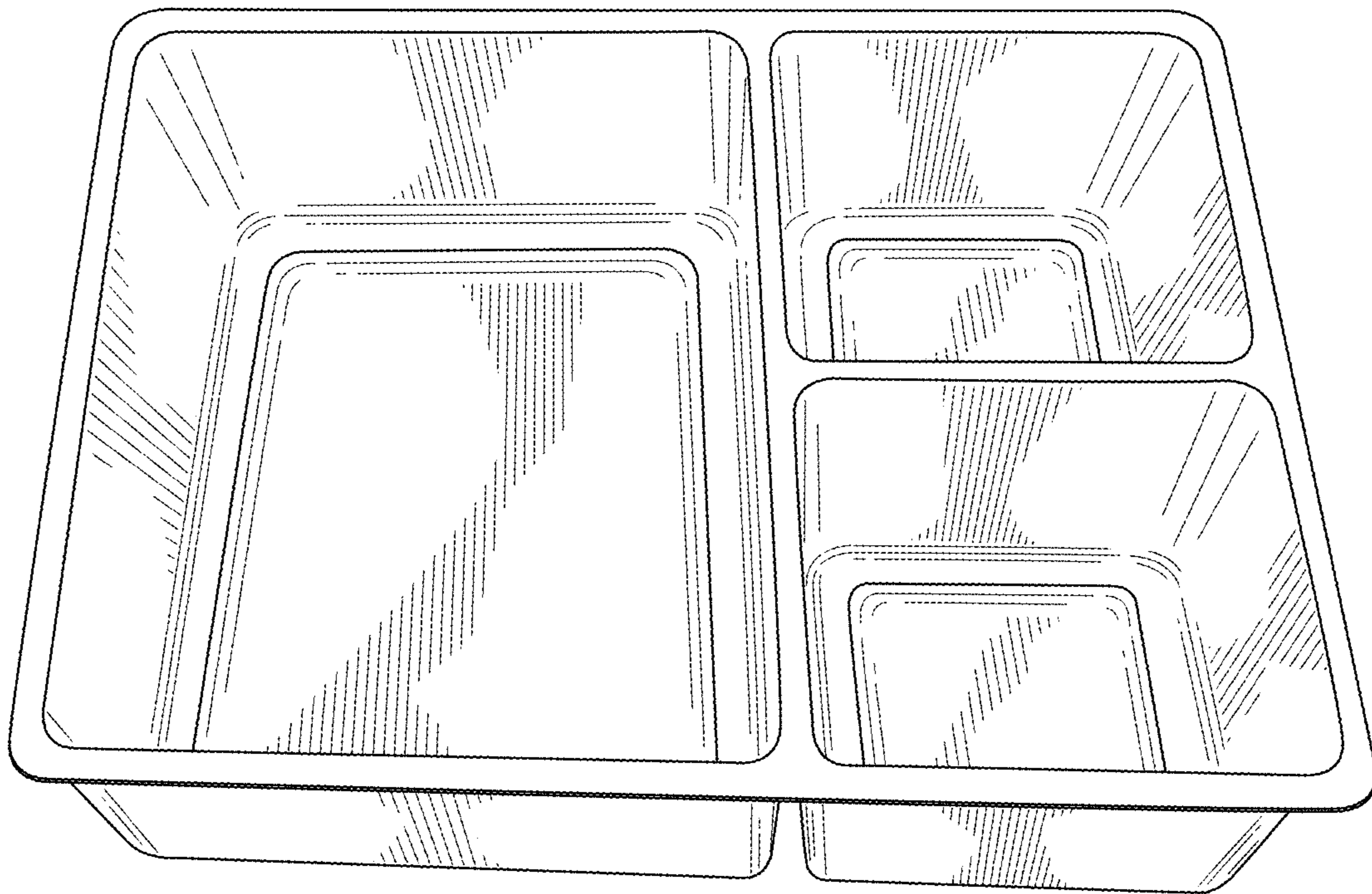


FIG. 1

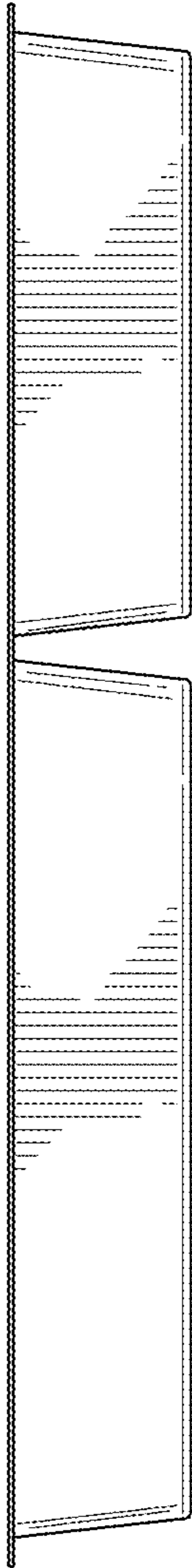


FIG. 2

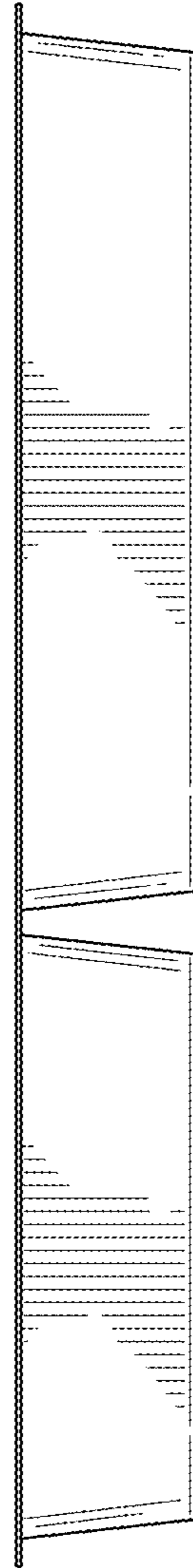


FIG. 3

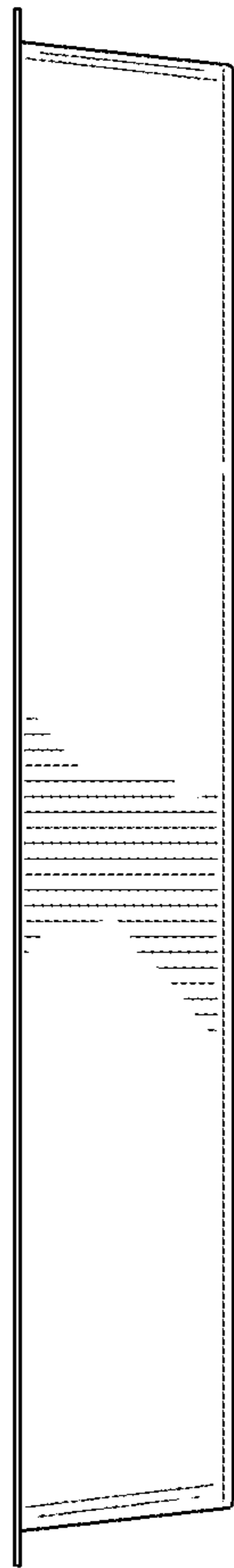


FIG. 4

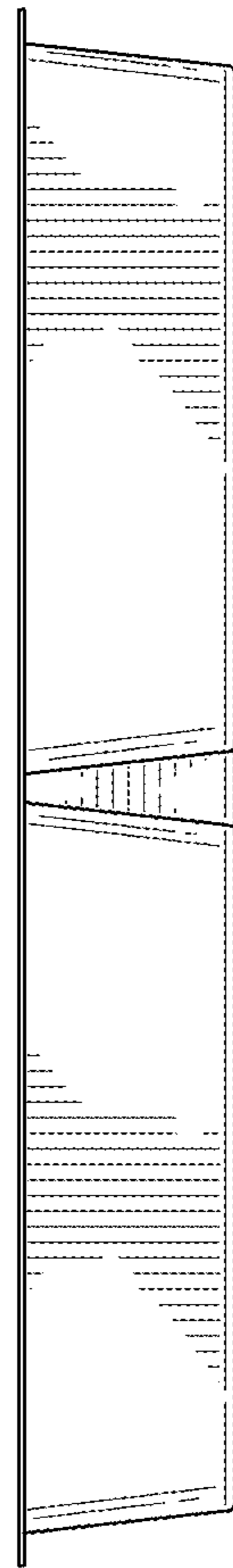


FIG. 5

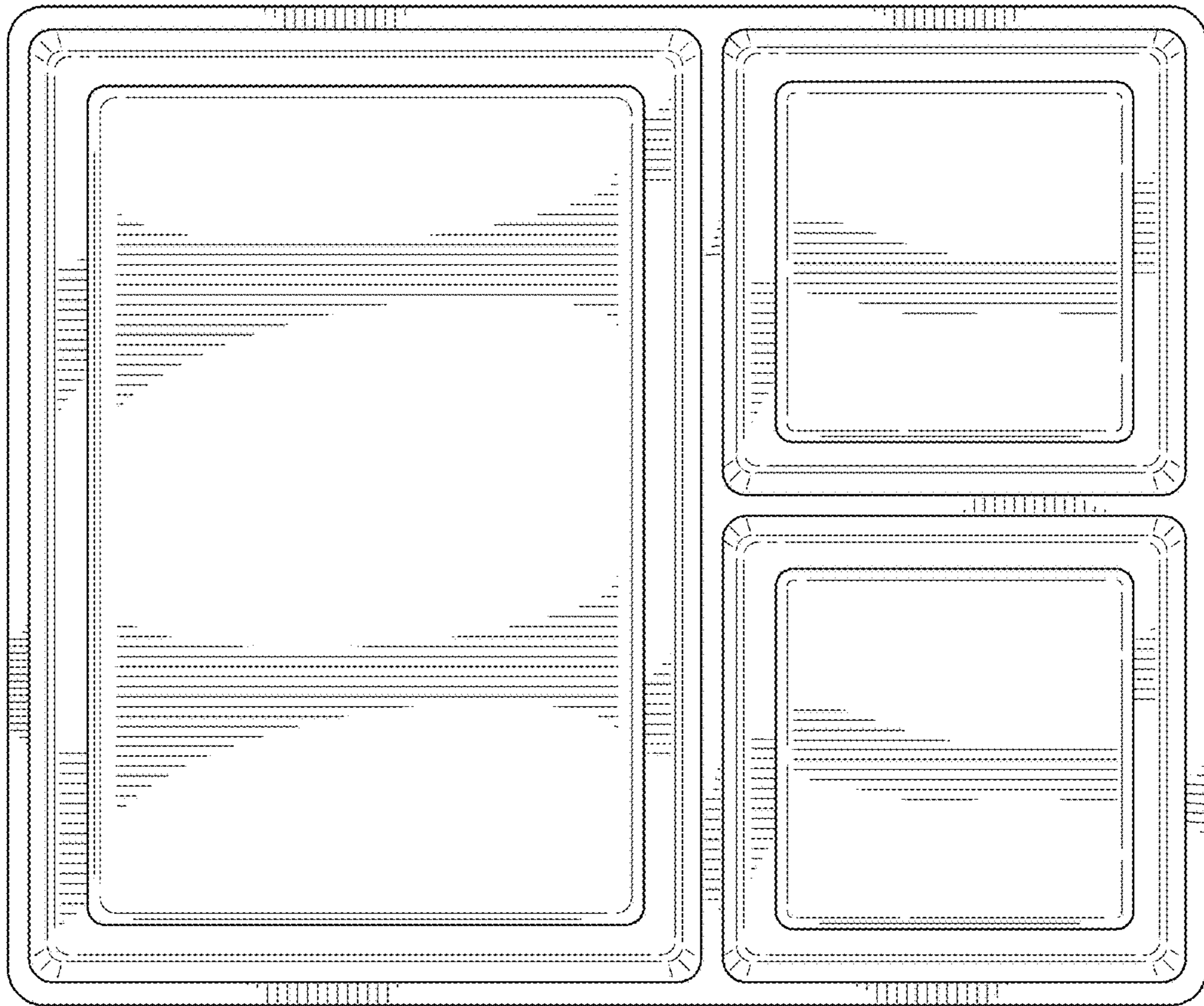


FIG. 6

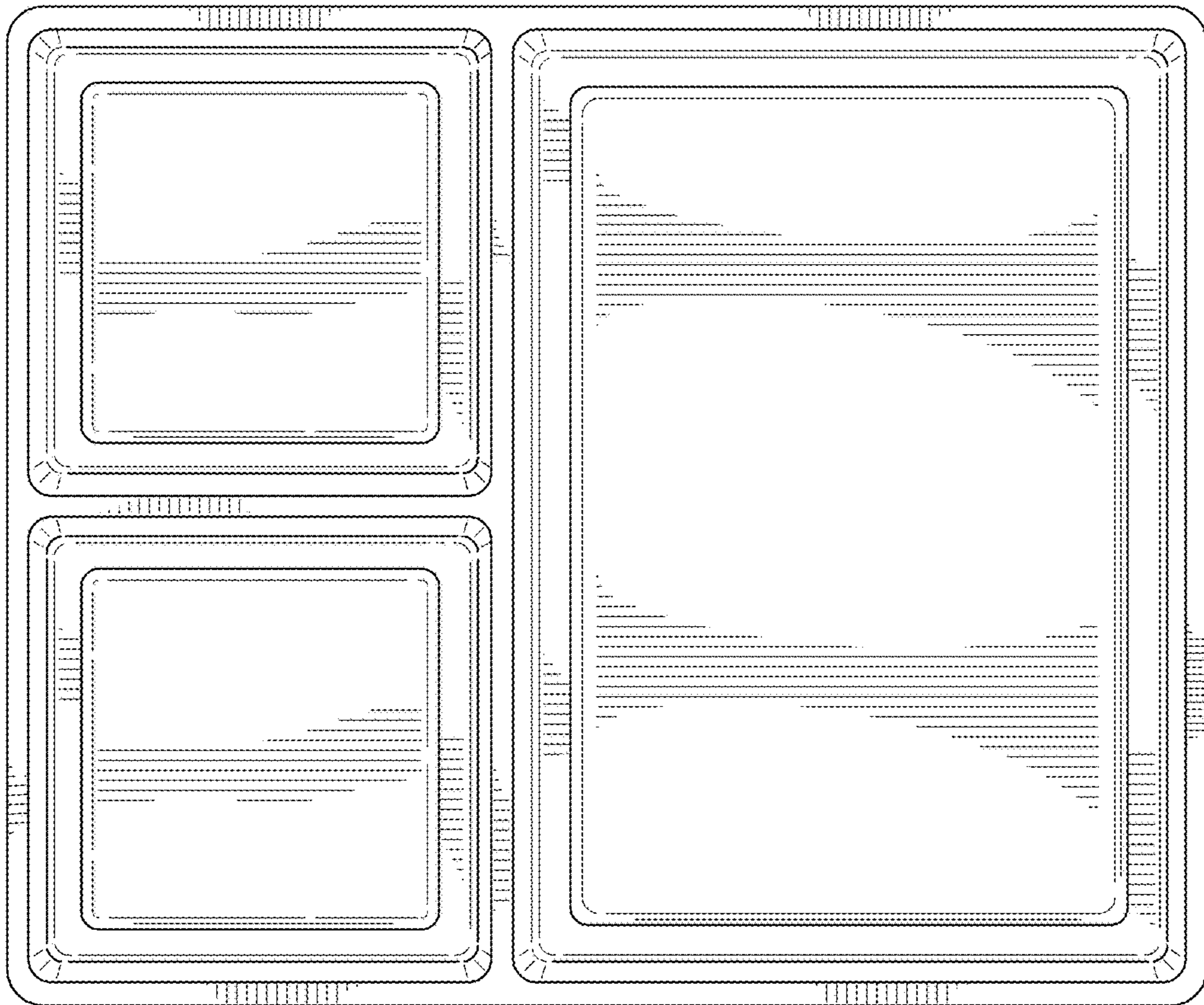


FIG. 7

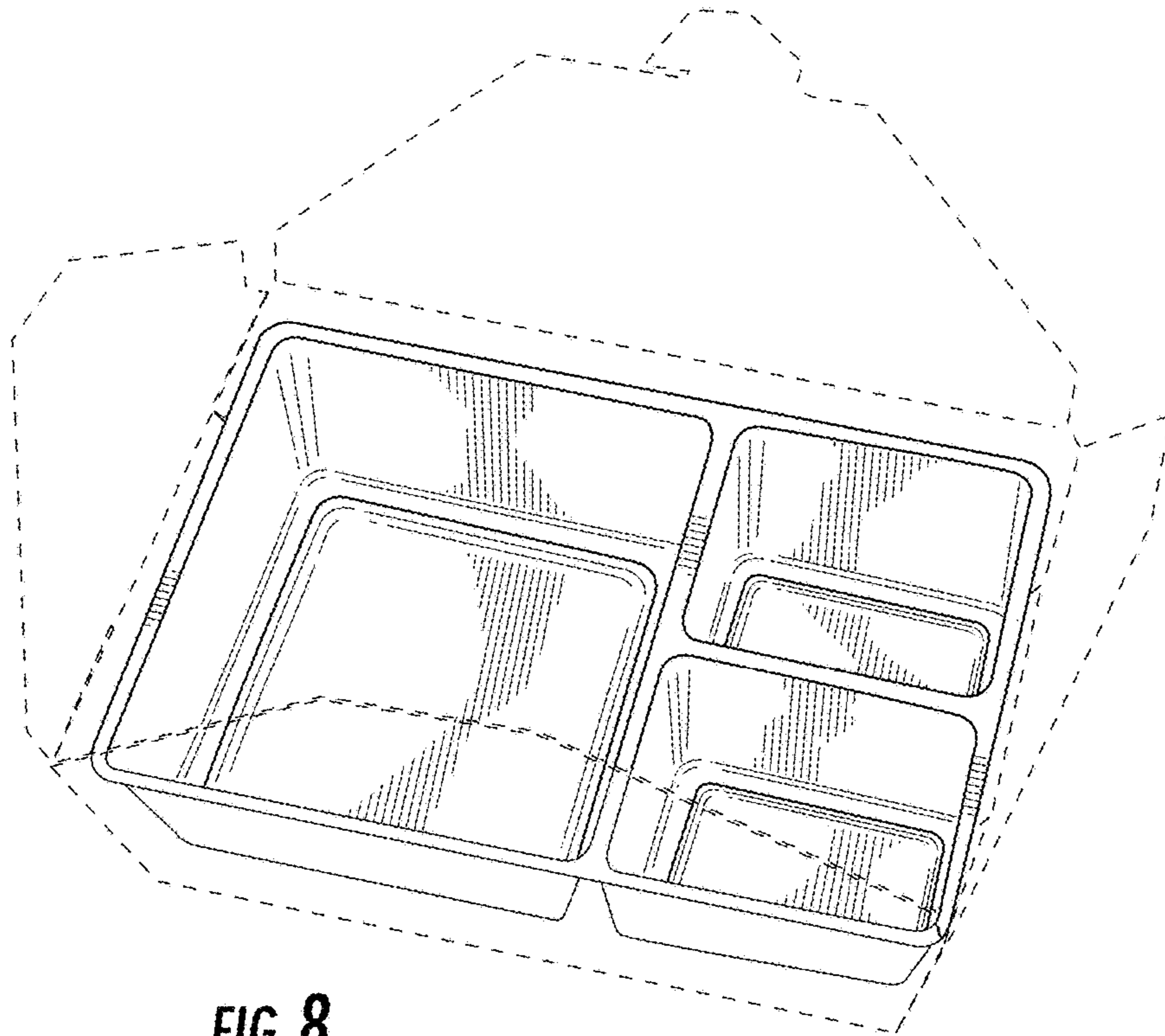


FIG. 8

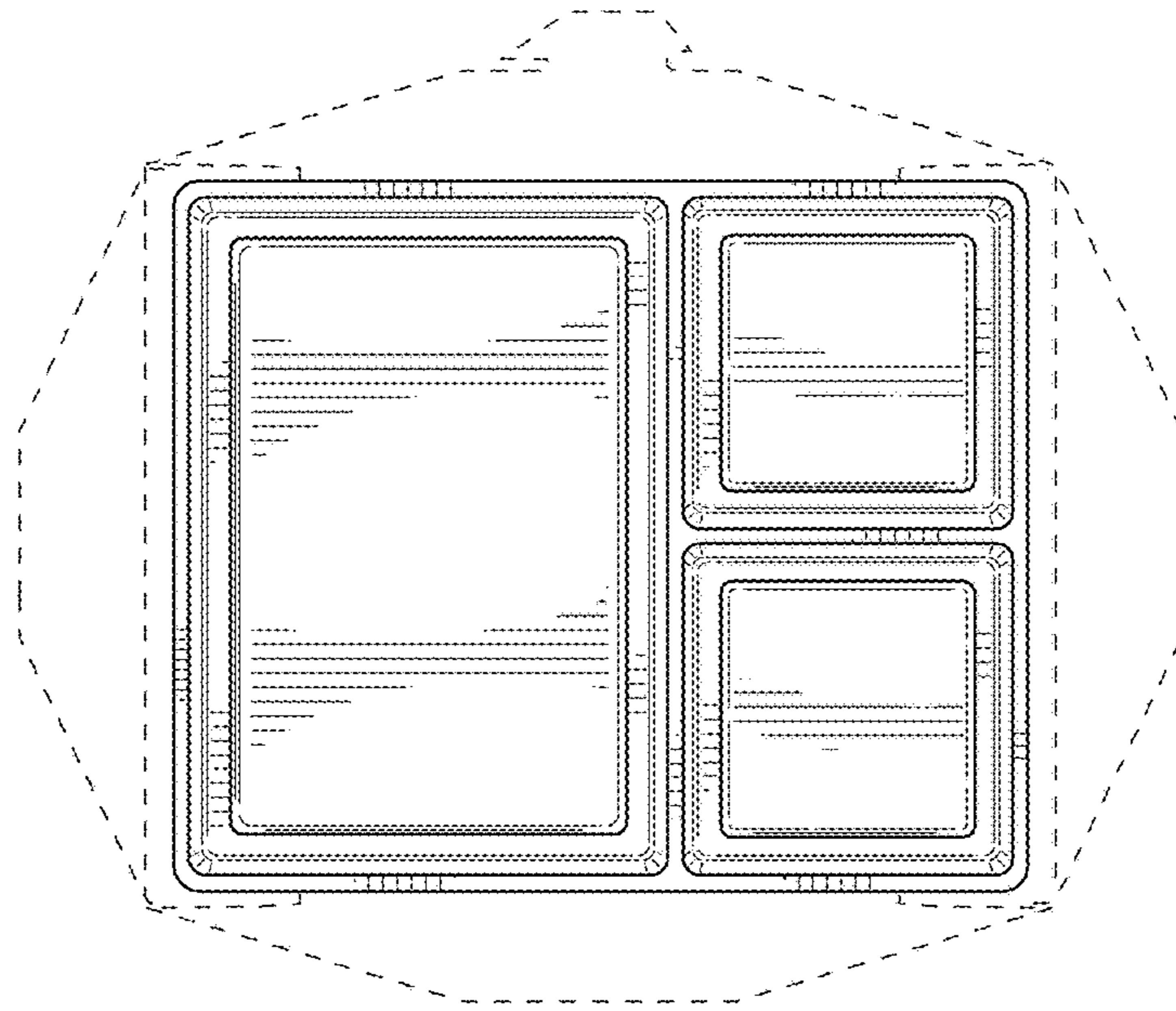


FIG. 9