



US00D792219S

(12) **United States Design Patent**  
**Bueno Nunez**

(10) **Patent No.:** **US D792,219 S**  
(45) **Date of Patent:** **\*\* Jul. 18, 2017**

- (54) **LID**
- (71) Applicant: **Agua Farma Plasticos, S.A de C.V., Jalisco (MX)**
- (72) Inventor: **David Bueno Nunez, Jalisco (MX)**
- (73) Assignee: **AGUA FARMA PLASTICOS, S.A. DE C.V., Jalisco (MX)**
- (\*\*) Term: **15 Years**
- (21) Appl. No.: **29/546,480**
- (22) Filed: **Nov. 23, 2015**
- (51) **LOC (10) Cl.** ..... **09-07**
- (52) **U.S. Cl.**  
USPC ..... **D9/453**
- (58) **Field of Classification Search**  
USPC ..... D3/318; D7/396.2, 398; D9/434, 435, D9/436, 438, 440, 443, 444, 445, 447, D9/449, 452, 453, 454, 499  
CPC ..... B65D 41/34; B65D 41/3438; B65D 41/0471; B65D 47/122  
See application file for complete search history.

- D661,984 S \* 6/2012 Jackel ..... D9/449
- D671,834 S \* 12/2012 Chasteen ..... D9/453
- D681,465 S \* 5/2013 Cox ..... D9/441
- D723,370 S \* 3/2015 Medlin ..... D9/453
- D723,919 S \* 3/2015 Taber ..... D9/438
- D762,115 S \* 7/2016 Corvaglia ..... D9/443
- 2016/0332783 A1 \* 11/2016 Kim ..... B65D 53/02

**OTHER PUBLICATIONS**

Candle Soylutions. Metal Mason Jar Lids. 2001 [earliest online date], [site visited Dec. 6, 2016]. Available from Internet, <URL:http://candlesoylutions.com/closeup.asp?cid=13&pid=1161&offset=0>.\*

\* cited by examiner

*Primary Examiner* — Robert M Spear  
*Assistant Examiner* — Darcey E Hefflin  
(74) *Attorney, Agent, or Firm* — Lucas & Mercanti, LLP

(57) **CLAIM**

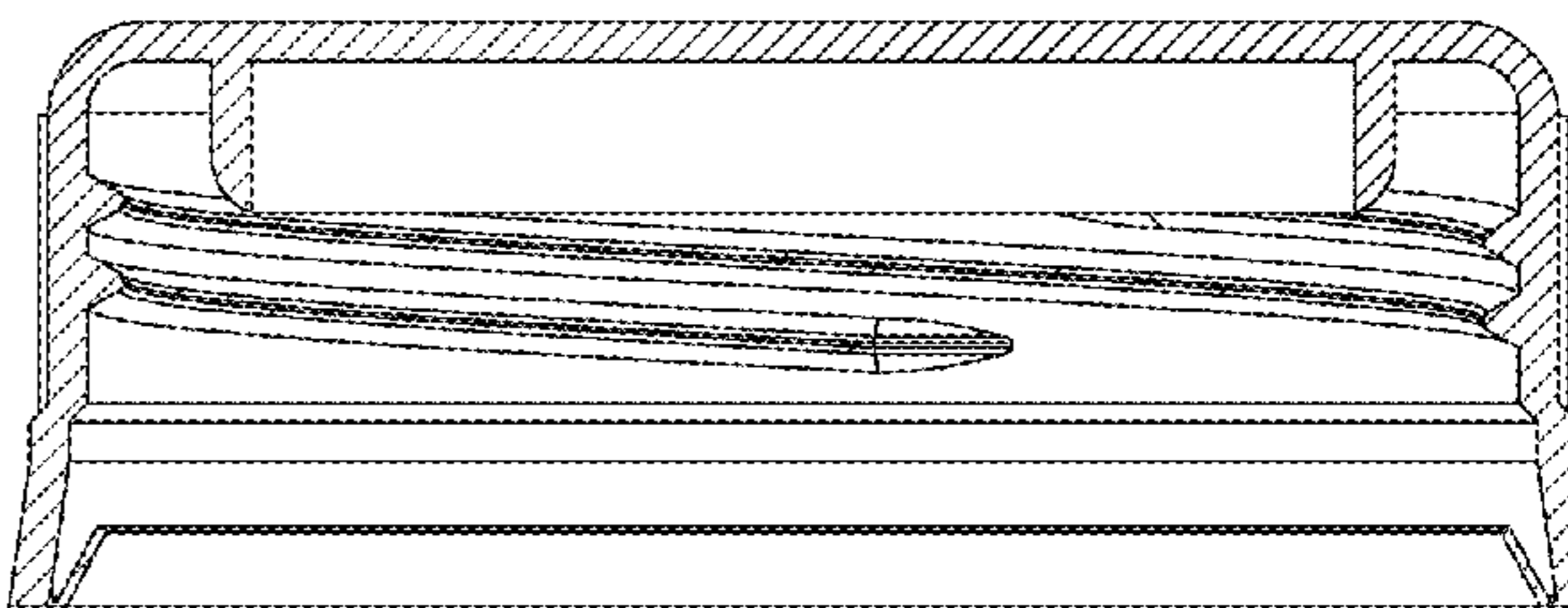
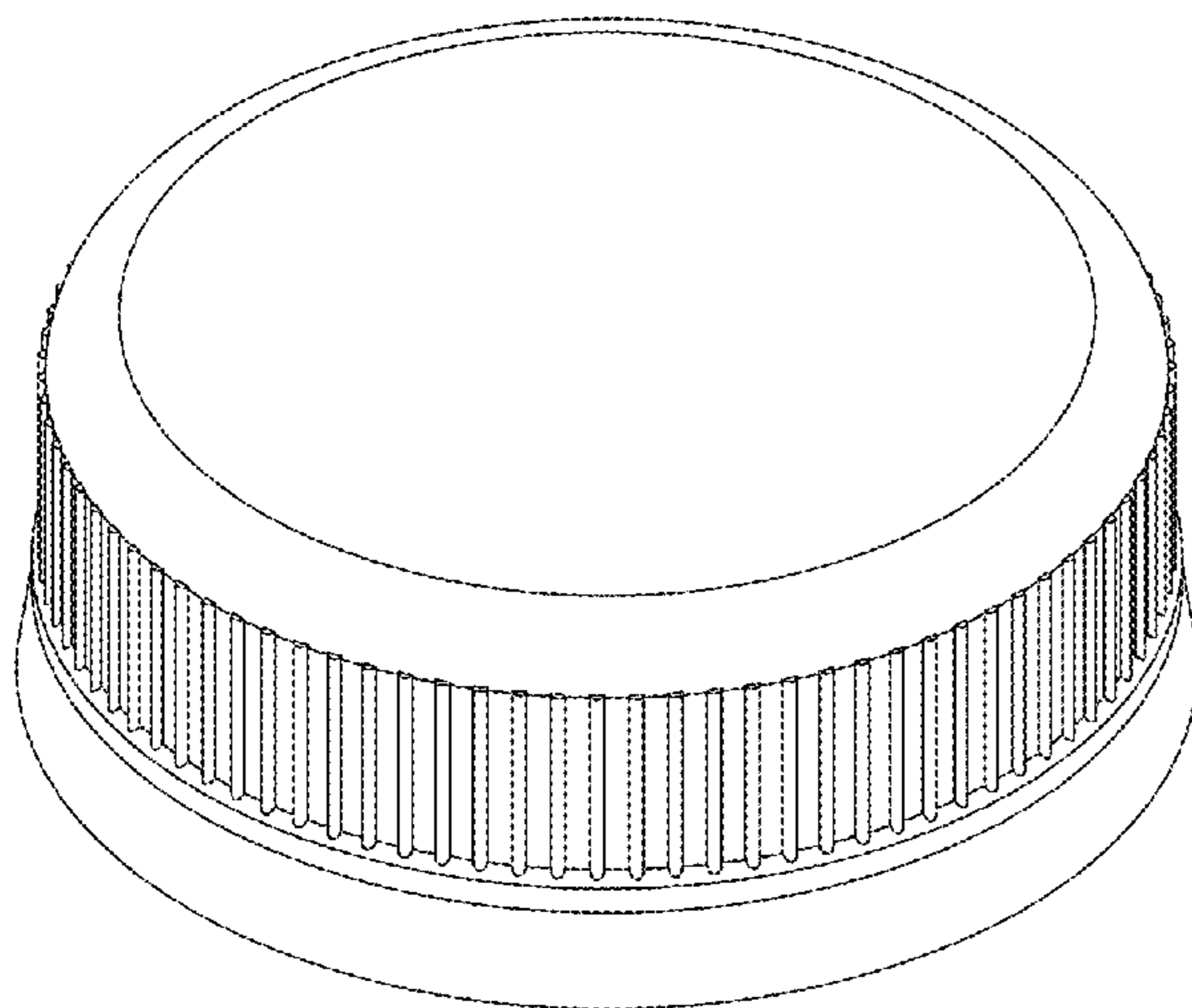
The ornamental design for a lid, as shown and described.

**DESCRIPTION**

FIG. 1 is a front view of a lid;  
FIG. 2 is a top view thereof;  
FIG. 3 is a bottom view thereof;  
FIG. 4 is a right side view thereof;  
FIG. 5 is a left side view thereof  
FIG. 6 is a perspective top view thereof; and,  
FIG. 7 is a cross section view thereof.

**1 Claim, 7 Drawing Sheets**

- (56) **References Cited**  
**U.S. PATENT DOCUMENTS**  
D113,332 S \* 2/1939 Piluso ..... D9/453  
D358,769 S \* 5/1995 Luch ..... D9/438  
D359,685 S \* 6/1995 Luch ..... D9/438  
D513,585 S \* 1/2006 Biesecker ..... D9/449  
D606,864 S \* 12/2009 Robinson ..... D9/453  
D632,958 S \* 2/2011 Fuchs ..... D9/453



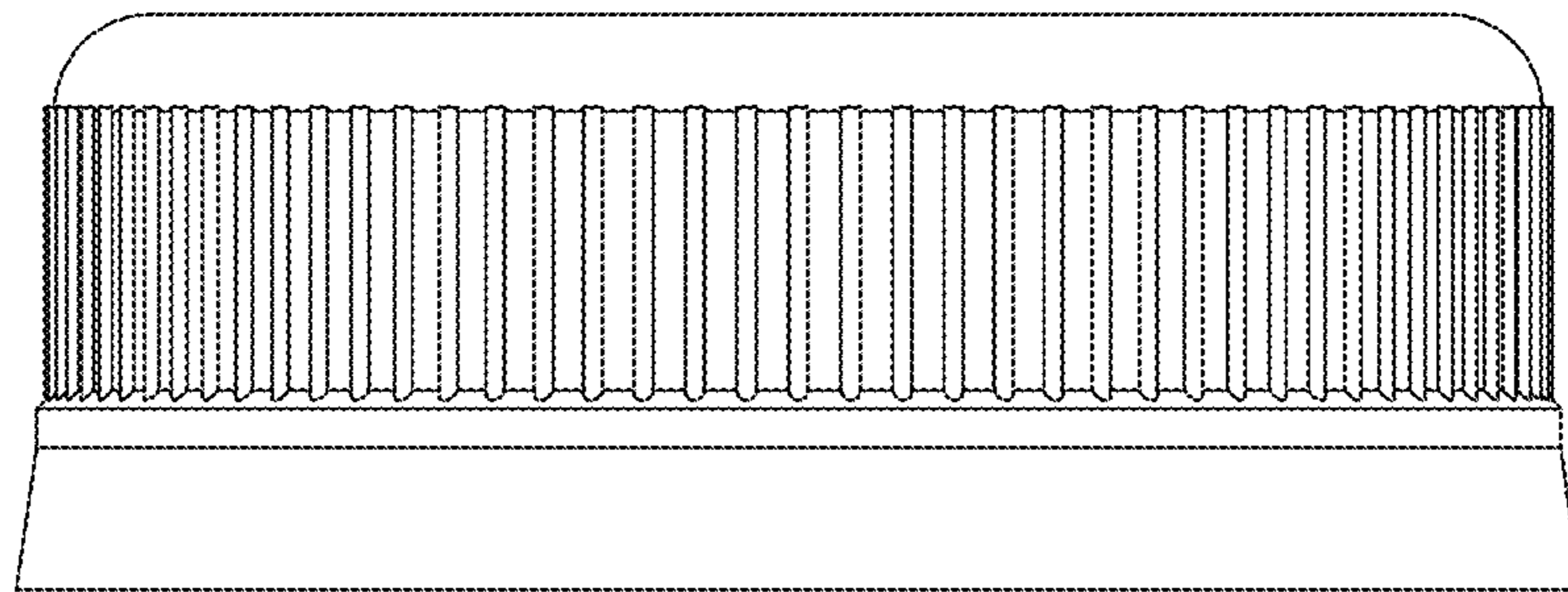


FIG. 1

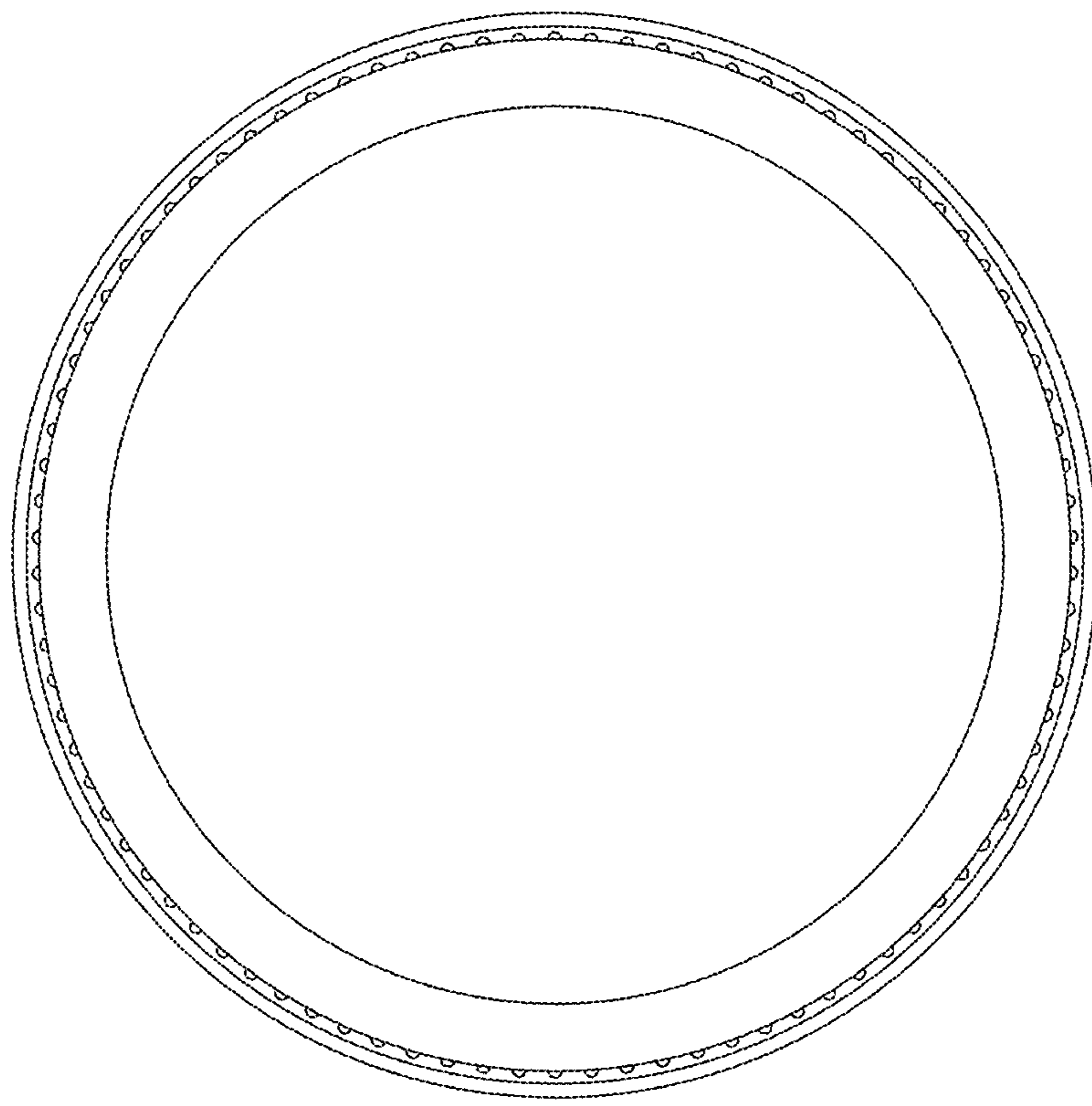


FIG. 2

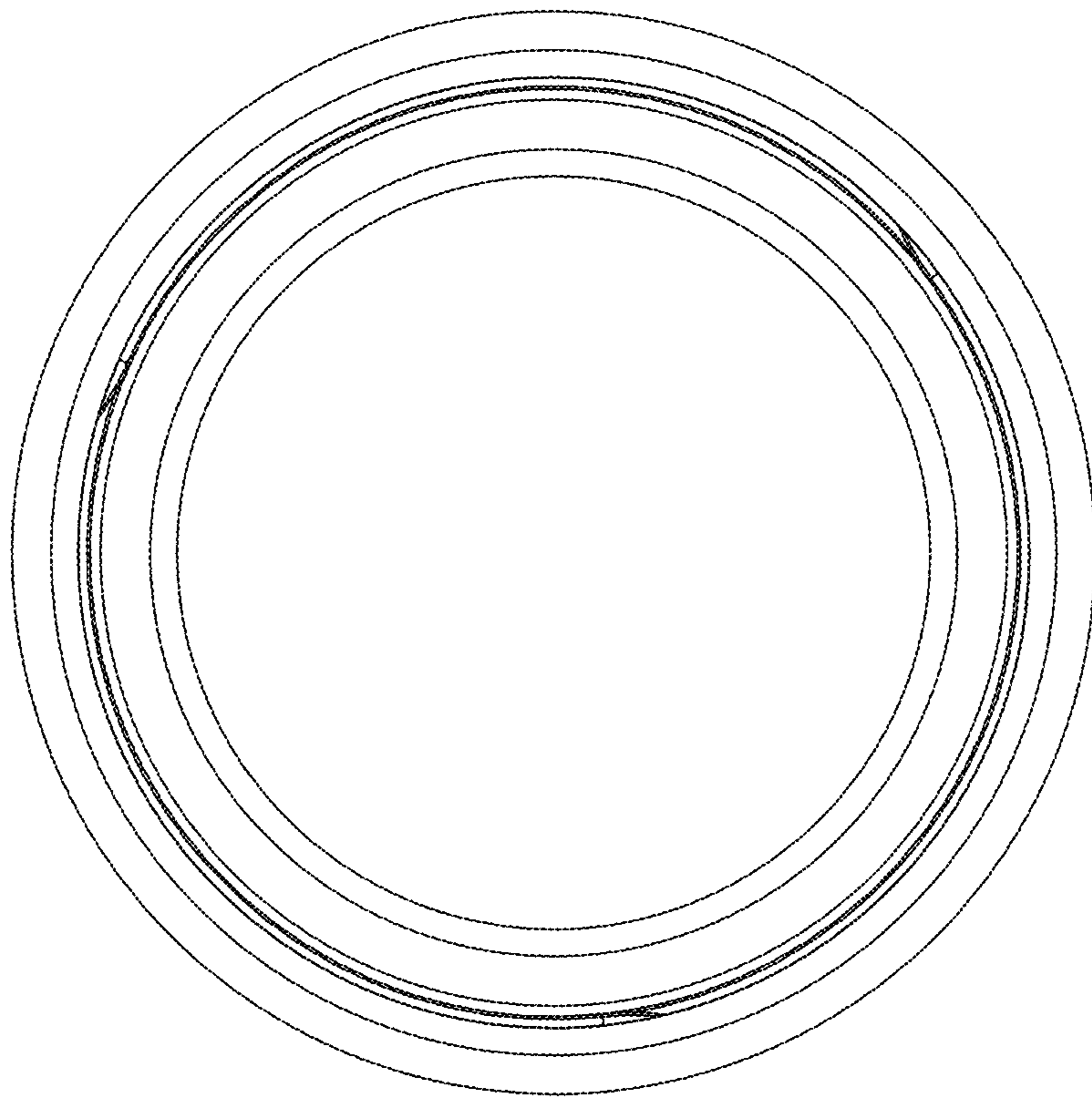


FIG. 3

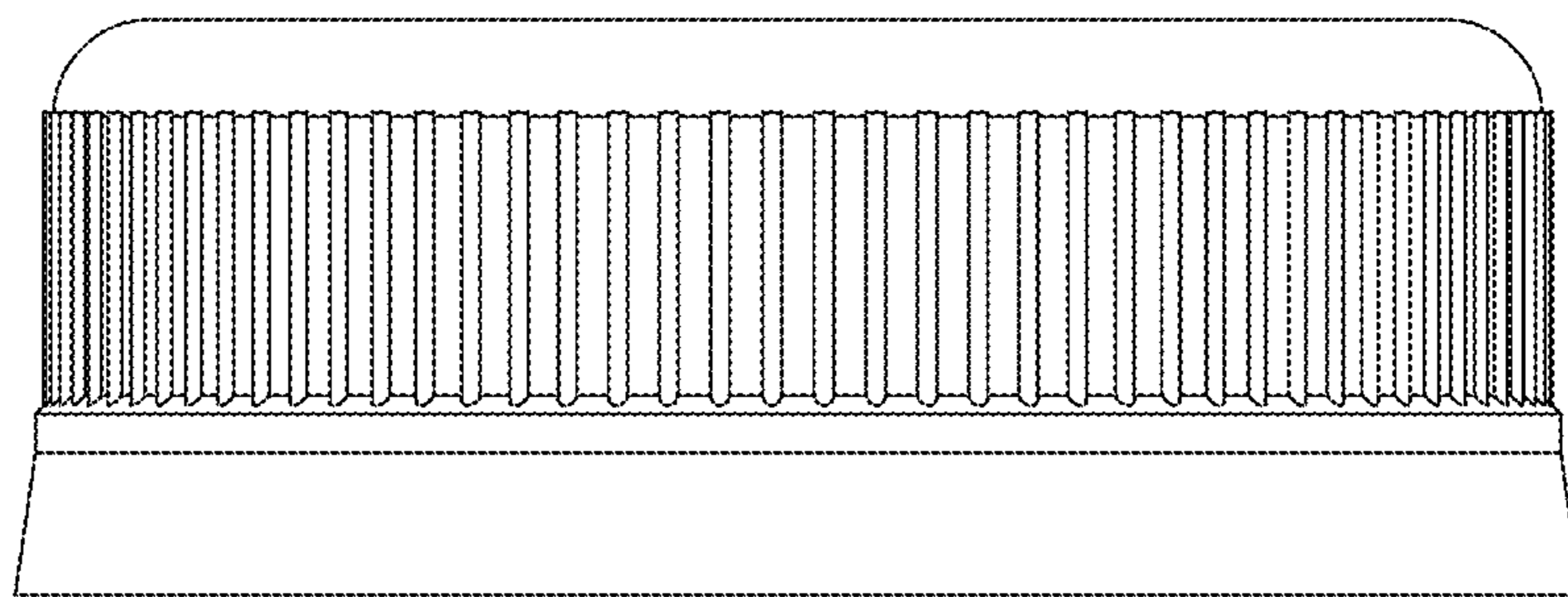


FIG. 4

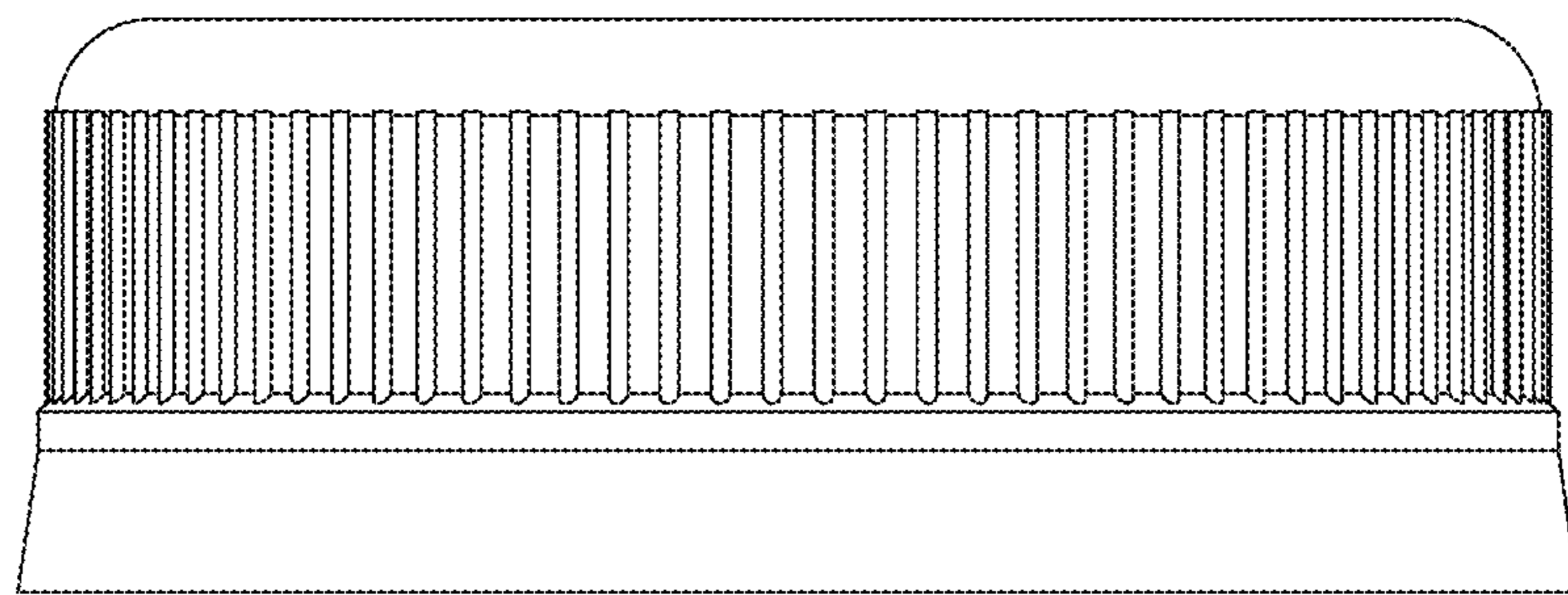


FIG. 5

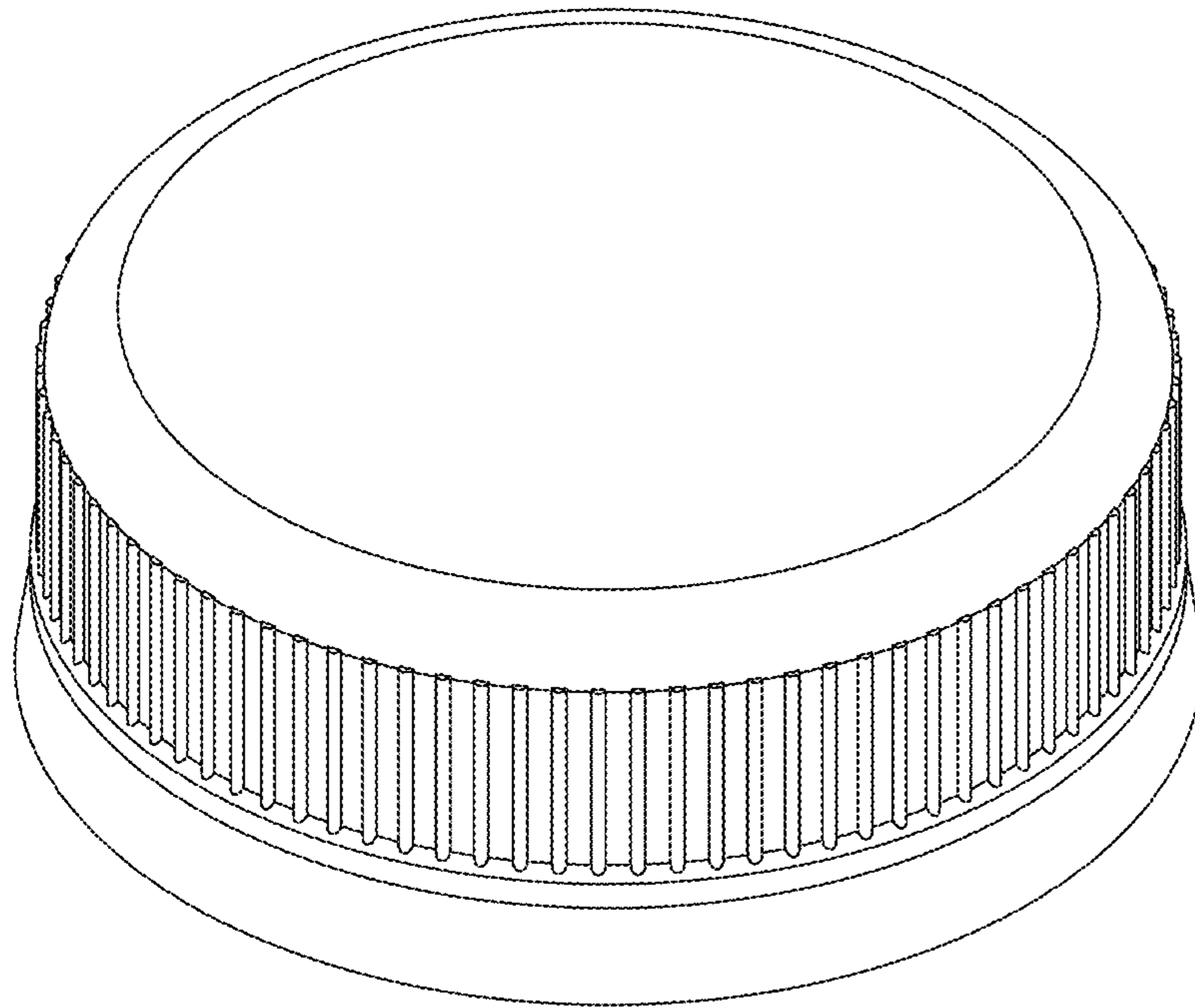


FIG. 6

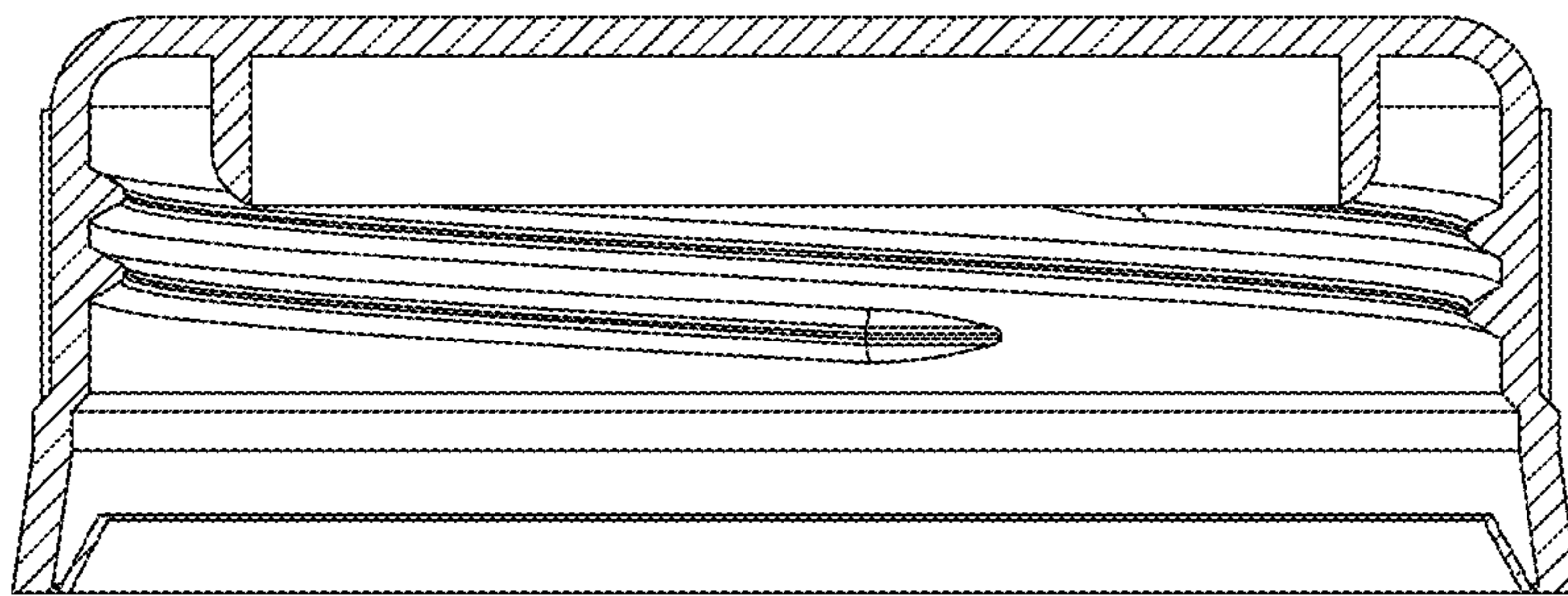


FIG. 7