



US00D792217S

(12) **United States Design Patent** (10) **Patent No.:** **US D792,217 S**
Still et al. (45) **Date of Patent:** **** Jul. 18, 2017**

(54) **APPLICATOR**
(71) Applicant: **The Procter & Gamble Company**,
Cincinnati, OH (US)
(72) Inventors: **James Douglas Still**, Cleves, OH (US);
Lucio Frias, Madeira, OH (US);
William Dale Murdock, Cheviot, OH
(US); **Mikah Coffindaffer**, Mason, OH
(US)

D253,398 S * 11/1979 Niemeyer et al. D9/448
D338,341 S * 8/1993 Colon et al. D4/117
D353,019 S * 11/1994 Kimmell et al. D28/25
D368,981 S * 4/1996 Bozak D28/25
D369,435 S * 4/1996 Bozak D28/30
D370,302 S * 5/1996 Healy D28/7
D399,602 S * 10/1998 Ratnam D28/25
D462,808 S * 9/2002 Swaner et al. D28/7
D659,454 S * 5/2012 Fritz et al. D6/542
D672,177 S * 12/2012 Zeng D6/542
D681,876 S * 5/2013 Murdock
D690,876 S * 10/2013 Murdock et al. D28/7

(73) Assignee: **The Procter & Gamble Company**,
Cincinnati, OH (US)

(**) Term: **14 Years**

(21) Appl. No.: **29/458,152**

(22) Filed: **Jun. 17, 2013**

(51) **LOC (10) Cl.** **09-01**

(52) **U.S. Cl.**
USPC **D9/448; D28/7**

(58) **Field of Classification Search**
USPC D6/452-545; D7/300, 321, 392.1, 396.2,
D7/500, 507, 509, 510, 511, 900;
D9/434-448, 452, 455, 524, 682, 685,
D9/684; D28/7, 8, 20, 21, 22, 30, 31, 76,
D28/85, 99; 132/108, 202, 208;
215/200, 235, 236, 252, 254, 329,
215/355-364; 220/203.04-203.07, 220,
220/254.1, 254.4, 556, 703, 704, 705
CPC F04D 29/708; A45D 40/265; A45D 19/02;
A45D 34/00; B05B 7/0408; B05B
11/0089; B05B 15/02; B05C 17/005;
B05C 1/00; B05C 5/02

See application file for complete search history.

(56) **References Cited**

U.S. PATENT DOCUMENTS

D58,474 S * 7/1921 Foster D28/32
D204,831 S * 5/1966 Irving D9/448

OTHER PUBLICATIONS

U.S. Appl. 29/447,858, filed Mar. 7, 2013, Murdock.

* cited by examiner

Primary Examiner — Robert M Spear

Assistant Examiner — Marissa Cash

(74) *Attorney, Agent, or Firm* — James T. Fondriest

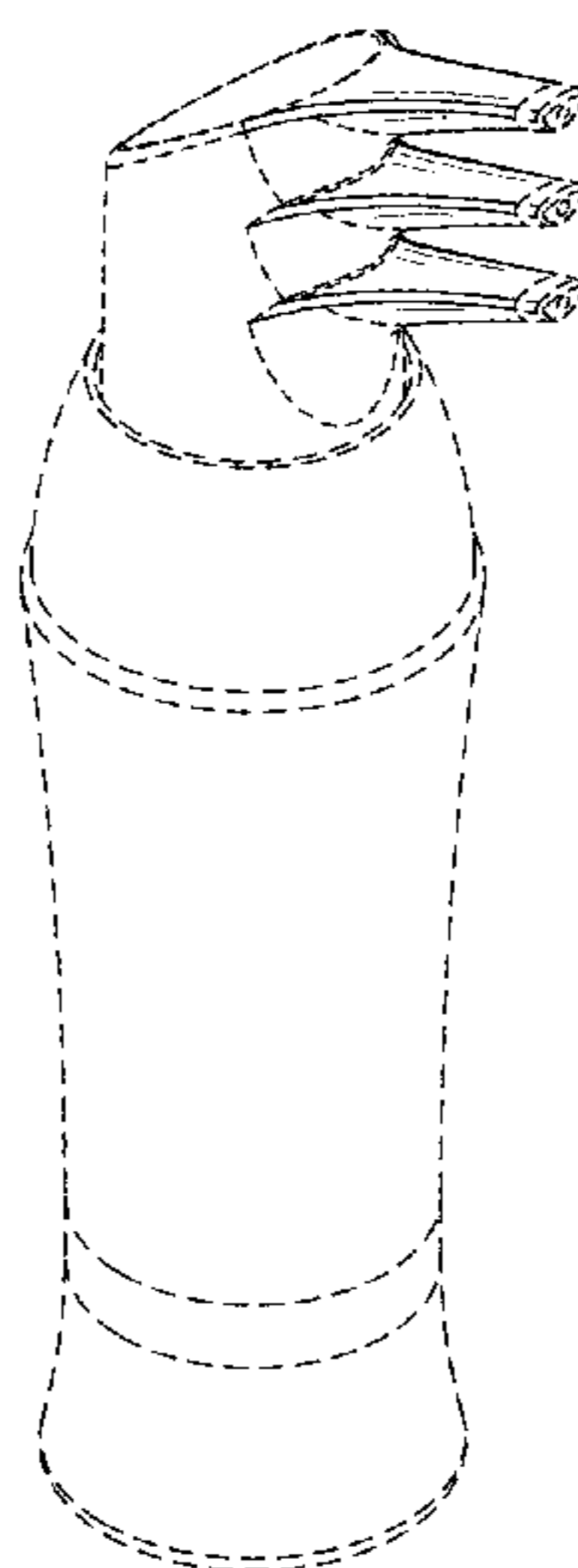
(57) **CLAIM**

The ornamental design for an applicator, as shown and described.

DESCRIPTION

FIG. 1 is a perspective front view of an applicator embodying the new design shown;
FIG. 2 is a front view of the design shown in FIG. 1;
FIG. 3 is a left side view of the design shown in FIG. 1;
FIG. 4 is a back view of the design shown in FIG. 1;
FIG. 5 is a right side view of the design shown in FIG. 1;
FIG. 6 is a bottom view of the design shown in FIG. 1; and,
FIG. 7 is a top view of the design shown in FIG. 1.
The dash-dash lines shown in the figures described above illustrate the portions of the applicator that form no part of the claimed design.

1 Claim, 4 Drawing Sheets



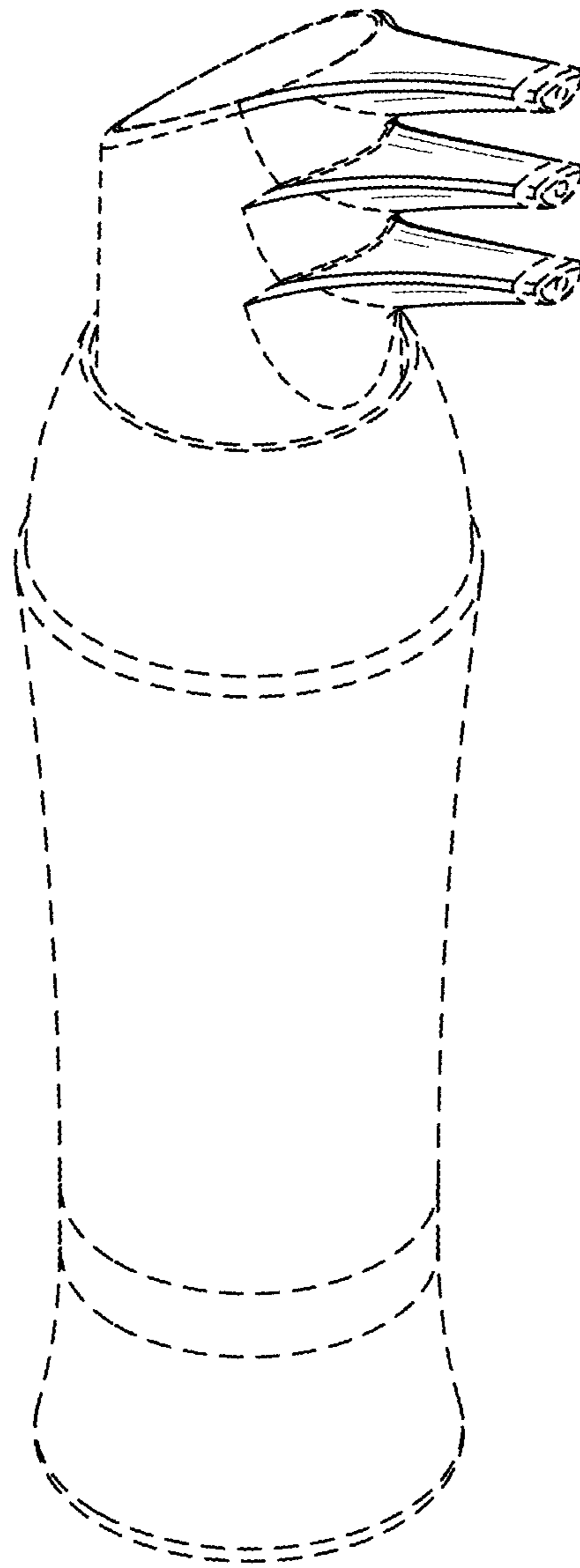


Fig. 1

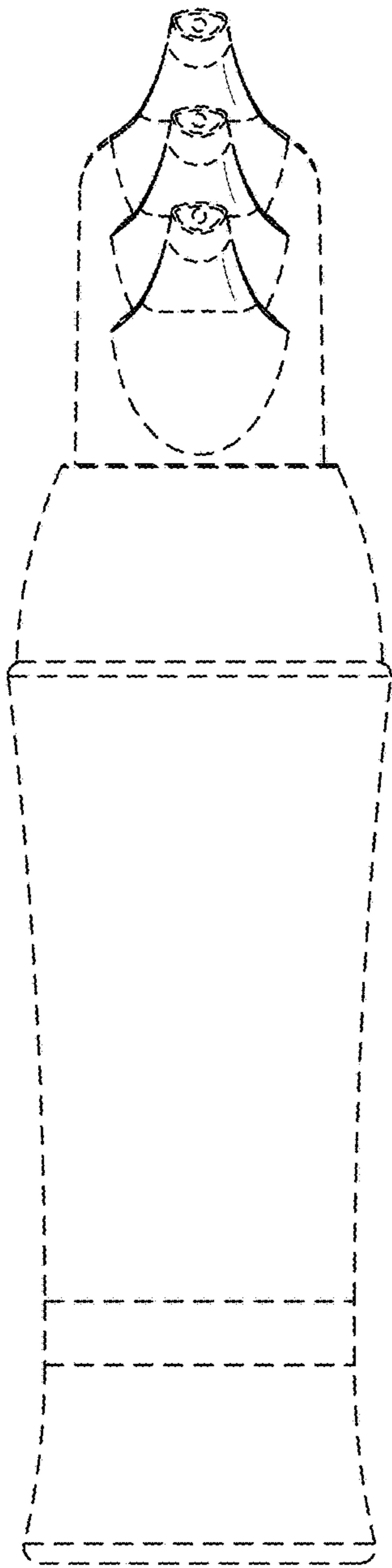


Fig. 2

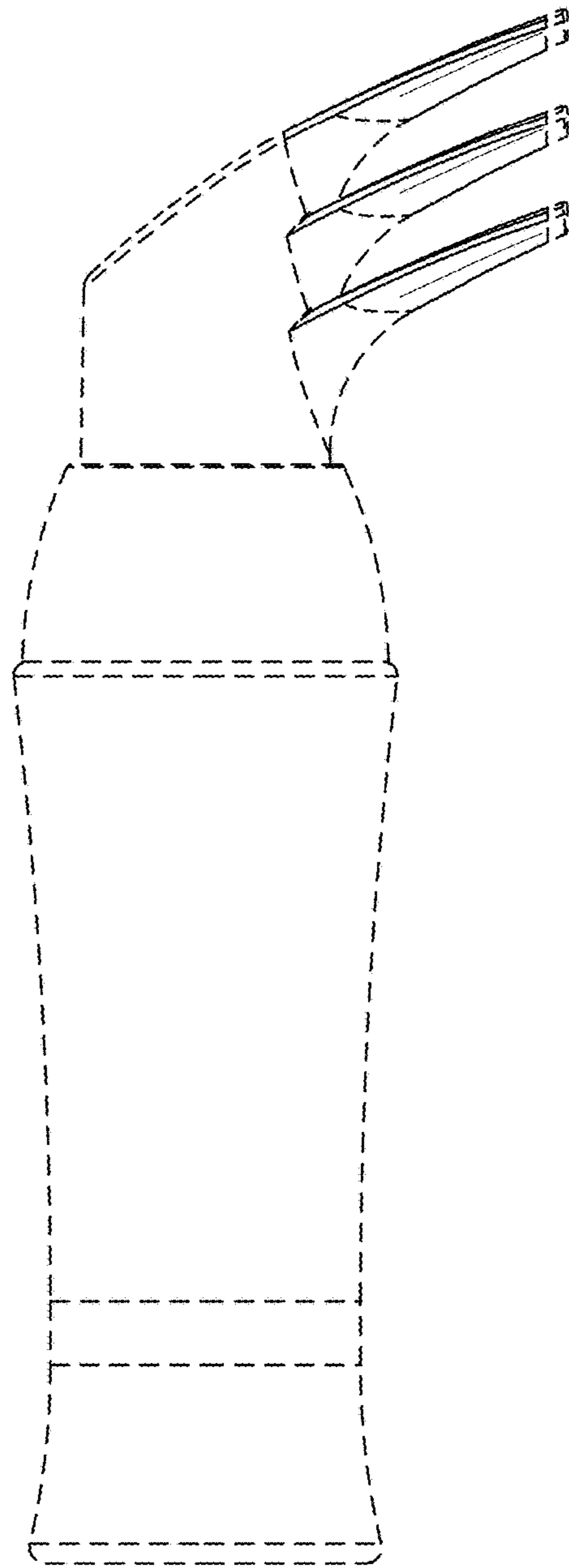


Fig. 3

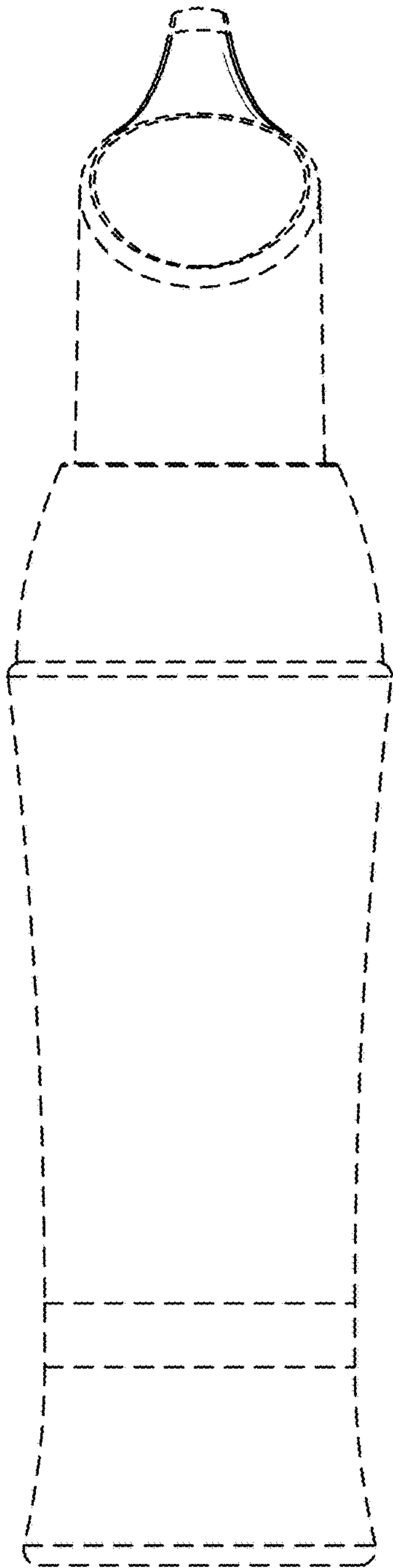


Fig. 4

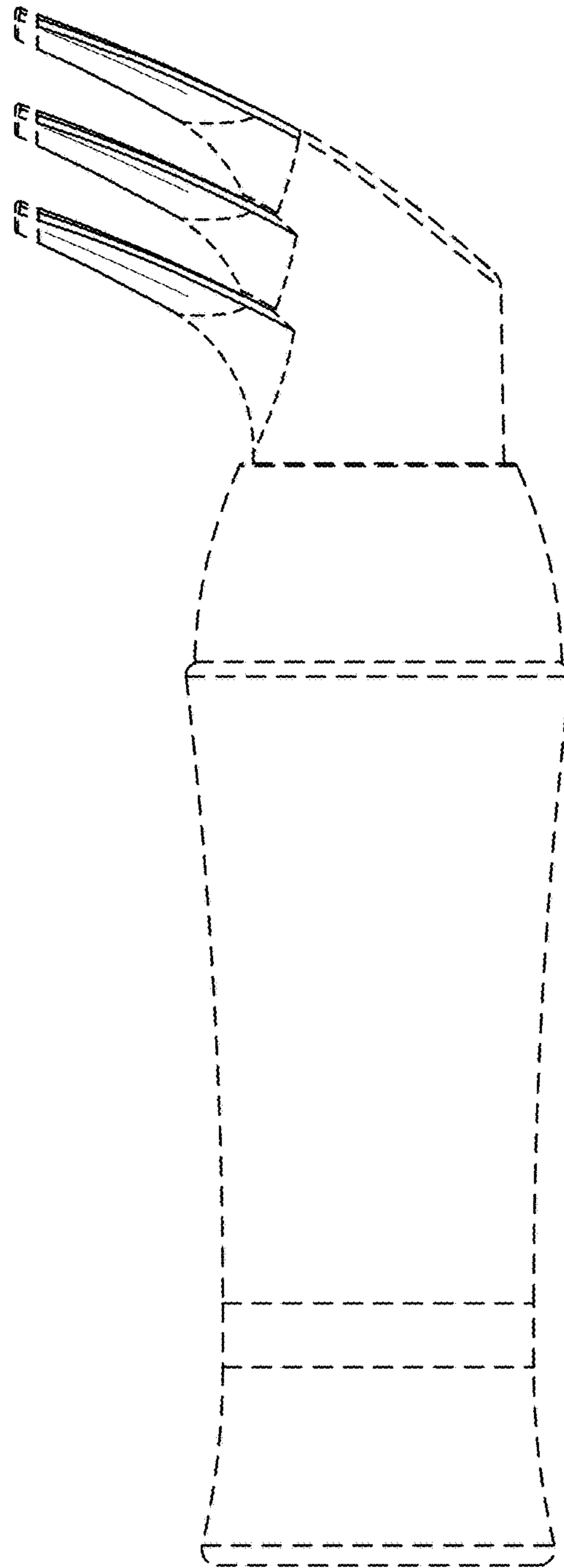


Fig. 5

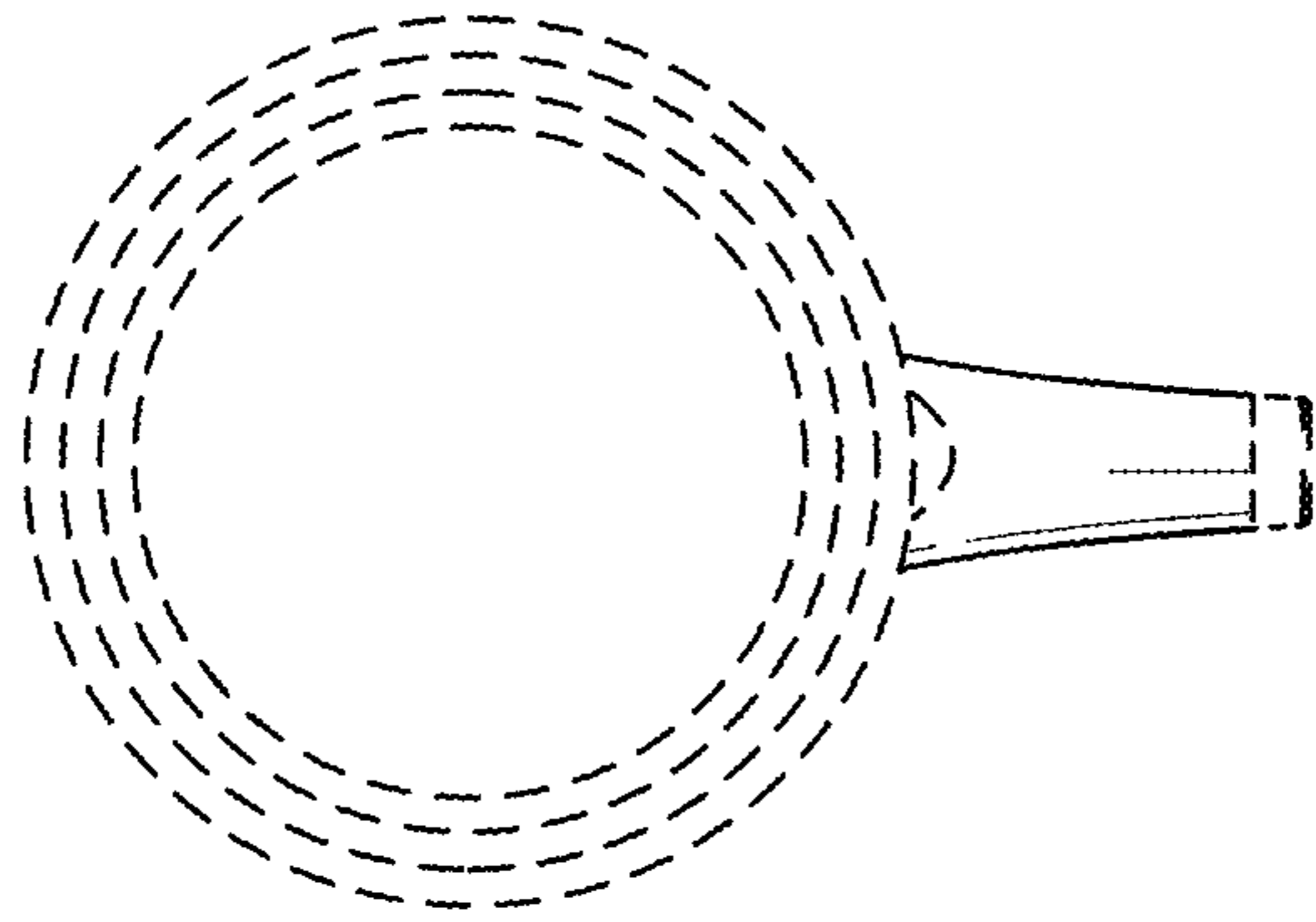


Fig. 6

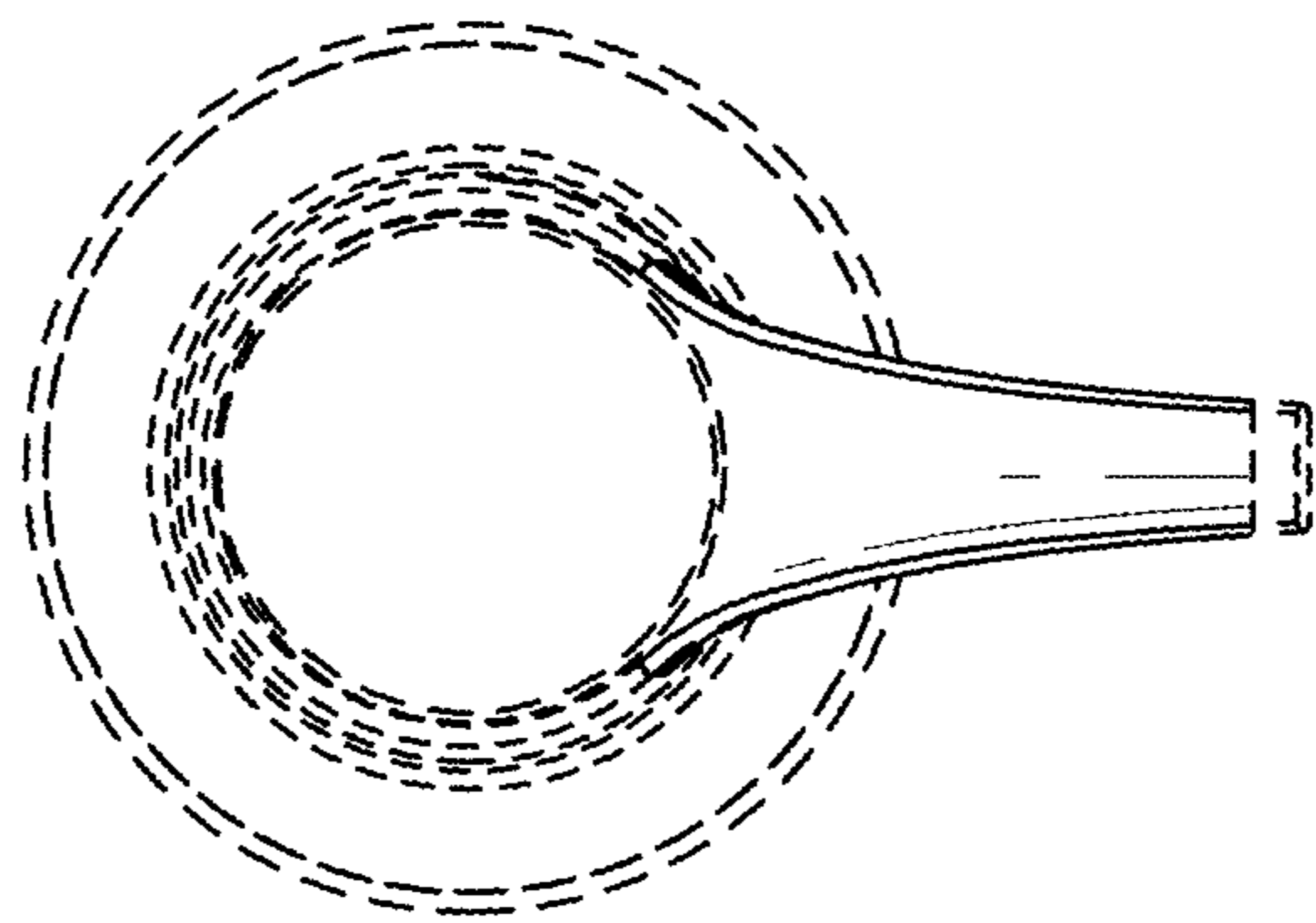


Fig. 7