



US00D792216S

(12) **United States Design Patent**
Breit et al.

(10) **Patent No.:** **US D792,216 S**
(45) **Date of Patent:** **** Jul. 18, 2017**

(54) **MISTING AND SIPPING BOTTLE CAP**

(71) Applicant: **O2Cool, LLC**, Chicago, IL (US)

(72) Inventors: **Oliver Breit**, Discovery Bay (HK);
Jason Yap, Melbourne (AU)

(73) Assignee: **O2COOL, Inc.**, Chicago, IL (US)

(**) Term: **15 Years**

(21) Appl. No.: **29/569,116**

(22) Filed: **Jun. 23, 2016**

D657,618 S *	4/2012	Wahl	D7/392.1
D696,551 S *	12/2013	Meyers	D7/392.1
D700,012 S *	2/2014	Hurley	D7/392.1
D700,515 S *	3/2014	Herbst	D9/448
D707,124 S *	6/2014	Blain	D9/443
D716,657 S *	11/2014	Caneer	D9/443
D719,780 S *	12/2014	Sullivan	D7/392.1
8,905,252 B2 *	12/2014	Latham	B65D 51/18 215/228
D721,276 S *	1/2015	Herbst	D7/396.2
D729,569 S *	5/2015	Herbst	D7/392
D734,151 S *	7/2015	Herbst	D9/448
D739,174 S *	9/2015	Elsaden	D7/392.1
D742,230 S *	11/2015	Charles	D7/396.2
D745,827 S *	12/2015	Sorensen	D7/392.1

(Continued)

Related U.S. Application Data

(63) Continuation of application No. 29/528,332, filed on May 28, 2015, now Pat. No. Des. 763,688.

(51) **LOC (10) Cl.** **09-07**

(52) **U.S. Cl.**
USPC **D9/443**

(58) **Field of Classification Search**
USPC D9/429, 434-436, 439-454, 499, 600,
D9/601, 614-617, 620, 623, 624, 628;
D7/387, 392, 393, 396.2, 510, 511,
D7/514-517, 598, 599, 612.2, 623, 628;
D3/202, 294, 318

CPC A61J 1/1412; B65D 1/02; B65D 1/323;
B65D 1/0246; B65D 25/40; B65D 25/42;
B65D 25/44; B65D 41/56; B65D 41/62;
B65D 47/06; B65D 47/08

See application file for complete search history.

(56) **References Cited**

U.S. PATENT DOCUMENTS

D547,607 S *	7/2007	Forsman	D7/396.2
D586,183 S *	2/2009	Junkel	D7/511
D626,837 S *	11/2010	Meyers	D9/443
D629,644 S *	12/2010	Zhuang	D7/392.1
D652,256 S *	1/2012	Eyal	D7/510

Primary Examiner — Karen S Acker

Assistant Examiner — Wendy Arminio

(74) *Attorney, Agent, or Firm* — Thompson Coburn, LLP

(57) **CLAIM**

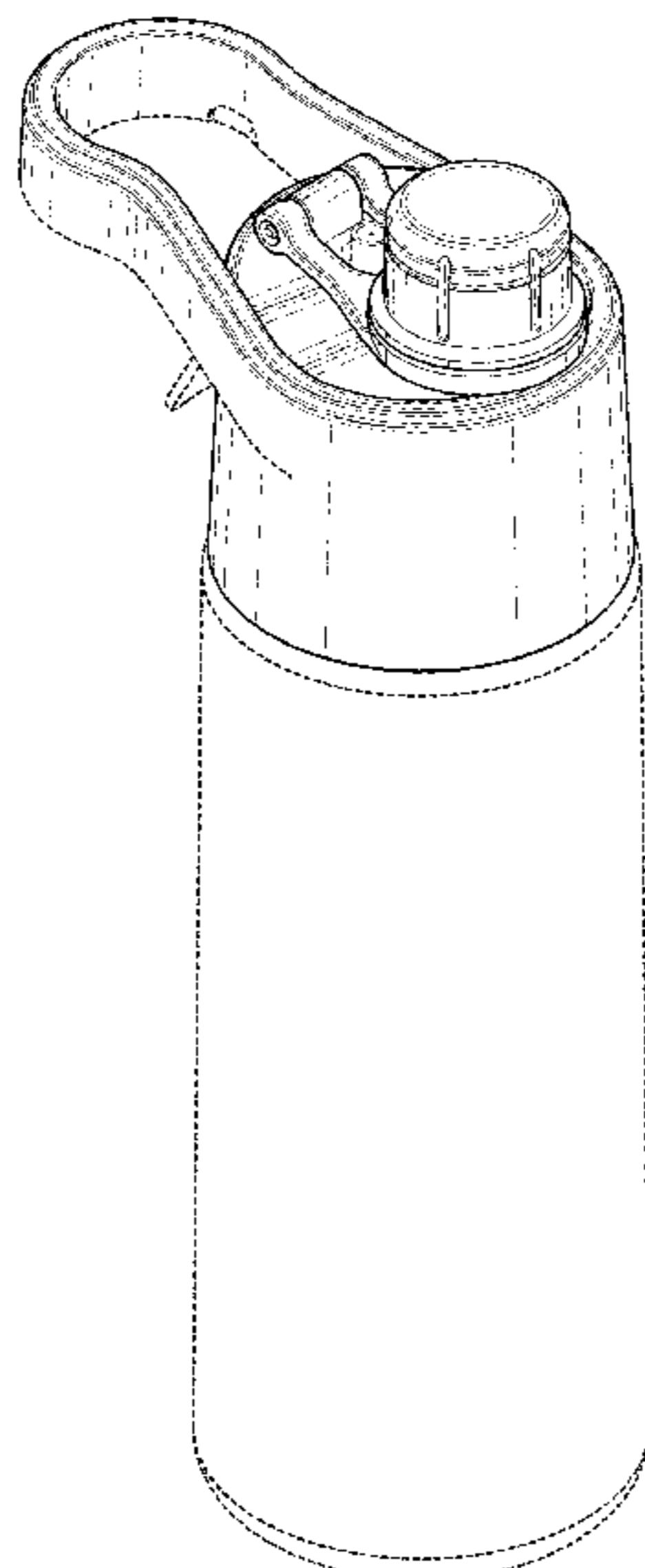
The ornamental design for a misting and sipping bottle cap, as shown and described.

DESCRIPTION

FIG. 1 is a front perspective view of a misting and sipping bottle cap showing our new design;
FIG. 2 is a rear perspective view thereof;
FIG. 3 is a right side elevational view thereof;
FIG. 4 is a left side elevational view thereof;
FIG. 5 is a rear elevational view thereof;
FIG. 6 is a front elevational view thereof;
FIG. 7 is a top plan view thereof; and,
FIG. 8 is a bottom plan view thereof.

The broken lines immediately adjacent to the shaded areas of the misting and sipping bottle cap define the boundaries of the portions of the article not claimed, and form no part of the claimed design. All other broken lines are environment and form no part of the claimed design.

1 Claim, 8 Drawing Sheets



(56)

References Cited

U.S. PATENT DOCUMENTS

D747,918 S * 1/2016 Herbst D7/392.1
D748,943 S * 2/2016 Miller D7/392.1
2015/0173539 A1* 6/2015 Mason A47G 19/2272
220/707

* cited by examiner

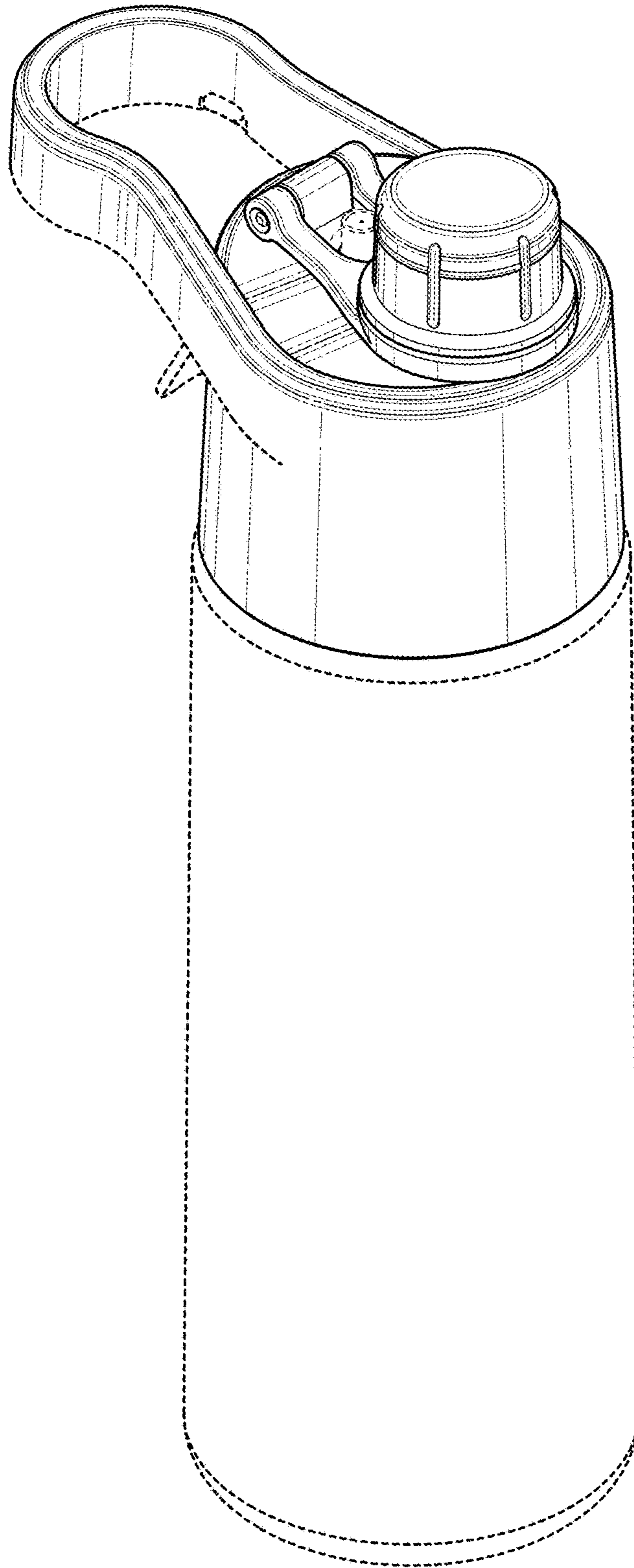


FIG. 1

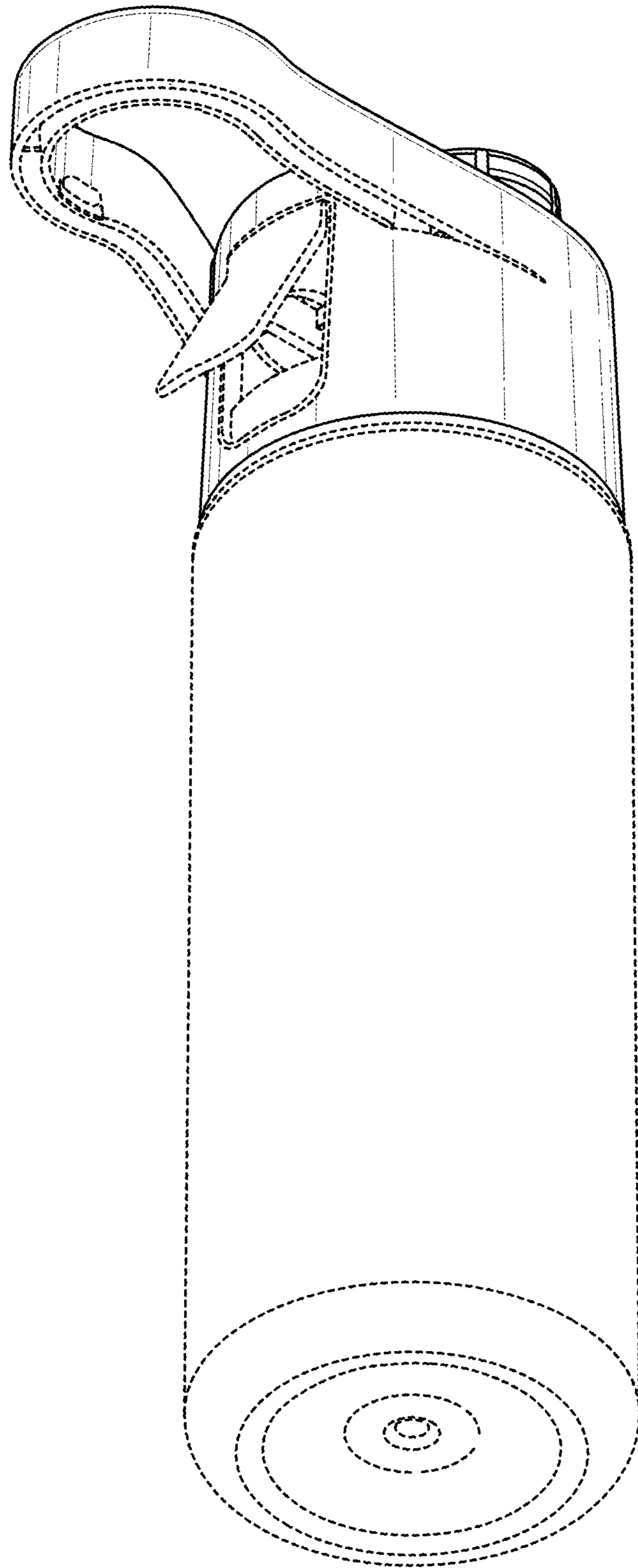


FIG. 2

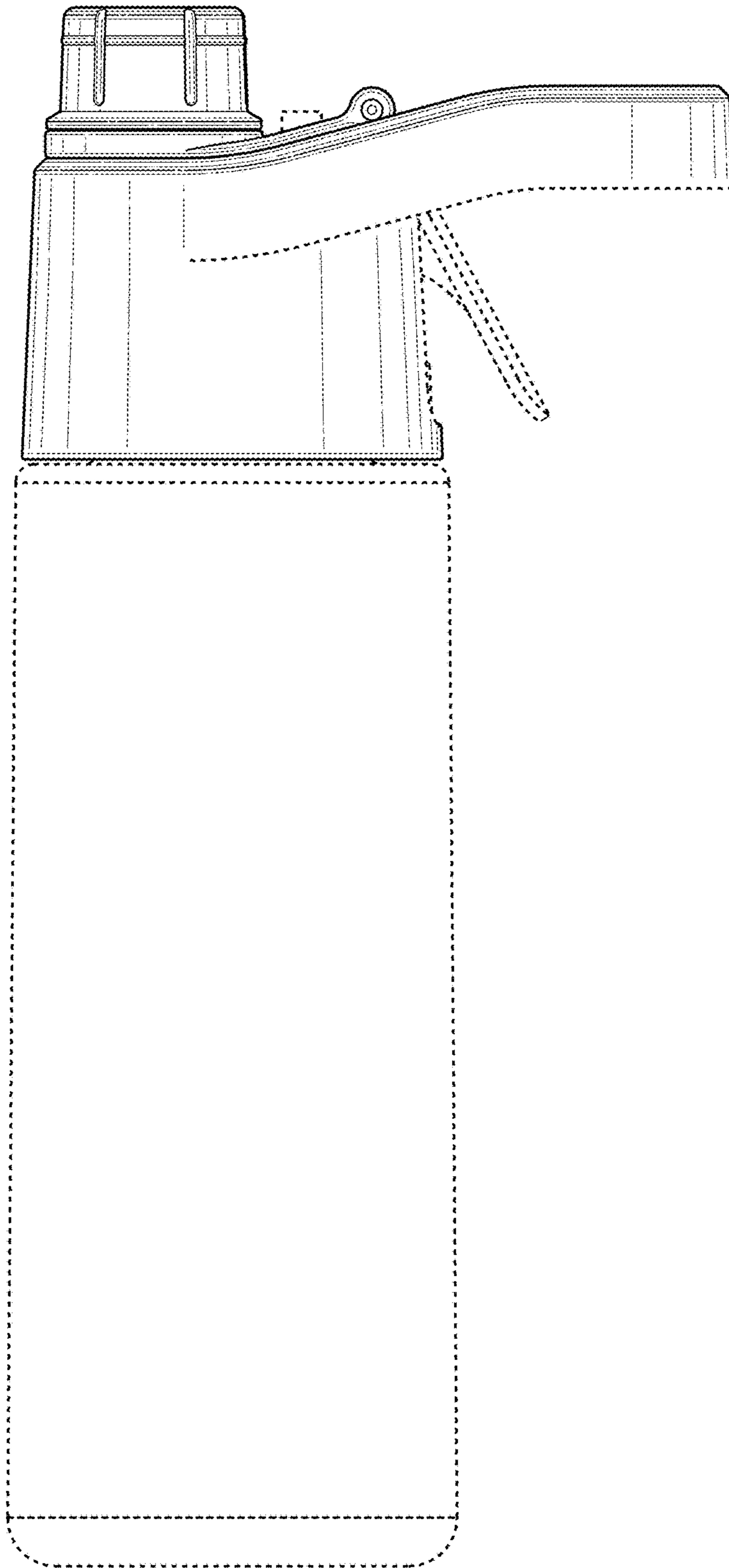


FIG. 3

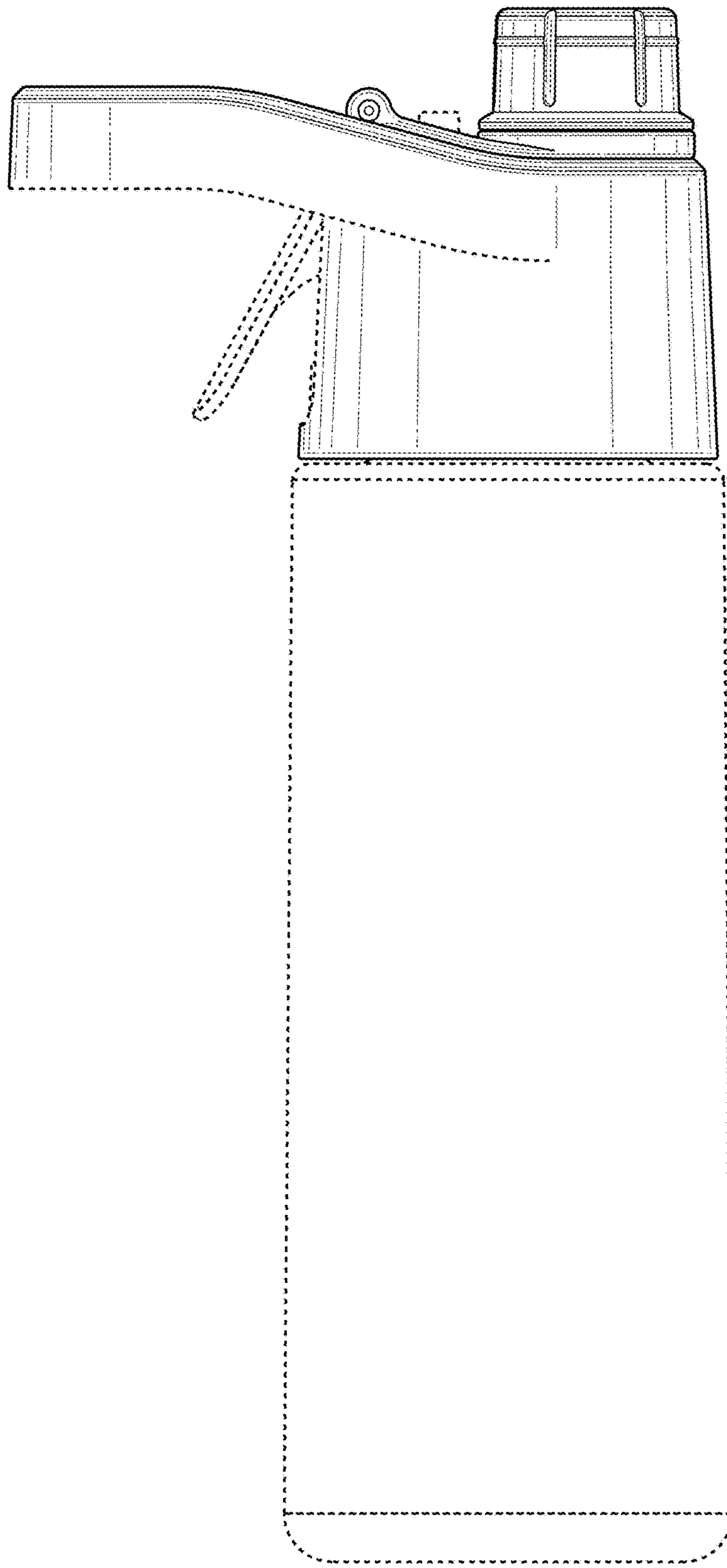


FIG. 4

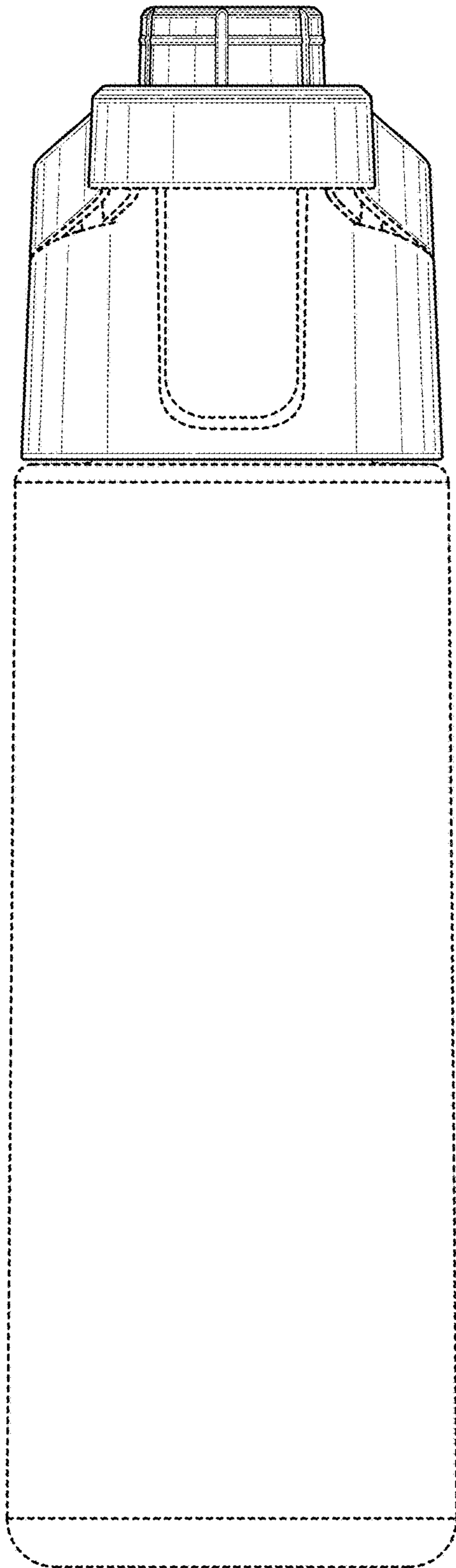


FIG. 5

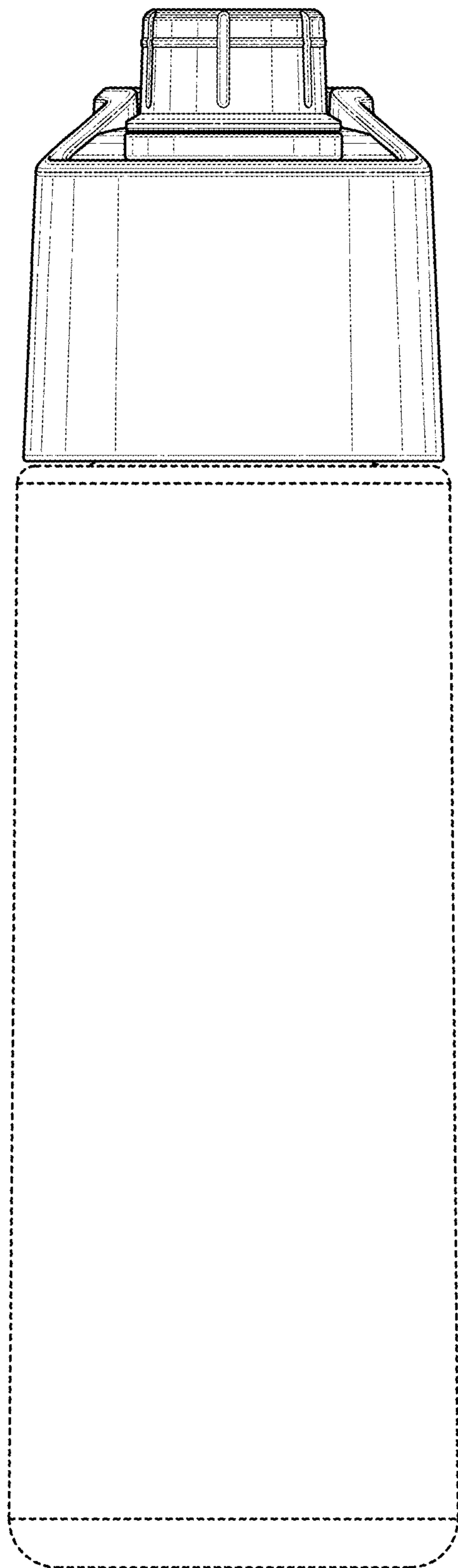


FIG. 6

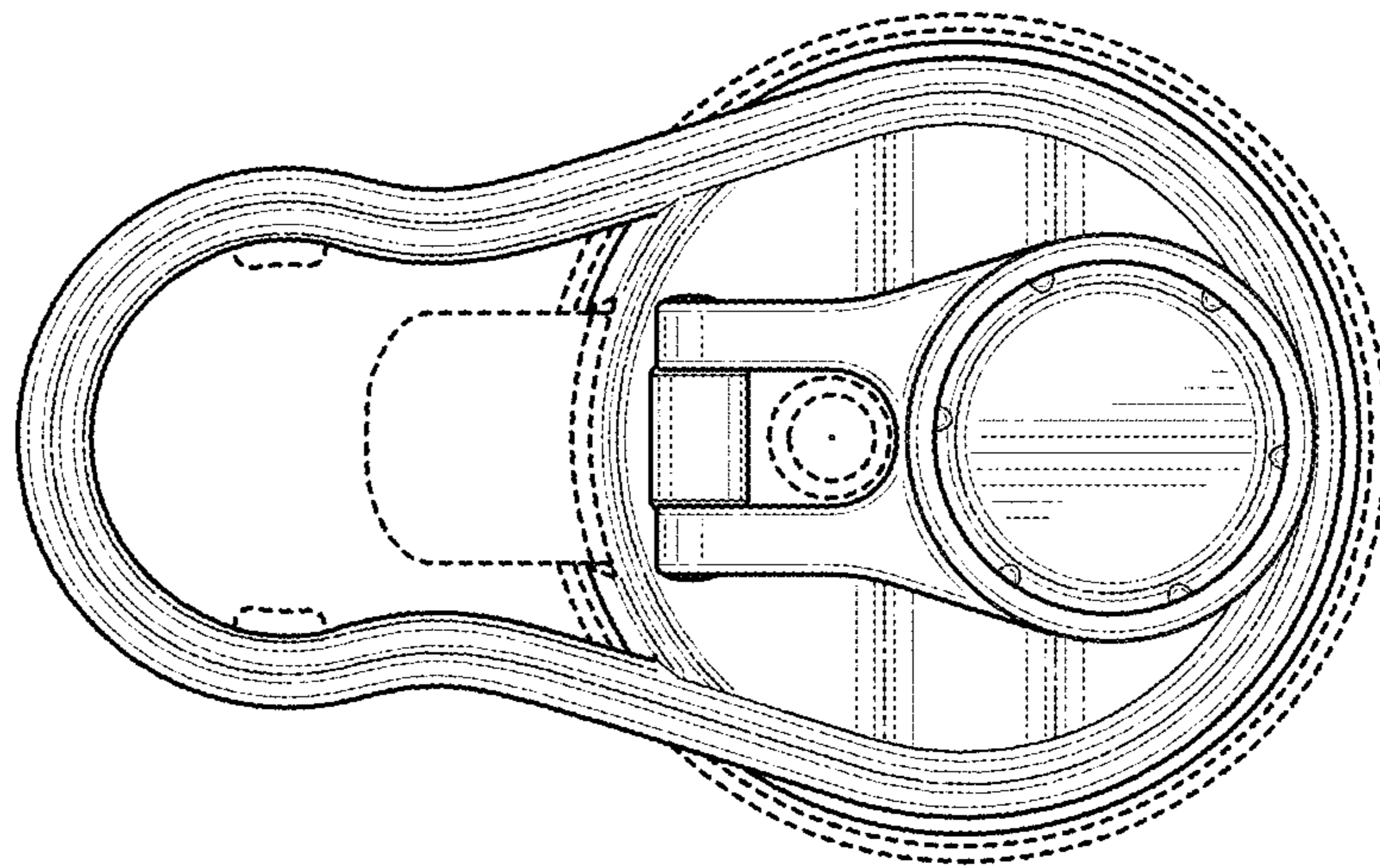


FIG. 7

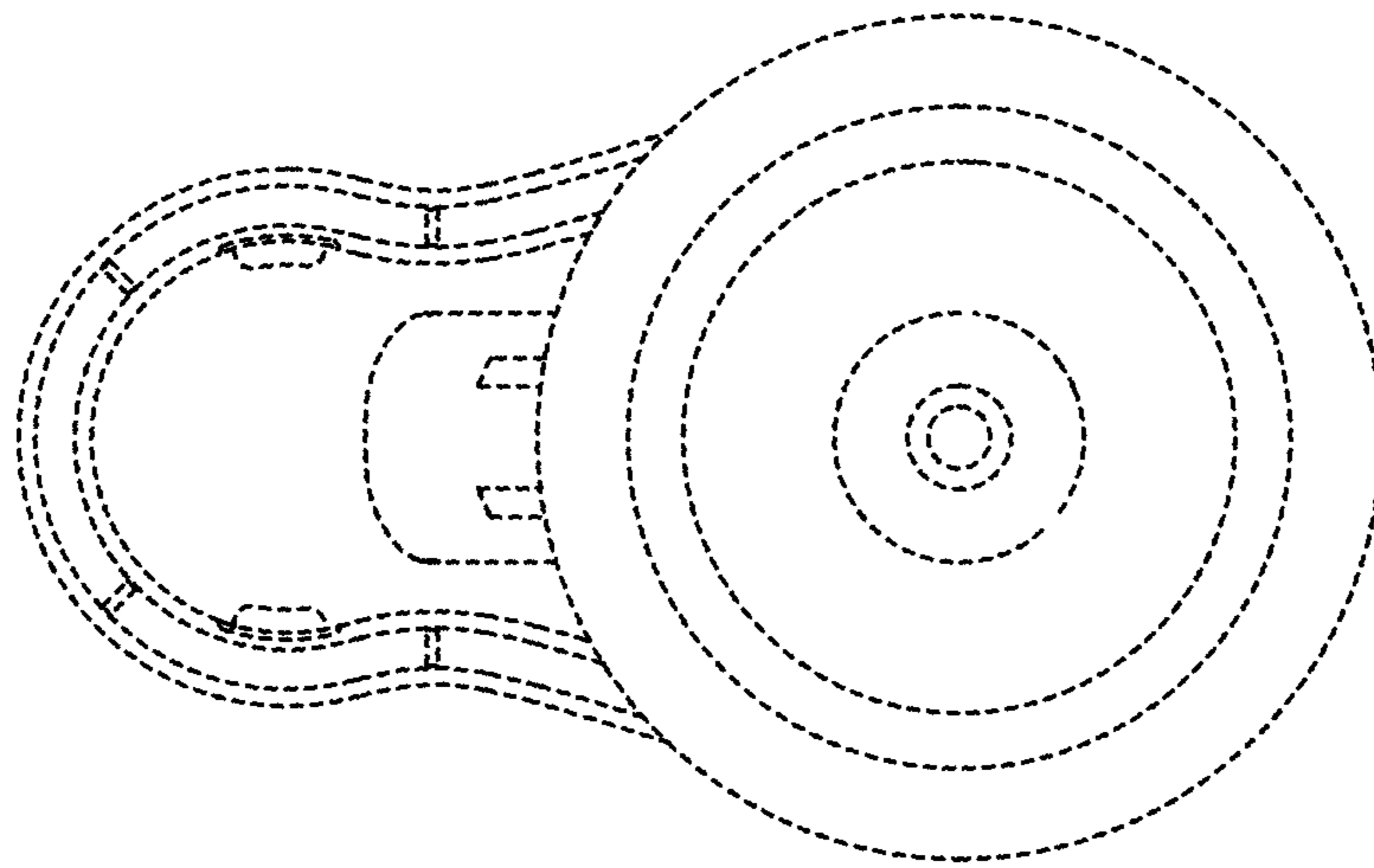


FIG. 8