

US00D792215S

(12) **United States Design Patent** (10) **Patent No.:** **US D792,215 S**
Eyal (45) **Date of Patent:** **** Jul. 18, 2017**

(54) **BEVERAGE CONTAINER LID**
(71) Applicant: **ETS EXPRESS, INC.**, Oxnard, CA (US)
(72) Inventor: **Sharon Eyal**, Oxnard, CA (US)
(73) Assignee: **ETS EXPRESS, INC.**, Oxnard, CA (US)
(**) Term: **15 Years**

D231,774 S * 6/1974 McLaughlin 222/402.13
D378,269 S * 3/1997 Doughty D23/250
D479,800 S * 9/2003 McRae D9/443
D548,075 S * 8/2007 Mavin D9/435
D616,743 S * 6/2010 Cresswell D9/443
D620,357 S * 7/2010 Jewett D9/443
D621,258 S * 8/2010 Gullickson D9/443
D680,431 S * 4/2013 Hopkins D9/443
D755,561 S * 5/2016 Eyal D7/392.1
D758,859 S * 6/2016 Sorensen D7/393
D781,146 S * 3/2017 Seiders D7/392.1

* cited by examiner

(21) Appl. No.: **29/568,124**
(22) Filed: **Jun. 15, 2016**
(51) **LOC (10) Cl.** **09-07**
(52) **U.S. Cl.**
USPC **D9/443; D7/392.1; D7/396.2**
(58) **Field of Classification Search**
USPC D9/428, 429, 434, 435, 442, 443,
D9/445-450, 453-456, 499, 682, 684,
D9/685; D7/387, 388, 392, 392.1, 393,
D7/396.2, 396.3, 396.4, 401.1, 408, 504,
D7/507, 509-511, 538, 900; D3/202,
D3/203.2, 318; D28/91.1
CPC .. A61J 1/00; A61J 1/1412; B65D 1/00; B65D
1/02; B65D 1/10; B65D 1/46; B65D
2585/56; B65D 2585/545; B65D 41/00;
B65D 41/38; B65D 41/56; B65D 41/62;
B65D 47/00; B65D 47/06; B65D 47/08;
B65D 2543/00046; B65D 2543/00092;
B65D 2543/00296; B65D 5/46; B65D
2251/00
See application file for complete search history.

Primary Examiner — Karen S Acker
Assistant Examiner — Wendy Arminio
(74) *Attorney, Agent, or Firm* — Kleinberg & Lerner,
LLP; Marvin H. Kleinberg; Marshall A. Lerner

(57) **CLAIM**

The ornamental design for a beverage container lid, as shown and described.

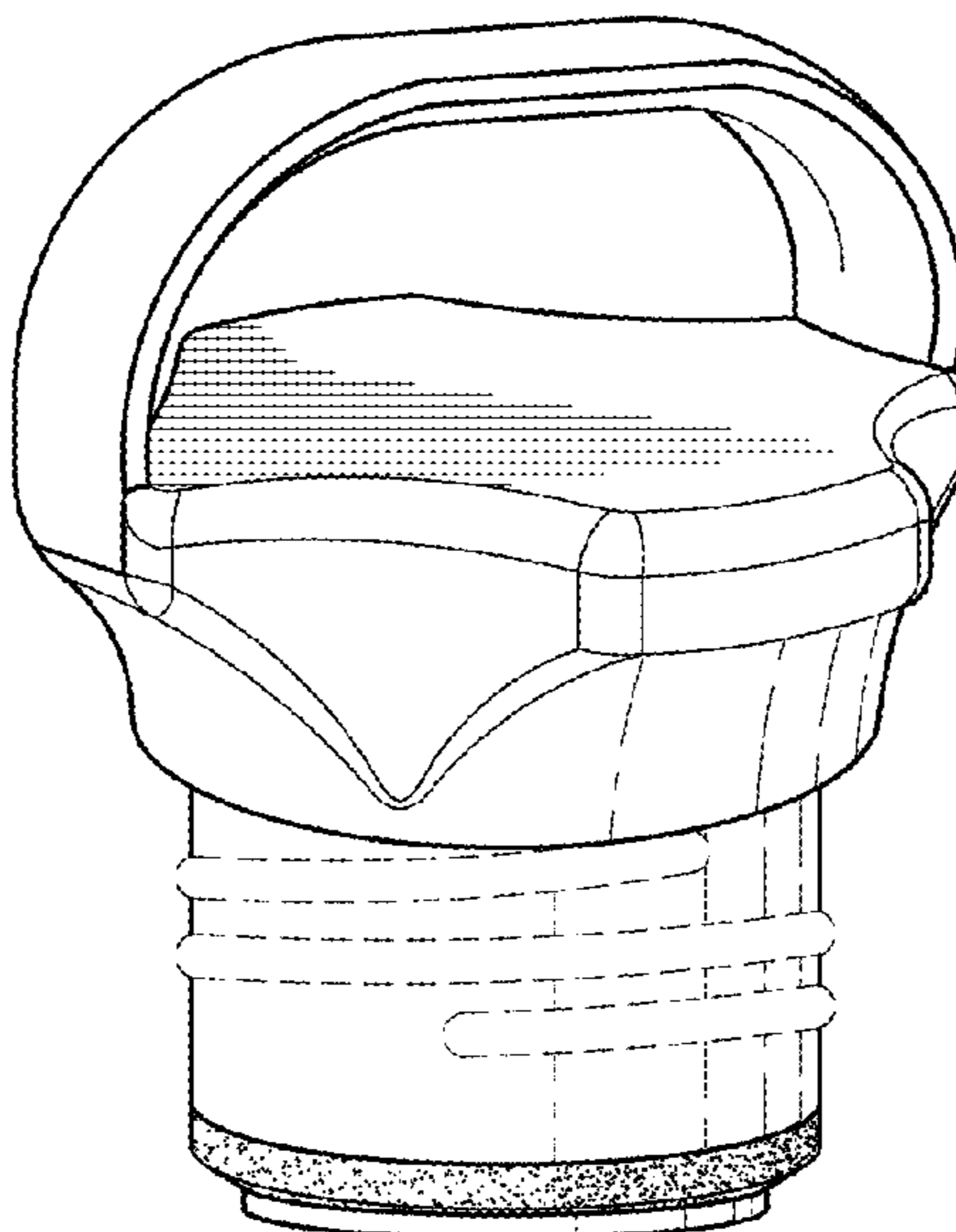
DESCRIPTION

FIG. 1 is a perspective view of a beverage container lid showing my new design;
FIG. 2 is a top view thereof;
FIG. 3 is a bottom view thereof;
FIG. 4 is a front view thereof;
FIG. 5 is a rear view thereof;
FIG. 6, is a left side view thereof; and,
FIG. 7 is a right side view of thereof.
The broken lines depict portions of the beverage container lid that form no part of the claimed design.

(56) **References Cited**
U.S. PATENT DOCUMENTS

D194,437 S * 1/1963 Salter D15/21
D202,938 S * 11/1965 Danks D9/453

1 Claim, 2 Drawing Sheets



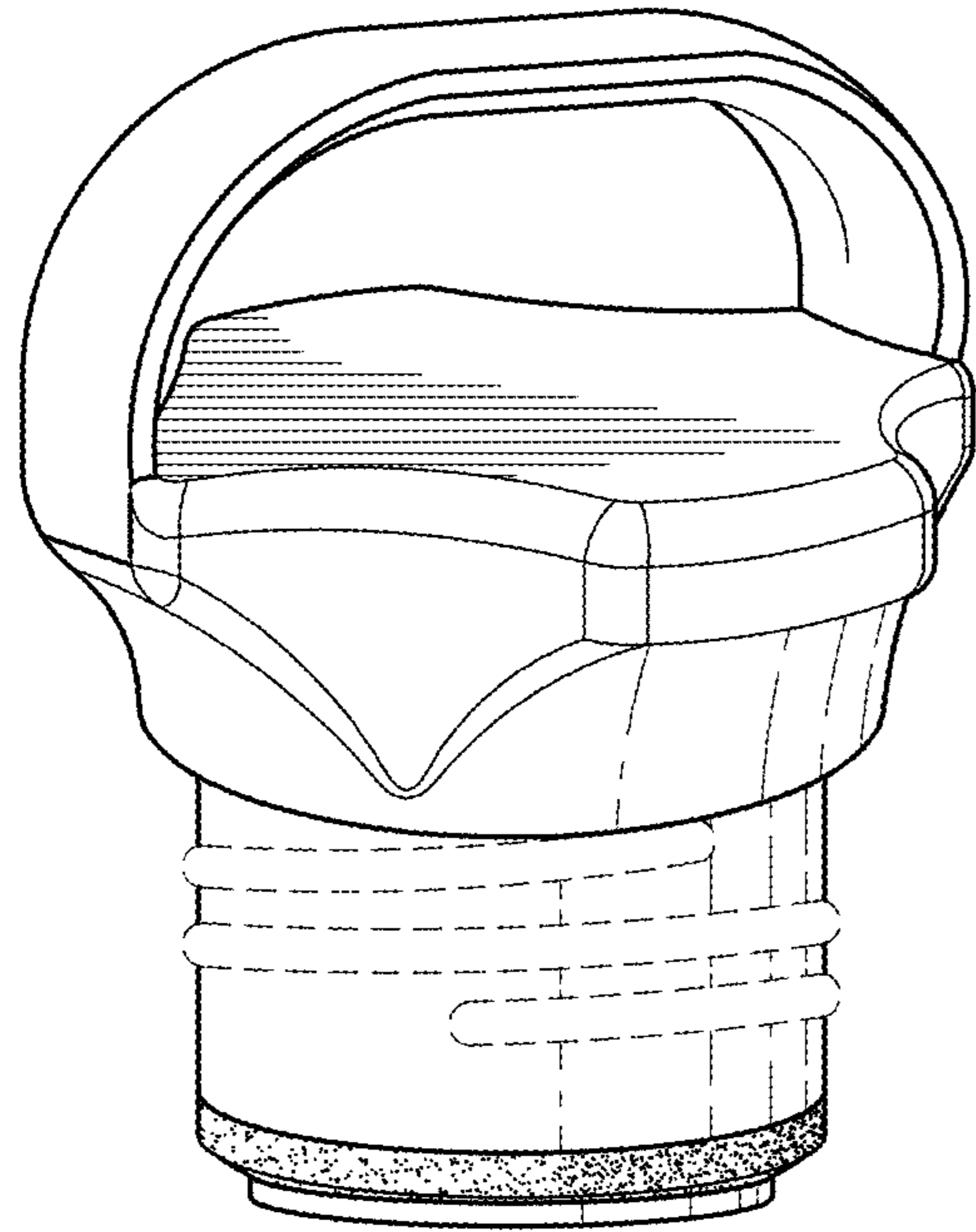


FIG. 1

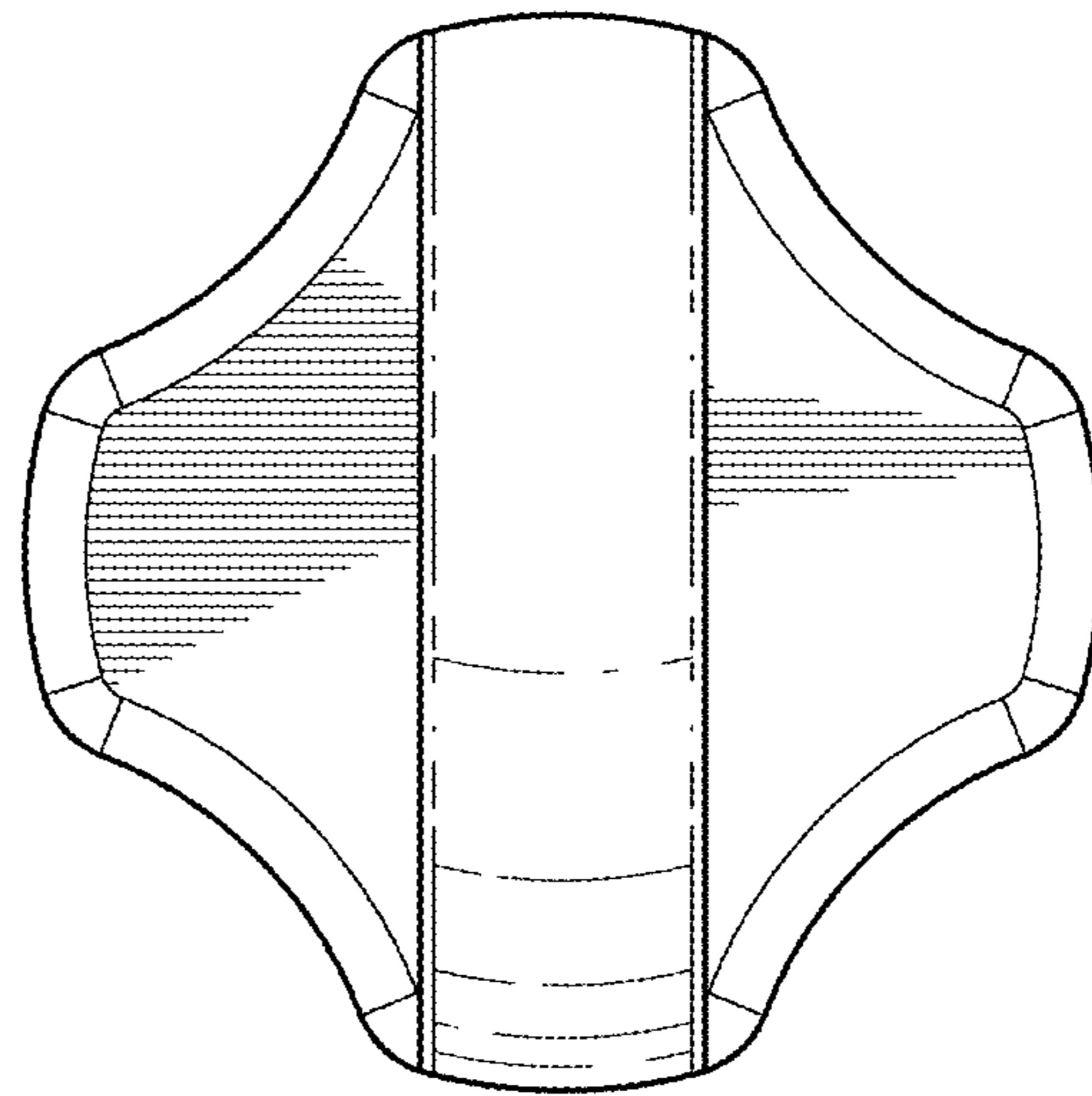


FIG. 2

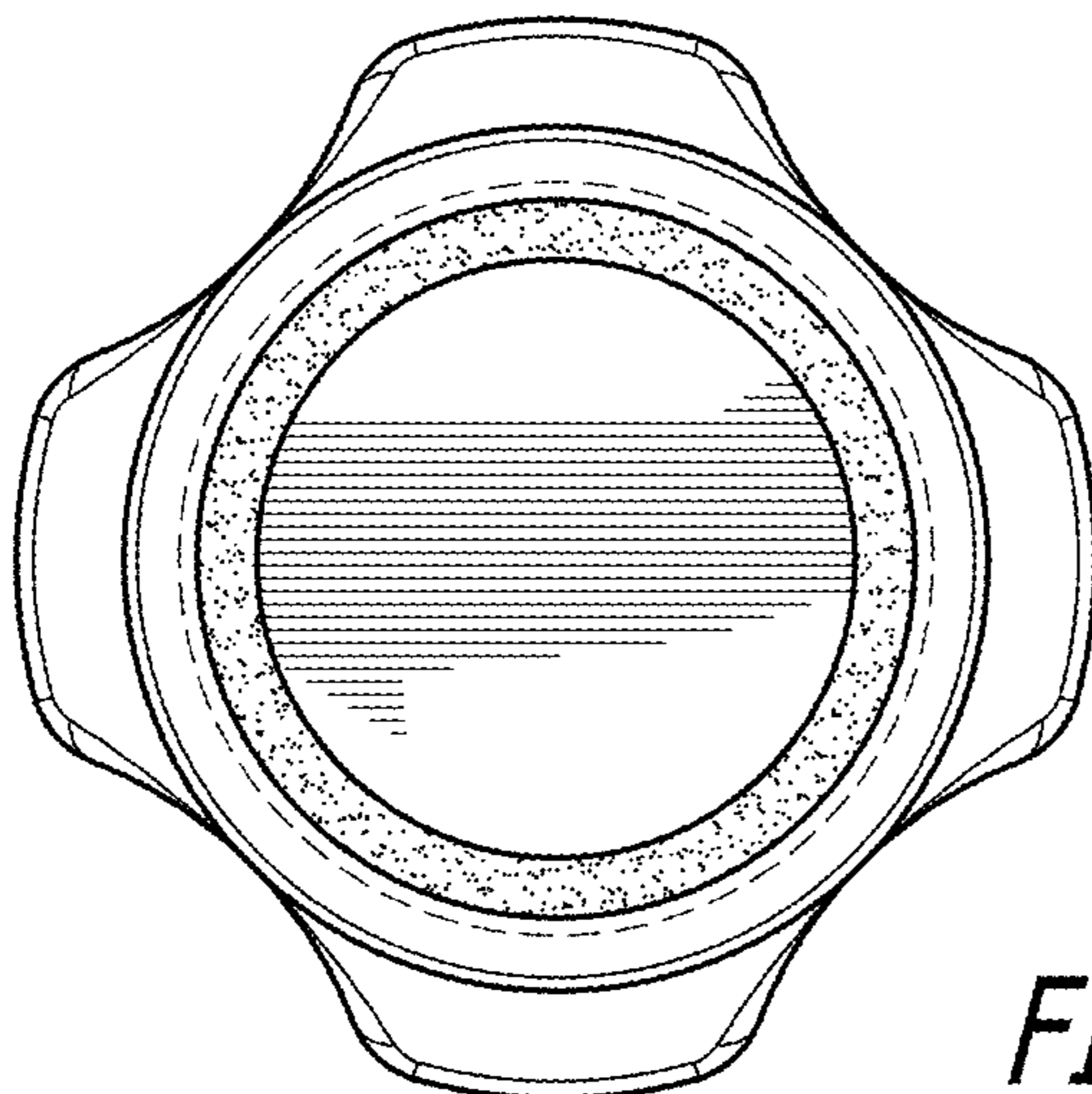


FIG. 3

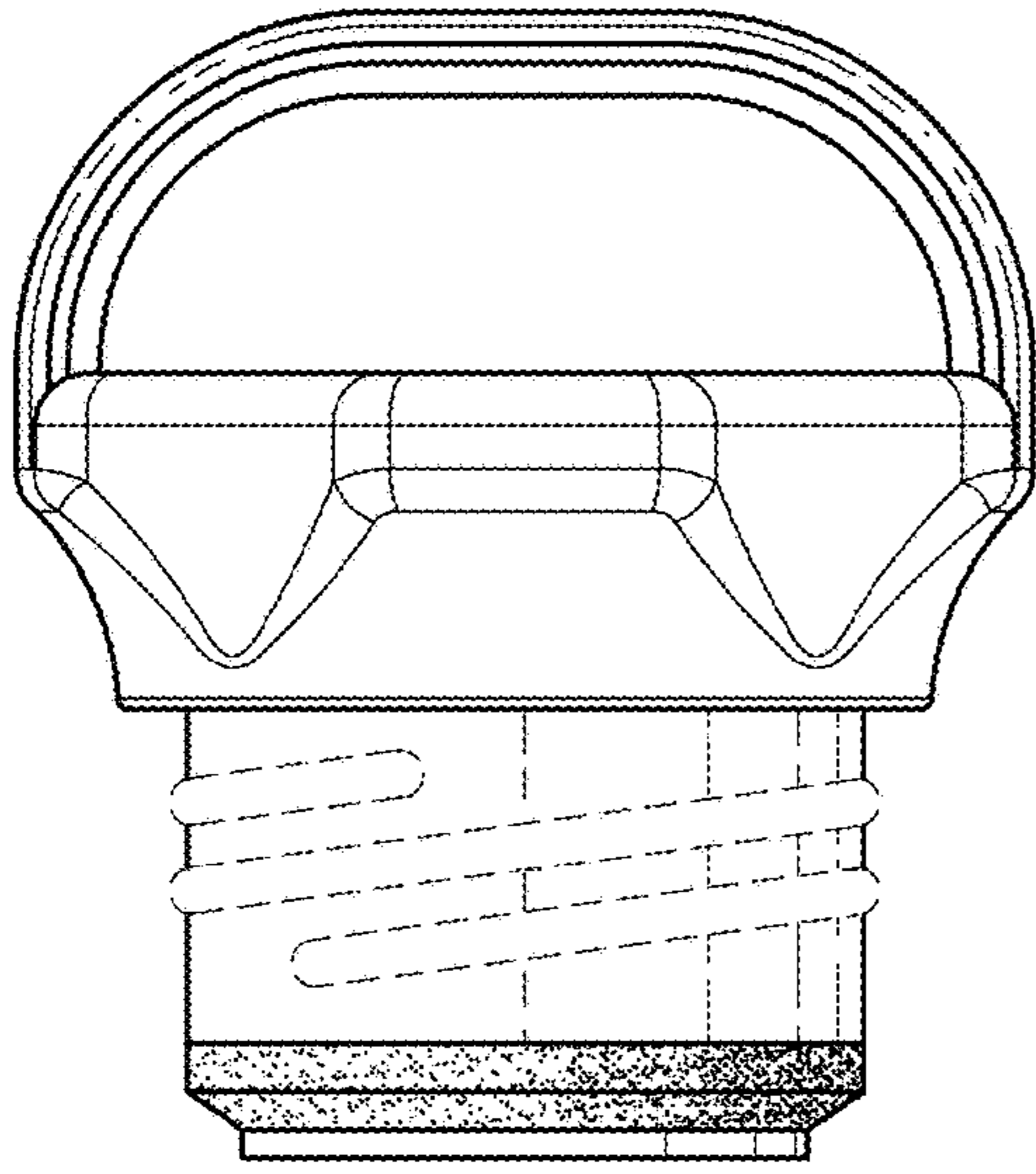


FIG. 4

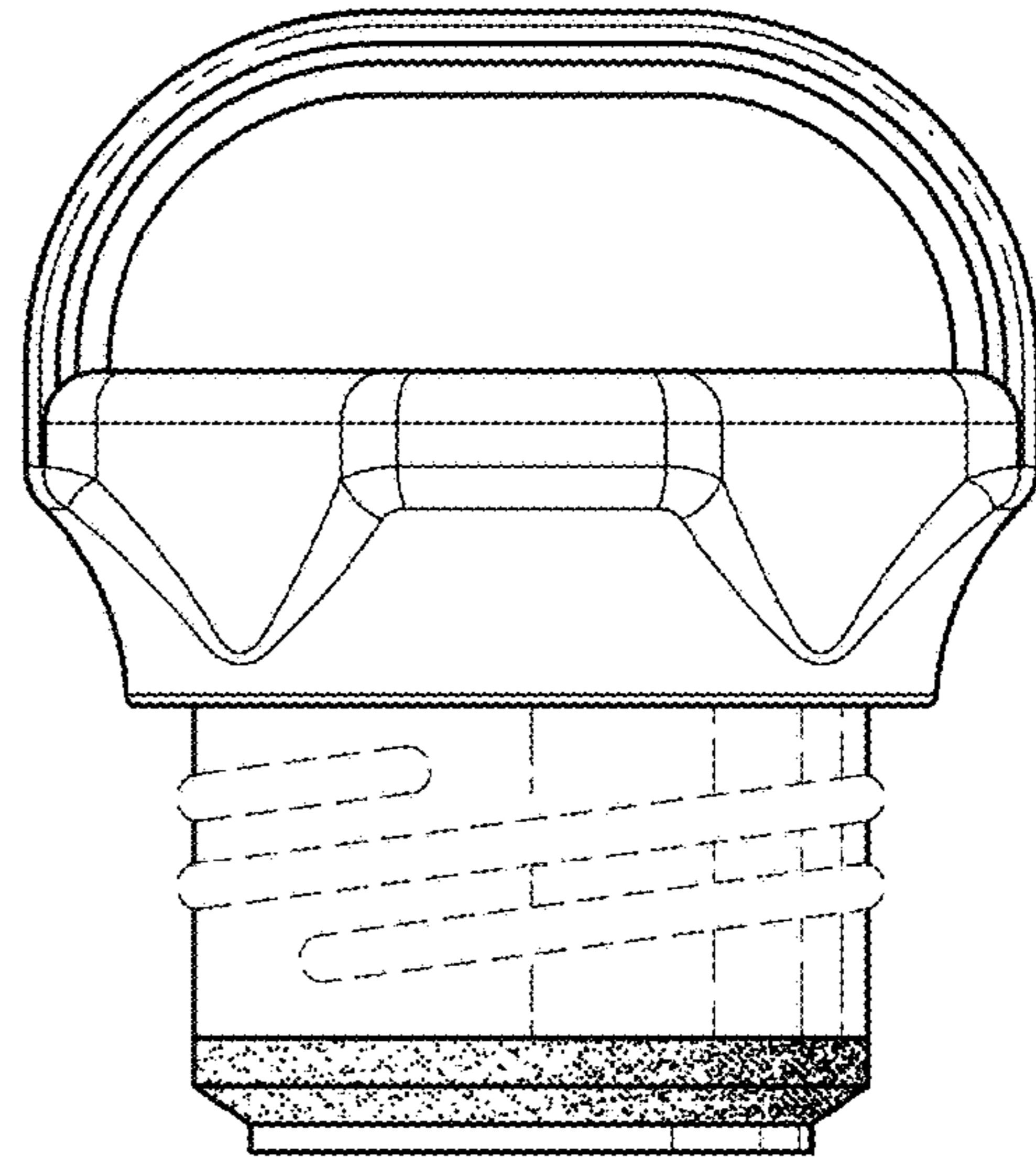


FIG. 5

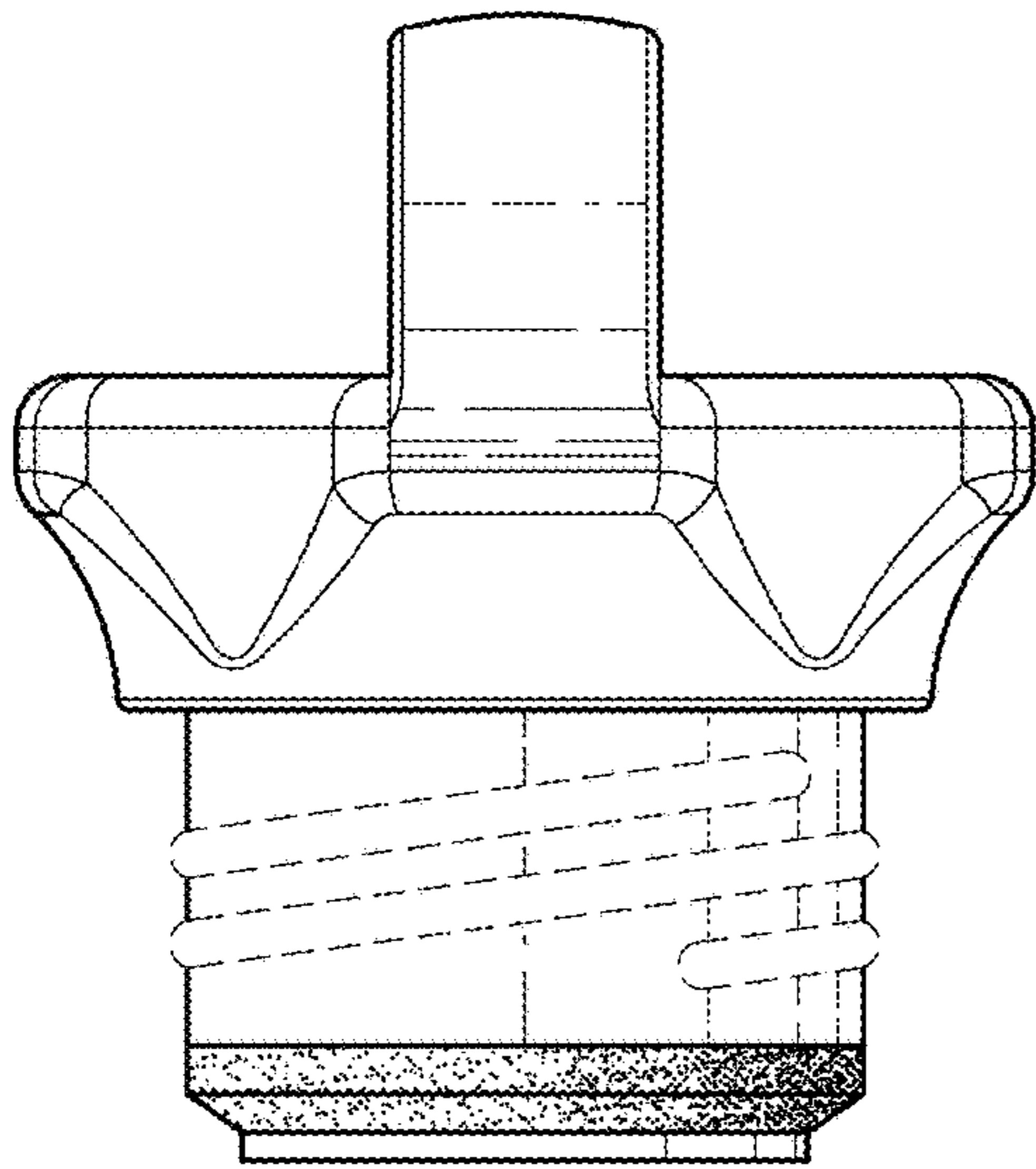


FIG. 6

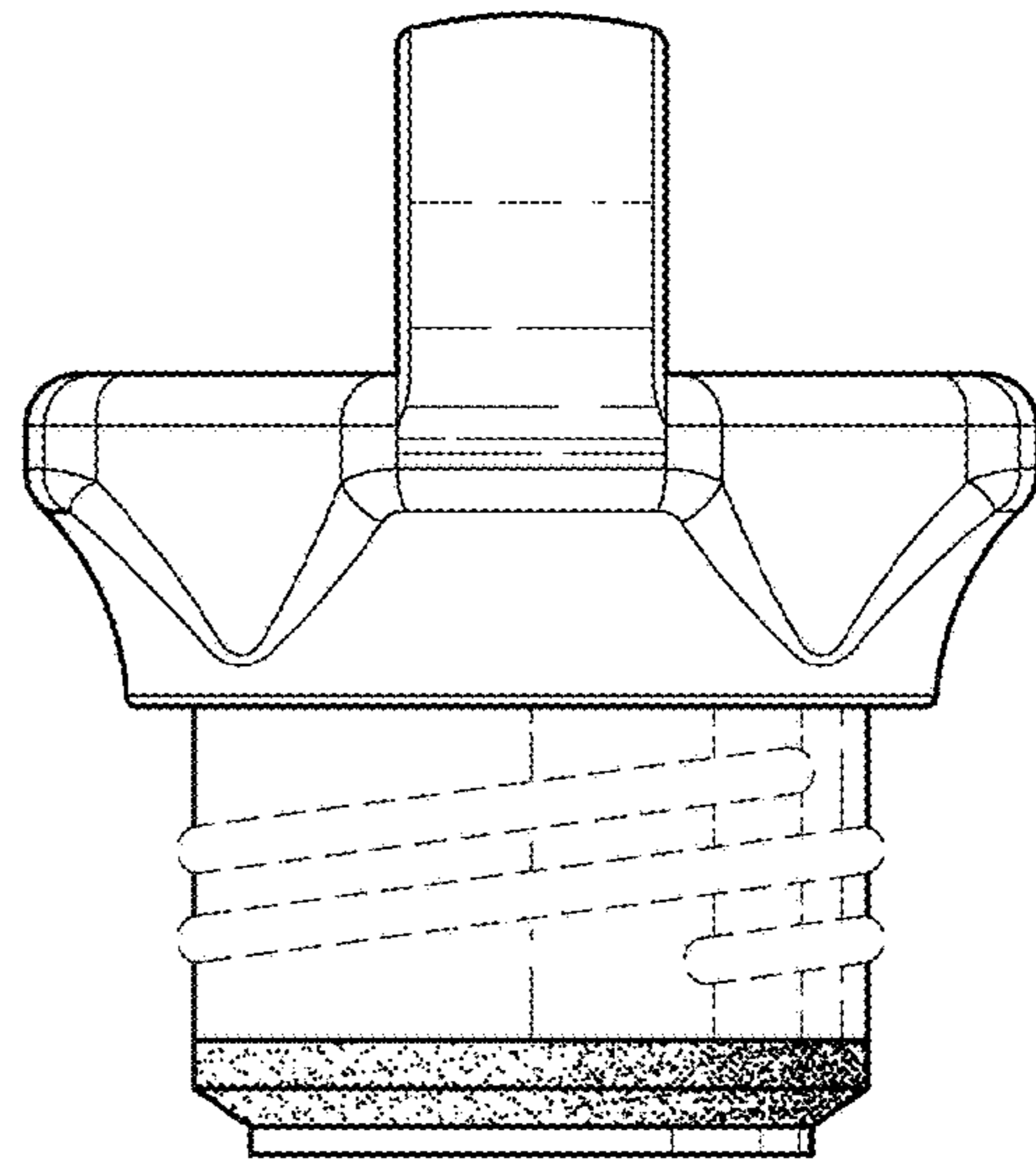


FIG. 7