



US00D792214S

(12) **United States Design Patent**
Kerill et al.

(10) **Patent No.:** **US D792,214 S**
(45) **Date of Patent:** **** Jul. 18, 2017**

(54) **OIL SPOUT**

(71) Applicants: **Bruce Kerill**, West Chicago, IL (US);
Carol Kerill, West Chicago, IL (US)

(72) Inventors: **Bruce Kerill**, West Chicago, IL (US);
Carol Kerill, West Chicago, IL (US)

(**) Term: **15 Years**

(21) Appl. No.: **29/583,844**

(22) Filed: **Nov. 9, 2016**

Related U.S. Application Data

(63) Continuation-in-part of application No. 29/560,330,
filed on Apr. 5, 2016.

(51) **LOC (10) Cl.** **09-07**

(52) **U.S. Cl.**
USPC **D9/442**; D9/447

(58) **Field of Classification Search**
USPC D9/414, 417, 428, 432, 434, 435,
D9/443-450, 452-456, 499, 682-685;
D7/387, 392, 392.1, 393, 396.1-396.4,
D7/398, 401.1, 507, 509-511, 538, 900;
D3/202, 294, 318; D28/91.1; D6/580,
D6/699, 699.4, 702; D8/349, 354, 382;
D23/211.1, 211.2, 213
CPC .. A61J 1/00; A61J 1/1412; B65D 1/00; B65D
1/02; B65D 1/10; B65D 1/46; B65D
2585/56; B65D 2585/545; B65D 41/00;
B65D 41/38; B65D 41/56; B65D 41/62;
B65D 47/00; B65D 47/06; B65D 47/08;
B65D 2543/00046; B65D 2543/00092;
B65D 2543/00296; B65D 5/46; B65D
2251/00

See application file for complete search history.

(56) **References Cited**

U.S. PATENT DOCUMENTS

270,810 A	1/1883	Kaye	
1,523,696 A	1/1925	Lewis	
1,983,101 A *	12/1934	Scribner	B65D 25/48 222/481
D209,871 S *	1/1968	Grebow	D9/447
D241,597 S *	9/1976	Confer et al.	141/331
4,426,027 A *	1/1984	Maynard, Jr.	B65D 47/063 222/529
D283,313 S *	4/1986	Taylor	D9/447
4,583,668 A *	4/1986	Maynard, Jr.	B65D 25/48 141/367
4,593,690 A *	6/1986	Sheridan	A61M 16/04 128/204.18
4,600,125 A *	7/1986	Maynard, Jr.	B67B 7/28 141/330
4,817,832 A	4/1989	Nagy	
4,832,238 A *	5/1989	Taylor	B65D 25/48 141/337
4,921,147 A *	5/1990	Poirier	B65D 25/44 138/121

(Continued)

Primary Examiner — Karen S Acker
Assistant Examiner — Wendy Arminio
(74) *Attorney, Agent, or Firm* — Charles F. Meroni, Jr.;
Meroni & Meroni, P.C.

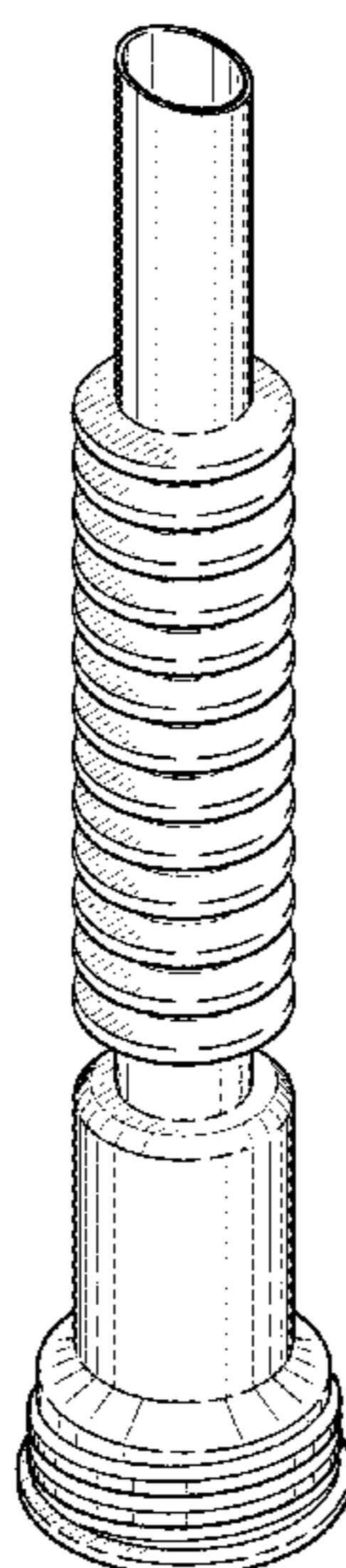
(57) **CLAIM**

The ornamental design for an oil spout, as shown and described.

DESCRIPTION

FIG. 1 is a top-front perspective view of the oil spout according to the present invention.
FIG. 2 is a side view of the oil spout.
FIG. 3 is the opposite side view thereof.
FIG. 4 is a front side view of the oil spout.
FIG. 5 top side view of the oil spout.
FIG. 6 is a back side view of the oil spout.
FIG. 7 is a bottom side view of the oil spout; and,
FIG. 8 is a bottom perspective view of the oil spout.

1 Claim, 4 Drawing Sheets



(56)

References Cited

U.S. PATENT DOCUMENTS

D310,172	S *	8/1990	Parker	D7/700
5,020,702	A *	6/1991	James	B67D 3/047 141/337
5,230,442	A	7/1993	Dean, Jr.		
D364,630	S *	11/1995	Akiona	D15/150
6,340,038	B1 *	1/2002	Ingram	B67C 11/02 141/333
6,363,905	B1	4/2002	Davis		
7,044,342	B2 *	5/2006	Carlton	B67D 7/005 222/481.5
7,624,899	B1 *	12/2009	Barksdale	B65D 47/061 215/43
D667,530	S *	9/2012	Wyne	D23/213
D672,239	S *	12/2012	Barksdale	D9/447
D699,320	S *	2/2014	Wyne	D23/213
8,701,929	B1	4/2014	Long		
8,727,187	B2 *	5/2014	Magley, II	B65D 47/32 222/481.5
D734,425	S	7/2015	Gilliam		
D736,907	S *	8/2015	McCracken	D24/110
D766,719	S *	9/2016	Magley	D9/442
D776,531	S *	1/2017	Magley	D9/442
D776,532	S *	1/2017	Magley	D9/442
D776,534	S *	1/2017	Stratton	D7/300.2
2002/0185494	A1	12/2002	Phillips		
2005/0040130	A1	2/2005	Bivens		
2010/0012686	A1	1/2010	Joehnk		
2013/0140334	A1	6/2013	Abell		
2016/0060005	A1 *	3/2016	Dodia	B65D 47/06 222/478

* cited by examiner

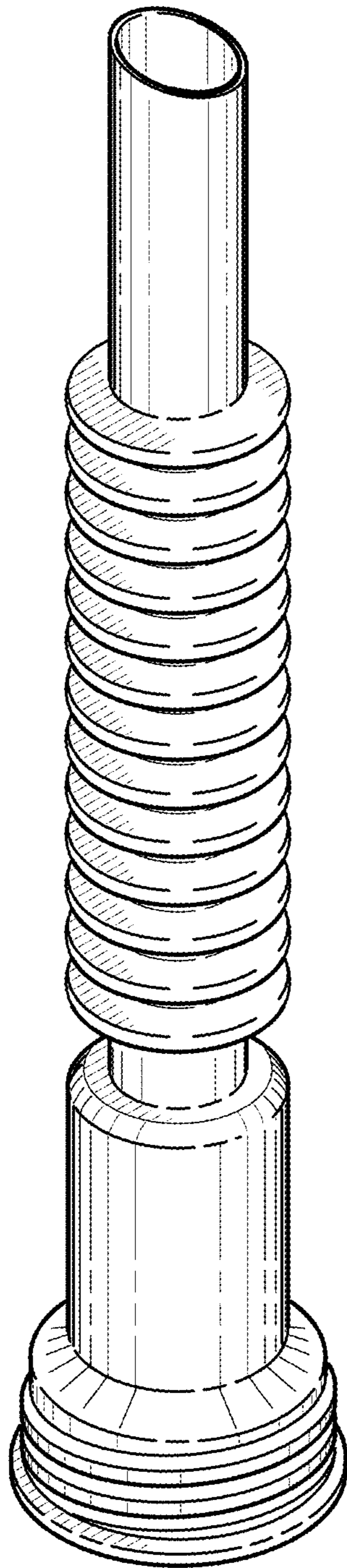


FIG. 1

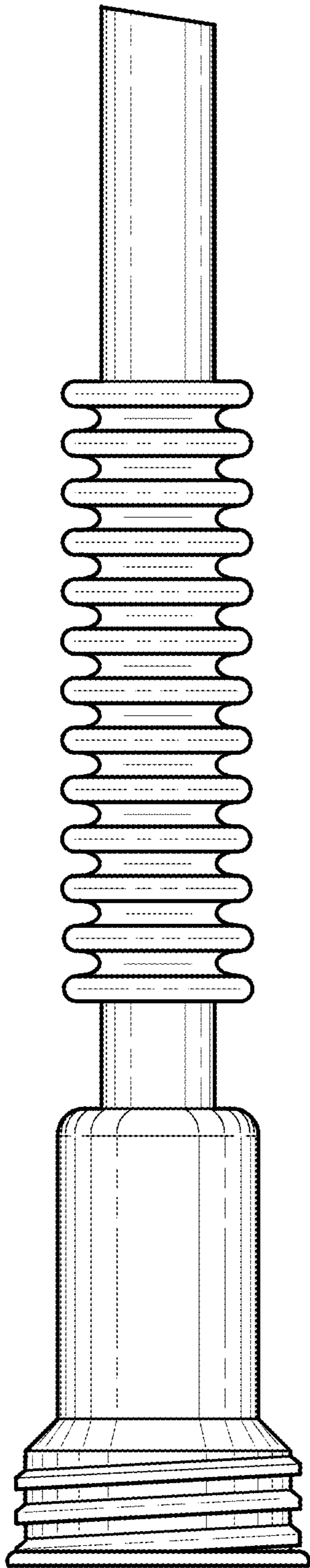


FIG. 2

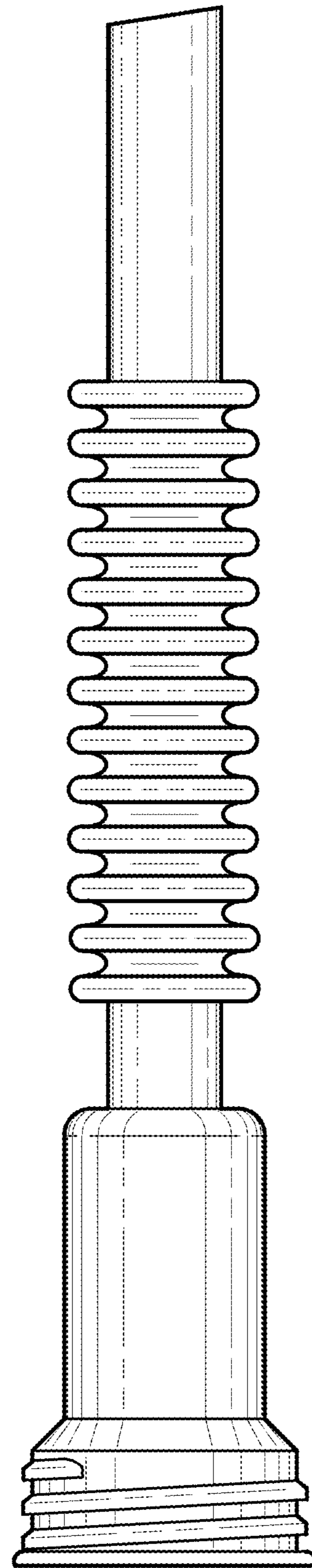
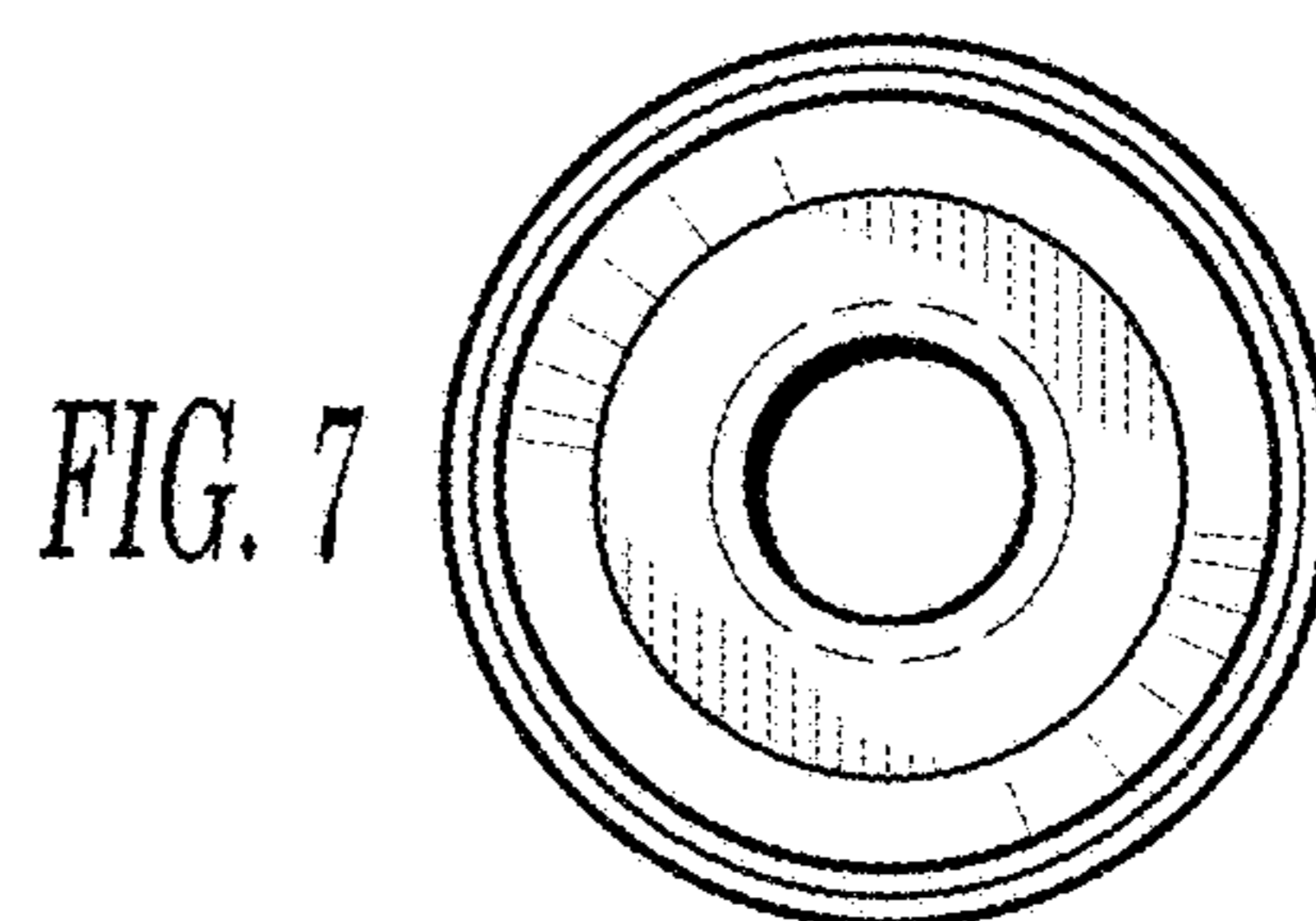
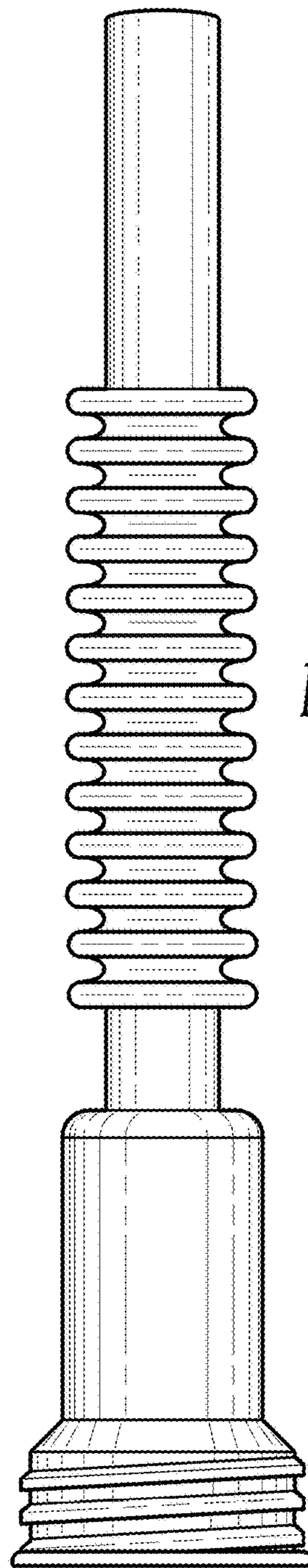
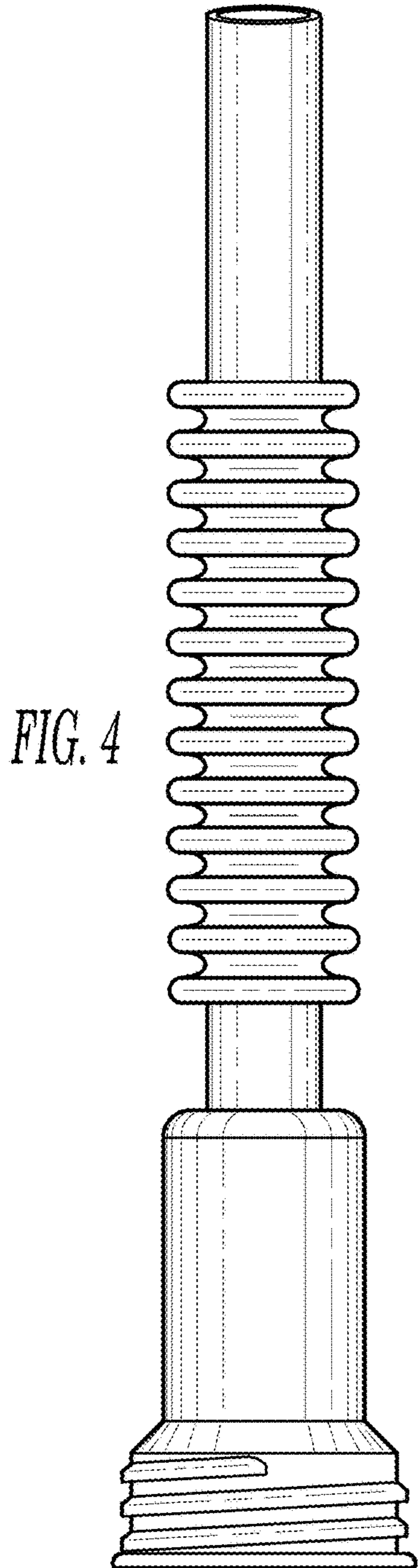
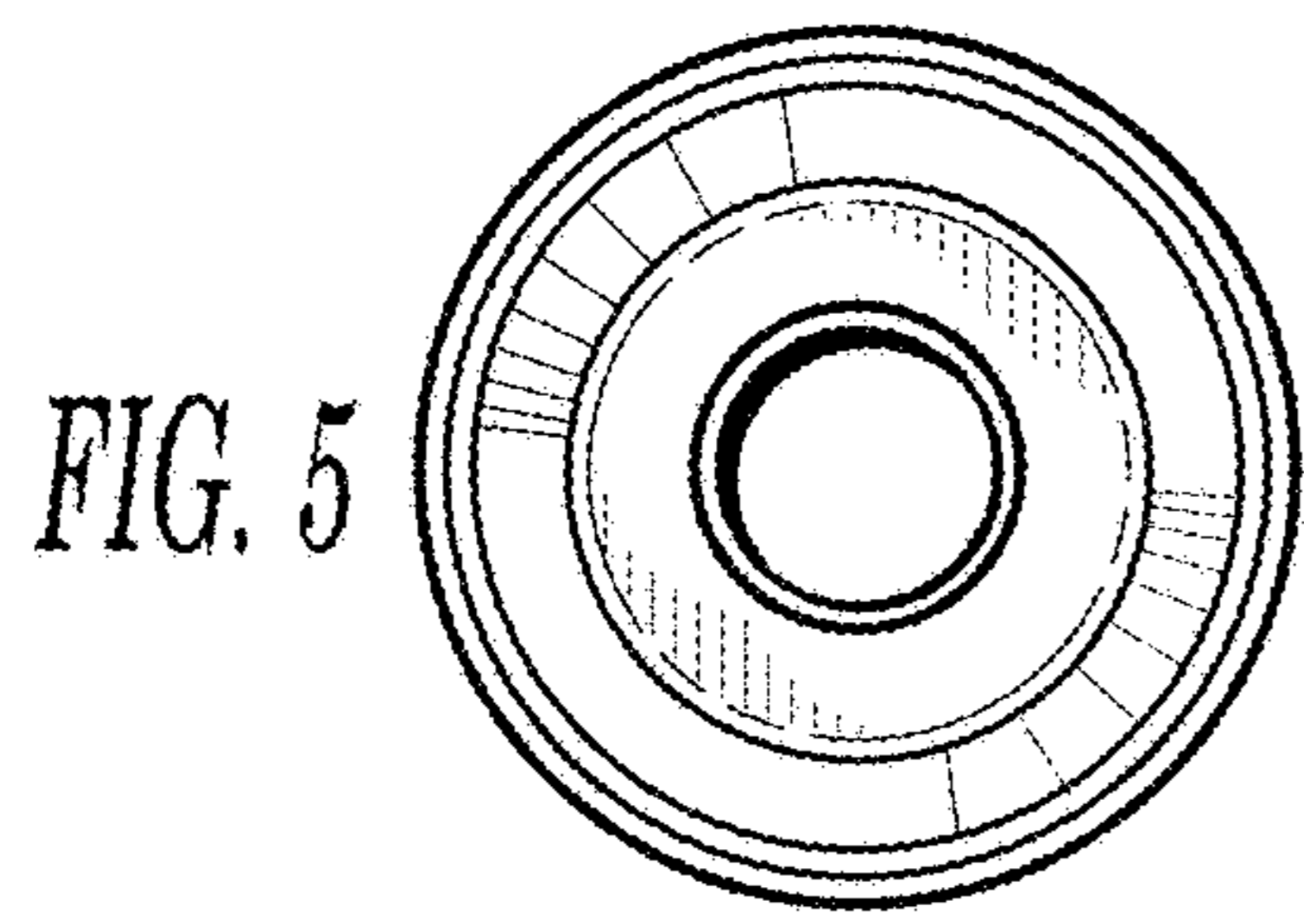


FIG. 3



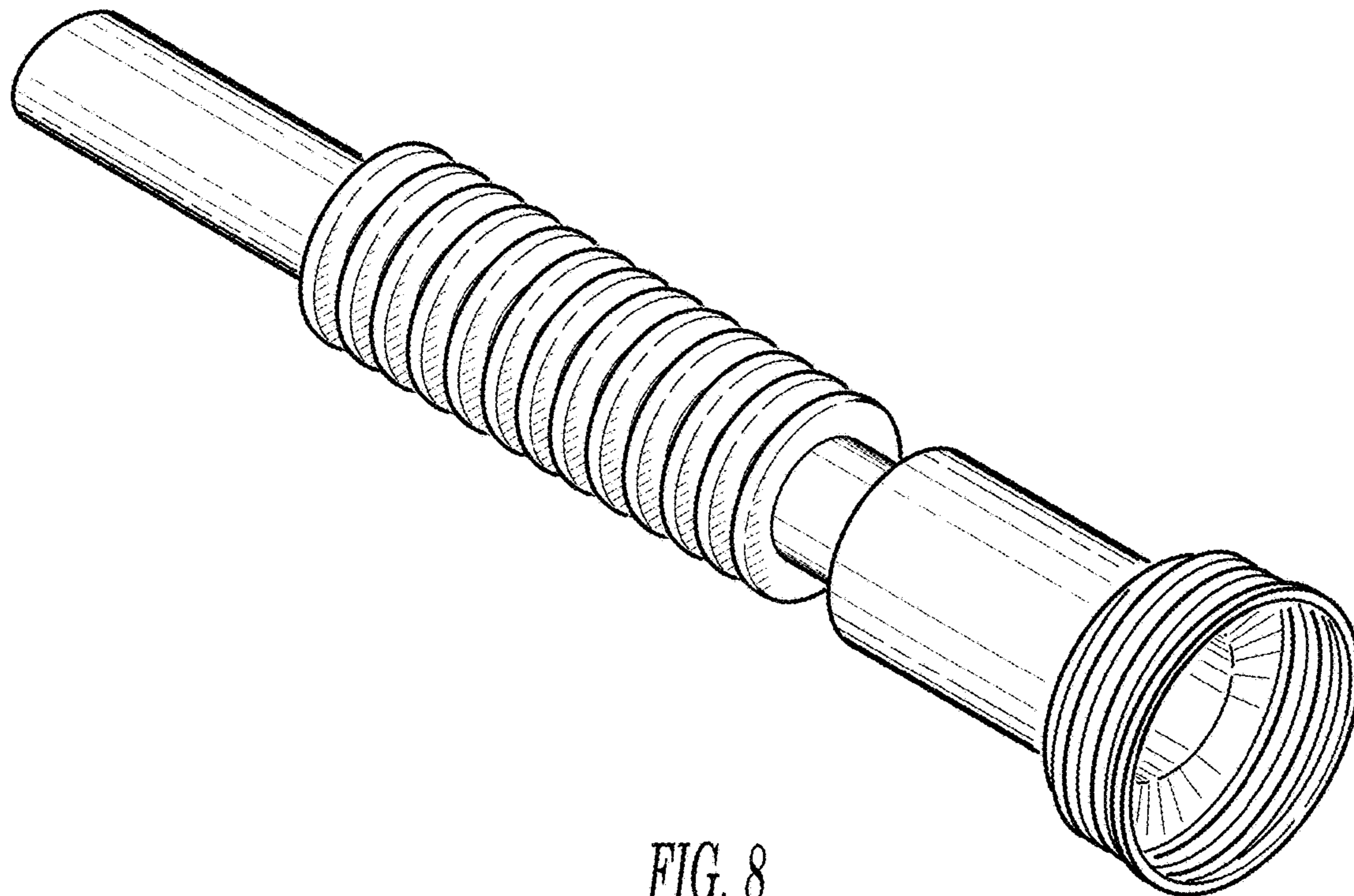


FIG. 8