

US00D792213S

(12) **United States Design Patent** (10) **Patent No.:** **US D792,213 S**
Schmal et al. (45) **Date of Patent:** **** Jul. 18, 2017**

(54) **CARTON**

(56)

References Cited

(71) Applicant: **Graphic Packaging International, Inc.**, Atlanta, GA (US)

(72) Inventors: **Michael R. Schmal**, Atlanta, GA (US); **O'Neal Alexander**, Covington, GA (US); **Mark Baldino**, Marietta, GA (US); **Michael Cerio**, Kennesaw, GA (US); **John Murdick Holley, Jr.**, Lawrenceville, GA (US); **Frank N. Moncrief**, Acworth, GA (US); **Raymond S. Kastanek**, Kennesaw, GA (US); **Colin Ford**, Woodstock, GA (US)

(73) Assignee: **Graphic Packaging International, Inc.**, Atlanta, GA (US)

(**) Term: **14 Years**

(21) Appl. No.: **29/514,236**

(22) Filed: **Jan. 9, 2015**

U.S. PATENT DOCUMENTS

1,527,204 A	2/1925	McCormick	
2,014,461 A	7/1935	Anton	
D112,844 S *	1/1939	Medoff	D9/418
2,196,502 A	4/1940	Kells	
2,331,137 A	10/1943	Rous	
2,877,894 A	3/1959	Forrer	
2,899,051 A	8/1959	Barnby	
2,926,782 A	3/1960	Andre	
2,933,867 A	4/1960	Gentry	
2,974,454 A	3/1961	Andre et al.	
3,013,796 A	12/1961	Currie, Jr. et al.	
3,015,923 A	1/1962	Dotzenroth	
3,016,663 A	1/1962	Holmes	
3,032,945 A	5/1962	Currie, Jr. et al.	
3,034,270 A	5/1962	Nigrelli et al.	
3,045,401 A	7/1962	Ganz	
3,108,414 A	10/1963	Schleicher et al.	
3,128,034 A	4/1964	Weiss	
3,142,378 A	7/1964	Lengsfeld, Jr.	
3,152,688 A	10/1964	Mahon	
3,166,879 A	1/1965	Chidsey, Jr. et al.	
3,167,214 A	1/1965	Mahon	
3,176,902 A	4/1965	Champlin	
3,186,136 A	6/1965	Ganz	
3,190,193 A	6/1965	Randles, Jr.	
3,196,588 A	7/1965	Chidsey, Jr.	
3,197,937 A	8/1965	Ganz	
3,203,153 A	8/1965	Wood	
3,206,097 A	9/1965	Holmes	
3,229,892 A	1/1966	Weiss	
3,252,649 A	5/1966	Graser et al.	
3,253,381 A	5/1966	Wood	
3,255,919 A	6/1966	Koolnis	
RE26,083 E	9/1966	Forrer	
3,300,947 A	1/1967	Fahrenbach	
3,306,519 A	2/1967	Wood	
3,332,199 A	7/1967	Wong	
3,337,043 A	8/1967	Parker	
D208,591 S	9/1967	Bozek	
3,355,012 A	11/1967	Weiss	
D209,786 S	1/1968	Schwartz	
3,367,557 A	2/1968	Farquhar	
3,385,429 A	5/1968	Becker	
3,386,570 A	6/1968	Lock	
3,386,643 A	6/1968	Gentry	
3,387,428 A	6/1968	Currie, Jr.	
3,415,033 A	12/1968	Perry et al.	
3,432,029 A	3/1969	Brown	
3,474,590 A	10/1969	Ganz	

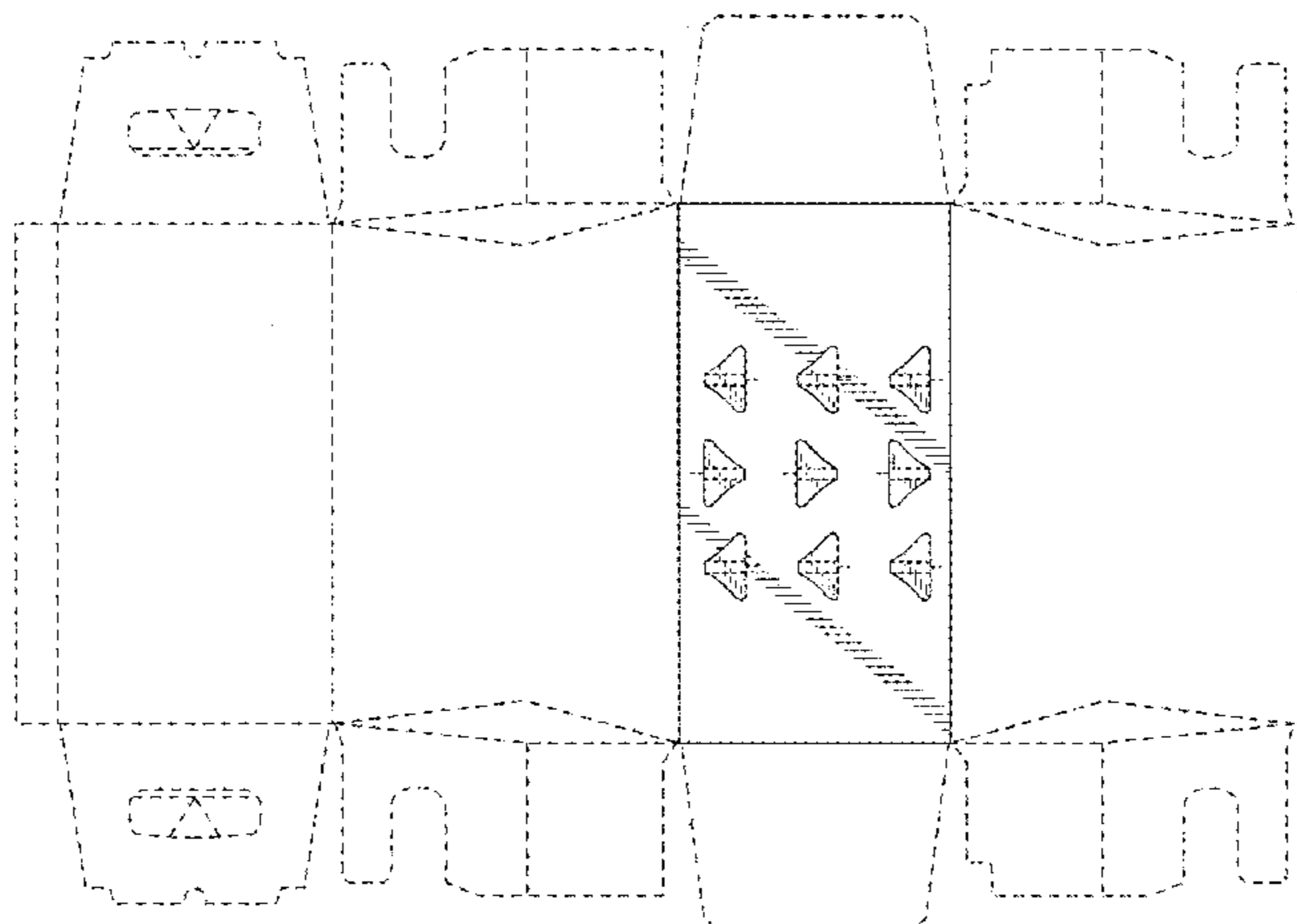
Related U.S. Application Data

(63) Continuation of application No. 13/419,740, filed on Mar. 14, 2012, now Pat. No. 9,284,084.

(51) **LOC (10) Cl.** **09-03**

(52) **U.S. Cl.**
USPC **D9/434; D9/430**

(58) **Field of Classification Search**
USPC D9/414-418, 420-427, 430-434;
D3/270, 272, 273; D7/213, 601, 602
CPC B65D 5/00-5/02; B65D 5/0209-5/0272;
B65D 5/029; B65D 5/40; B65D 5/72;
B65D 5/727; B65D
2571/00123-2571/00209; B65D 35/04;
B65D 35/56; B65D 67/00; B65D 81/36;
B65D 81/60; B65D 81/368
See application file for complete search history.



International Search Report and Written Opinion for PCT/US2013/030776 dated Jun. 27, 2013.
U.S. Appl. No. 14/621,767, filed Feb. 13, 2015.
U.S. Appl. No. 14/621,784, filed Feb. 13, 2015.
U.S. Appl. No. 14/621,798, filed Feb. 13, 2015.
International Search Report and Written Opinion for PCT/US2012/029022 dated Sep. 26, 2012.
International Search Report and Written Opinion for PCT/US2013/031288 dated Jun. 13, 2013.
International Search Report and Written Opinion for PCT/US2014/037642 dated Sep. 5, 2014.
International Search Report and Written Opinion for PCT/US2014/033445 dated Sep. 5, 2014.
Supplementary Partial European Search Report for EP 12 78 2928 dated Nov. 28, 2014.
International Search Report and Written Opinion for PCT/US2012/060948 dated Mar. 28, 2013.
International Search Report and Written Opinion for PCT/US2013/031205 dated Nov. 26, 2013.
Office Action for U.S. Appl. No. 13/419,740 dated Sep. 16, 2013.
Response to Restriction Requirement for U.S. Appl. No. 13/419,740 dated Oct. 15, 2013.
Office Action for U.S. Appl. No. 13/419,740 dated Dec. 4, 2013.
Amendment A and Response to Office Action for U.S. Appl. No. 13/419,740 dated Mar. 4, 2014.
Office Action for U.S. Appl. No. 13/419,740 dated Jun. 11, 2014.
Request for Continued Examination (RCE) Transmittal for U.S. Appl. No. 13/419,740 dated Sep. 11, 2014.
Amendment B and Response to Final Office Action for U.S. Appl. No. 13/419,740 dated Sep. 11, 2014.
Office Action for U.S. Appl. No. 13/419,740 dated Sep. 19, 2014.
Amendment C and Response to Office Action for U.S. Appl. No. 13/419,740 dated Dec. 19, 2014.
Office Action for U.S. Appl. No. 13/419,740 dated Jan. 5, 2015.
Request for Continued Examination (RCE) Transmittal for U.S. Appl. No. 13/419,740 dated Feb. 3, 2015.

Amendment D and Response to Final Office Action for U.S. Appl. No. 13/419,740 dated Feb. 3, 2015.
Supplementary European Search Report for EP 13 87 7522 dated Sep. 23, 2016.
Supplementary European Search Report for EP 14 78 2642 dated Oct. 25, 2016.

* cited by examiner

Primary Examiner — Vy Koenig
(74) *Attorney, Agent, or Firm* — Womble Carlyle Sandridge & Rice, LLP

(57) **CLAIM**

The ornamental design for a carton, as shown and described.

DESCRIPTION

FIG. 1 is a plan view of a carton in a flat, blank configuration showing our new design.
FIG. 2 is a perspective view of a carton in an assembled configuration showing our new design.
FIG. 3 is a bottom view of the carton of FIG. 2.
FIG. 4 is a top view of the carton of FIG. 2.
FIG. 5 is a front elevation view of the carton of FIG. 2, the back elevation view being identical to the front elevation view; and,
FIG. 6 is a left side elevation view of the carton of FIG. 2, the right side elevation view being identical to the left side elevation view.
The broken lines shown herein depict portions of the carton that form no part of the claimed design.

1 Claim, 4 Drawing Sheets

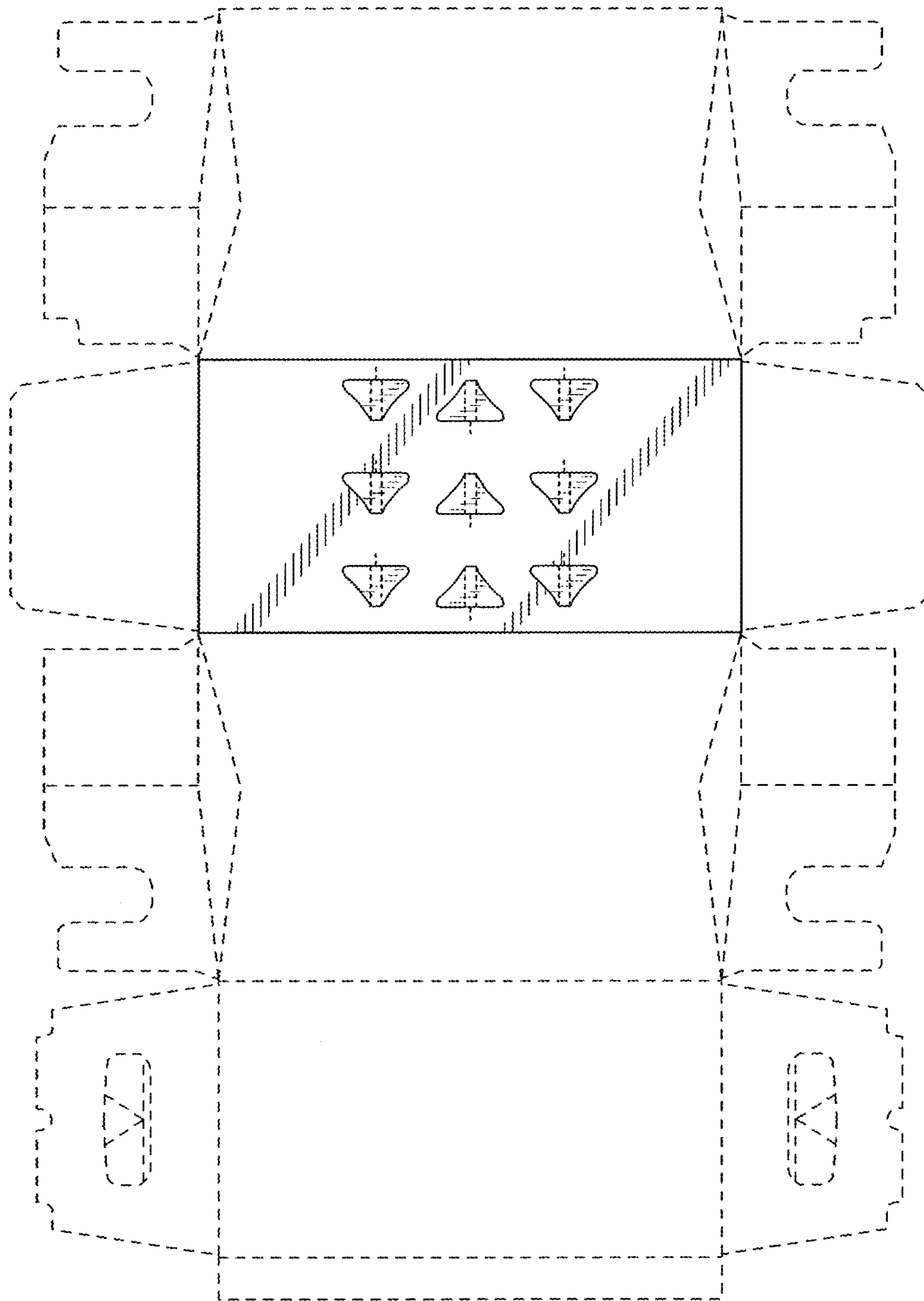


FIG. 1

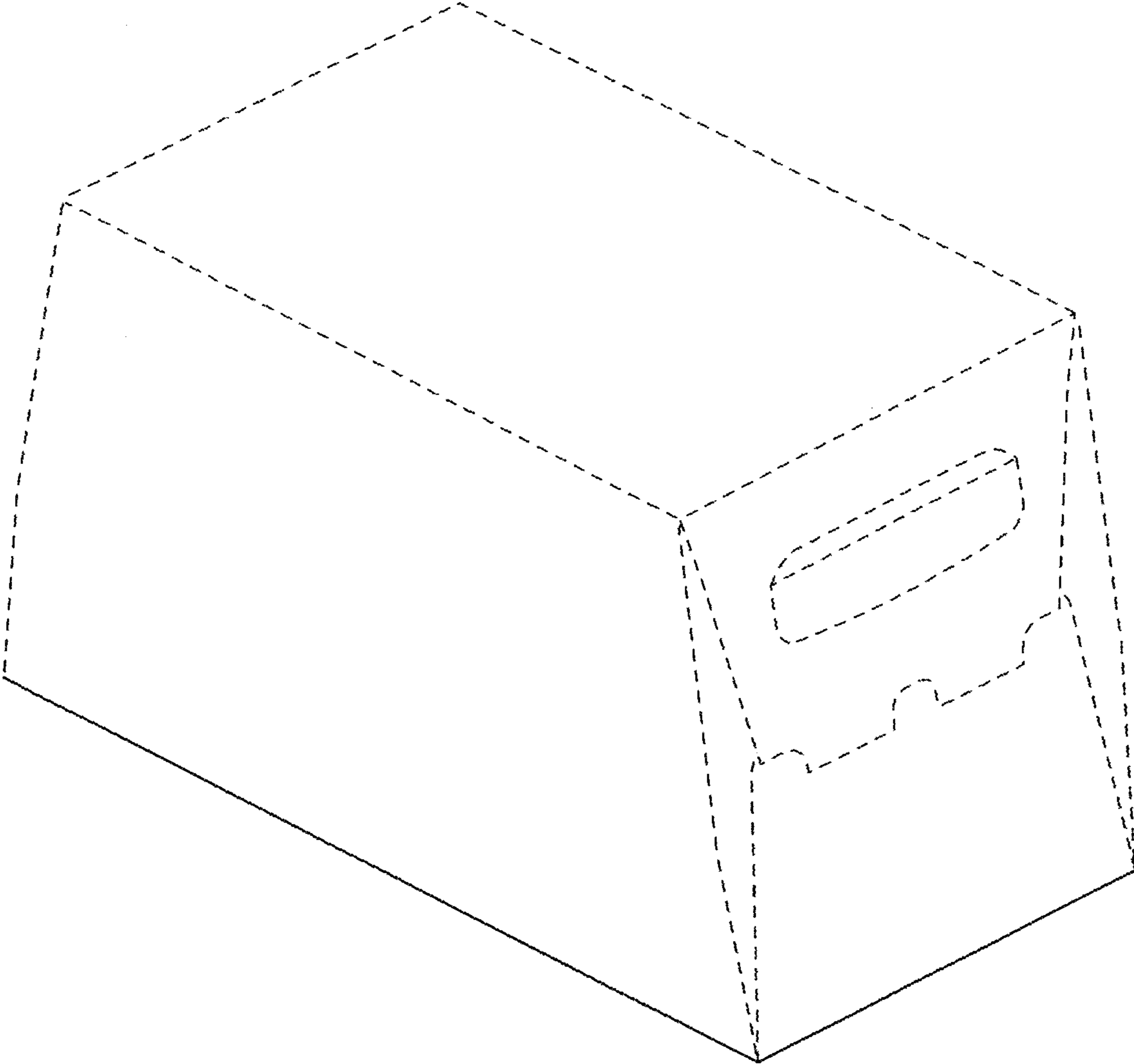


FIG. 2

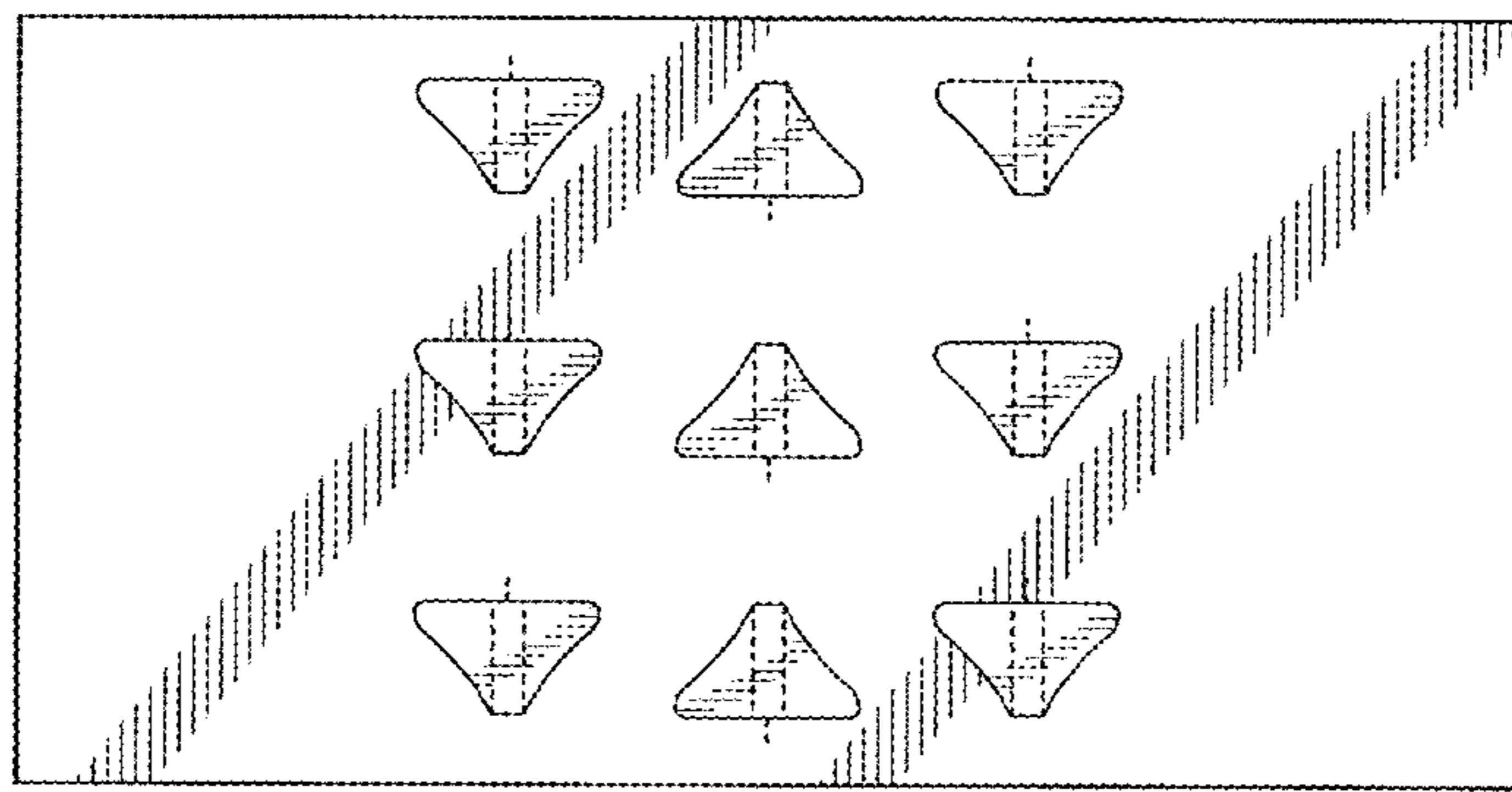


FIG. 3

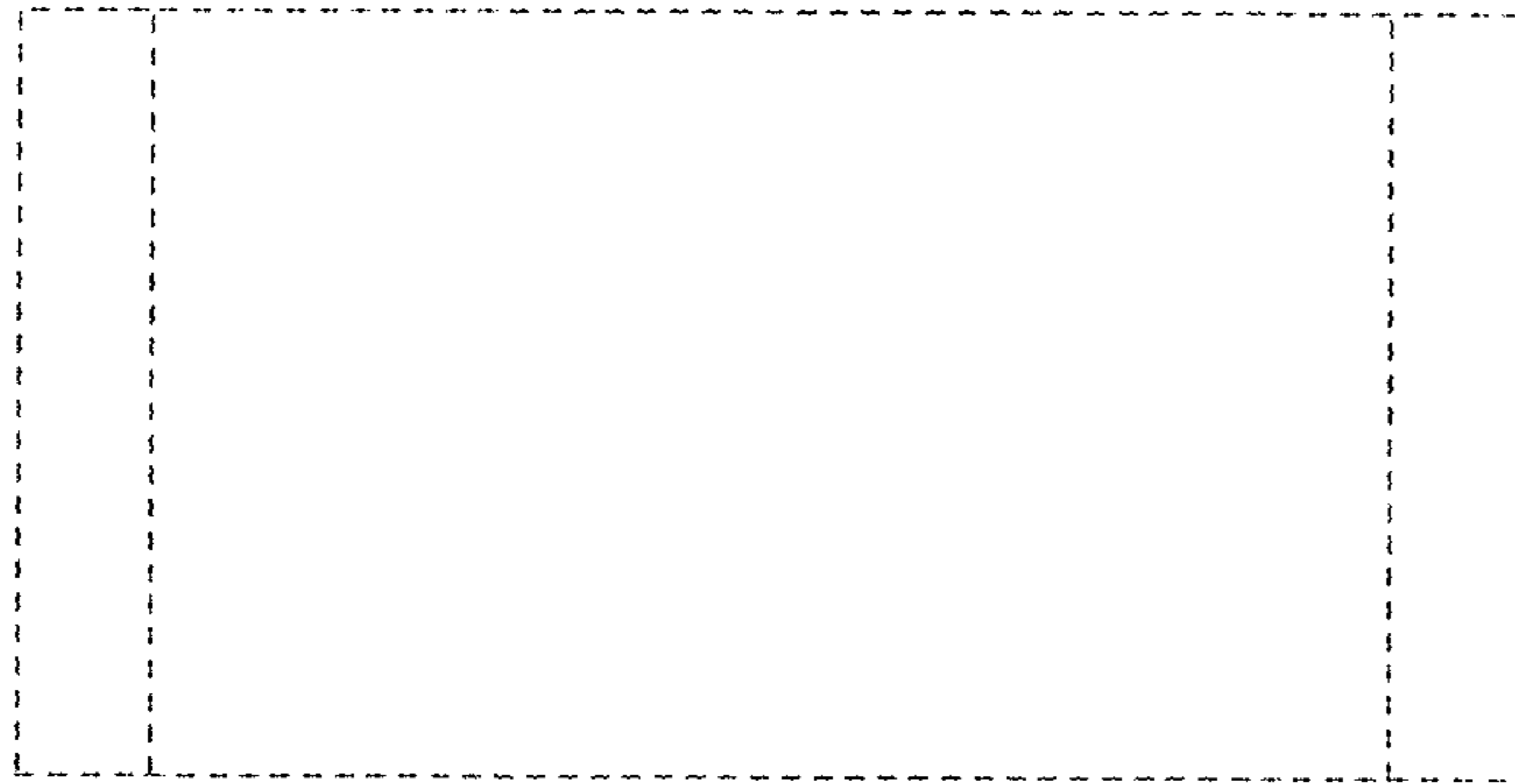


FIG. 4

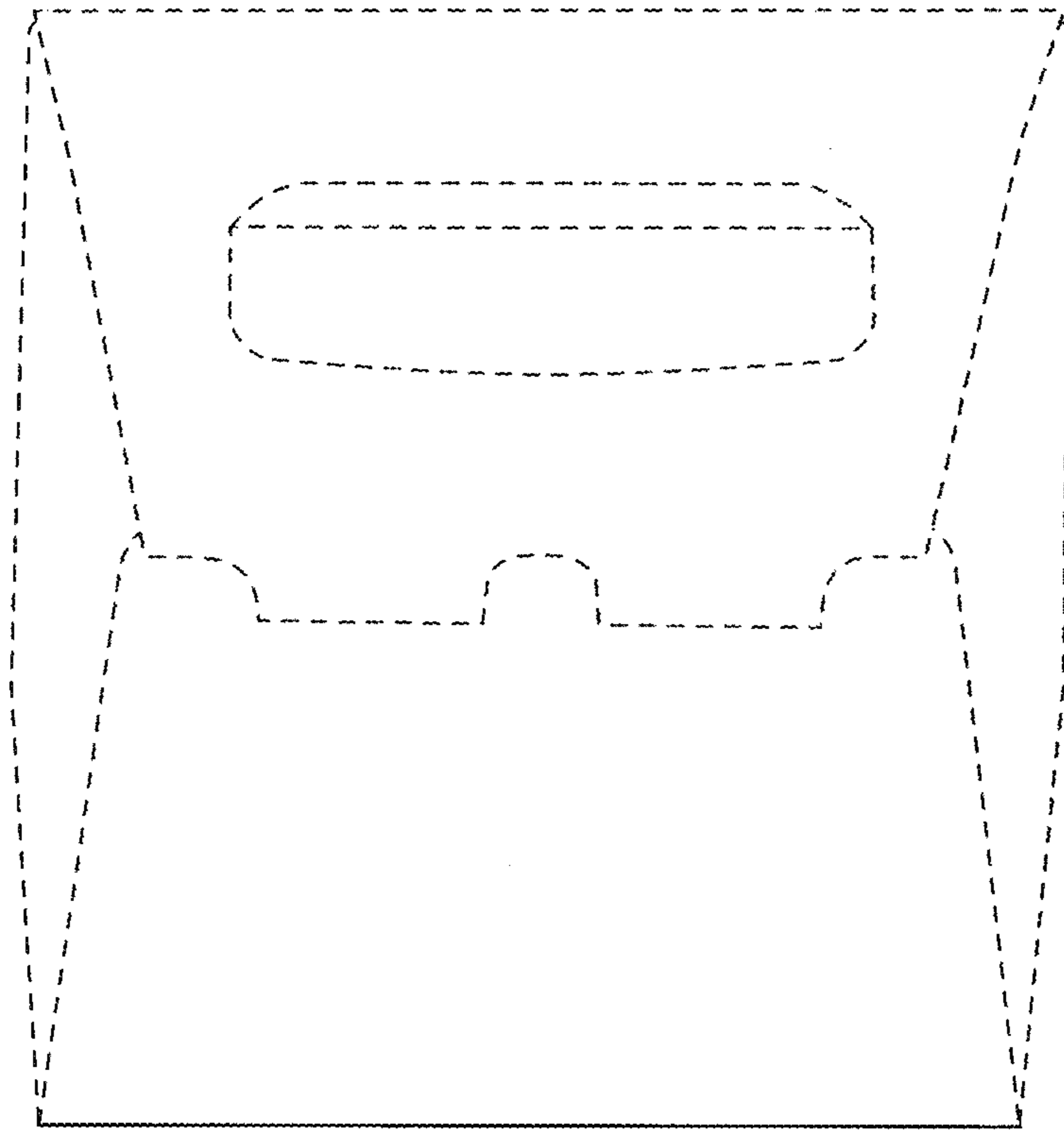


FIG. 5

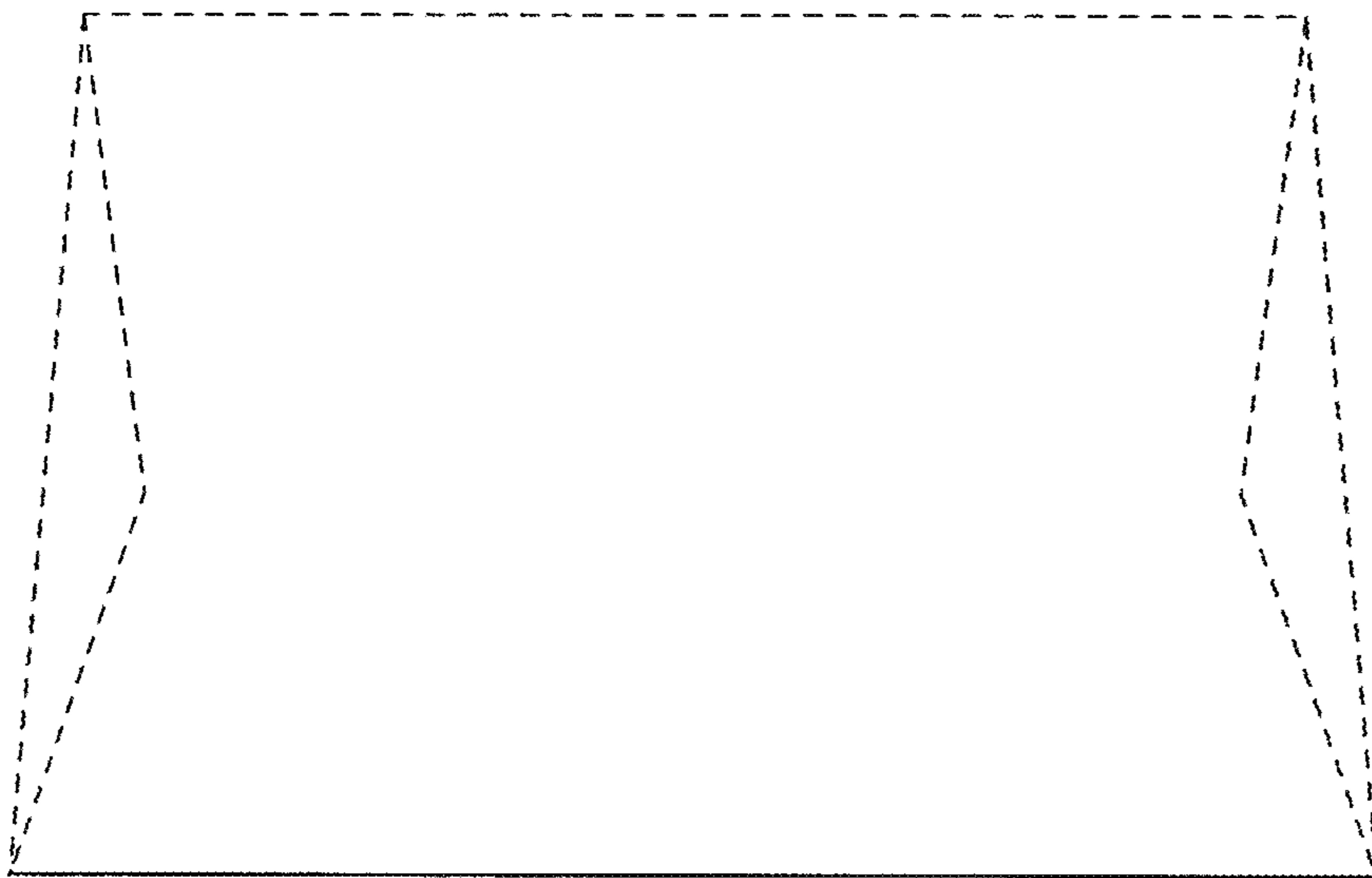


FIG. 6