



US00D792211S

(12) **United States Design Patent**
Foster et al.

(10) **Patent No.:** **US D792,211 S**
(45) **Date of Patent:** **** Jul. 18, 2017**

- (54) **TRAY**
- (71) Applicant: **Printpack Illinois, Inc.**, Elgin, IL (US)
- (72) Inventors: **David T. Foster**, Williamsburg, VA (US); **Patrick L. O'Brien**, Toano, VA (US)
- (73) Assignee: **Printpack Illinois, Inc.**, Elgin, IL (US)

D595,155 S *	6/2009	Larson	D9/425
D599,611 S *	9/2009	Hoekstra	D7/354
D608,153 S *	1/2010	Furlong	D7/602
D666,058 S *	8/2012	Liang	D7/541
D713,741 S *	9/2014	Wilmers	D9/424
2005/0124521 A1 *	6/2005	Sadlowski	D06F 39/024 510/295

- (**) Term: **15 Years**
- (21) Appl. No.: **29/560,276**
- (22) Filed: **Apr. 5, 2016**
- (51) **LOC (10) Cl.** **09-03**
- (52) **U.S. Cl.**
USPC **D9/425**

- (58) **Field of Classification Search**
USPC D7/396.1, 538-545, 602, 608, 629;
D9/414, 420, 424-429, 432, 761;
206/499, 508, 557; 220/23.4, 23.6, 315,
220/500, 659, 669, 674, 675, 696, 752,
220/760, 790, 793; 229/105, 117.09,
229/117.26, 189, 406, 407, 902, 905
CPC ... B65D 1/26; B65D 1/34; B65D 1/36; B65D
1/40; B65D 1/0223; B65D 25/04; B65D
43/0212; B65D 79/005; B65D 81/34;
B65D 81/3453; B65D 2543/00027; B65D
2543/00648; B65D 2581/34; B65D
2581/3404; B65D 2581/3456
See application file for complete search history.

- (56) **References Cited**
U.S. PATENT DOCUMENTS
D224,662 S * 8/1972 Swett D7/546
D232,302 S * 8/1974 Lazure D9/761
D442,484 S * 5/2001 Maxwell D7/629
D530,625 S * 10/2006 Darin D7/602

OTHER PUBLICATIONS

“Kraft Homestyle Macaroni & Cheese Microwaveable Bowls,” dated Oct. 1, 2012, www.shescribes.com/2012/10/kraft-homestyle-macaroni-cheese-microwaveable-bowls.html, 4 pages, accessed May 3, 2016.
U.S. Trademark Registration No. 2,052,071, Registered Apr. 14, 1997.
U.S. Trademark Registration No. 2,052,069, Registered Apr. 15, 1997.

* cited by examiner

Primary Examiner — Derrick Holland
Assistant Examiner — Janice Lim
(74) *Attorney, Agent, or Firm* — Eversheds Sutherland (US) LLP

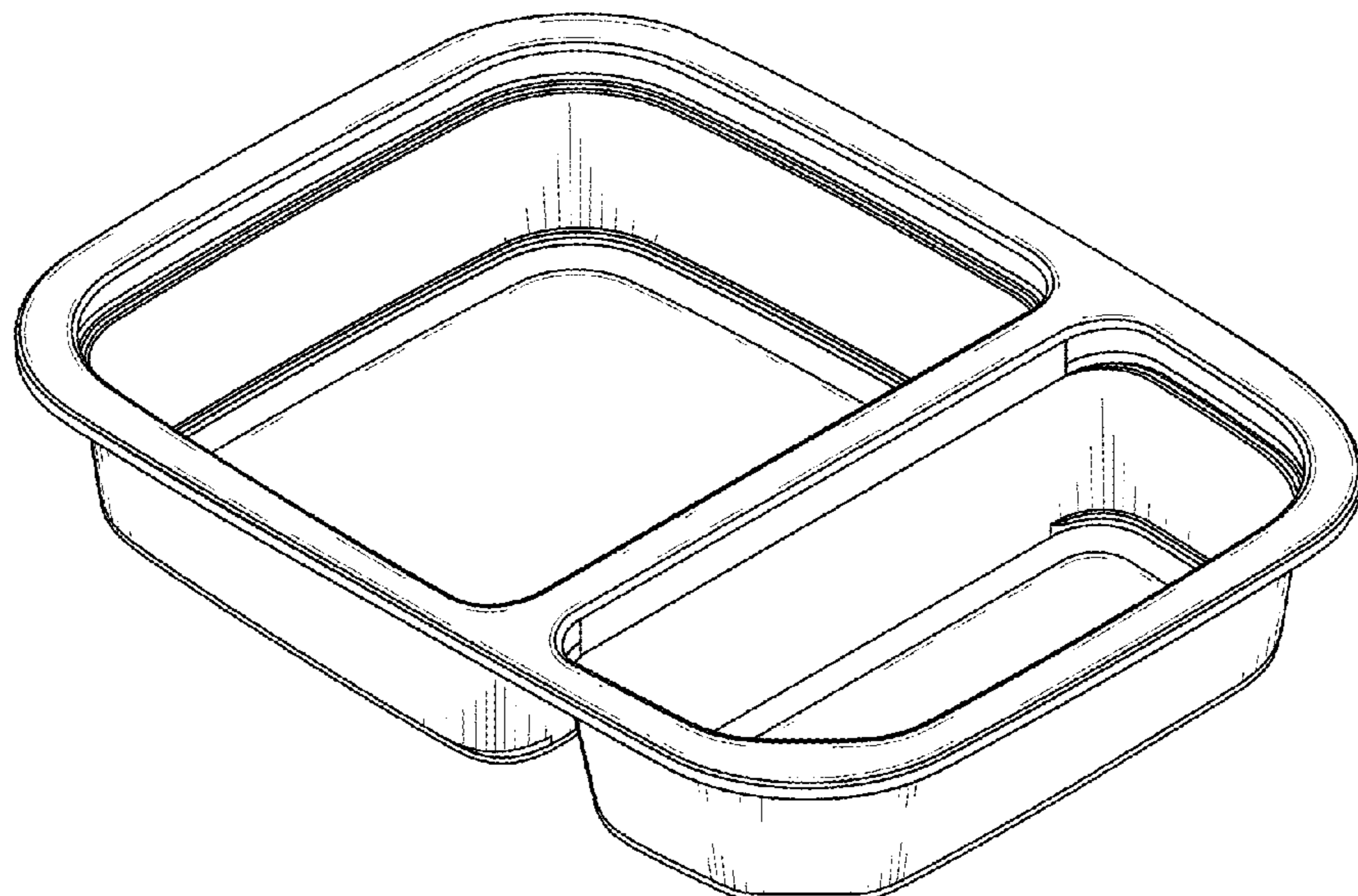
(57) **CLAIM**

The ornamental design for a tray, as shown and described.

DESCRIPTION

FIG. 1 is a top perspective view of a tray showing our new design;
FIG. 2 is a bottom perspective view thereof;
FIG. 3 is a top view thereof;
FIG. 4 is a bottom view thereof;
FIG. 5 is a side view thereof;
FIG. 6 is an opposite side view thereof;
FIG. 7 is a front view thereof; and,
FIG. 8 is a rear view thereof.

1 Claim, 3 Drawing Sheets



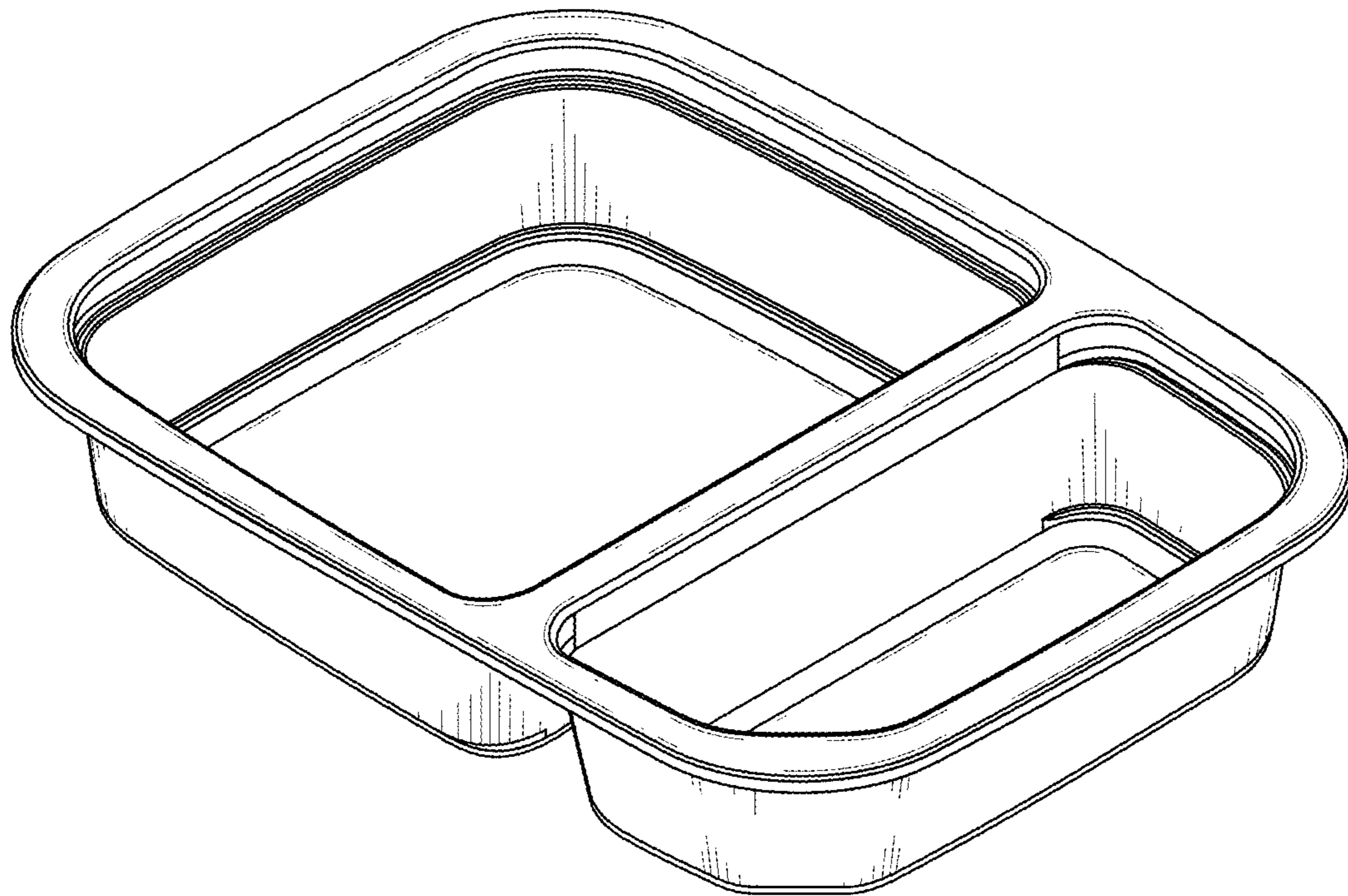


FIG. 1

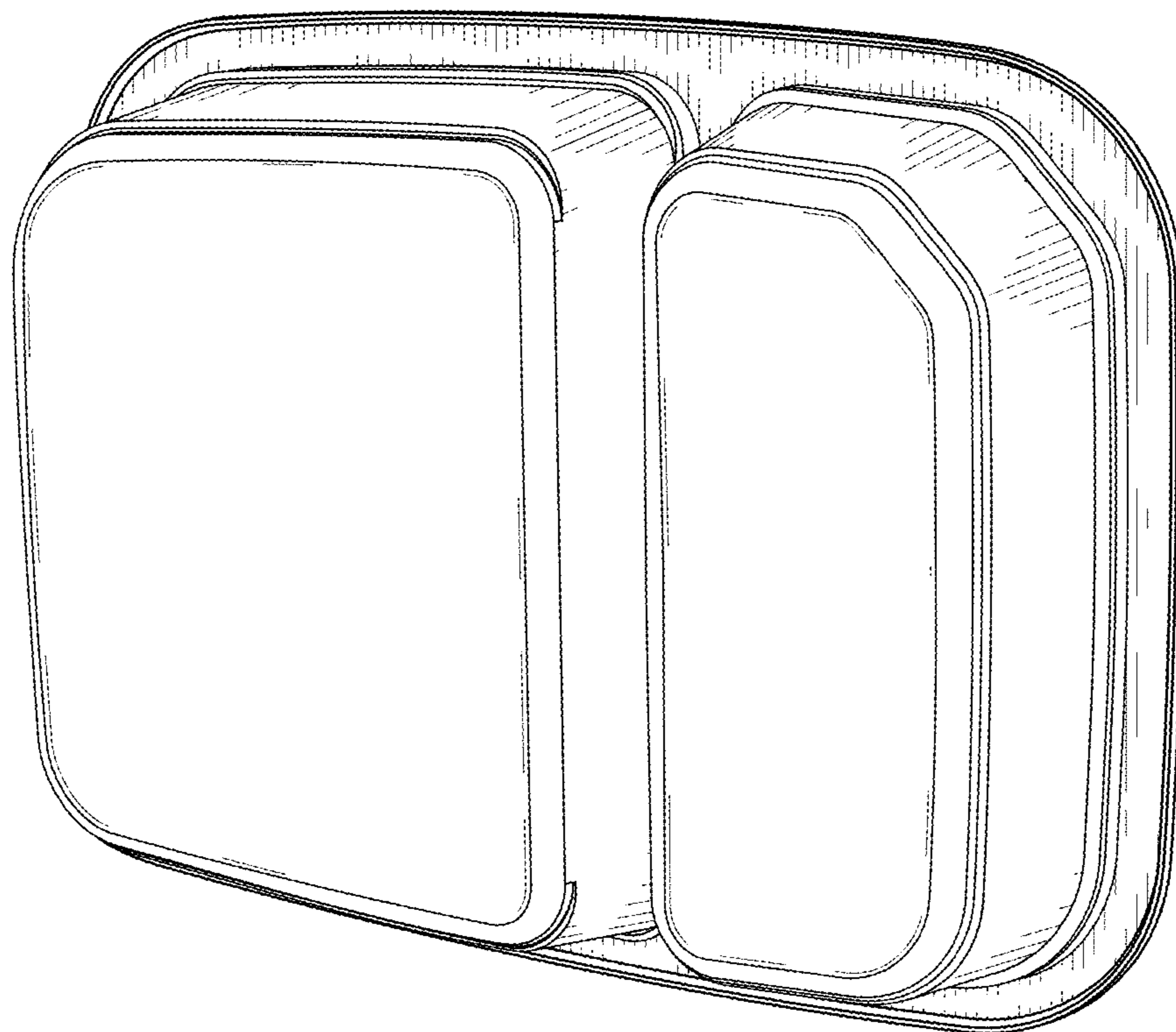


FIG. 2

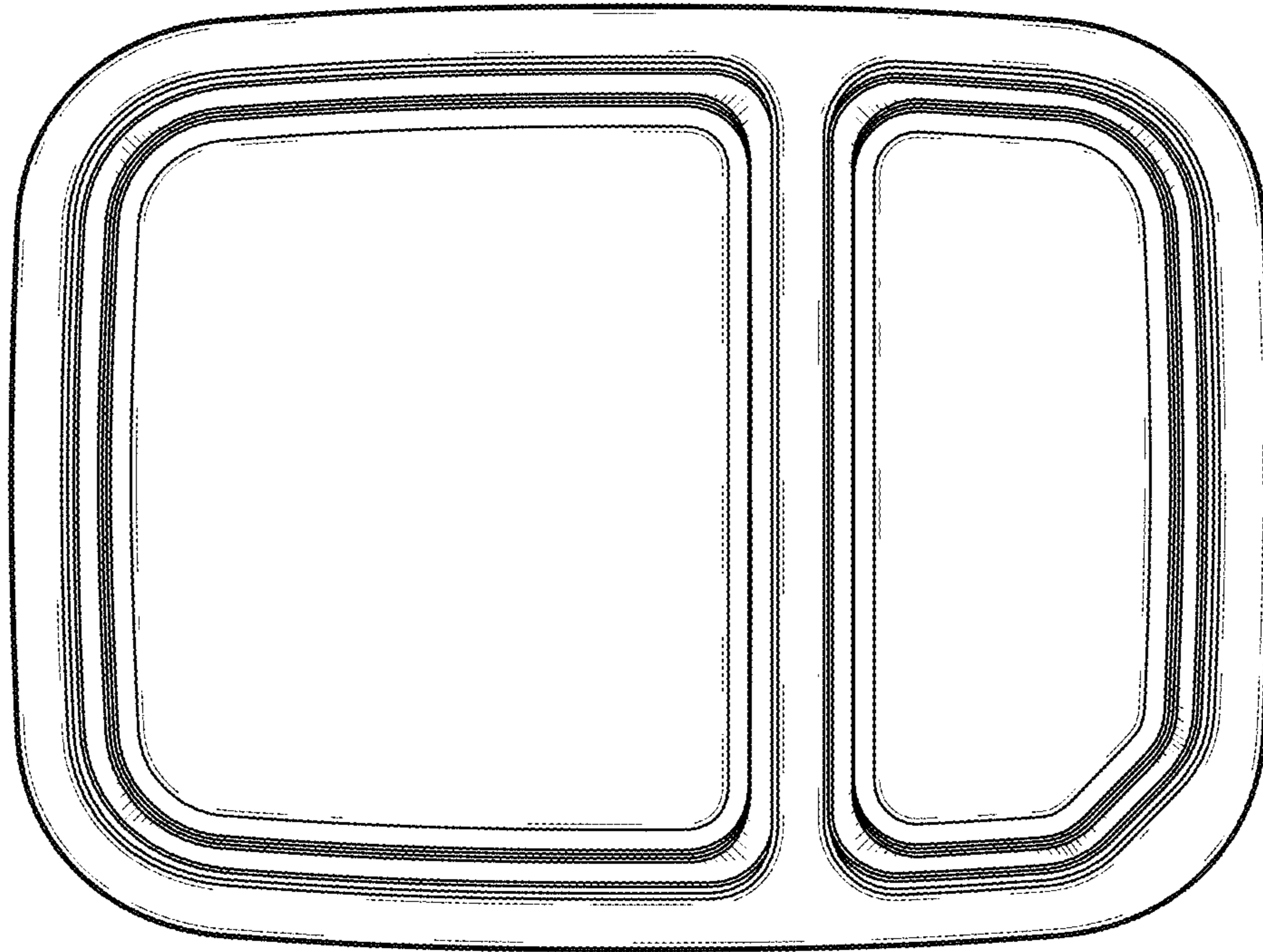


FIG. 3

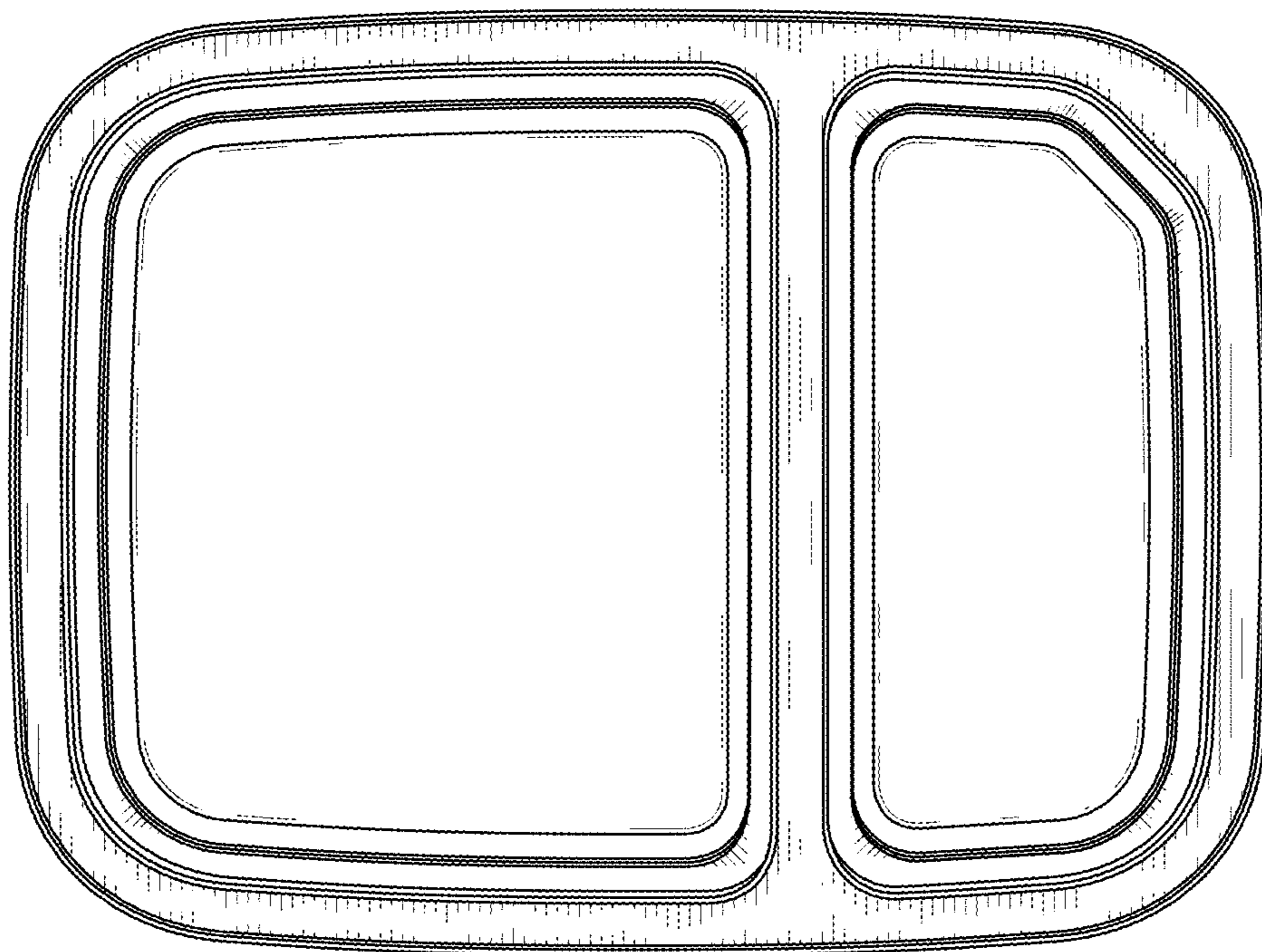


FIG. 4

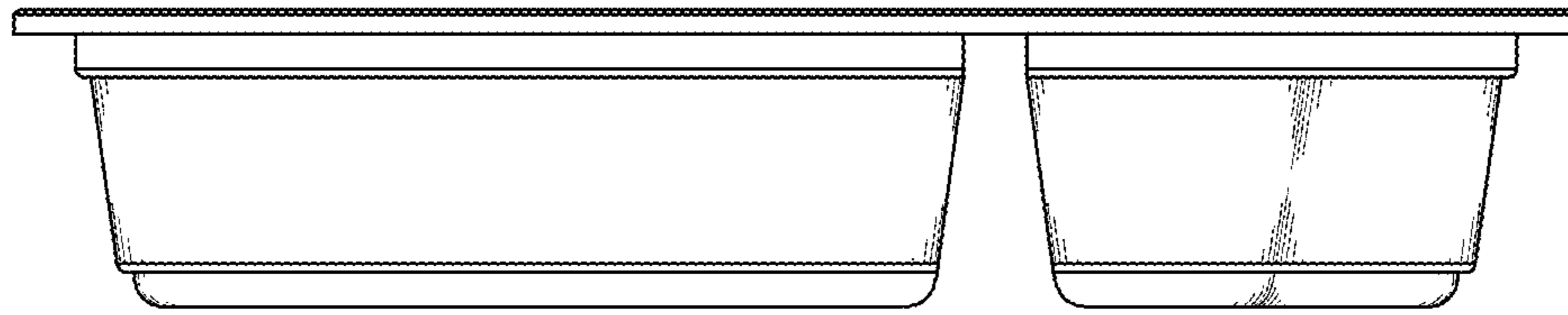


FIG. 5

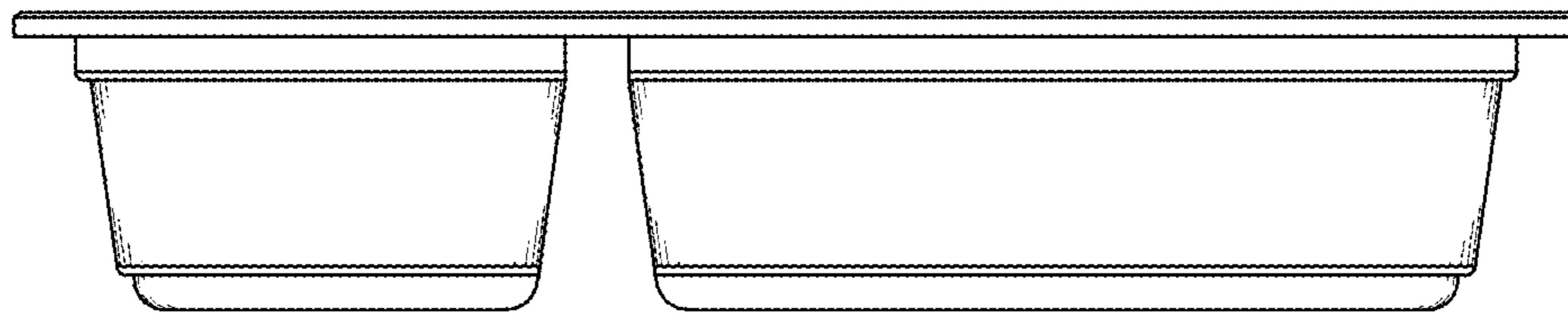


FIG. 6

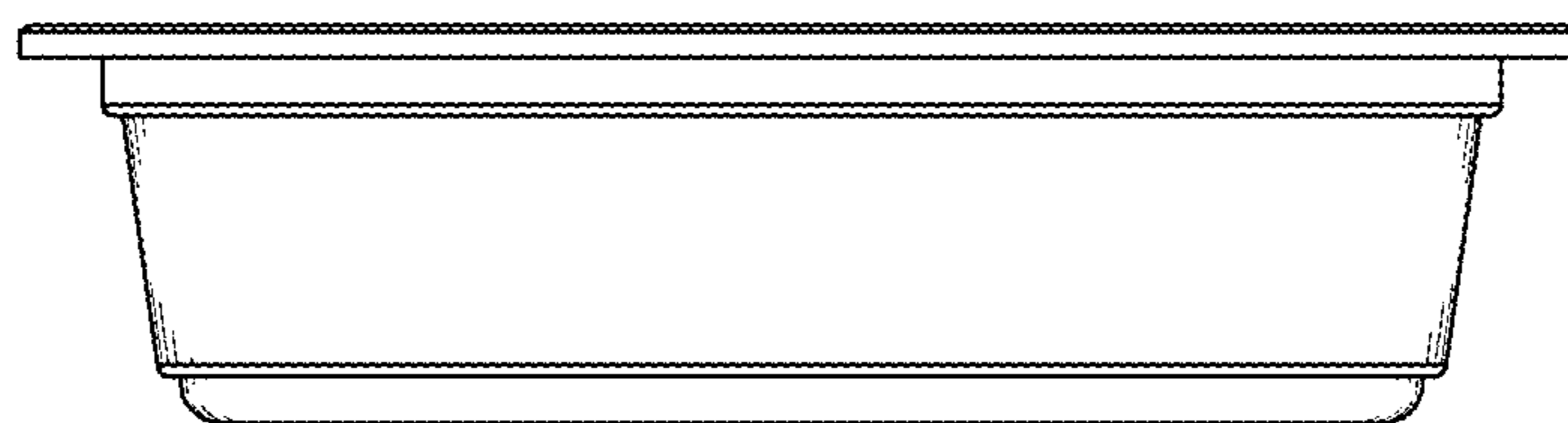


FIG. 7

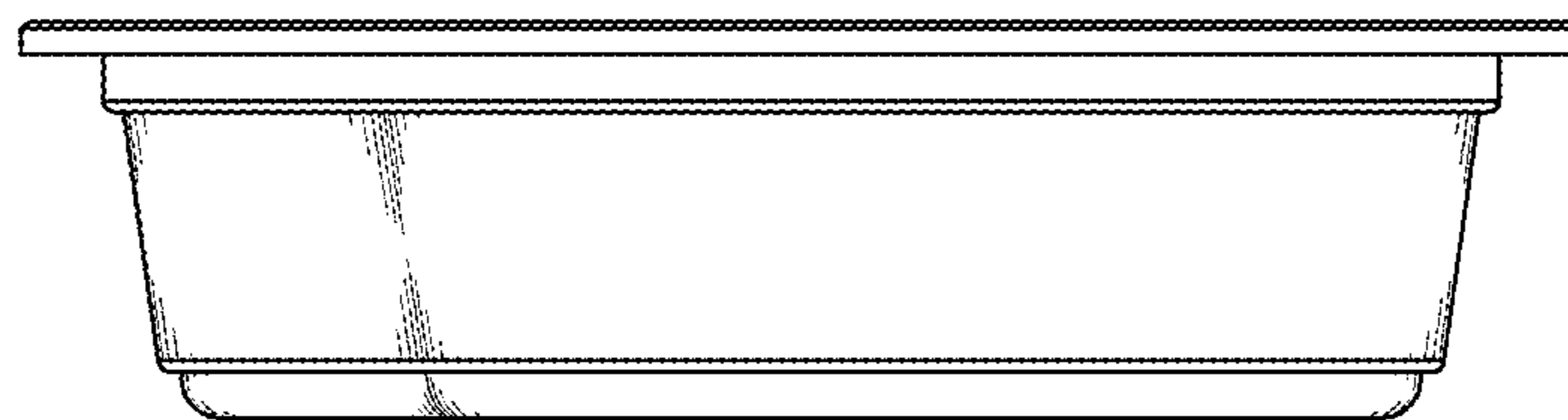


FIG. 8