



US00D792210S

(12) **United States Design Patent**  
**Foster et al.**

(10) **Patent No.:** **US D792,210 S**  
(45) **Date of Patent:** **\*\* Jul. 18, 2017**

(54) **TRAY**  
(71) Applicant: **Printpack Illinois, Inc.**, Elgin, IL (US)  
(72) Inventors: **David T. Foster**, Williamsburg, VA (US); **Patrick L. O'Brien**, Toano, VA (US)  
(73) Assignee: **Printpack Illinois, Inc.**, Elgin, IL (US)

(\*\*) Term: **15 Years**  
(21) Appl. No.: **29/560,274**

(22) Filed: **Apr. 5, 2016**  
(51) **LOC (10) Cl.** ..... **09-03**  
(52) **U.S. Cl.**  
USPC ..... **D9/425**

(58) **Field of Classification Search**  
USPC ..... D7/396.1, 538-545, 602, 608, 629;  
D9/414, 420, 424-429, 432, 761;  
206/499, 508, 557; 220/23.4, 23.6, 315,  
220/500, 659, 669, 674, 675, 696, 752,  
220/760, 790, 793; 229/105, 117.09,  
229/117.26, 189, 406, 407, 902, 905  
CPC ... B65D 1/26; B65D 1/34; B65D 1/36; B65D  
1/40; B65D 1/0223; B65D 25/04; B65D  
43/0212; B65D 79/005; B65D 81/34;  
B65D 81/3453; B65D 2543/00027; B65D  
2543/00648; B65D 2581/34; B65D  
2581/3404; B65D 2581/3456  
See application file for complete search history.

(56) **References Cited**  
U.S. PATENT DOCUMENTS

D415,935 S \* 11/1999 Martinez ..... D7/602  
D551,908 S \* 10/2007 Friedland ..... D7/500  
D553,444 S \* 10/2007 de Groote ..... D7/602  
D630,898 S \* 1/2011 de Groote ..... D7/602  
D695,106 S \* 12/2013 Yang ..... D9/425

D717,119 S \* 11/2014 Carlson ..... D7/602  
2009/0120937 A1 \* 5/2009 Vovan ..... B65D 43/0206  
220/266  
2012/0279895 A1 \* 11/2012 Middleton ..... B29C 45/14336  
206/557  
2013/0019808 A1 \* 1/2013 Lathim ..... A01K 5/0135  
119/51.01

**OTHER PUBLICATIONS**

“Kraft Homestyle Macaroni & Cheese Microwaveable Bowls,”  
dated Oct. 1, 2012, [www.shescribes.com/2012/10/kraft-homestyle-macaroni-cheese-microwaveable-bowls.html](http://www.shescribes.com/2012/10/kraft-homestyle-macaroni-cheese-microwaveable-bowls.html), 4 pages, accessed  
May 3, 2016.  
U.S. Trademark Registration No. 2,052,071, Registered Apr. 14,  
1997.  
U.S. Trademark Registration No. 2,052,069, Registered Apr. 15,  
1997.

\* cited by examiner

*Primary Examiner* — Derrick Holland  
*Assistant Examiner* — Janice Lim  
(74) *Attorney, Agent, or Firm* — Eversheds Sutherland  
(US) LLP

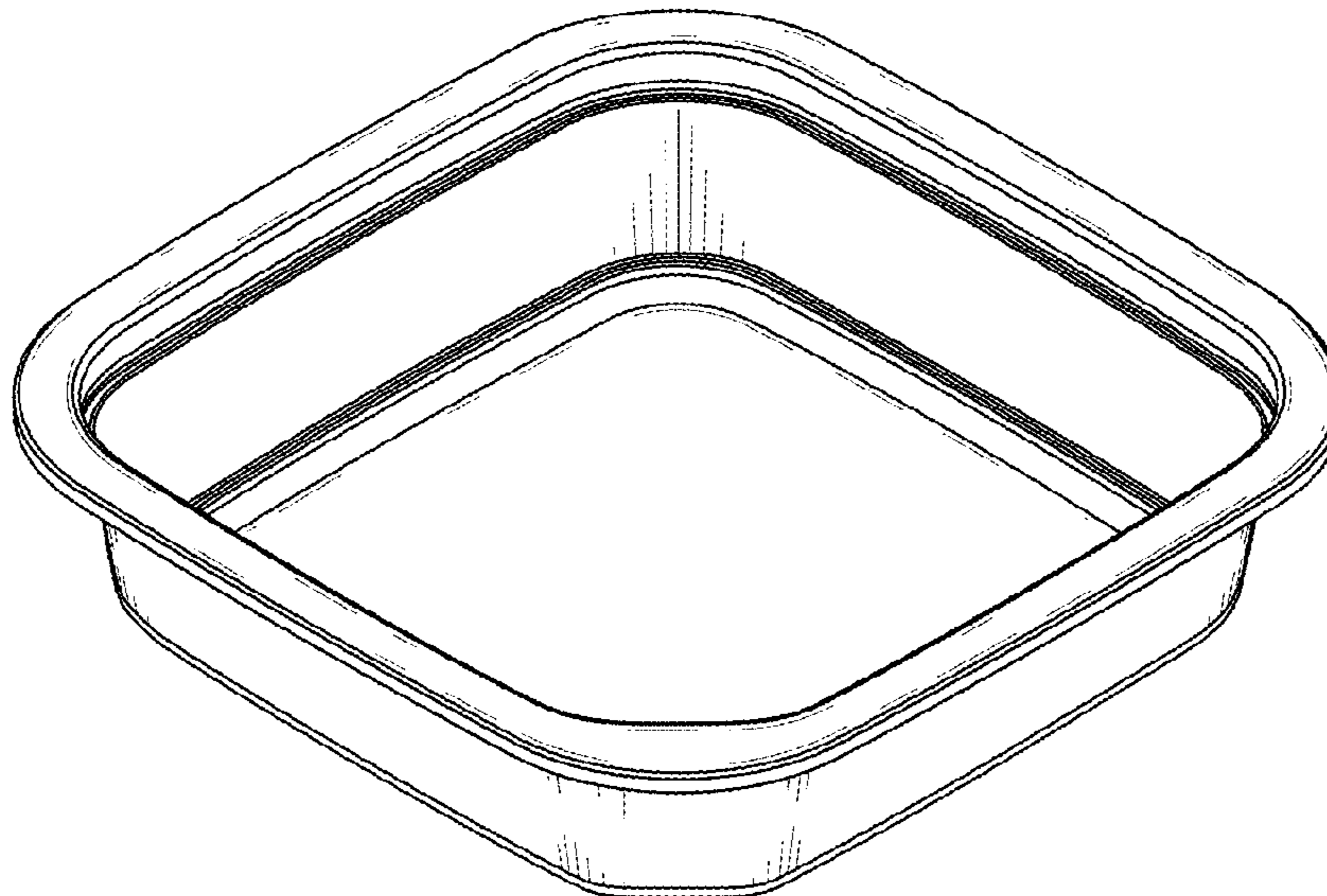
(57) **CLAIM**

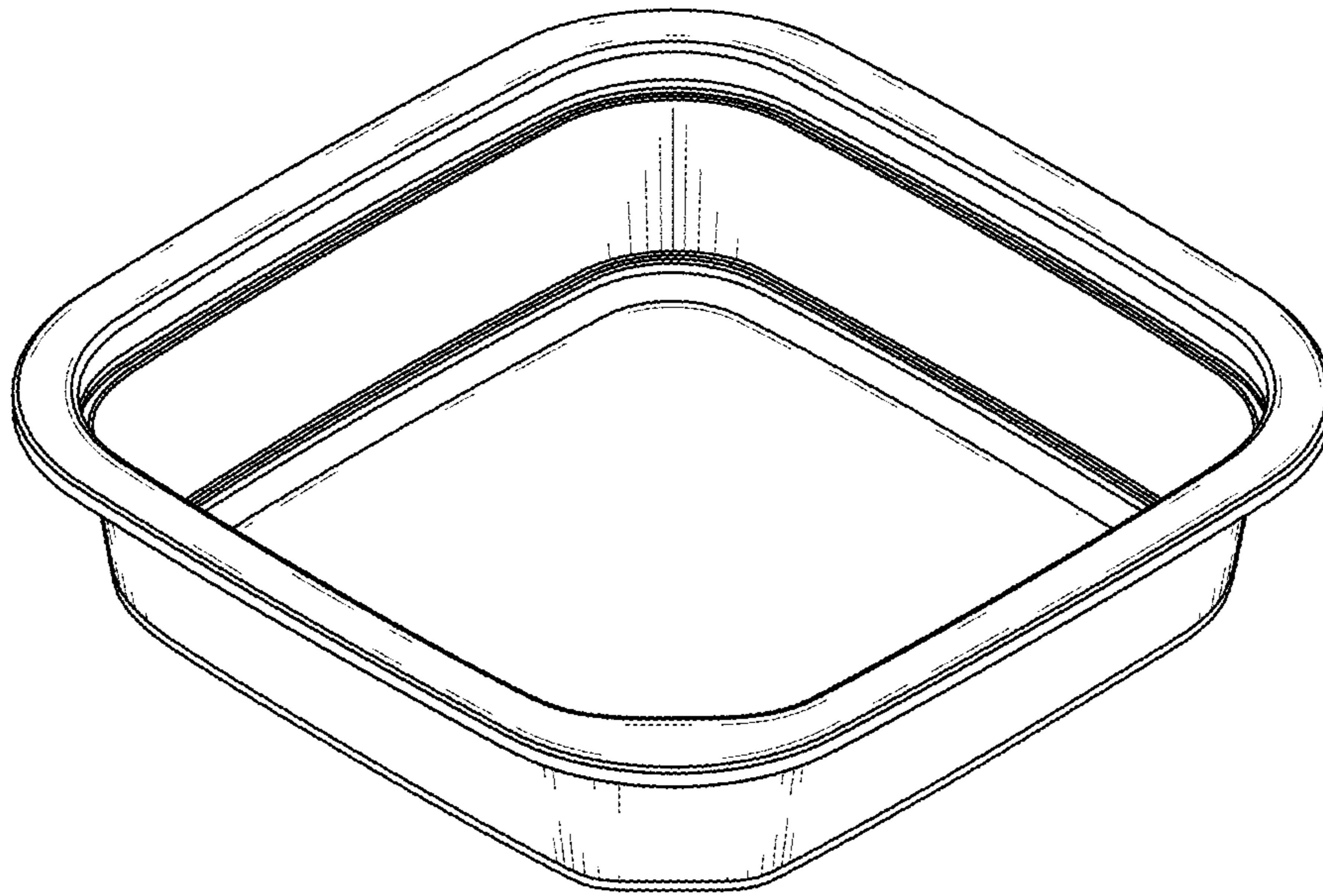
The ornamental design for a tray, as shown and described.

**DESCRIPTION**

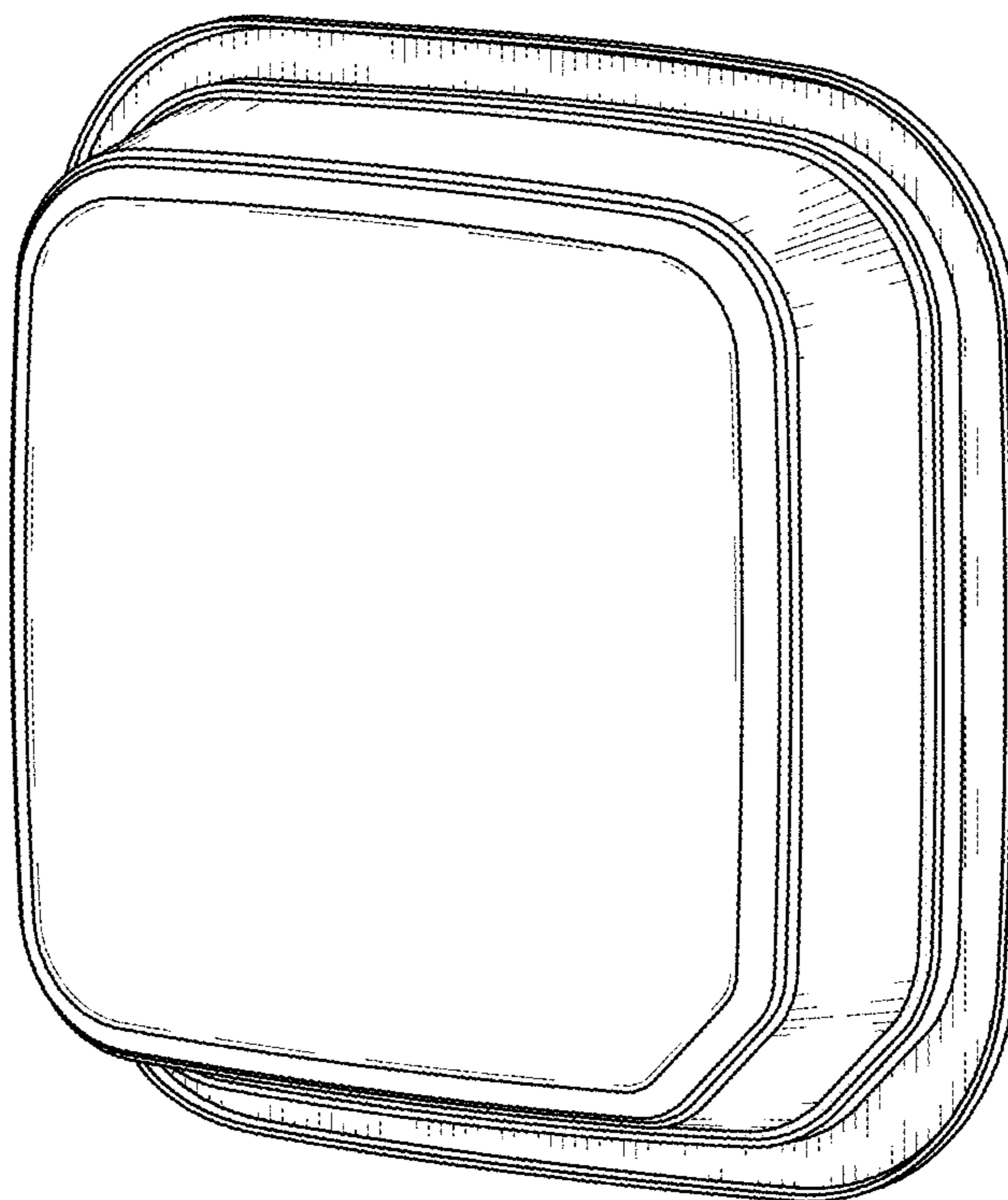
FIG. 1 is a top perspective view of a tray, showing our new  
design;  
FIG. 2 is a bottom perspective view thereof;  
FIG. 3 is a top view thereof;  
FIG. 4 is a bottom view thereof;  
FIG. 5 is a side view thereof;  
FIG. 6 is an opposite side view thereof;  
FIG. 7 is a front view thereof; and,  
FIG. 8 is a rear view thereof.

**1 Claim, 3 Drawing Sheets**

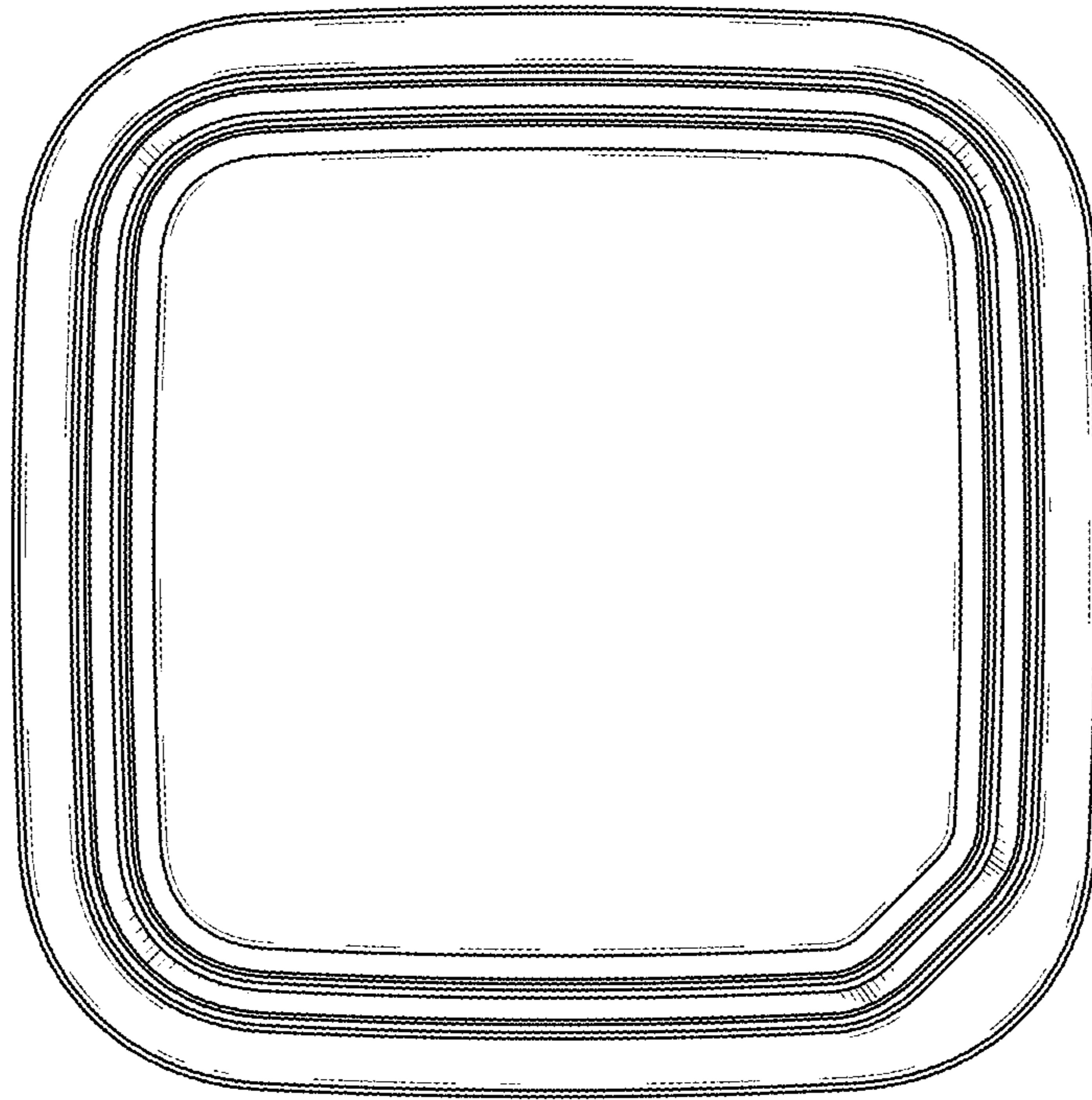




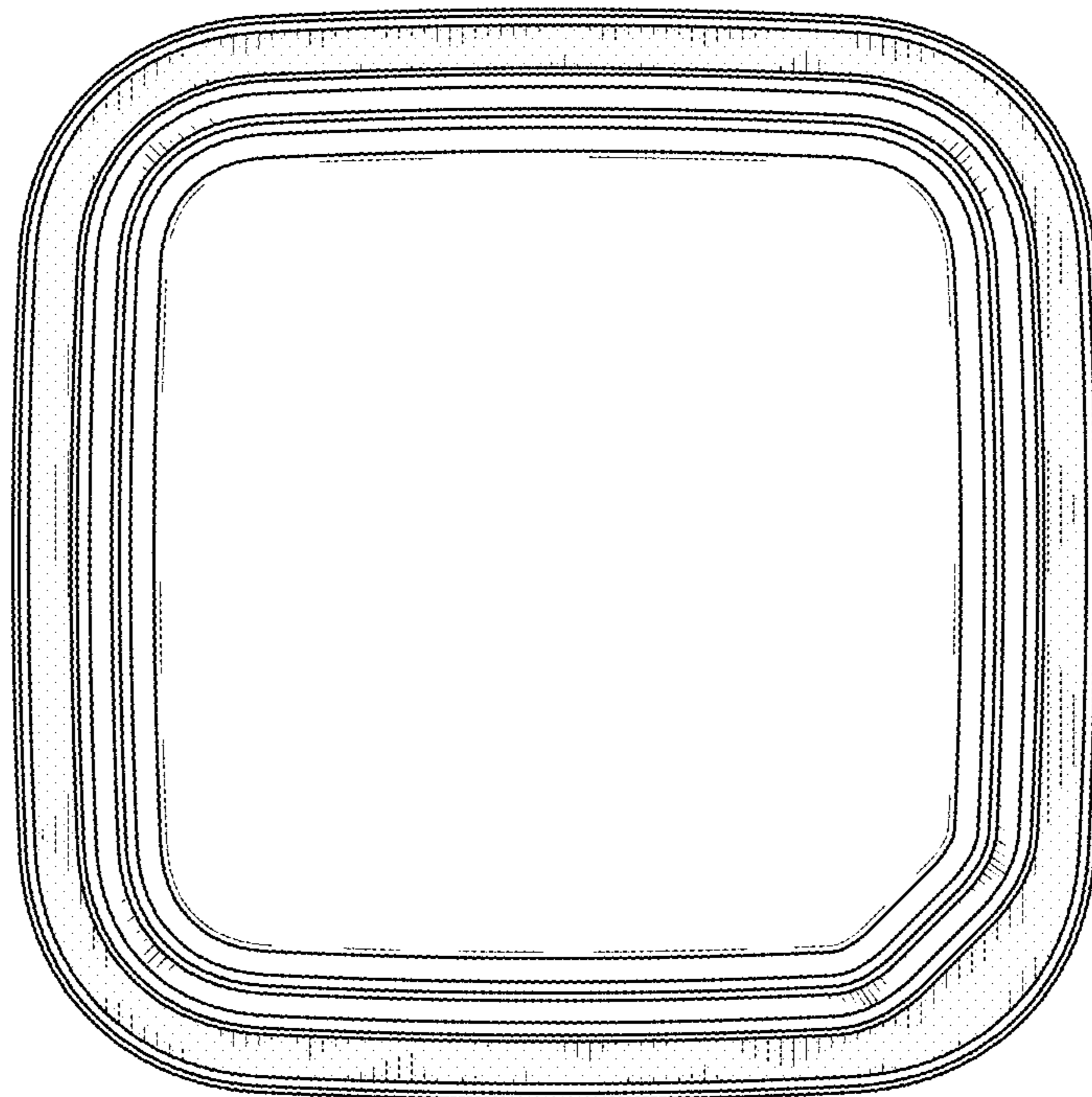
**FIG. 1**



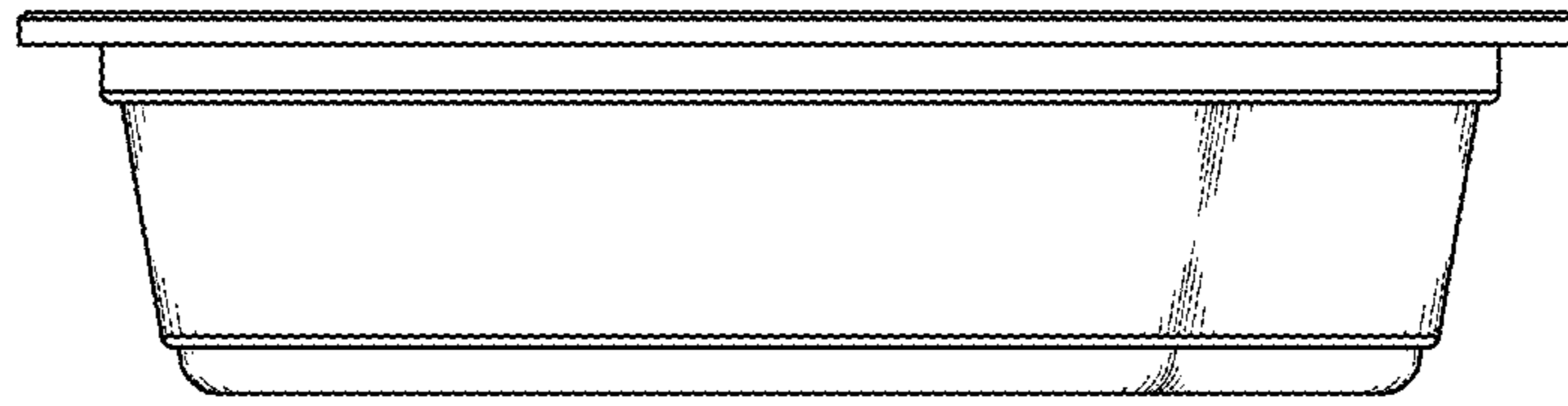
**FIG. 2**



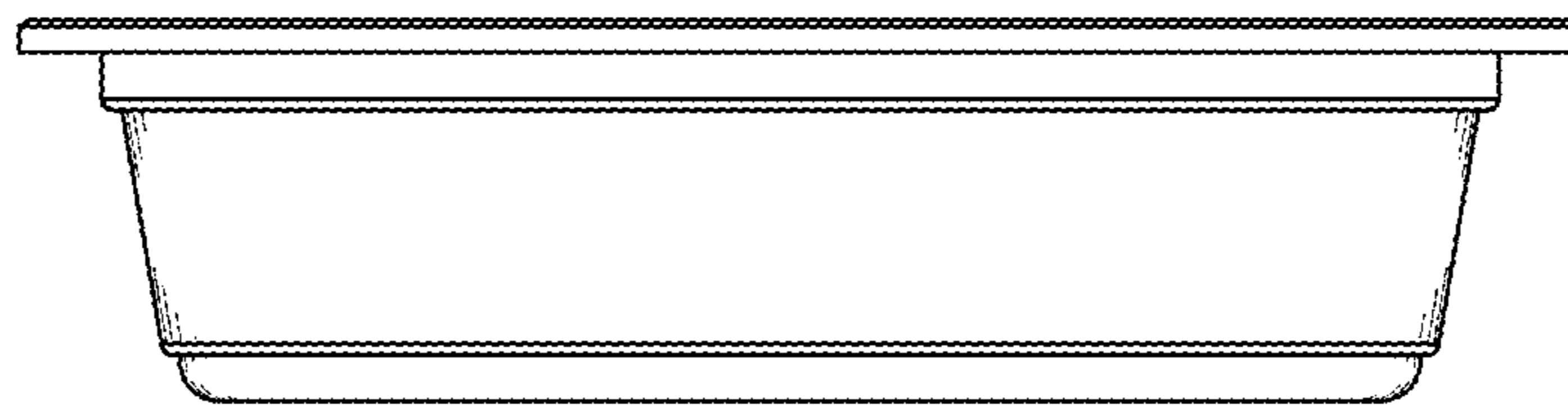
**FIG. 3**



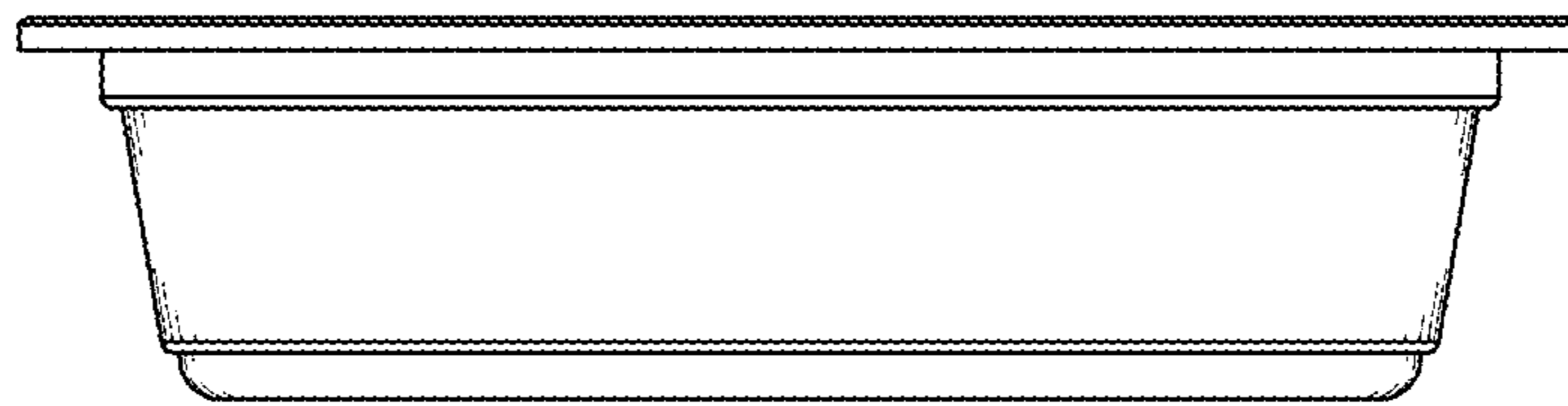
**FIG. 4**



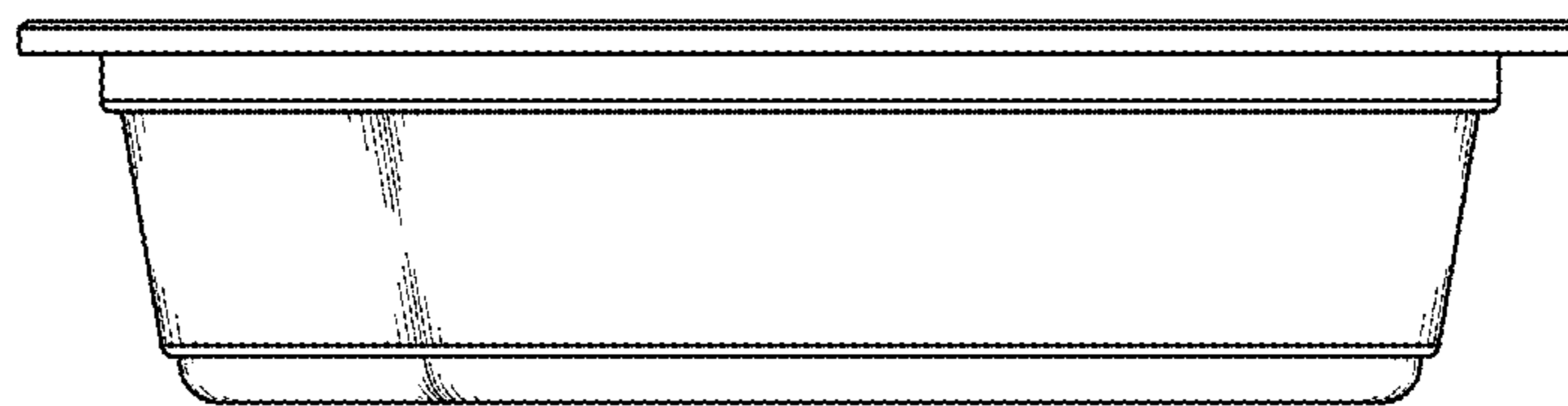
**FIG. 5**



**FIG. 6**



**FIG. 7**



**FIG. 8**