



US00D792209S

(12) **United States Design Patent** (10) **Patent No.:** **US D792,209 S**
Nomura et al. (45) **Date of Patent:** **** Jul. 18, 2017**

(54) **CONTAINER**

(71) Applicant: **NISSHIN SEIFUN GROUP INC.**,
Tokyo (JP)

(72) Inventors: **Mitsuo Nomura**, Fujimino (JP);
Tomoya Watanabe, Fujimino (JP)

(73) Assignee: **Nisshin Seifun Group Inc.**, Tokyo (JP)

(**) Term: **15 Years**

(21) Appl. No.: **29/542,990**

(22) Filed: **Oct. 20, 2015**

(30) **Foreign Application Priority Data**

Apr. 20, 2015 (JP) 2015008838

(51) **LOC (10) Cl.** **09-03**

(52) **U.S. Cl.**
USPC **D9/425**

(58) **Field of Classification Search**

USPC D7/396.1, 538-545, 602, 608, 629;
D9/414, 420, 424-429, 432, 761;
206/499, 508, 557; 220/23.4, 23.6, 315,
220/500, 659, 669, 674, 675, 696, 752,
220/760, 790, 793; 229/105, 117.09,
229/117.26, 189, 406, 407, 902, 905

CPC ... B65D 1/26; B65D 1/34; B65D 1/36; B65D
1/40; B65D 1/0223; B65D 25/04; B65D
43/0212; B65D 79/005; B65D 81/34;
B65D 81/3453; B65D 2543/00027; B65D
2543/00648; B65D 2581/34; B65D
2581/3404; B65D 2581/3456

See application file for complete search history.

(56) **References Cited**

U.S. PATENT DOCUMENTS

D319,978 S *	9/1991	Wolff	D7/586
D420,859 S *	2/2000	Loew	D7/602
D608,154 S *	1/2010	Furlong	D7/602
D638,700 S *	5/2011	Bouveret	D9/425
D643,710 S *	8/2011	Samartgis	D9/424
D664,842 S *	8/2012	Meyer	D9/425
D678,051 S *	3/2013	Krueger	D9/432
D682,116 S *	5/2013	Sina	D9/425
D699,568 S *	2/2014	Epstein	D9/425
D706,621 S *	6/2014	Tuchrelo	D9/425
2013/0015096 A1 *	1/2013	BeVier	B65D 1/42 206/557

* cited by examiner

Primary Examiner — Derrick Holland

(74) *Attorney, Agent, or Firm* — Muncy, Geissler, Olds & Lowe, P.C.

(57) **CLAIM**

The ornamental design for a container, as shown and described.

DESCRIPTION

FIG. 1 is a front elevational view of a container showing our new design, the rear elevational view being a mirror image thereof;

FIG. 2 is a left side view thereof, the right side view being a mirror image thereof.

FIG. 3 is a top plan view thereof;

FIG. 4 is a bottom plan view thereof;

FIG. 5 is a cross-sectional view thereof, taken along the line 5-5 of FIG. 3;

FIG. 6 is a cross-sectional view thereof, taken along the line 6-6 of FIG. 3; and,

FIG. 7 is a perspective view thereof.

1 Claim, 5 Drawing Sheets

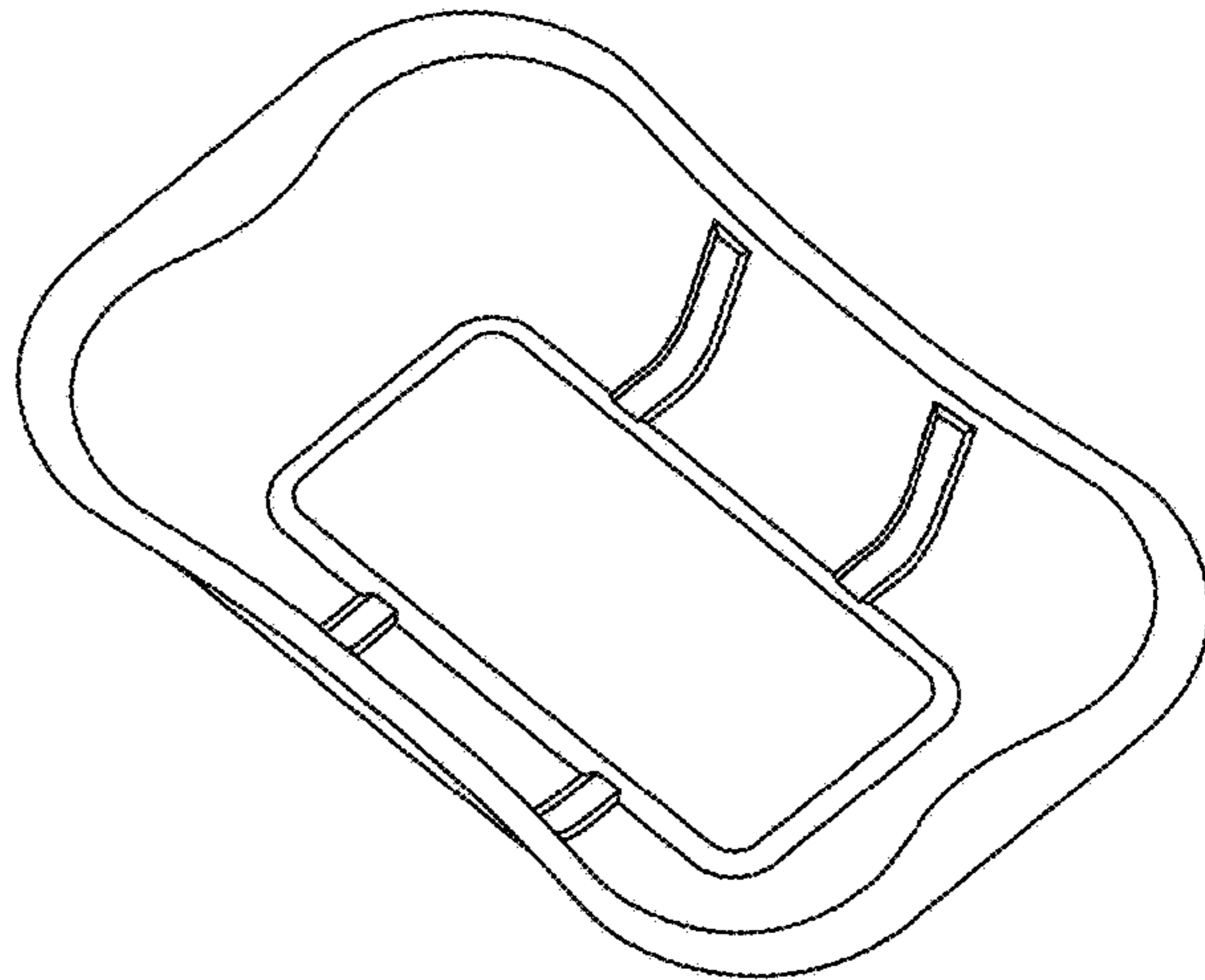




FIG. 1



FIG. 2

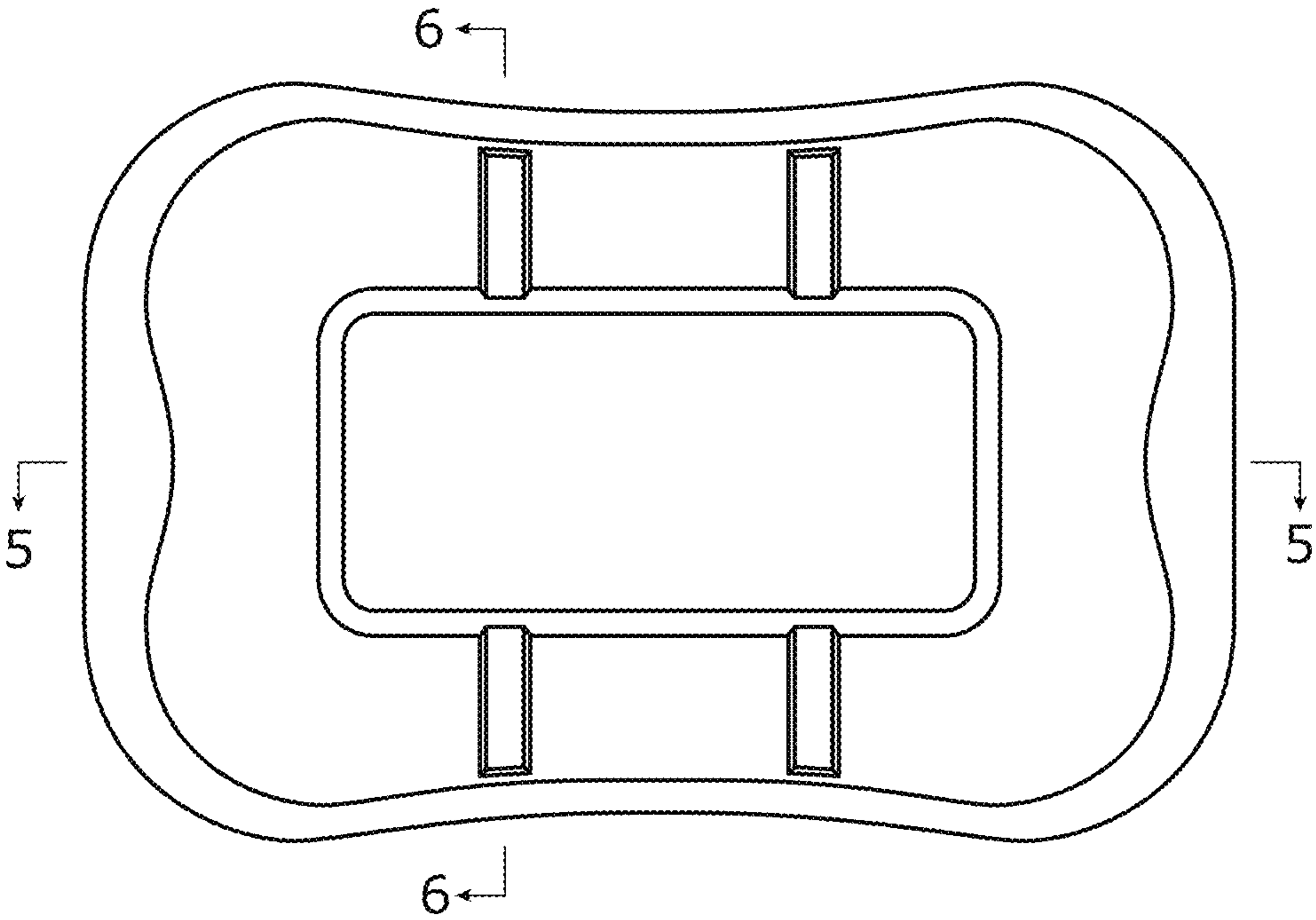


FIG. 3

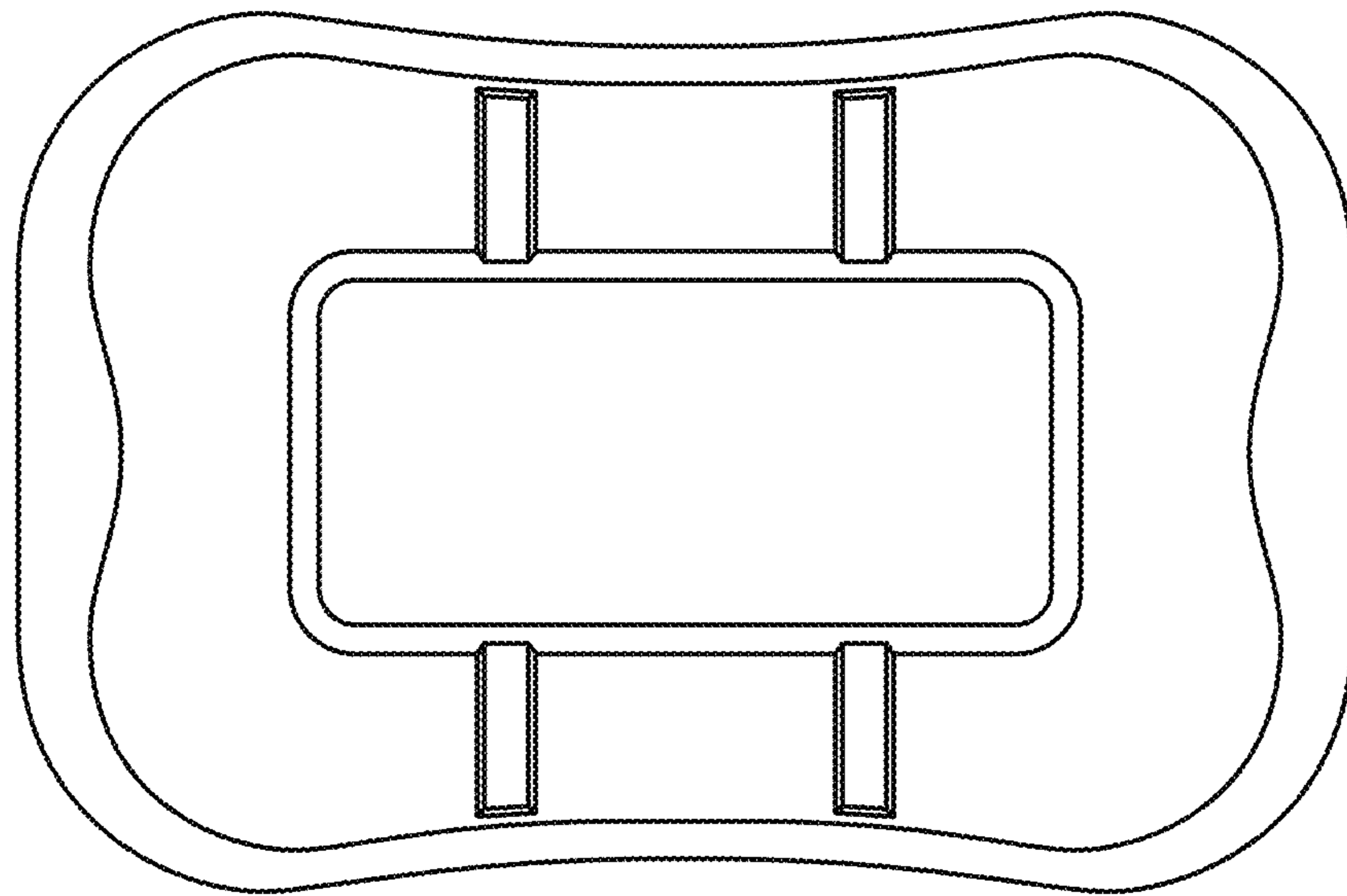


FIG. 4



FIG. 5



FIG. 6

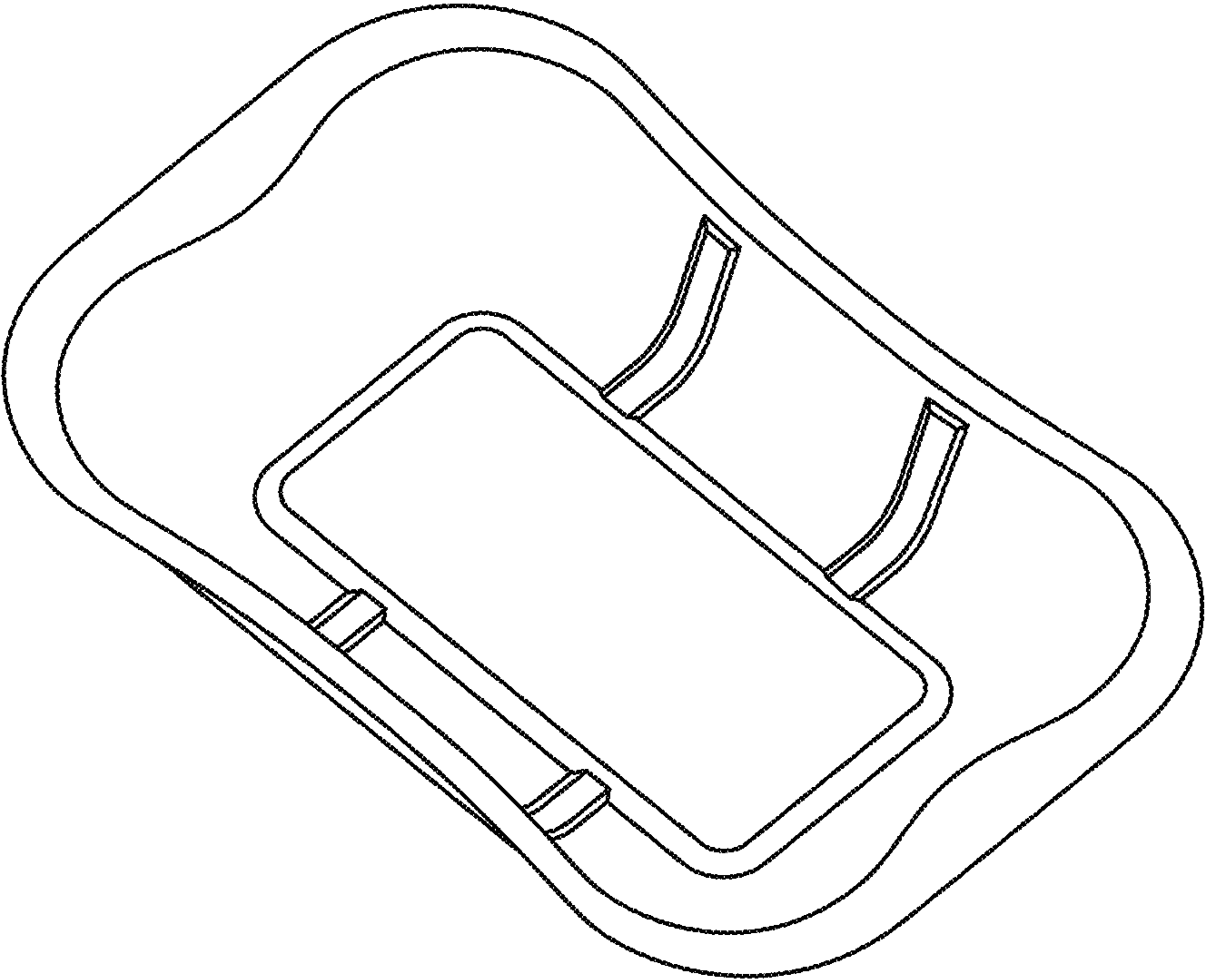


FIG. 7