



US00D792205S

(12) **United States Design Patent**
Baiz et al.

(10) **Patent No.:** **US D792,205 S**
(45) **Date of Patent:** **** Jul. 18, 2017**

(54) **LUG NUT**

(71) Applicants: **Enrique J. Baiz**, Miramar, FL (US);
Oswaldo Izquierdo, Homestead, FL (US)

(72) Inventors: **Enrique J. Baiz**, Miramar, FL (US);
Oswaldo Izquierdo, Homestead, FL (US)

(**) **Term:** **15 Years**

(21) **Appl. No.:** **29/577,164**

(22) **Filed:** **Sep. 9, 2016**

(51) **LOC (10) Cl.** **08-08**

(52) **U.S. Cl.**
USPC **D8/397**

(58) **Field of Classification Search**
USPC D8/397, 394, 382, 349
CPC A61B 17/0401; E04D 13/1476; E04G 25/065; F16B 41/002; F16B 23/0061
See application file for complete search history.

(56) **References Cited**

U.S. PATENT DOCUMENTS

1,115,307	A *	10/1914	Guffee	F16B 41/002
					29/235
2,630,805	A *	3/1953	Brehm	A61M 3/0279
					604/104
2,670,737	A *	3/1954	Cantor	A61F 11/08
					128/864
3,222,976	A *	12/1965	Holman	F16B 23/0061
					301/35.623
D225,970	S *	1/1973	O'Donnell	D8/387
4,314,553	A *	2/1982	Westerdal	A61F 11/08
					128/201.18
4,333,660	A *	6/1982	Cupit	E04D 13/1476
					277/630
D268,565	S *	4/1983	Mortus	D8/397
D273,614	S *	4/1984	Rolla	D24/106

D335,852	S *	5/1993	Carles	D12/160
D381,897	S *	8/1997	Matthiesen	D22/116
D408,526	S *	4/1999	Westerdal	D24/106
D427,511	S *	7/2000	Weld	D8/397
6,155,987	A *	12/2000	Scherl	A61F 11/006
					128/898
6,361,258	B1 *	3/2002	Heesch	F16B 23/0084
					411/178
6,387,129	B2 *	5/2002	Rieser	A61B 17/8615
					606/318
D460,398	S *	7/2002	Berry	D12/213
6,540,750	B2 *	4/2003	Burkhart	A61B 17/0401
					606/232
6,692,083	B2 *	2/2004	Latham	E21C 35/18
					299/104
D549,568	S *	8/2007	Schaeffer	D8/397

(Continued)

Primary Examiner — Cynthia Underwood

(74) *Attorney, Agent, or Firm* — Quickpatents, LLC;
Kevin Prince

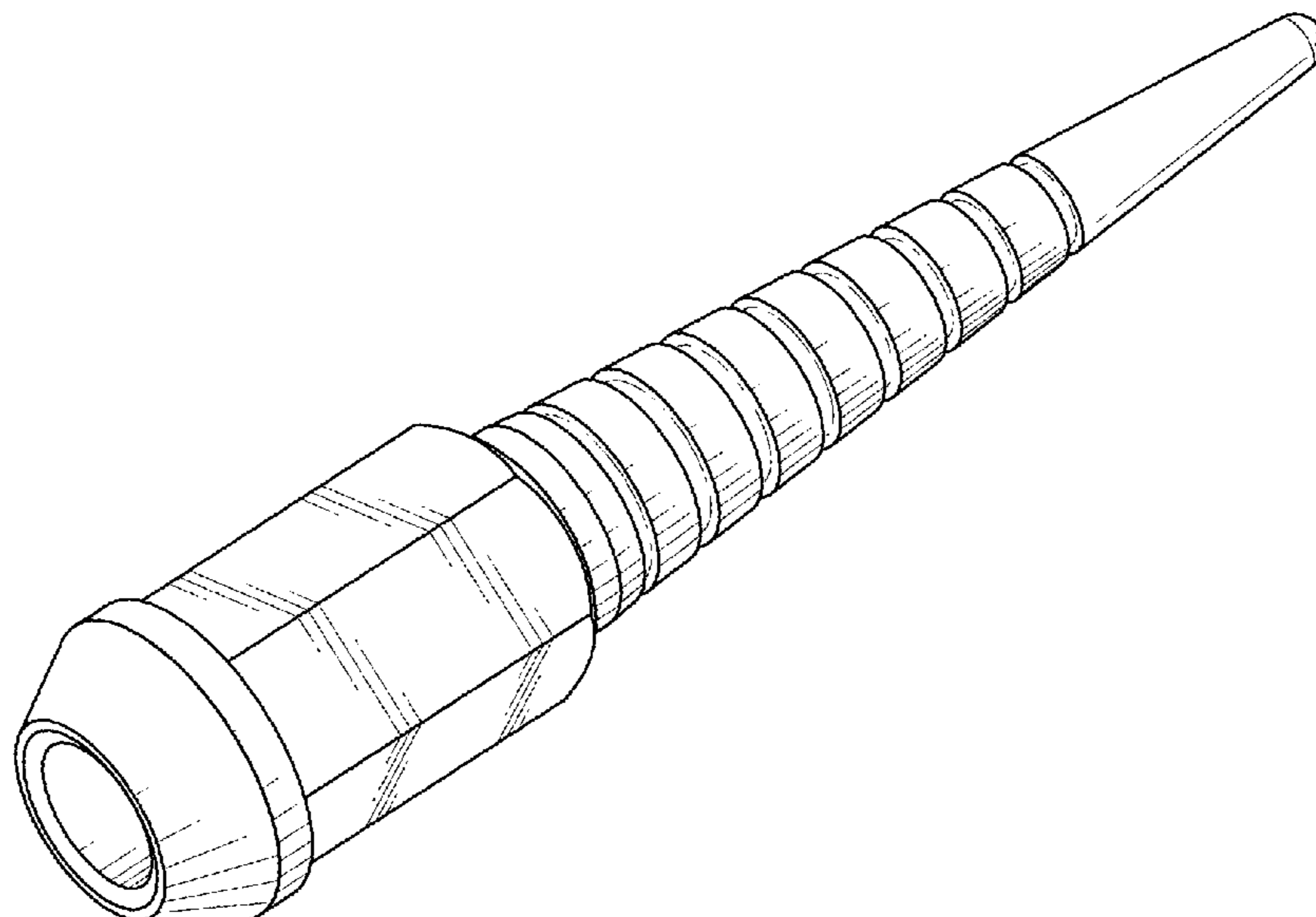
(57) **CLAIM**

We claim the ornamental design for a lug nut, as shown and described.

DESCRIPTION

FIG. 1 is a bottom perspective view of a lug nut, showing our new design;
FIG. 2 is a front elevational view thereof, the rear elevational view, right-side elevational view, and left-side elevational view all being identical thereto;
FIG. 3 is a front elevational view thereof, the rear elevational view being a mirror image thereof;
FIG. 4 is a left-side elevational view thereof, the right-side elevational view being a mirror image thereof;
FIG. 5 is a top plan view thereof;
FIG. 6 is a bottom plan view thereof; and,
FIG. 7 is a cross-sectional view thereof, taken along lines 7--7 of FIG. 5.

1 Claim, 3 Drawing Sheets



(56)

References Cited

U.S. PATENT DOCUMENTS

7,252,471 B1 * 8/2007 Manyoky F16B 37/00
 411/427
 7,392,674 B1 * 7/2008 Grote F16B 37/14
 411/910
 D581,777 S * 12/2008 Huang D8/397
 D592,748 S * 5/2009 Boulton A61F 11/006
 D24/108
 7,814,709 B1 * 10/2010 Resech E04D 13/1407
 52/100
 D647,393 S * 10/2011 Carrillo, Sr. D8/387
 D720,208 S * 12/2014 Jordan D8/397
 D731,300 S * 6/2015 Vargas D8/397
 D738,265 S * 9/2015 McNeeley D12/118
 9,206,832 B1 * 12/2015 Maddux F16B 37/14
 D765,855 S * 9/2016 Ben-Yehuda D24/156
 D780,563 S * 3/2017 Baiz D8/387
 D780,564 S * 3/2017 Baiz D8/387
 D785,538 S * 5/2017 Jordan D12/213
 D786,057 S * 5/2017 Baiz D8/397
 D787,306 S * 5/2017 Baiz D8/397
 2014/0074163 A1 * 3/2014 West, Jr. A61B 17/0401
 606/232
 2014/0222072 A1 * 8/2014 Gerber A61B 17/0401
 606/232
 2014/0249579 A1 * 9/2014 Heaven A61B 17/0401
 606/232
 2017/0051780 A1 * 2/2017 Dickinson B29C 45/006
 2017/0130760 A1 * 5/2017 Thiele F16B 39/24
 2017/0150959 * 6/2017 Berelsman A61B 17/0401
 2017/0151007 * 6/2017 Philipon A61B 17/8888
 2017/0151054 * 6/2017 Stone A61F 2/0811

* cited by examiner

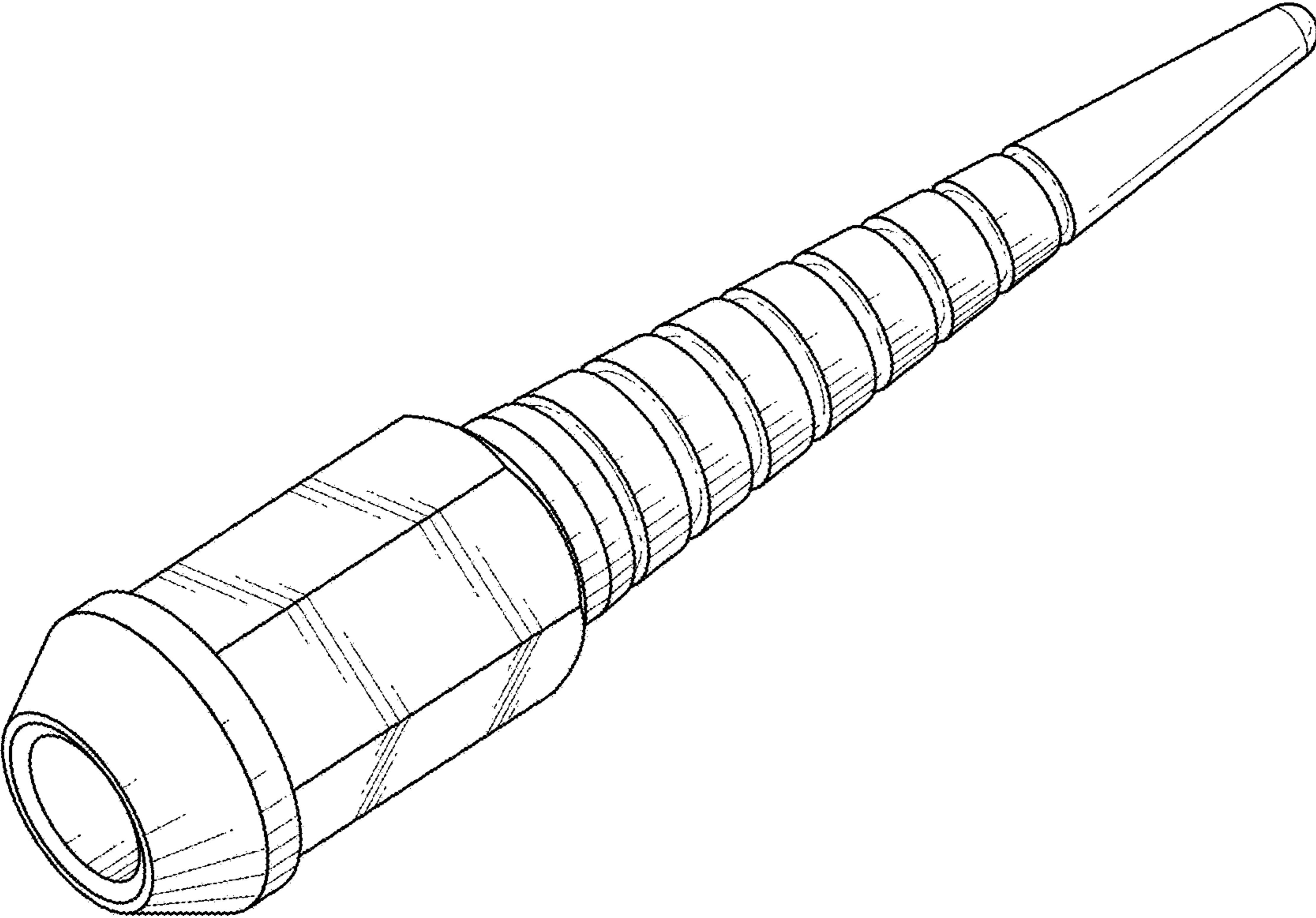


FIG. 1

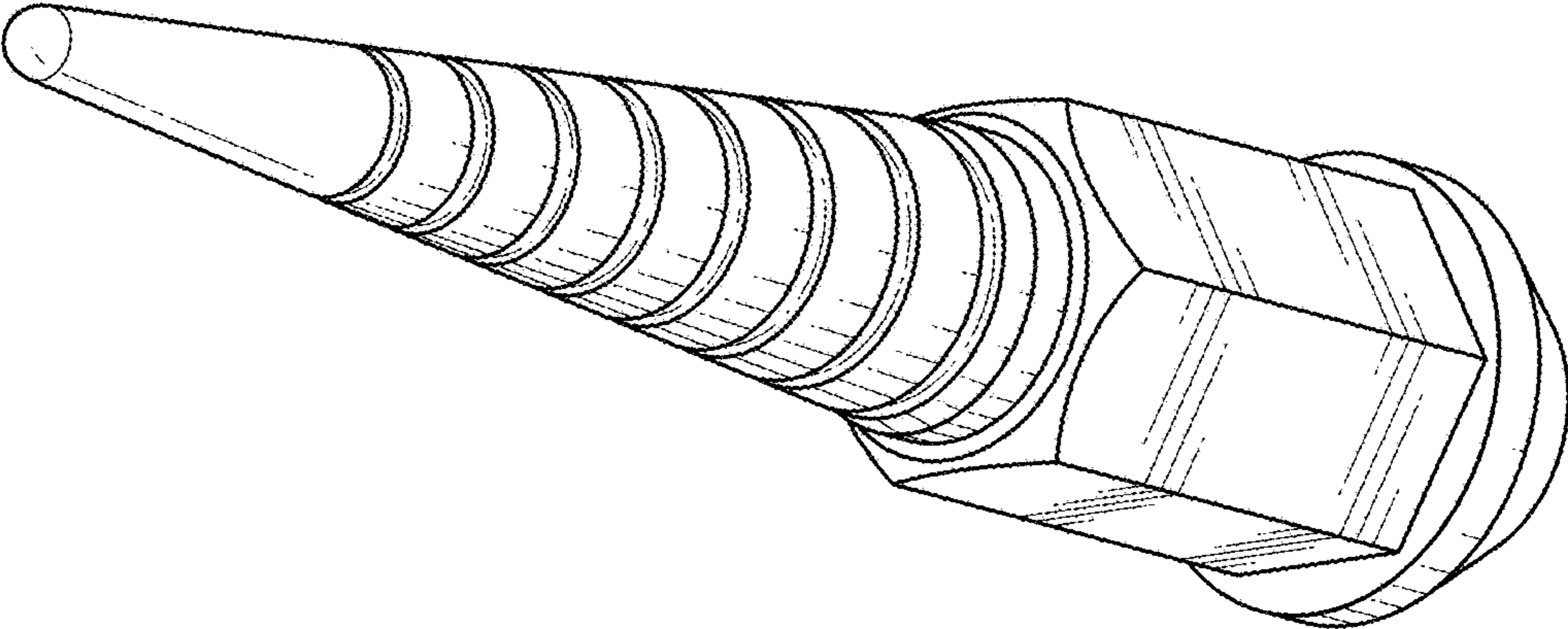


FIG. 2

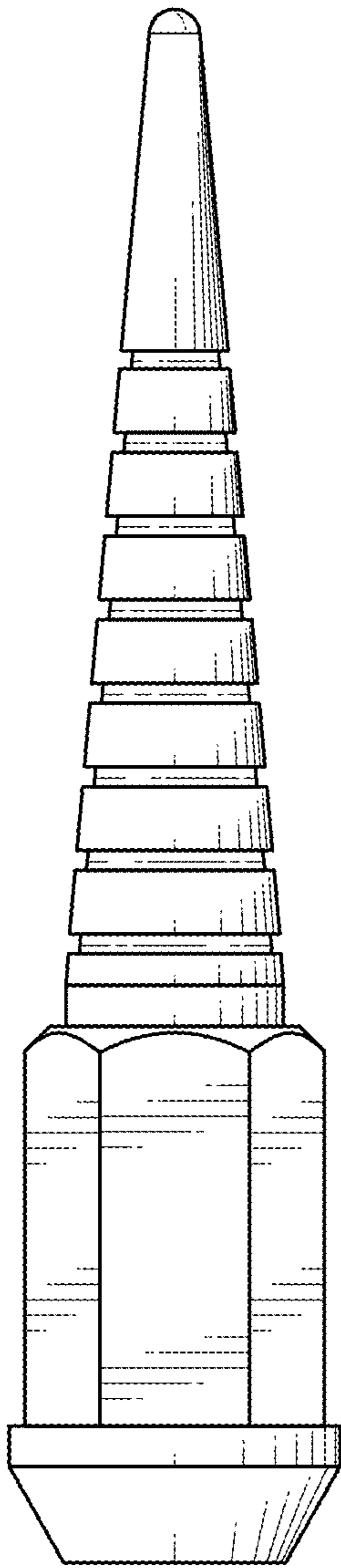


FIG. 3

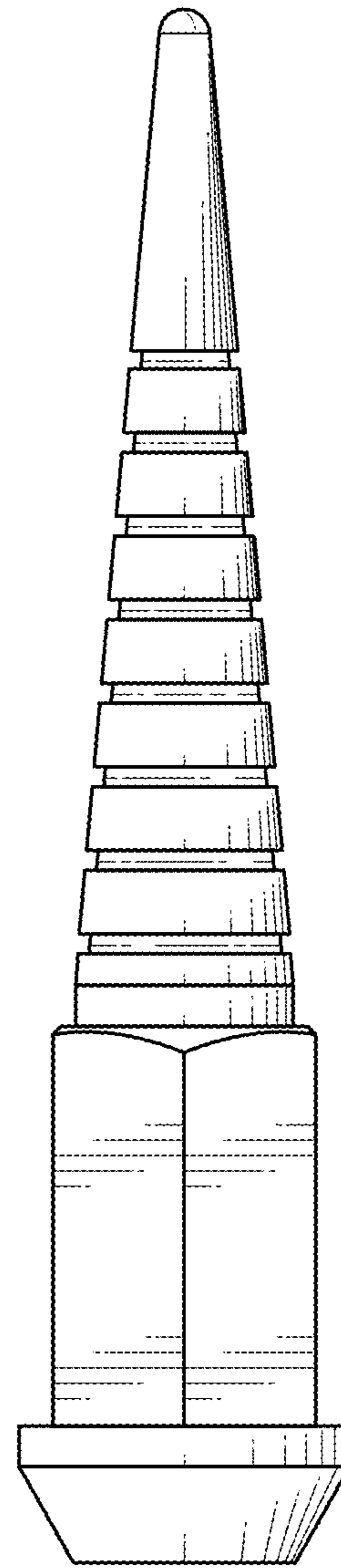


FIG. 4

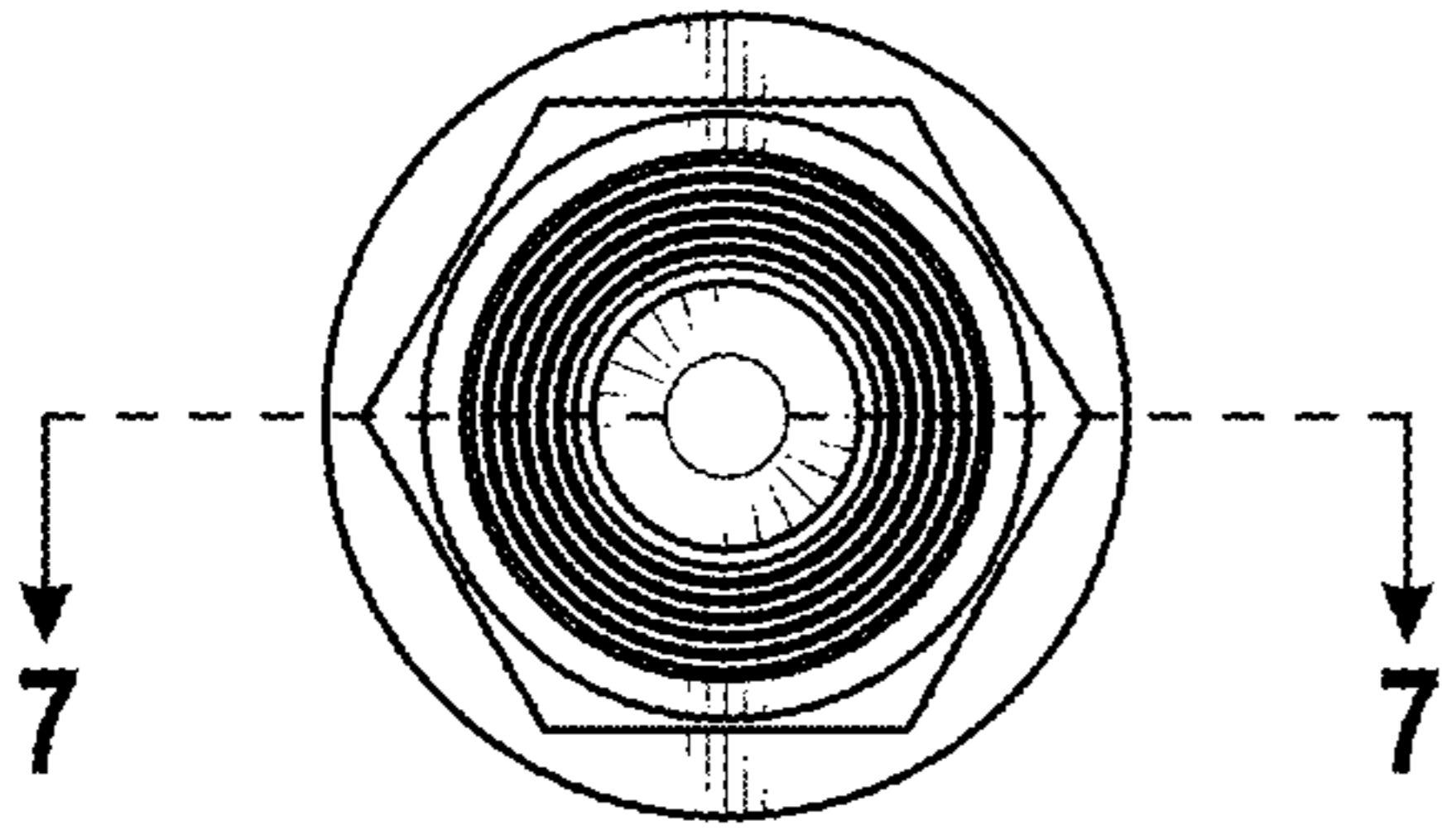


FIG. 5

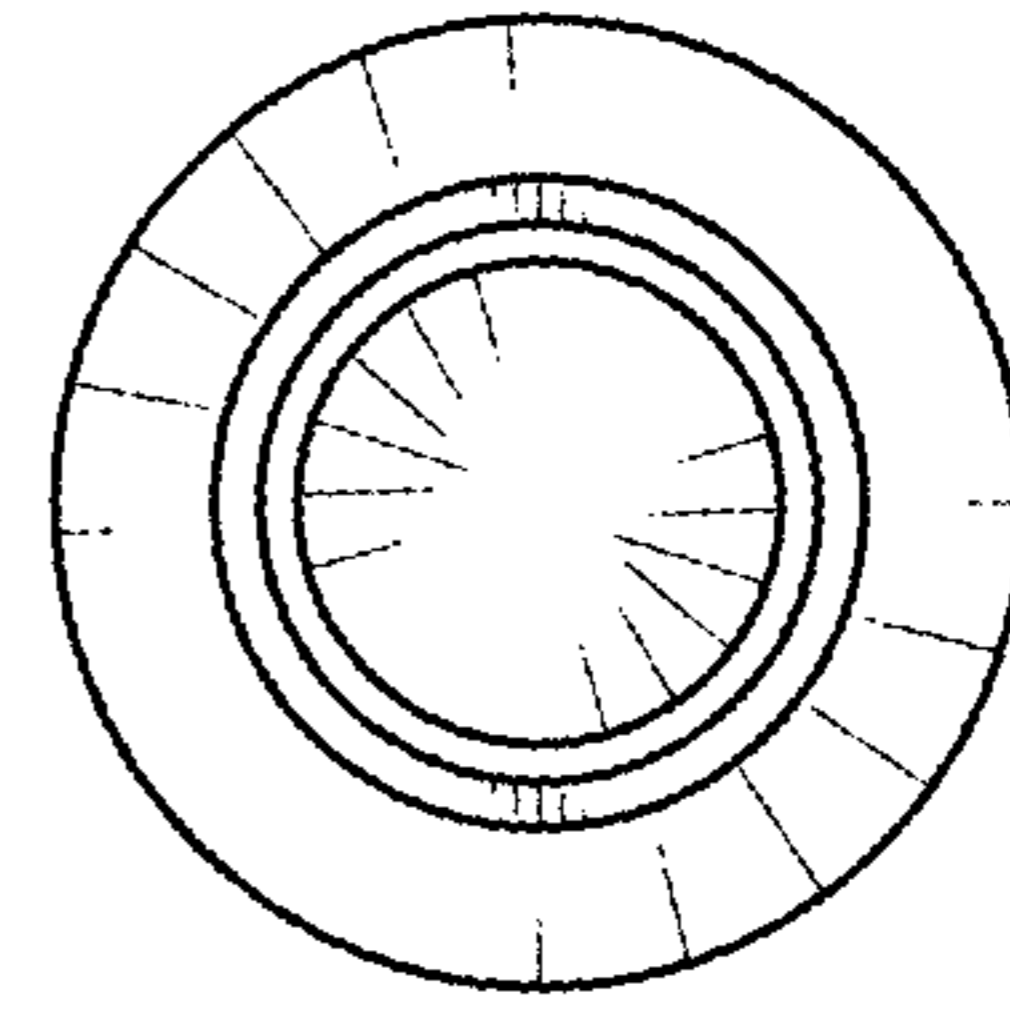


FIG. 6

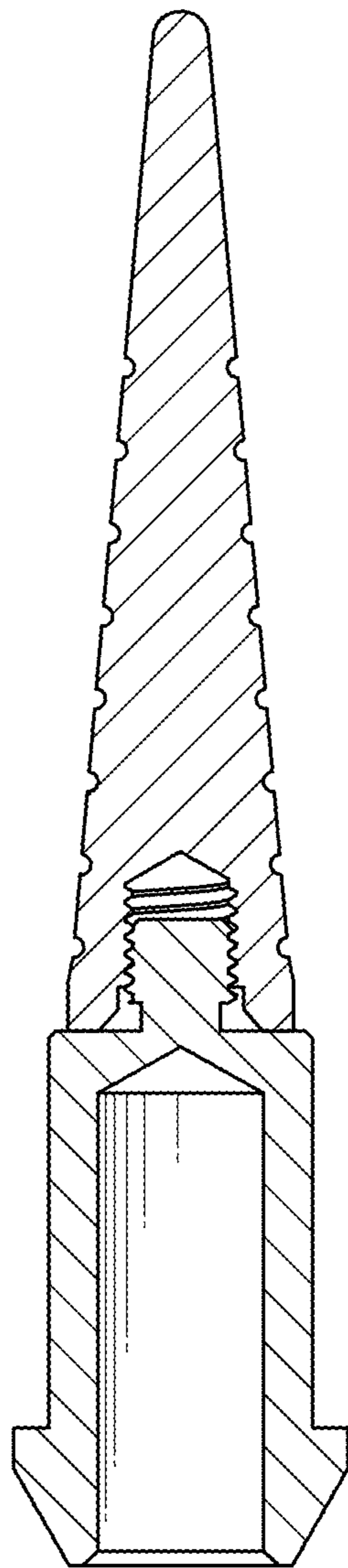


FIG. 7