



US00D792202S

(12) **United States Design Patent**
Baiz et al.

(10) **Patent No.: US D792,202 S**

(45) **Date of Patent: ** *Jul. 18, 2017**

- (54) **LUG NUT**
- (71) Applicants: **Enrique J. Baiz**, Miramar, FL (US);
Oswaldo Izquierdo, Homestead, FL (US)
- (72) Inventors: **Enrique J. Baiz**, Miramar, FL (US);
Oswaldo Izquierdo, Homestead, FL (US)
- (*) Notice: This patent is subject to a terminal disclaimer.
- (**) Term: **15 Years**

4,813,835 A *	3/1989	Toth	B60B 7/00
				411/429
D337,989 S *	8/1993	Lee	D13/133
D449,515 S *	10/2001	Sato	D8/397
D460,347 S *	7/2002	Berry	D8/382
D484,785 S *	1/2004	Plumer	D8/397
D488,715 S *	4/2004	Plumer	D8/397
D510,259 S *	10/2005	Yoshimoto	D8/397
D519,076 S *	4/2006	Fox	D13/133
D583,656 S *	12/2008	Bush	D8/397
D590,243 S *	4/2009	Bush	D8/397
D605,135 S *	12/2009	Malloy	D13/151
D711,732 S *	8/2014	Schermer	D8/397
D727,720 S *	4/2015	Schermer	D8/397
D746,129 S *	12/2015	Kishida	D8/399
2013/0071204 A1 *	3/2013	Hunter	F16B 37/14
				411/373

- (21) Appl. No.: **29/567,551**
- (22) Filed: **Jun. 9, 2016**
- (51) **LOC (10) Cl.** **08-08**
- (52) **U.S. Cl.**
USPC **D8/387; D8/397**
- (58) **Field of Classification Search**
USPC D8/382, 387, 388, 391, 393, 397, 399;
D12/202, 213, 223, 400, 207, 208
CPC F16B 37/00; F16B 37/14; F16B 37/145;
F16B 35/04; F16B 35/06; F16B 41/00;
F16B 41/002; F16B 41/005; F16B 23/00;
B60B 23/06; B60B 23/08; B60B 27/065;
B60B 3/16; B60B 3/165; Y10S 411/91;
Y10S 411/914; Y10S 411/915; Y10T
70/5867
See application file for complete search history.

* cited by examiner

Primary Examiner — Sandra Snapp
Assistant Examiner — Ieisha Price
 (74) *Attorney, Agent, or Firm* — Quickpatents, LLC;
 Kevin Prince

(57) **CLAIM**

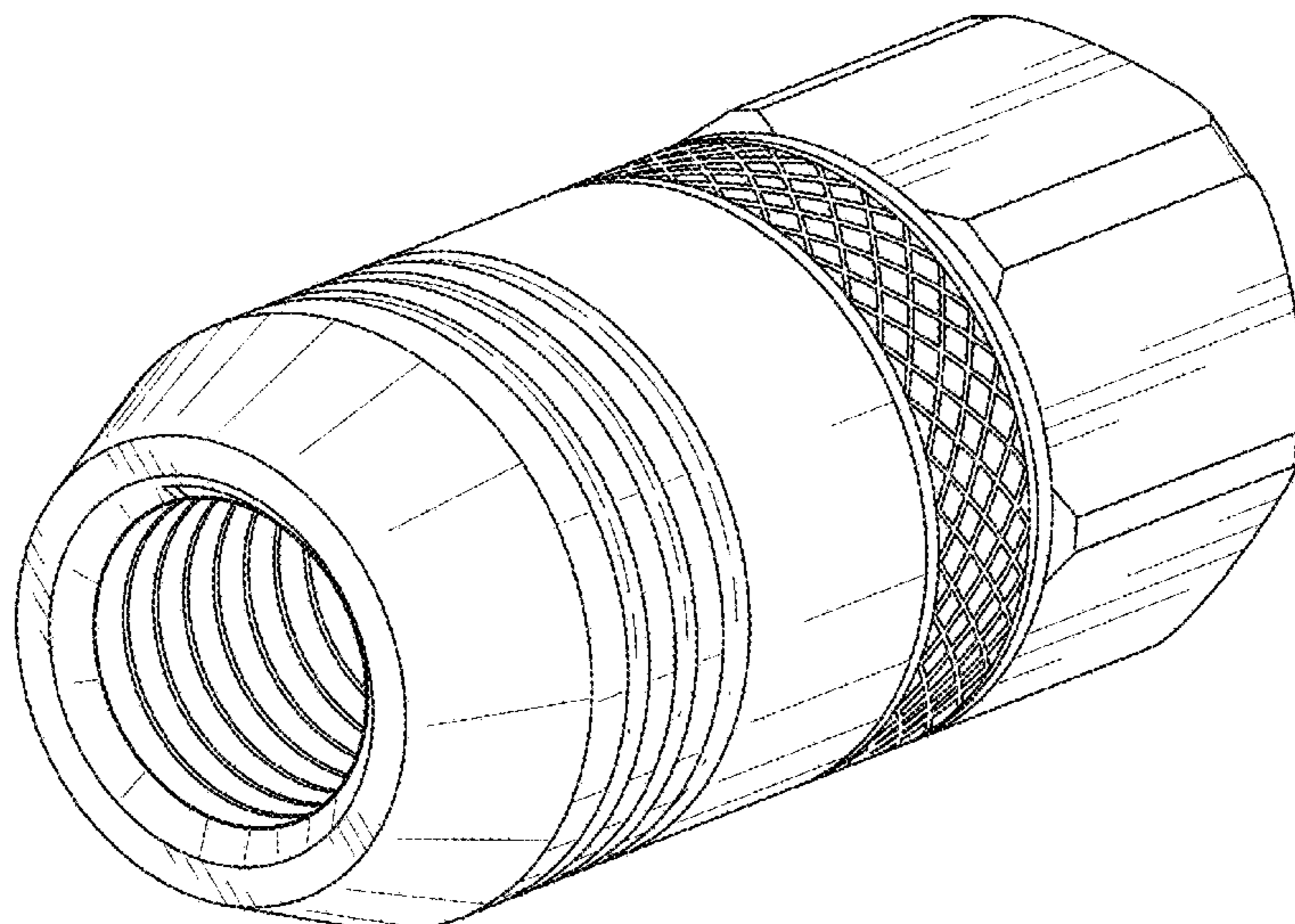
We claim the ornamental design for a lug nut, as shown and described.

DESCRIPTION

FIG. 1 is a bottom perspective view of a lug nut, showing our new design;
 FIG. 2 is a front elevational view thereof, the rear elevational view being a mirror image thereof;
 FIG. 3 is a left-side elevational view thereof, the right-side elevational view being a mirror image thereof;
 FIG. 4 is a bottom plan view thereof;
 FIG. 5 is a top plan view thereof;
 FIG. 6 is a bottom perspective view thereof; and,
 FIG. 7 is a cross-sectional view thereof, taken along line 7-7 of FIG. 5.

1 Claim, 4 Drawing Sheets

- (56) **References Cited**
U.S. PATENT DOCUMENTS
- | | | | | |
|---------------|--------|----------|-------|-----------|
| 2,867,143 A * | 1/1959 | Appleton | | H01R 4/58 |
| | | | | 29/751 |
| D207,181 S * | 3/1967 | Mackie | | D8/397 |
| D208,428 S * | 8/1967 | Holliday | | 411/431 |
| D208,429 S * | 8/1967 | Holliday | | D8/385 |
| D268,565 S * | 4/1983 | Mortus | | D8/397 |



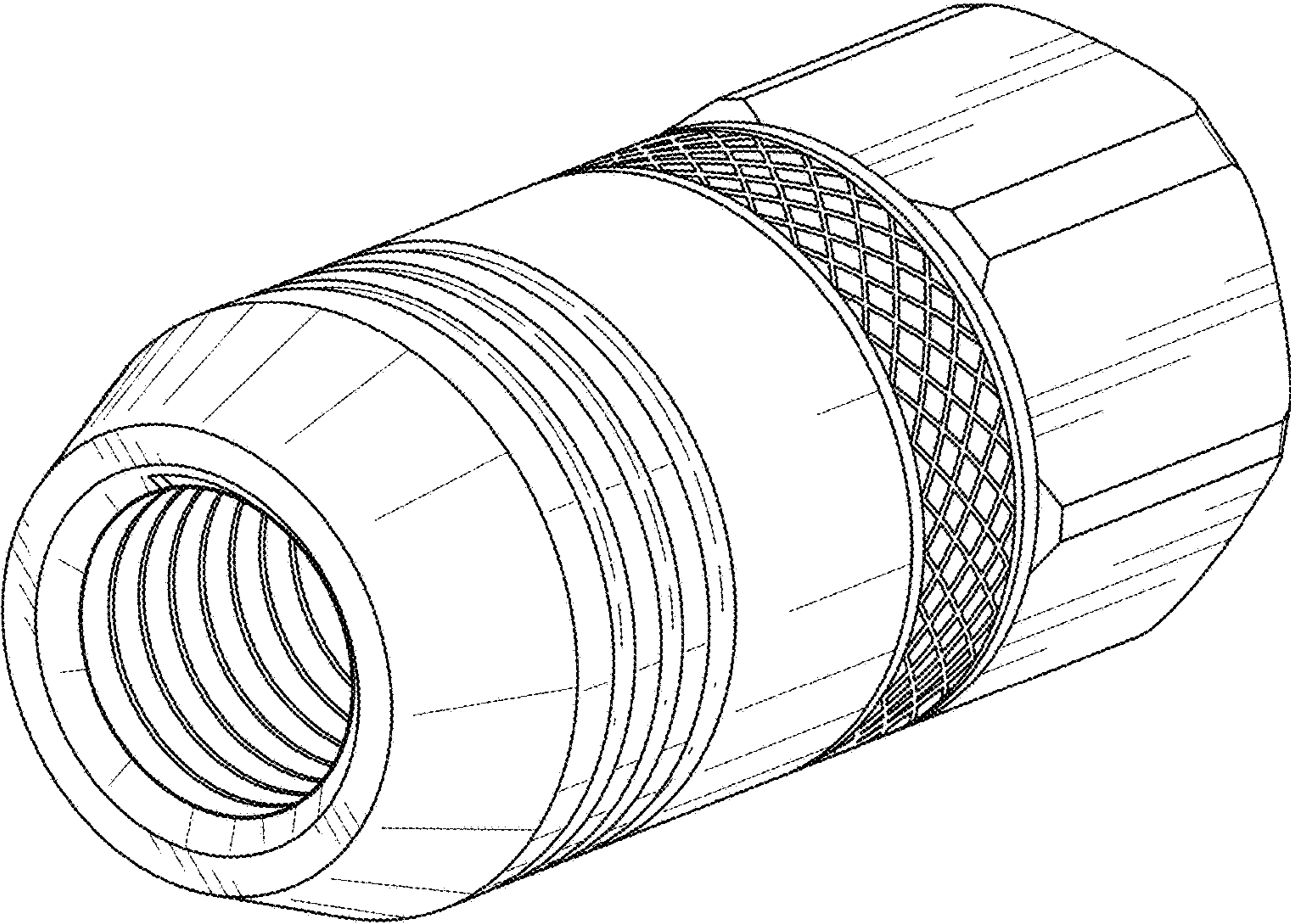


FIG. 1

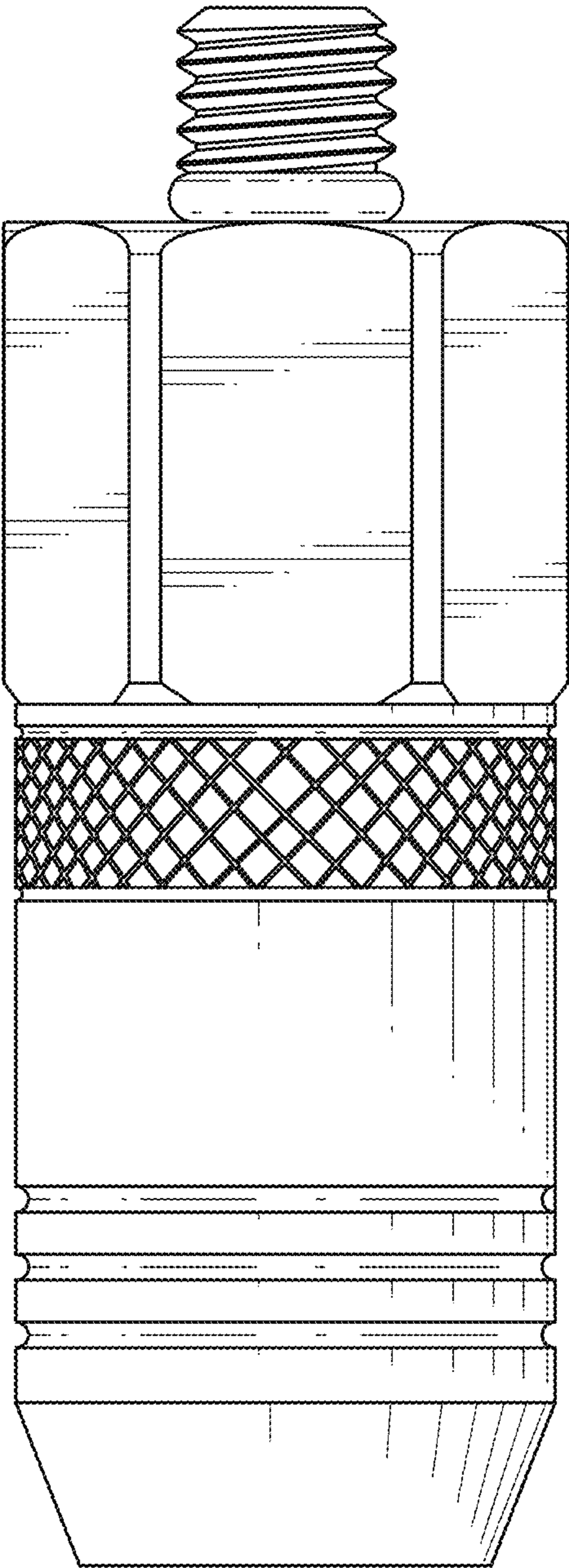


FIG. 2

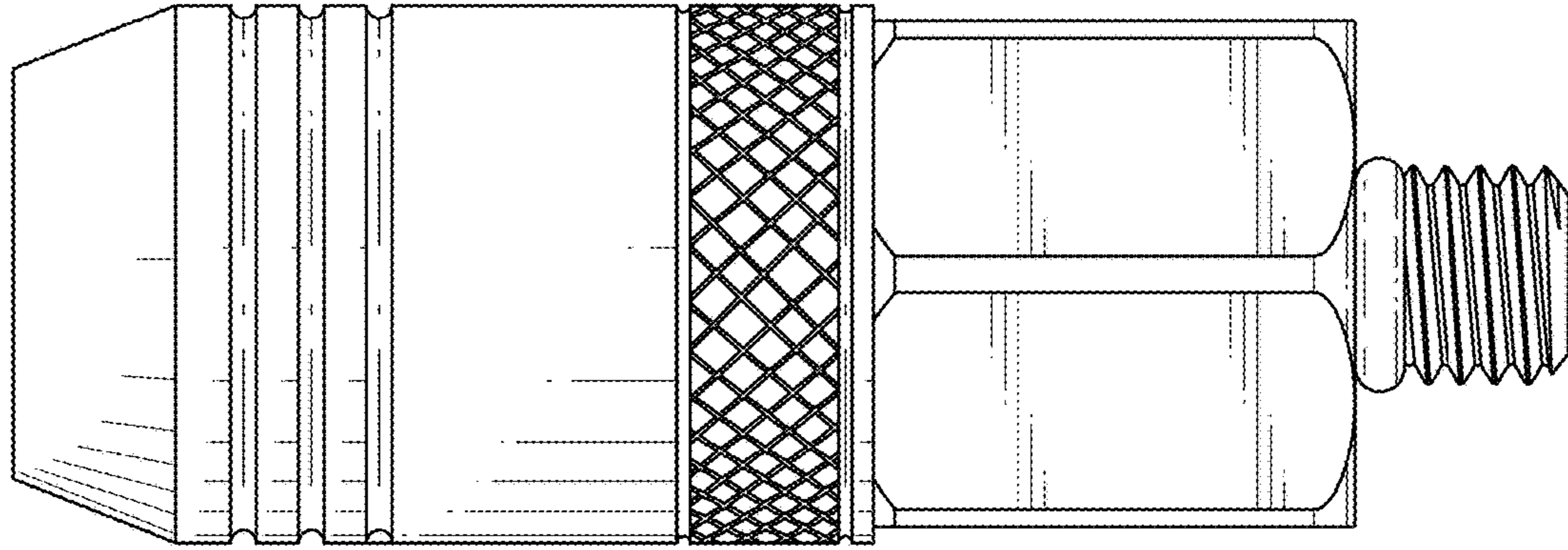


FIG. 3

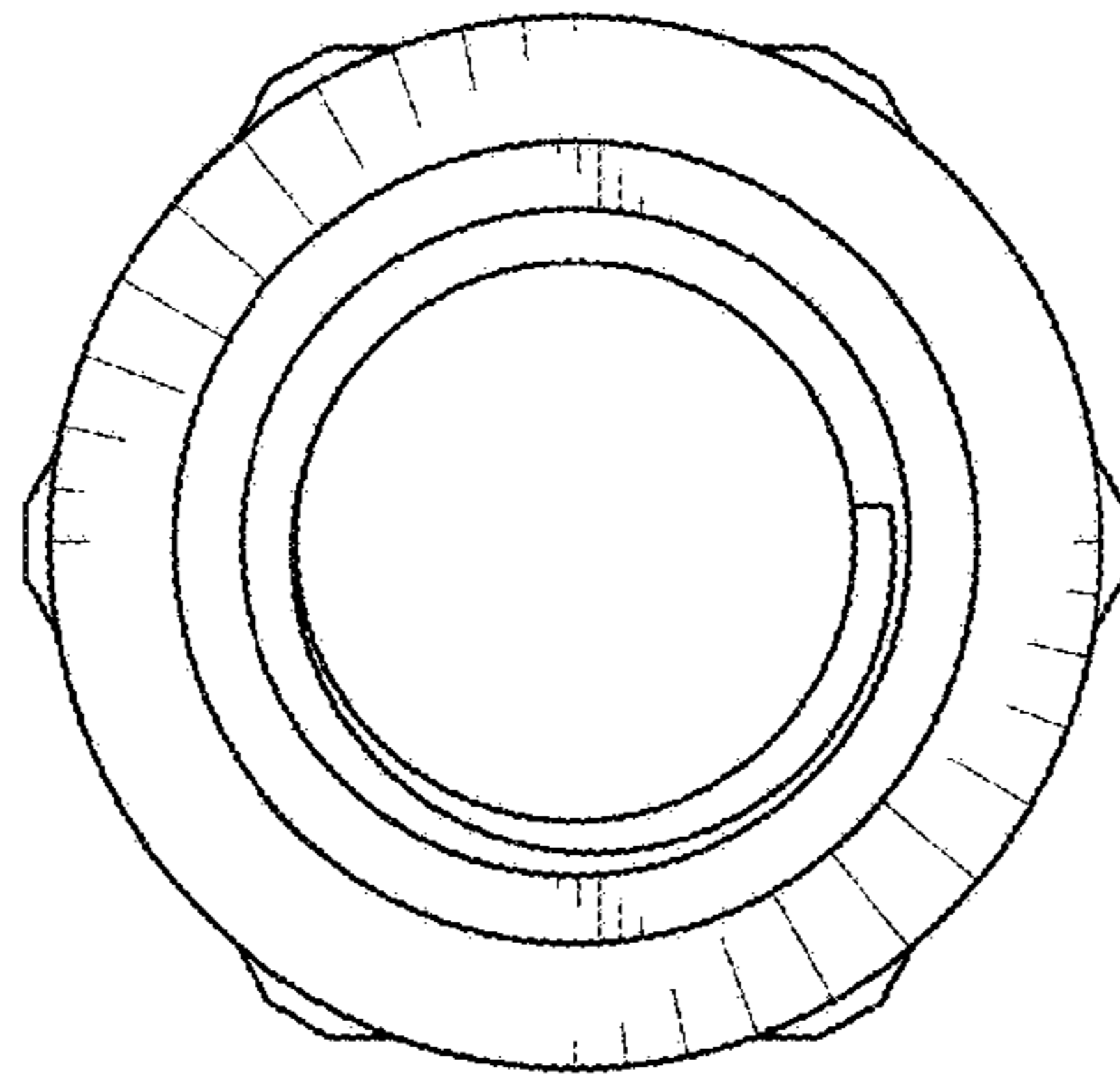


FIG. 4

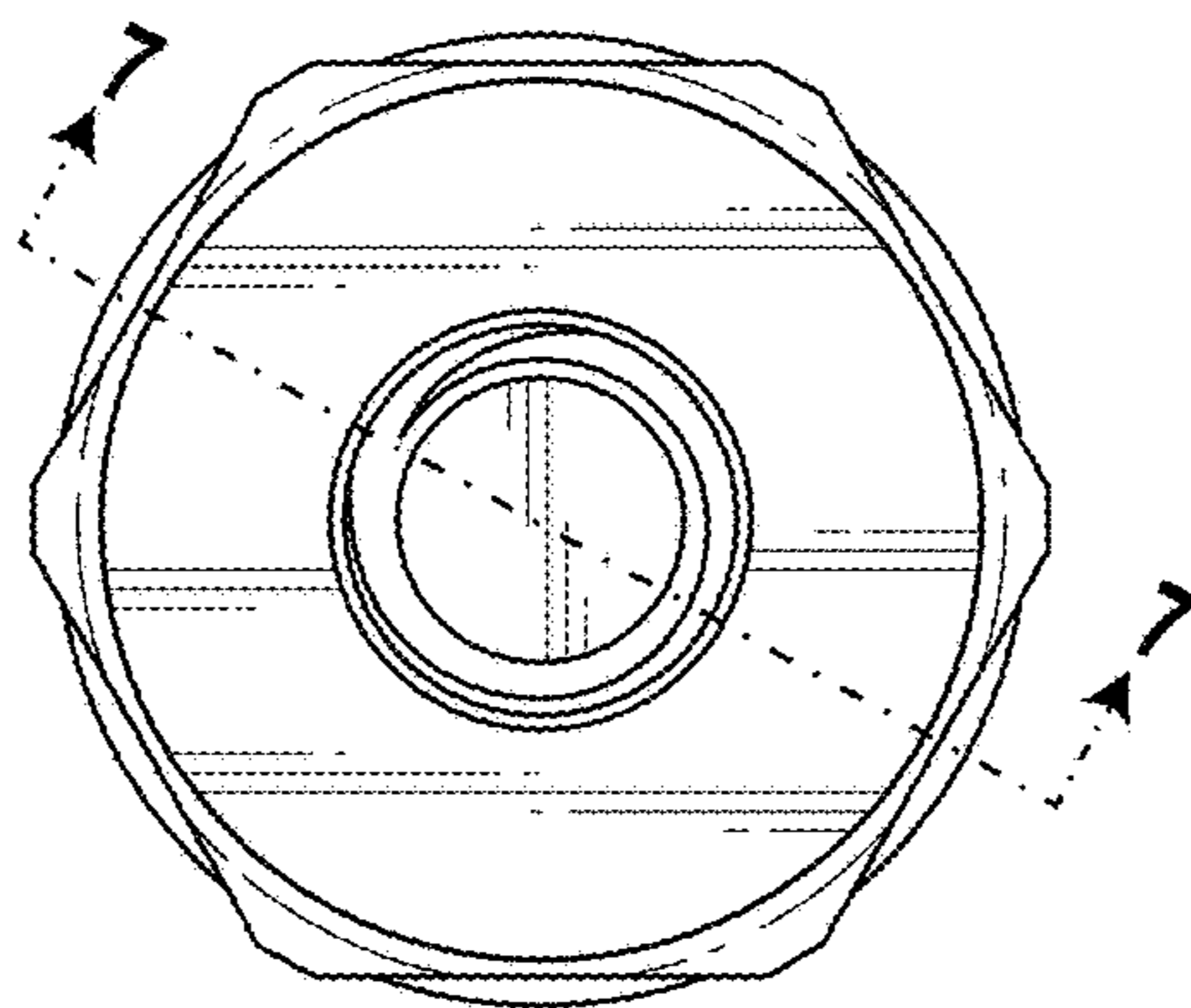


FIG. 5

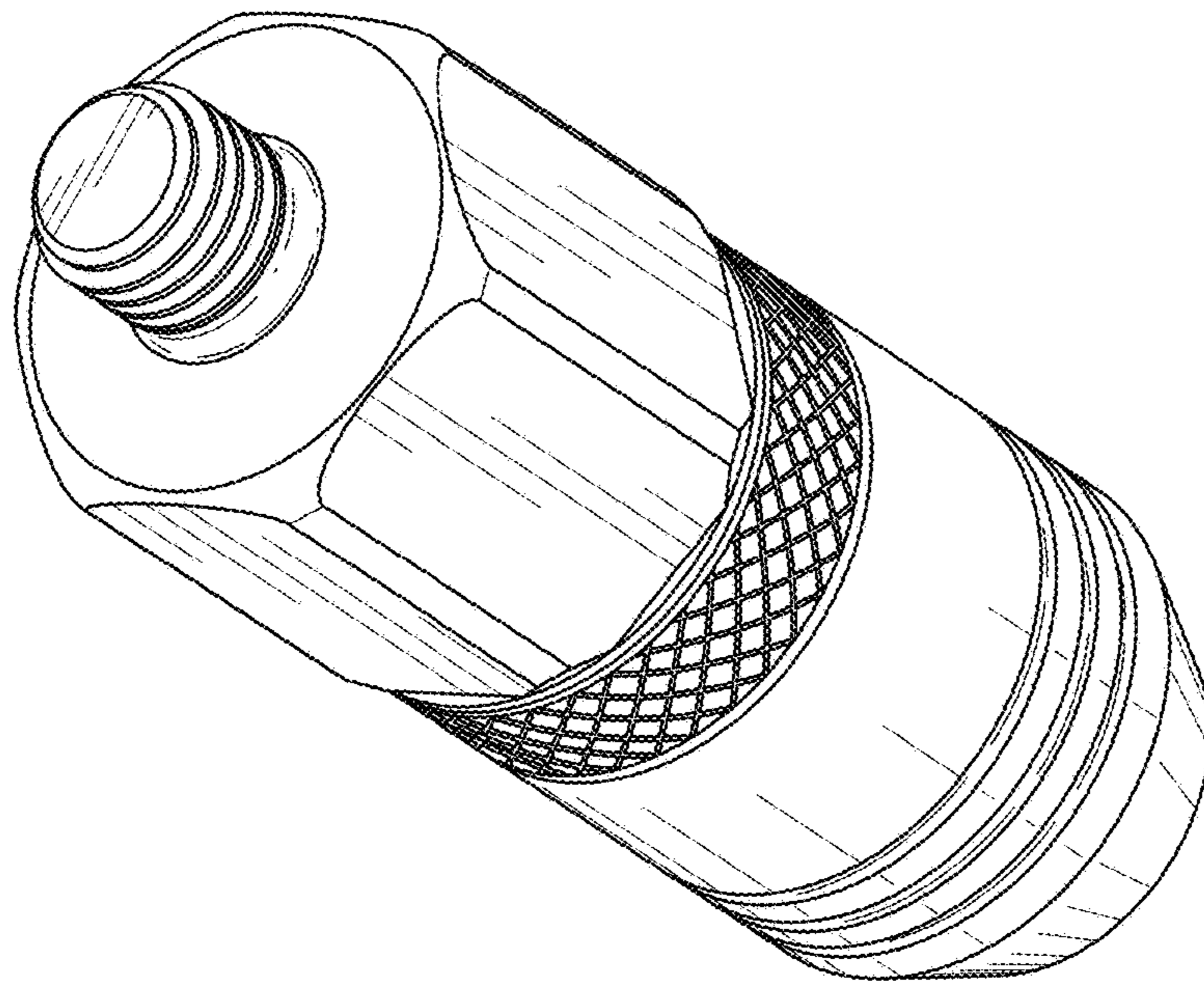


FIG. 6

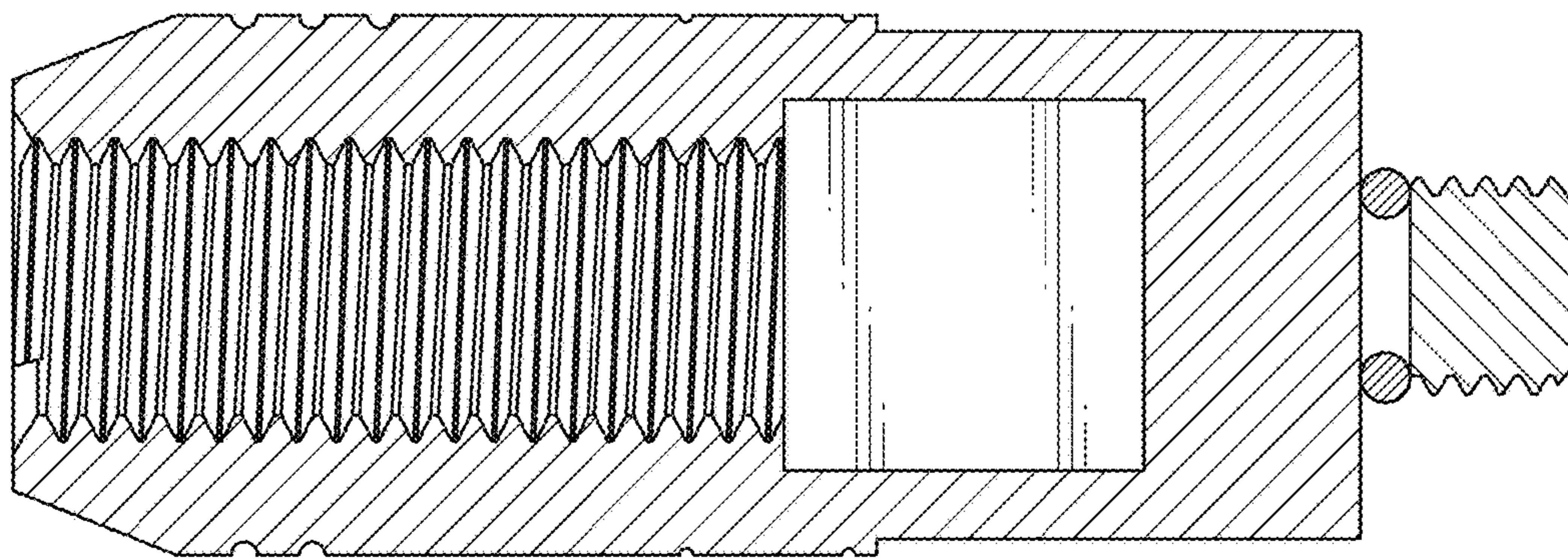


FIG. 7