



US00D792198S

(12) **United States Design Patent** (10) **Patent No.:** **US D792,198 S**
Cmich et al. (45) **Date of Patent:** **** Jul. 18, 2017**

(54) **CASTER WHEEL**

(71) Applicant: **MTD Products Inc**, Valley City, OH (US)

(72) Inventors: **Ryan Cmich**, Sharon Township, OH (US); **Ryan W. Maibach**, Medina, OH (US)

(73) Assignee: **MTD Products Inc**, Valley City, OH (US)

(**) Term: **15 Years**

(21) Appl. No.: **29/543,900**

(22) Filed: **Oct. 29, 2015**

(51) **LOC (10) Cl.** **08-05**

(52) **U.S. Cl.**
USPC **D8/375**

(58) **Field of Classification Search**
 USPC D8/375, 374, 382, 354, 377, 358, 356, D8/359; D10/72, 61, 62; D12/19, 501, D12/204, 557; D24/138; D3/318, 279, D3/271.12, 24; D15/14, 15, 28, 67; D14/484; D34/27, 14, 19, 24, 25; D21/424, 425, 533, 534, 535, 536; D25/48.4; D22/140, 137
 CPC A01D 2101/00; A01D 34/64; A01D 34/69; B60G 2300/084; B60B 33/00; B60B 33/0015; B60B 33/006; B60B 33/0063; B60B 3/00; B60B 3/082; B60Y 2200/223; B60Y 2200/20
 See application file for complete search history.

(56) **References Cited**

U.S. PATENT DOCUMENTS

D309,254 S * 7/1990 Guile 16/45
 D318,219 S * 7/1991 Guile D8/375
 D318,791 S * 8/1991 Guile D8/375
 5,204,814 A 4/1993 Noonan et al.

D377,356 S * 1/1997 Bruns D15/28
 D386,191 S * 11/1997 Bruns D15/28
 D396,863 S * 8/1998 Bruns D15/28
 6,321,515 B1 11/2001 Colens
 6,327,741 B1 12/2001 Reed
 6,339,735 B1 1/2002 Peless et al.
 6,493,613 B2 12/2002 Peless et al.
 D518,074 S * 3/2006 Yoshida D15/28
 7,079,923 B2 7/2006 Abramson et al.
 7,444,206 B2 10/2008 Abramson et al.
 7,613,543 B2 11/2009 Petersson et al.
 7,668,631 B2 2/2010 Bernini
 7,729,801 B2 6/2010 Abramson

(Continued)

FOREIGN PATENT DOCUMENTS

EP 2648307 A1 10/2013
 EP 2656718 A1 10/2013
 EP 2852029 A1 3/2015

Primary Examiner — Robert M Spear
Assistant Examiner — Eliza Bennett-Hattan
 (74) *Attorney, Agent, or Firm* — Wegman, Hessler & Vanderburg

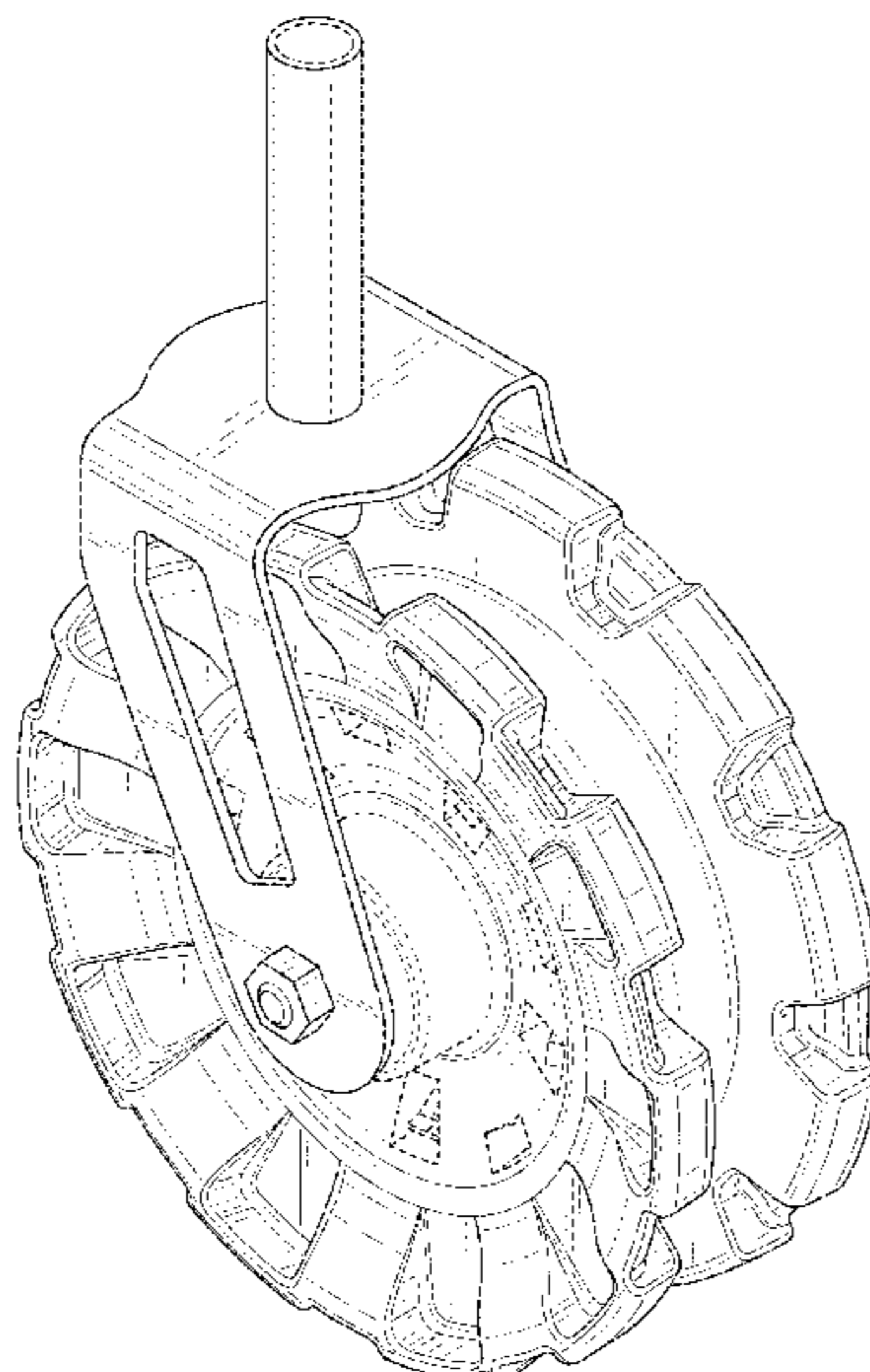
(57) **CLAIM**

We claim the ornamental design for a caster wheel, as shown and described.

DESCRIPTION

FIG. 1 is a top perspective view of a caster wheel showing our new design;
 FIG. 2 is a front view thereof;
 FIG. 3 is a rear view thereof;
 FIG. 4 is a right side view thereof;
 FIG. 5 is a left side view thereof;
 FIG. 6 is a top view; and,
 FIG. 7 is a bottom view.
 The broken lines shown in the drawings are for the purpose of illustrating portions of the article that form no part of the claimed design.

1 Claim, 7 Drawing Sheets



(56)

References Cited

U.S. PATENT DOCUMENTS

7,769,490	B2	8/2010	Abramson et al.	
8,046,103	B2	10/2011	Abramson et al.	
8,239,992	B2	8/2012	Schnittman et al.	
8,428,776	B2	4/2013	Letsky	
8,452,450	B2	5/2013	Dooley et al.	
8,532,822	B2	9/2013	Abramson et al.	
8,600,582	B2	12/2013	Bernini	
8,676,378	B2	3/2014	Tian et al.	
8,818,602	B2	8/2014	Yamamura et al.	
8,868,237	B2	10/2014	Sandin et al.	
D718,793	S *	12/2014	Gur	D15/14
8,983,693	B2	3/2015	Yamamura et al.	
2006/0150361	A1	7/2006	Aldred et al.	
2011/0234153	A1	9/2011	Abramson	
2013/0211646	A1	8/2013	Yamamura et al.	
2013/0211647	A1	8/2013	Yamamura et al.	
2013/0317680	A1	11/2013	Yamamura et al.	
2014/0031979	A1	1/2014	Borinato et al.	
2014/0058611	A1	2/2014	Borinato	
2014/0324269	A1	10/2014	Abramson et al.	

* cited by examiner

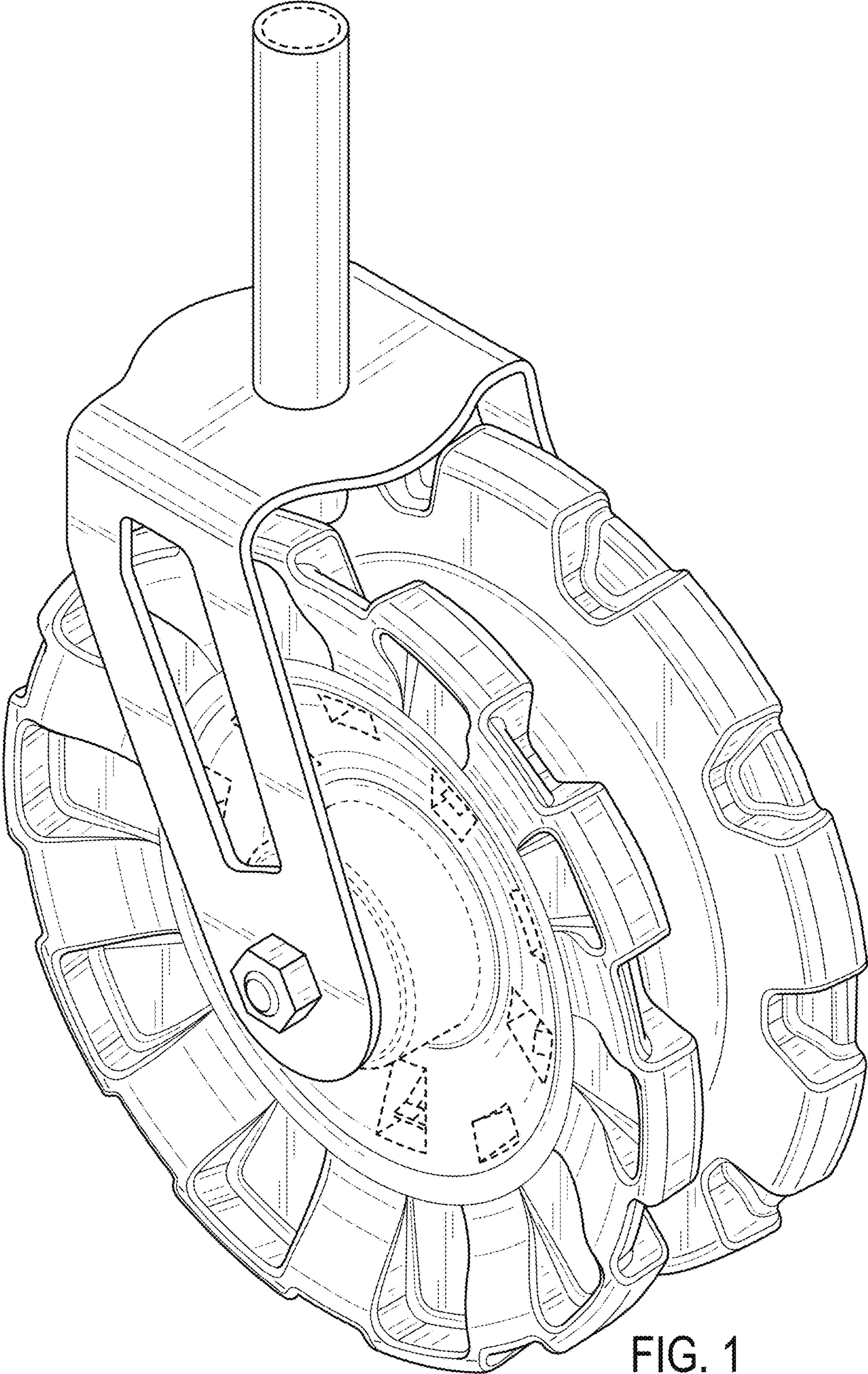


FIG. 1

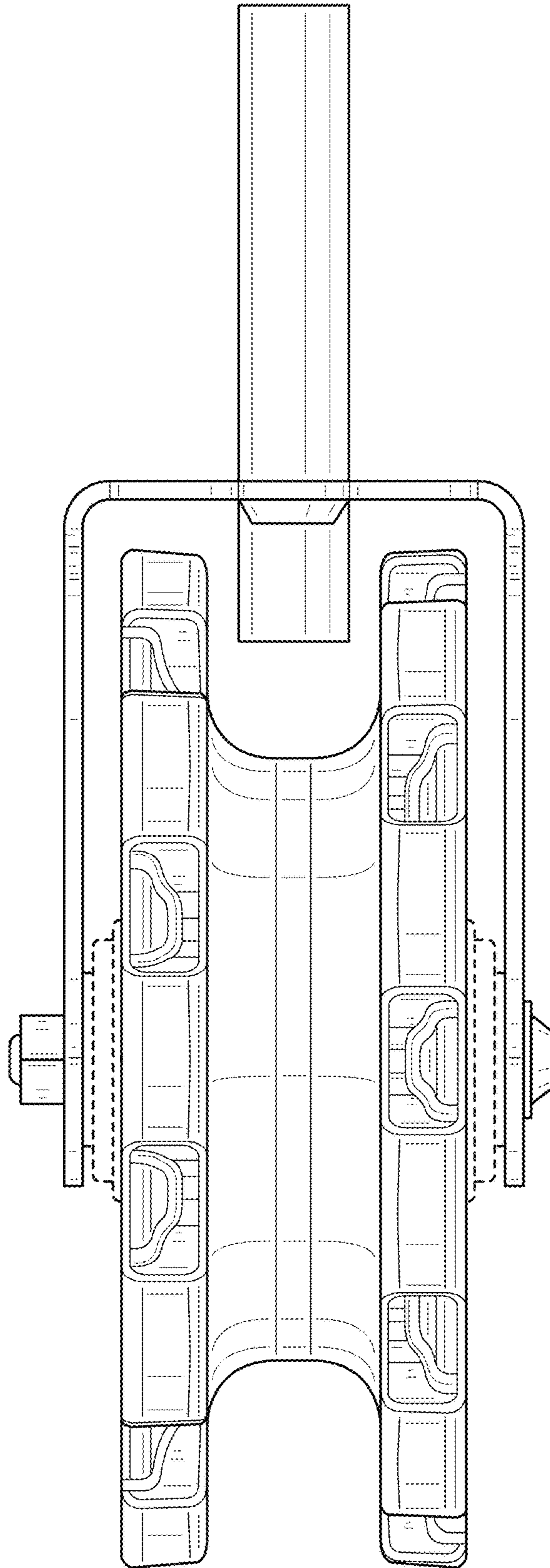


FIG. 2

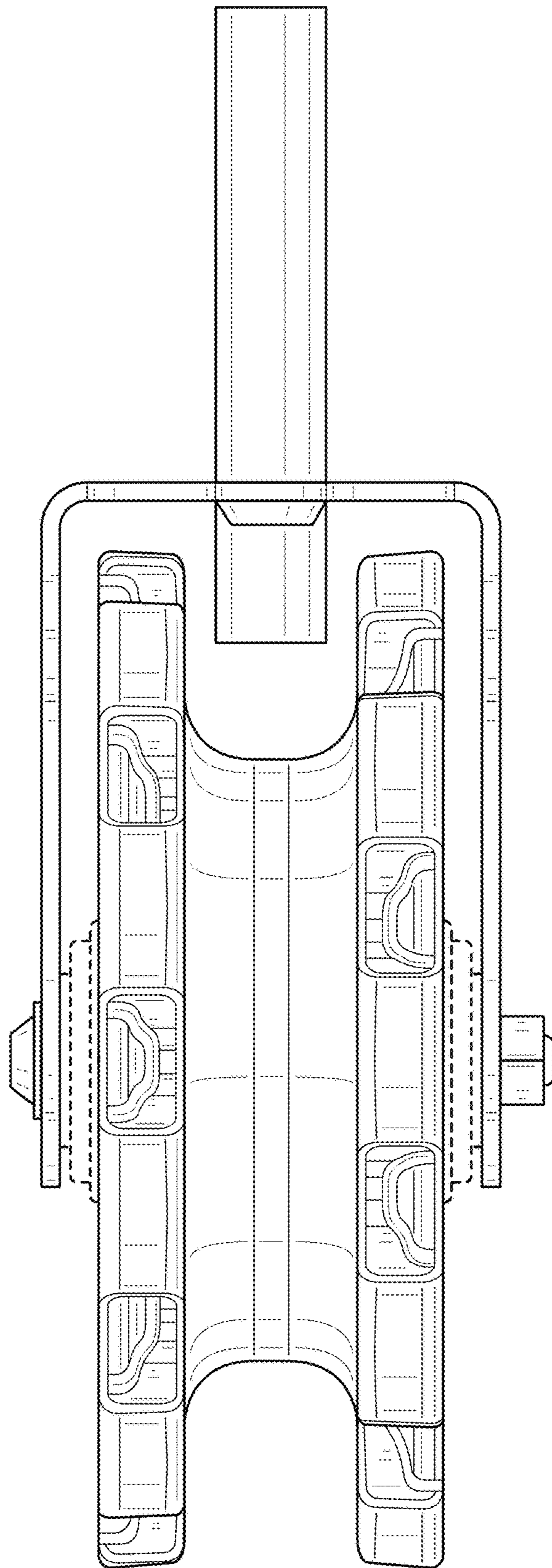


FIG. 3

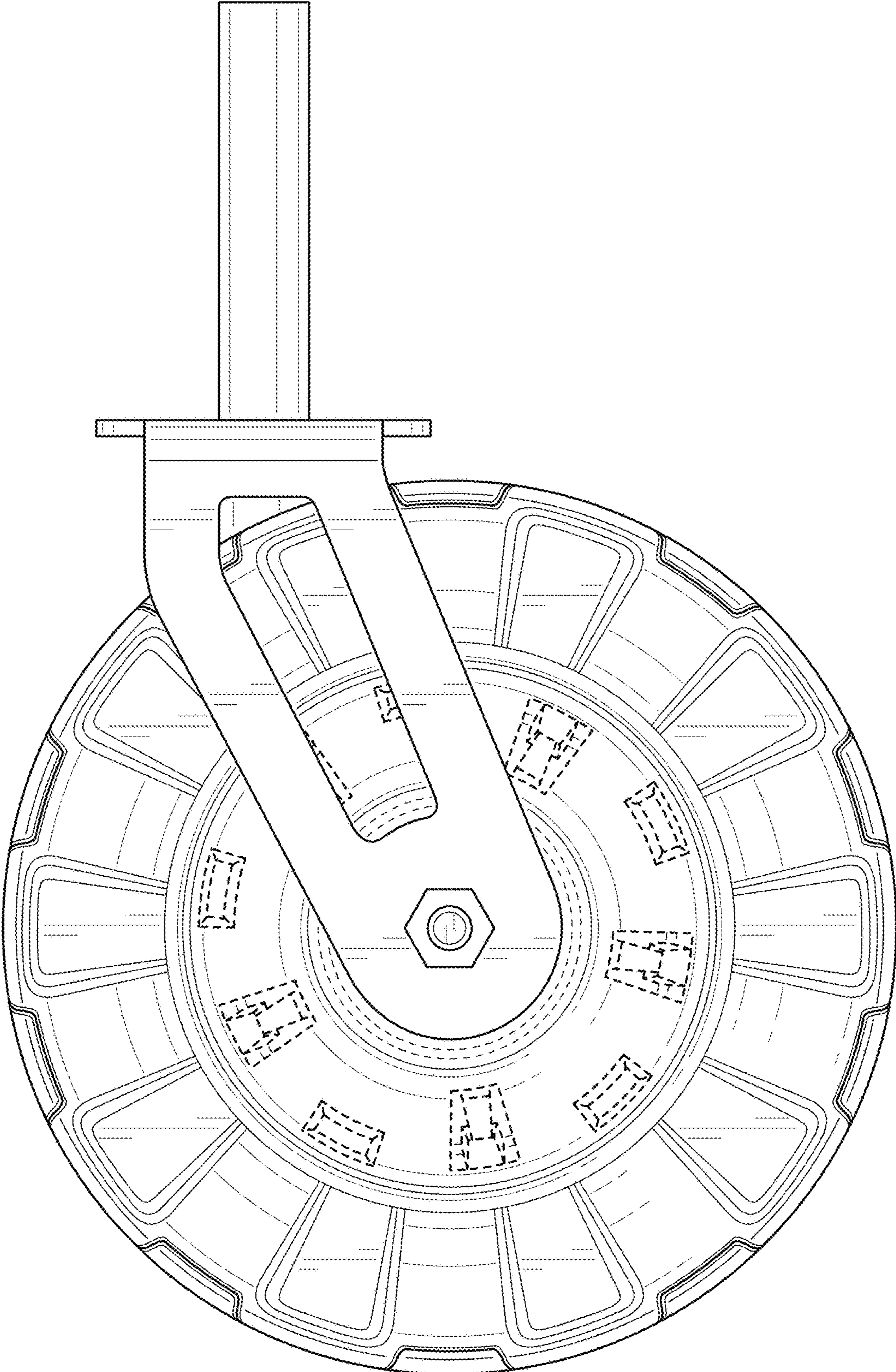


FIG. 4

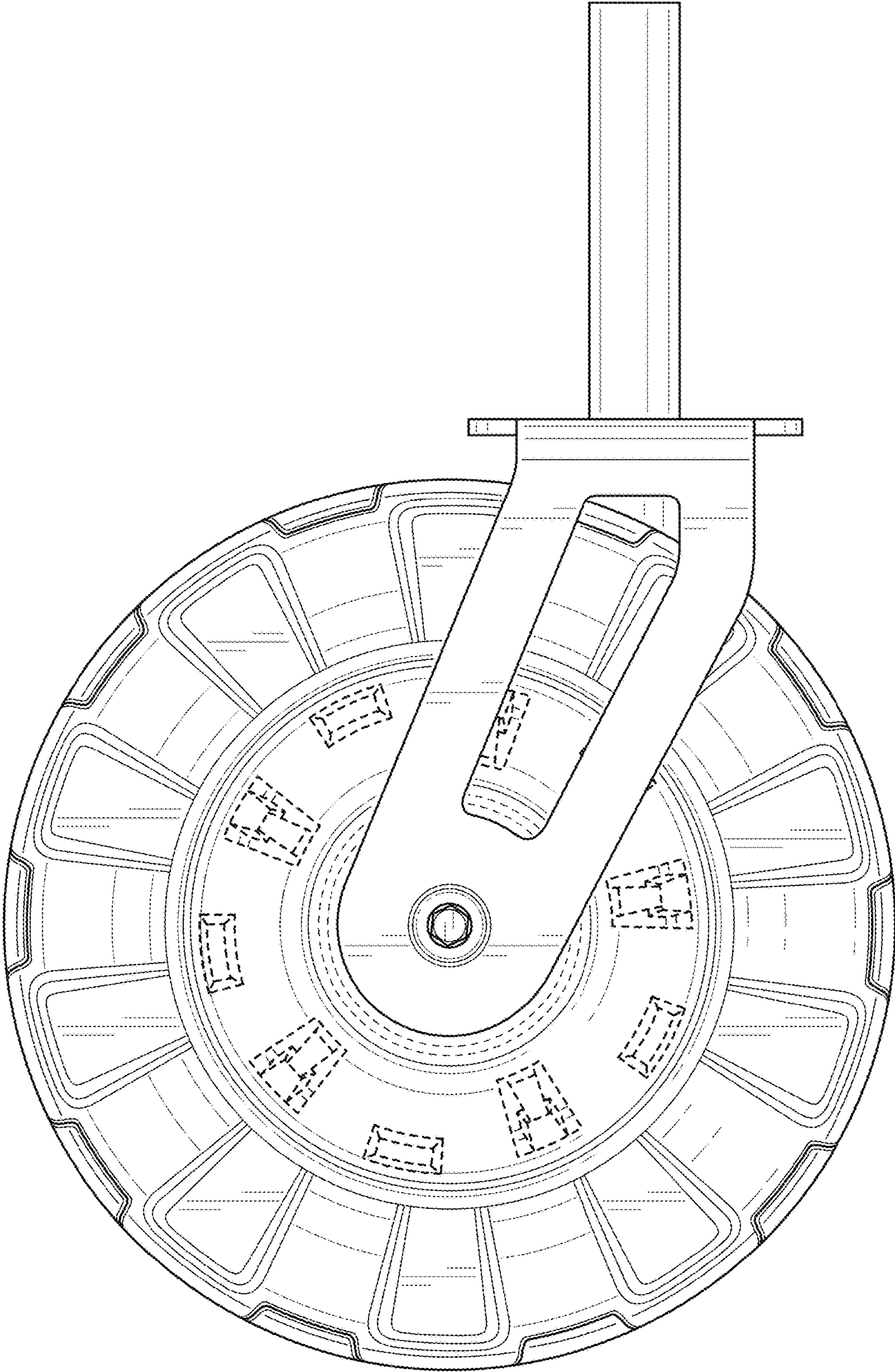


FIG. 5

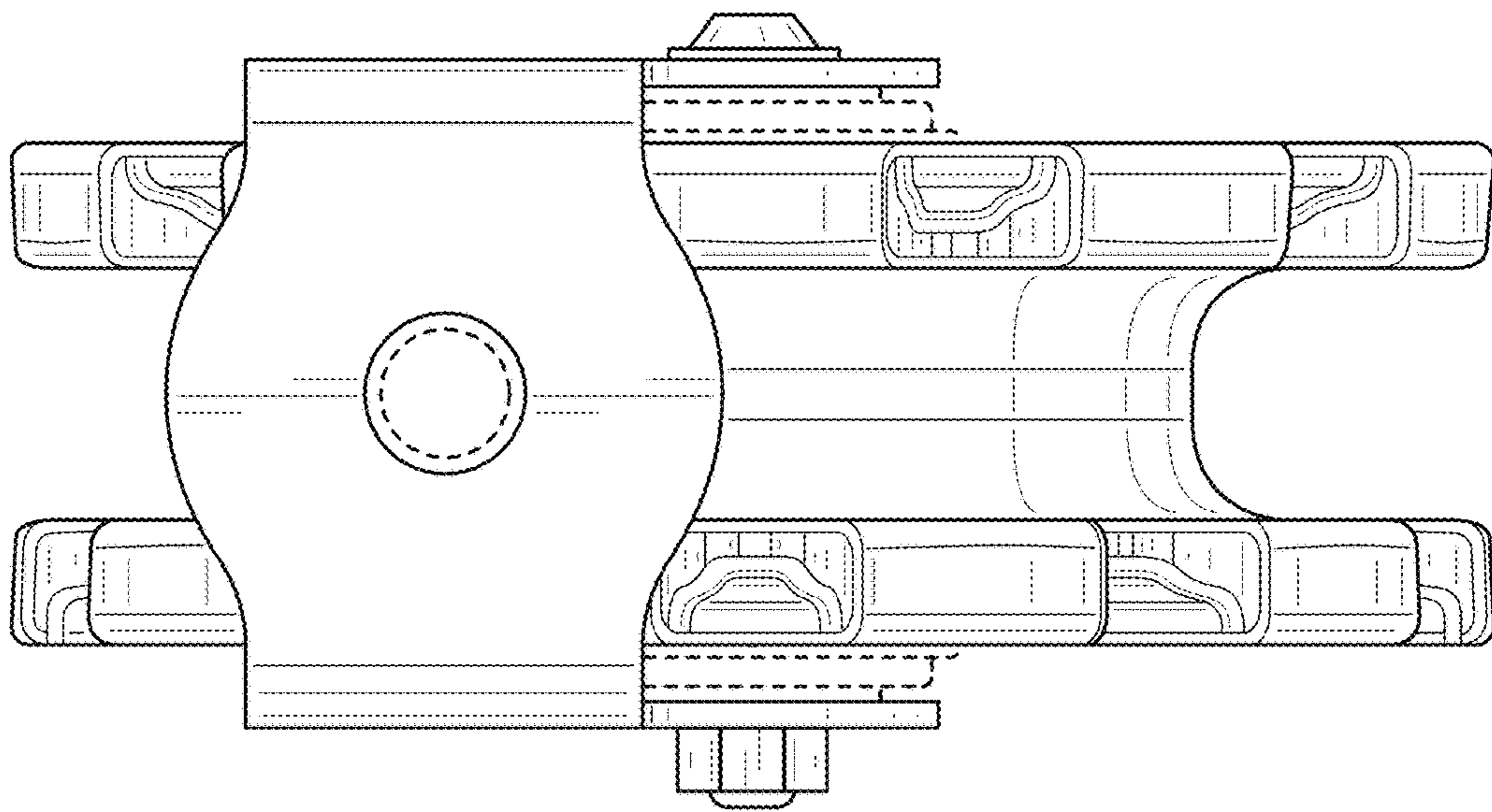


FIG. 6

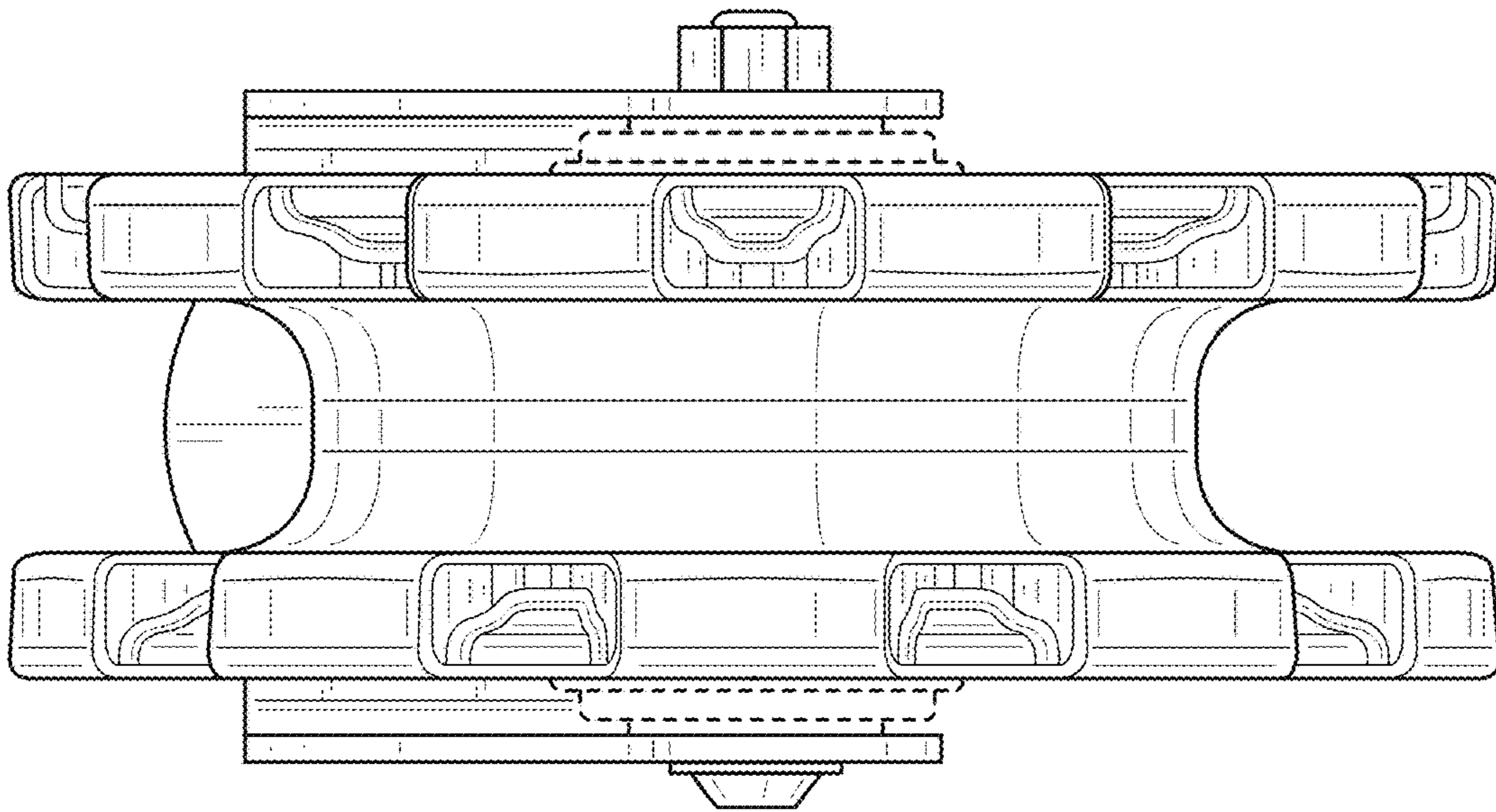


FIG. 7