



US00D792197S

(12) **United States Design Patent**
Kundig

(10) **Patent No.:** **US D792,197 S**

(45) **Date of Patent:** **** Jul. 18, 2017**

- (54) **HALF-PIPE COAT HOOK**
- (71) Applicant: **Olson Kundig, Inc.**, Seattle, WA (US)
- (72) Inventor: **Thomas Kundig**, Seattle, WA (US)
- (73) Assignee: **Olson Kundig, Inc.**, Seattle, WA (US)

(**) Term: **15 Years**

(21) Appl. No.: **29/564,614**

(22) Filed: **May 13, 2016**

(51) **LOC (10) Cl.** **08-05**

(52) **U.S. Cl.**
USPC **D8/371**

(58) **Field of Classification Search**
USPC D8/16, 19, 349, 363, 367, 366, 371, 372,
D8/373; D6/650, 323, 327, 567
CPC A47G 25/0614; A47G 25/18; A47G 25/32;
A47G 29/00; E05B 1/0015; E05C 17/50;
E05C 19/02; E05C 3/045; E05C 3/30;
F16M 13/022

See application file for complete search history.

(56) **References Cited**

U.S. PATENT DOCUMENTS

- D108,649 S * 3/1938 Savaglio D8/366
- D168,074 S * 10/1952 Symington D8/354
- D201,638 S * 7/1965 Fenburr D8/371
- D240,351 S * 6/1976 Generalis D12/115

- D268,314 S * 3/1983 Smith D8/349
- D316,956 S * 5/1991 Hoskinson D8/367
- D355,349 S * 2/1995 Taparuskas, Jr. D8/349
- D646,957 S * 10/2011 Syed D8/363
- D684,034 S * 6/2013 Vaughan D8/349
- D707,535 S * 6/2014 Burr D8/363

OTHER PUBLICATIONS

Tom Kundig Hardware Collection posted on Aug. 1, 2013 by Rachel Hennessey on Architizer found on Mar. 2, 2017 at <http://architizer.com/blog/architects-olson-and-kundig-launch-furniture-and-hardware-lines/>.*

* cited by examiner

Primary Examiner — Robert M Spear
Assistant Examiner — Eliza Bennett-Hattan
(74) *Attorney, Agent, or Firm* — Lane Powell, P.C.

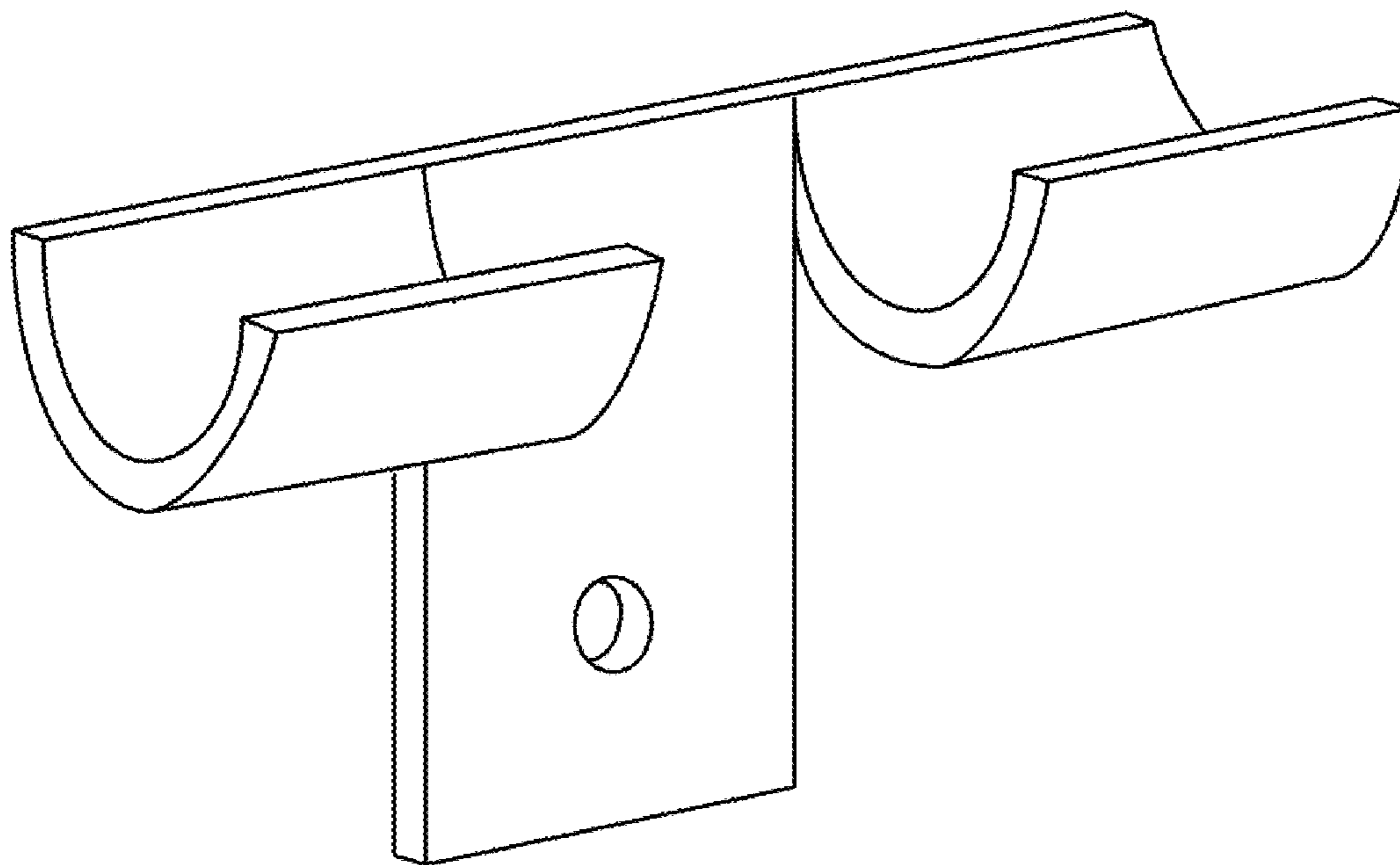
(57) **CLAIM**

The ornamental design for a half-pipe coat hook, as shown and described.

DESCRIPTION

FIG. 1 is a front isometric view of the half-pipe coat hook; FIG. 2 is a front view thereof; FIG. 3 is a back view thereof; FIG. 4 is a top view thereof; FIG. 5 is a bottom front view thereof; FIG. 6 is a left side view thereof; and, FIG. 7 is a right side view thereof.

1 Claim, 2 Drawing Sheets



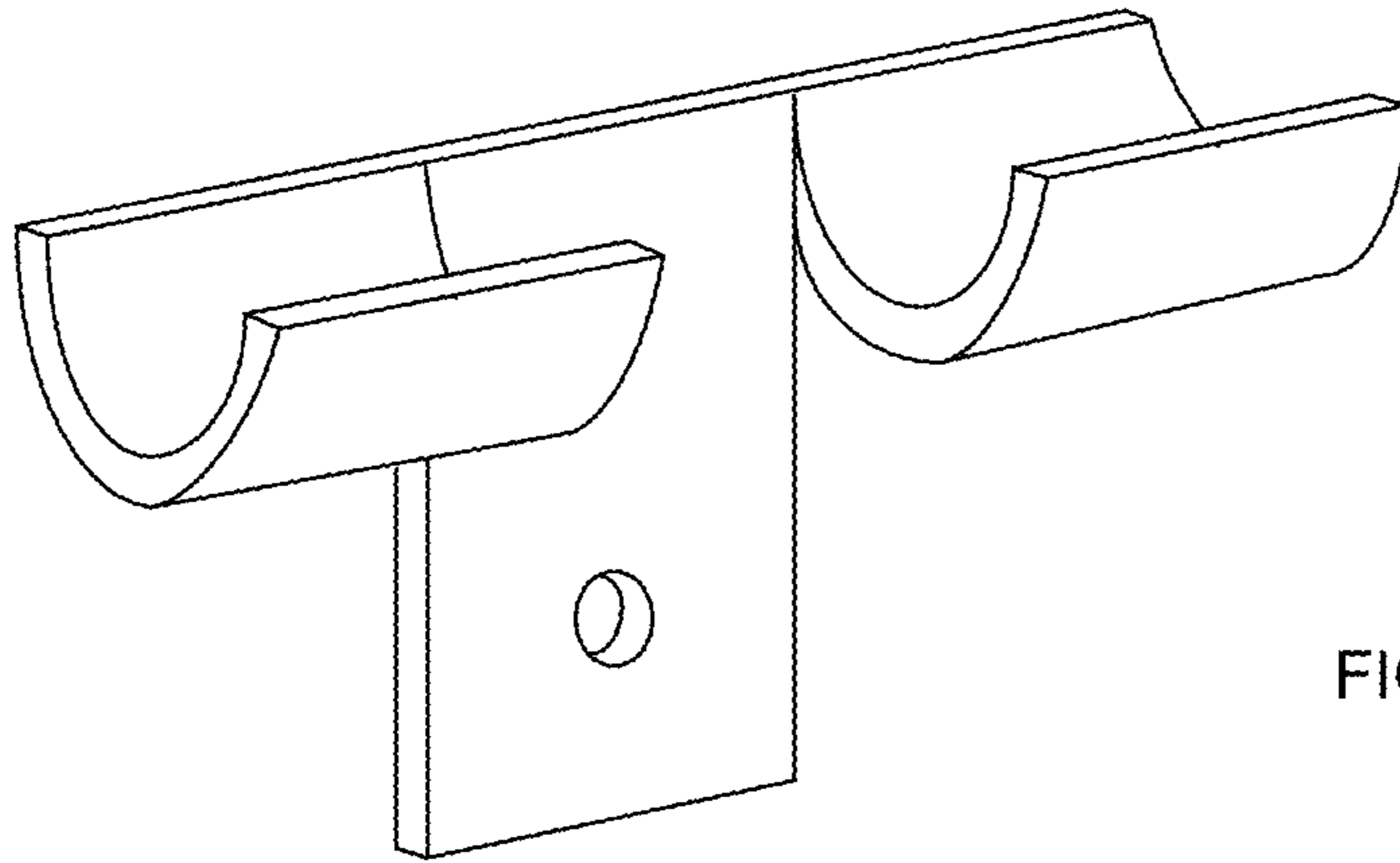


FIG. 1

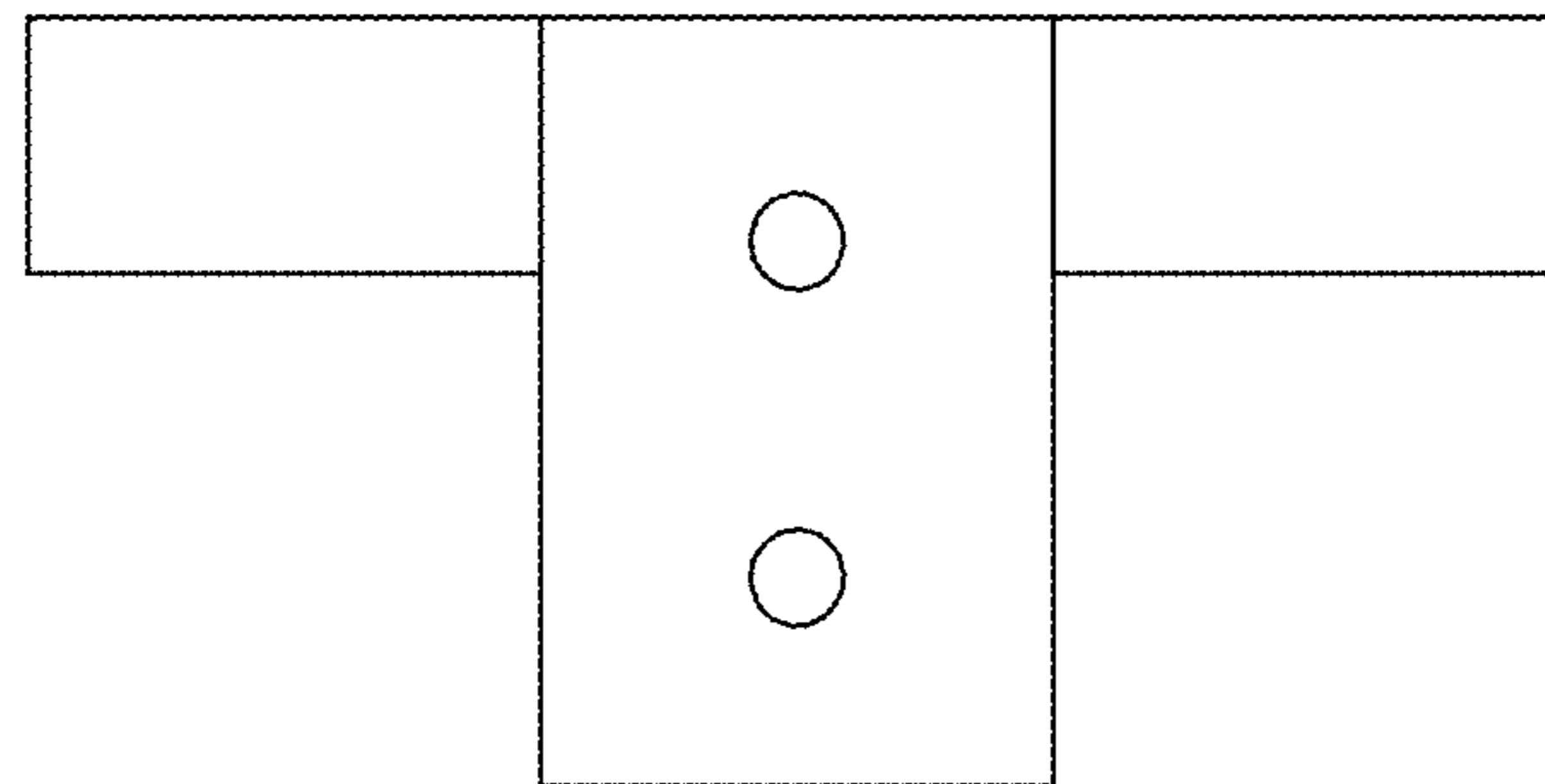


FIG. 2

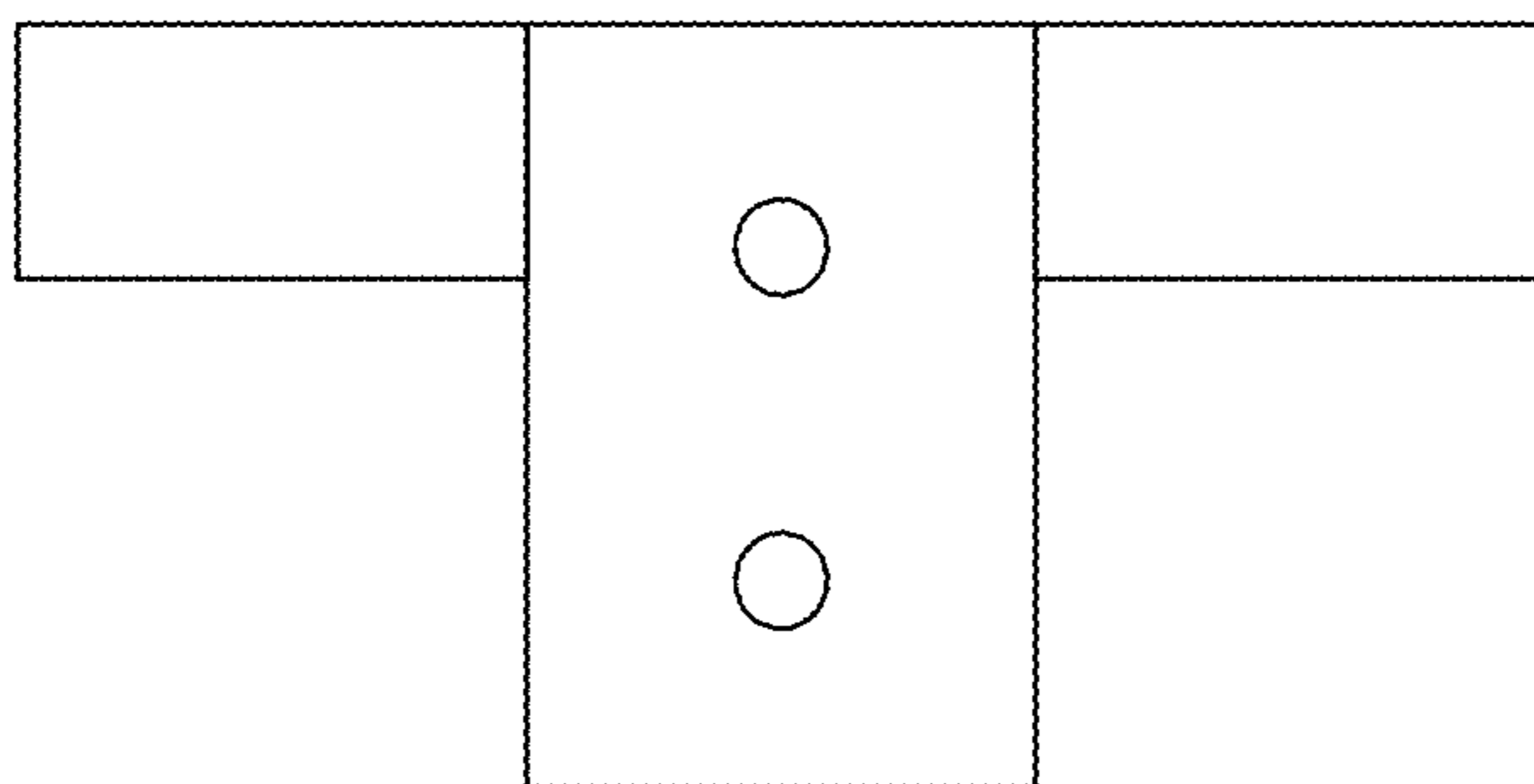


FIG. 3

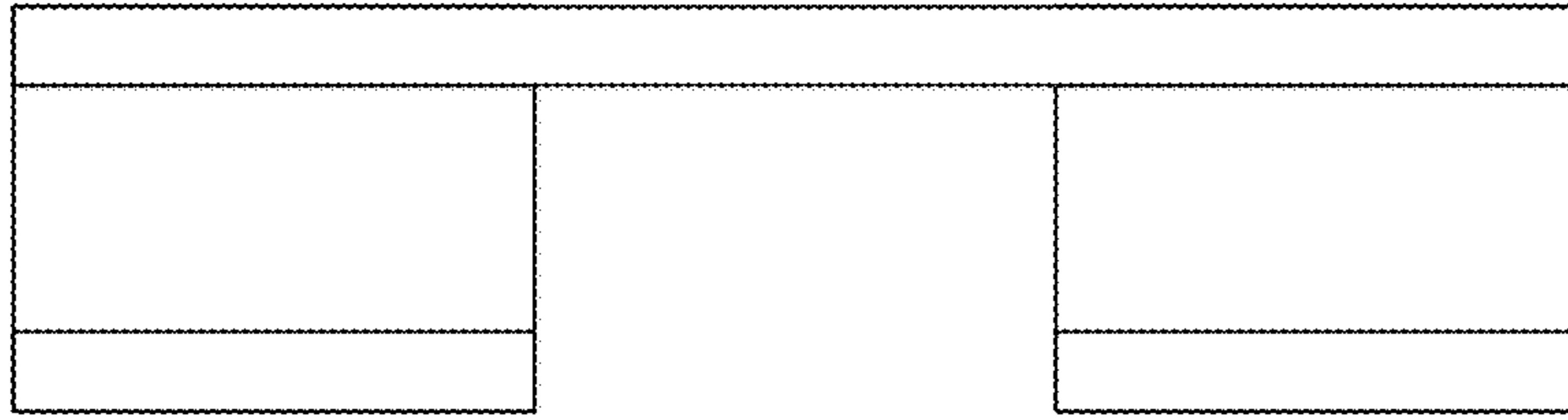


FIG. 4

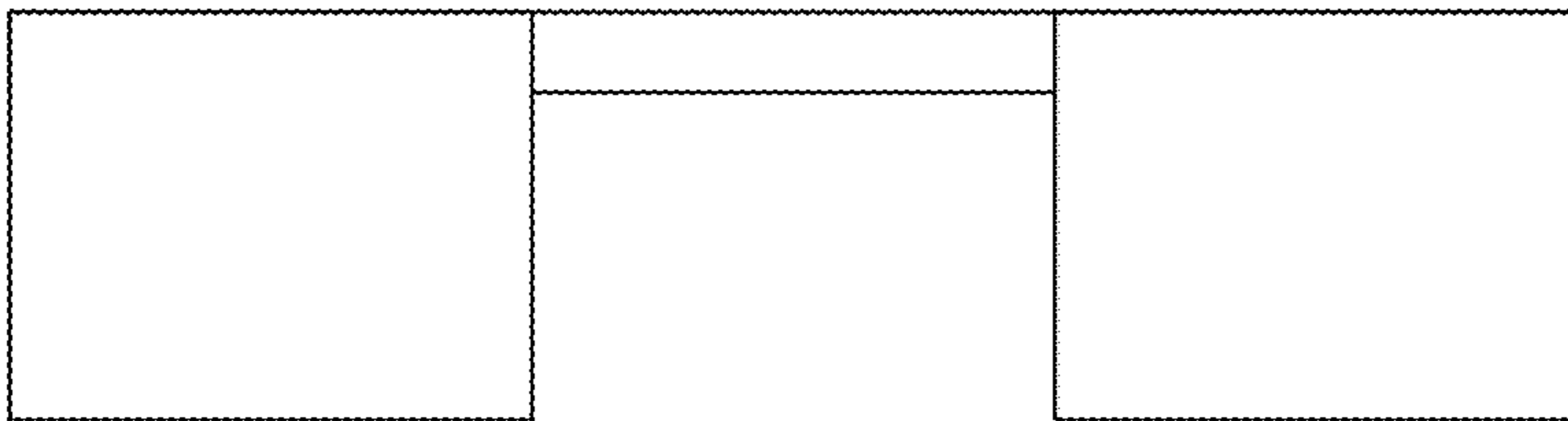


FIG. 5

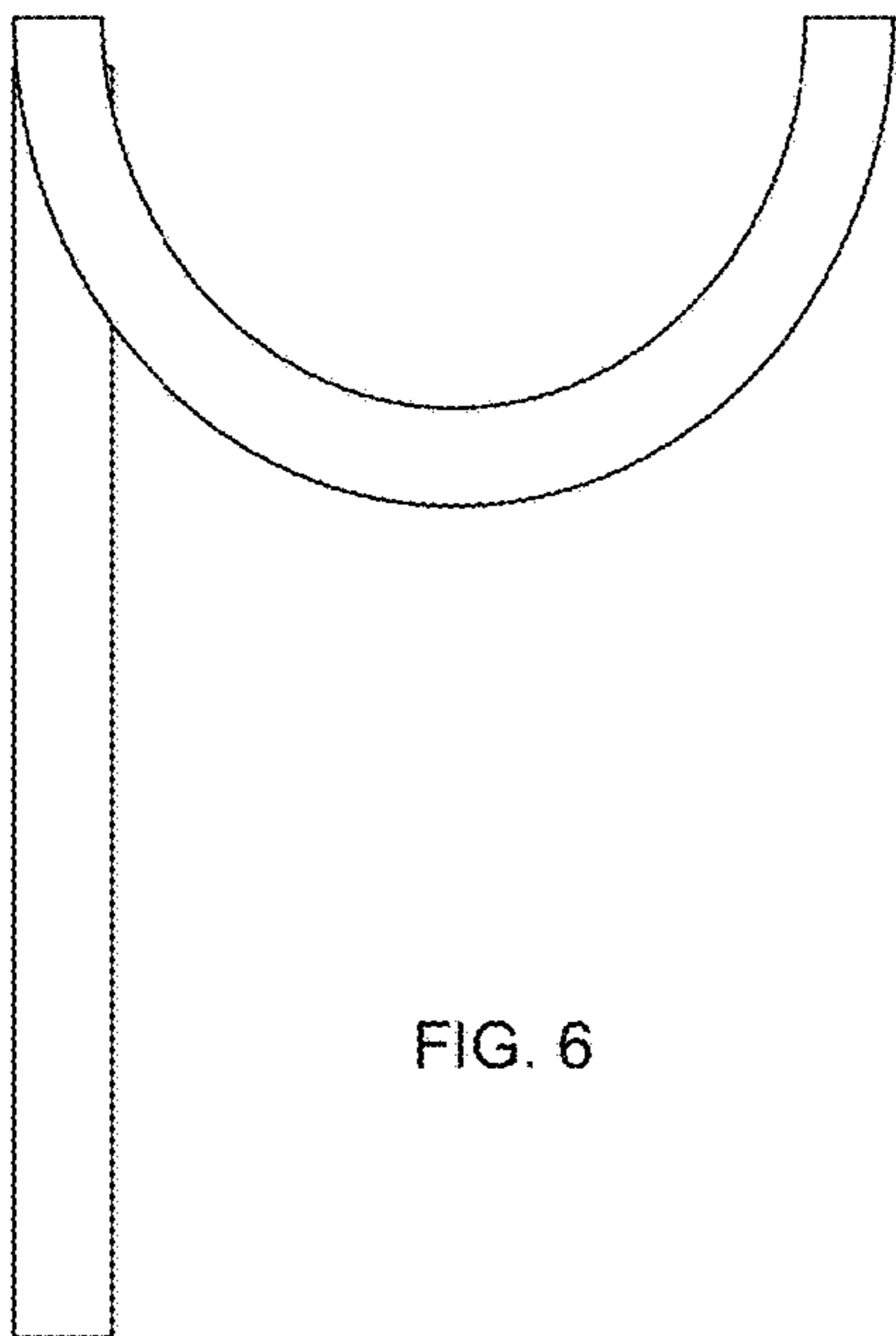


FIG. 6

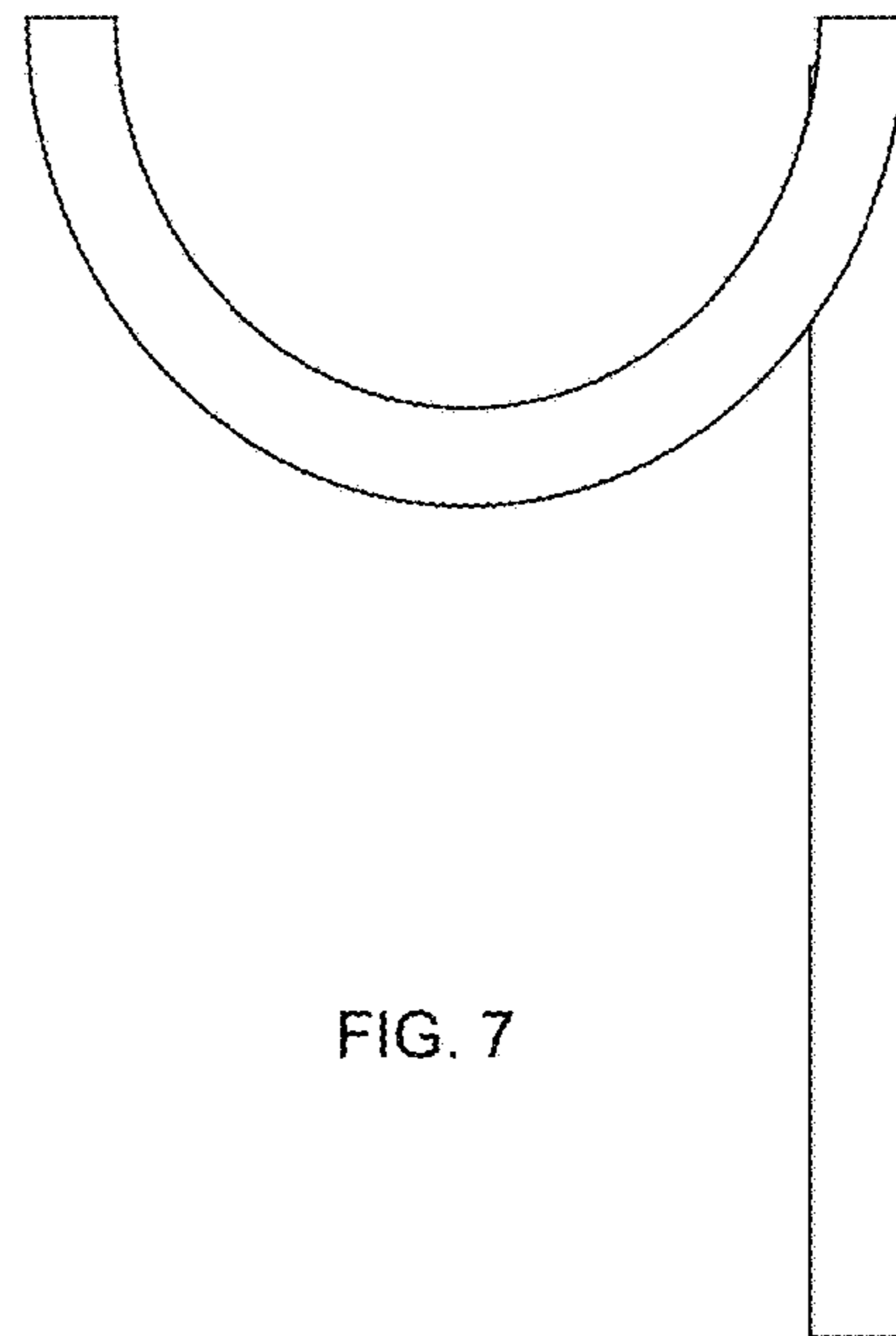


FIG. 7