

US00D792196S

(12) **United States Design Patent** (10) **Patent No.:** **US D792,196 S**  
**Nitta** (45) **Date of Patent:** **\*\* Jul. 18, 2017**

(54) **LIVE BAIT ZIP TIE**  
(71) Applicant: **Gye S. Nitta**, Honolulu, HI (US)  
(72) Inventor: **Gye S. Nitta**, Honolulu, HI (US)  
(\*\*) Term: **15 Years**  
(21) Appl. No.: **29/556,544**  
(22) Filed: **Mar. 1, 2016**  
(51) **LOC (10) Cl.** ..... **08-05**  
(52) **U.S. Cl.**  
USPC ..... **D8/356**  
(58) **Field of Classification Search**  
USPC ..... D8/356, 354, 349; 381/384  
CPC ..... E02D 5/803; B63B 21/045; B63B 59/02;  
B60D 1/18; B60P 7/0823; A44B 13/0029;  
Y10T 24/3918  
See application file for complete search history.

(56) **References Cited**  
U.S. PATENT DOCUMENTS  
4,287,644 A \* 9/1981 Durand ..... F16L 3/2334  
24/16 PB  
4,347,648 A \* 9/1982 Dekkers ..... B65D 63/1063  
24/16 PB  
4,754,529 A \* 7/1988 Paradis ..... B29C 45/0055  
24/16 PB  
4,788,751 A \* 12/1988 Shely ..... B65D 63/1072  
24/16 PB  
5,628,348 A \* 5/1997 Scott ..... B65B 13/027  
140/123.5  
5,836,053 A \* 11/1998 Davignon ..... F16L 3/233  
24/16 PB  
6,079,657 A \* 6/2000 Hwang ..... B65H 75/406  
191/12.4  
6,105,210 A \* 8/2000 Benoit ..... B65D 63/1063  
24/16 PB  
6,430,783 B1 \* 8/2002 Benoit ..... B65D 63/1063  
24/16 PB

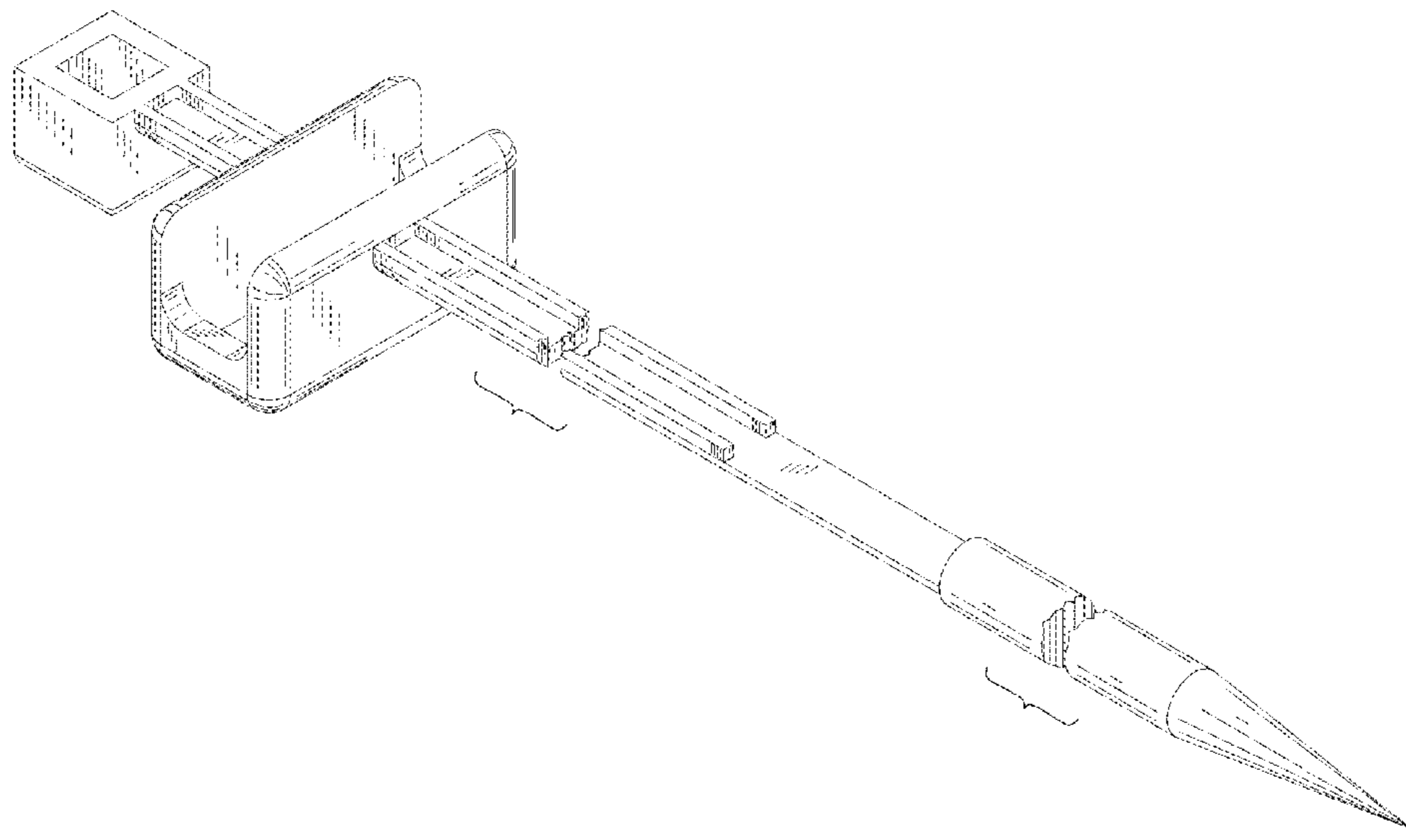
6,497,258 B1 \* 12/2002 Flannery ..... B65D 63/1063  
140/123.6  
D614,941 S \* 5/2010 Murphy ..... D8/387  
D619,887 S \* 7/2010 Colton ..... D8/396  
D698,632 S \* 2/2014 Wang ..... D8/383  
D700,826 S \* 3/2014 Qin ..... D8/367  
8,739,387 B1 \* 6/2014 Frishberg ..... F16L 3/2332  
140/93 A  
D728,351 S \* 5/2015 Martinson ..... D8/373  
D728,352 S \* 5/2015 Martinson ..... D8/373  
D749,409 S \* 2/2016 Martinson ..... D8/396  
D769,704 S \* 10/2016 Nitta ..... D8/387

\* cited by examiner  
*Primary Examiner* — Cynthia Underwood

(57) **CLAIM**  
The ornamental design for a live bait zip tie, as shown and described.

**DESCRIPTION**  
FIG. 1 is a top right perspective view of a live bait zip tie showing my new design;  
FIG. 2 is a top left perspective view thereof;  
FIG. 3 is a bottom left perspective view thereof;  
FIG. 4 is a bottom right perspective view thereof;  
FIG. 5 is a front elevational view thereof;  
FIG. 6 is a rear elevational view thereof;  
FIG. 7 is a left side elevational view thereof;  
FIG. 8 is a right side elevational view thereof;  
FIG. 9 is a top plan view thereof;  
FIG. 10 is a bottom plan view thereof; and,  
FIG. 11 is a top right perspective view thereof.  
The zip line tie is shown with a symbolic break in its length. The appearance of any portion of the article between the break lines forms no part of the claimed design. The broken line in FIG. 12 is included for the purpose of illustrating environmental structure and forms no part of the claimed design.

**1 Claim, 11 Drawing Sheets**



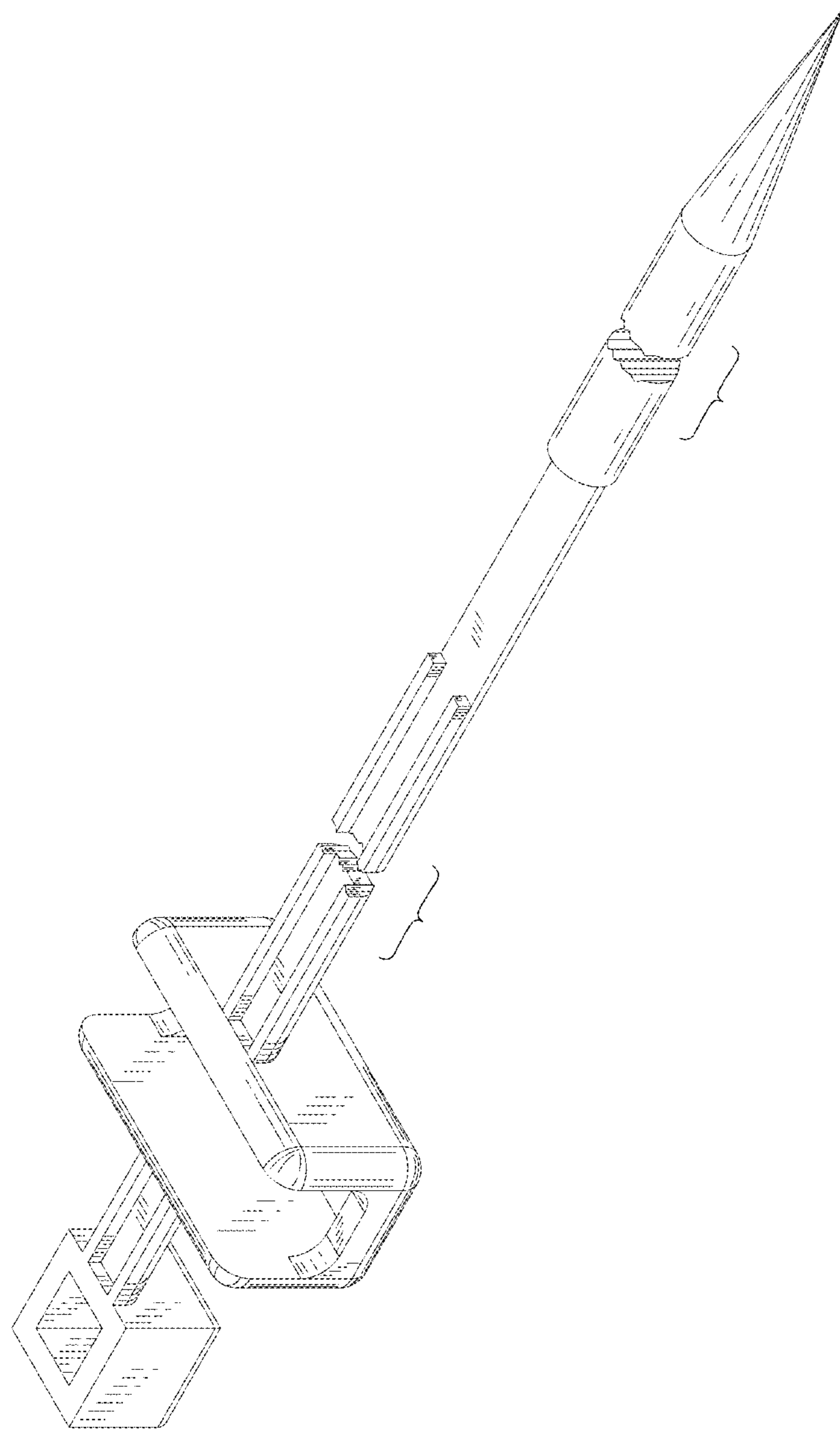


FIG. 1

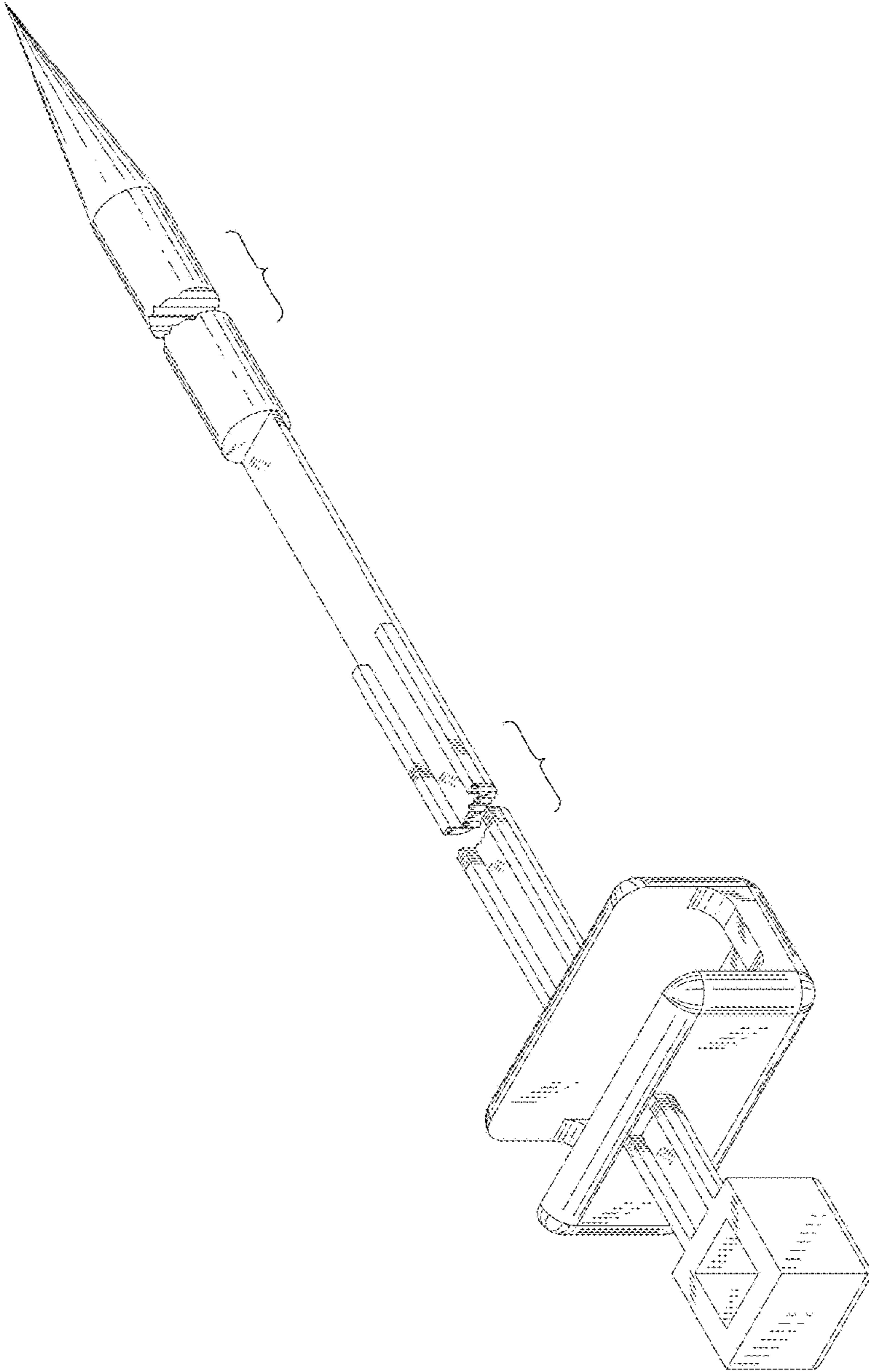


FIG. 2

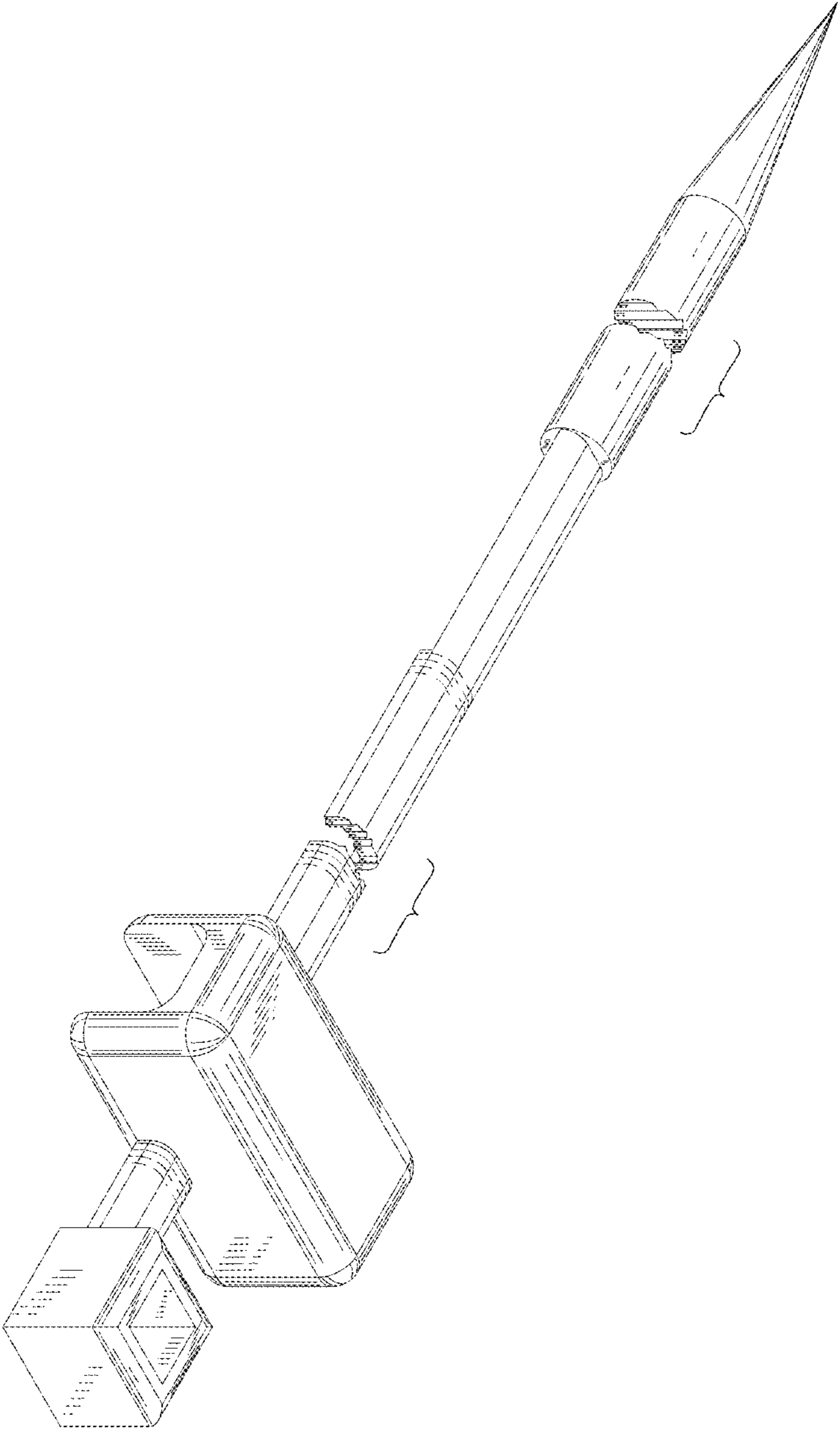


FIG. 3

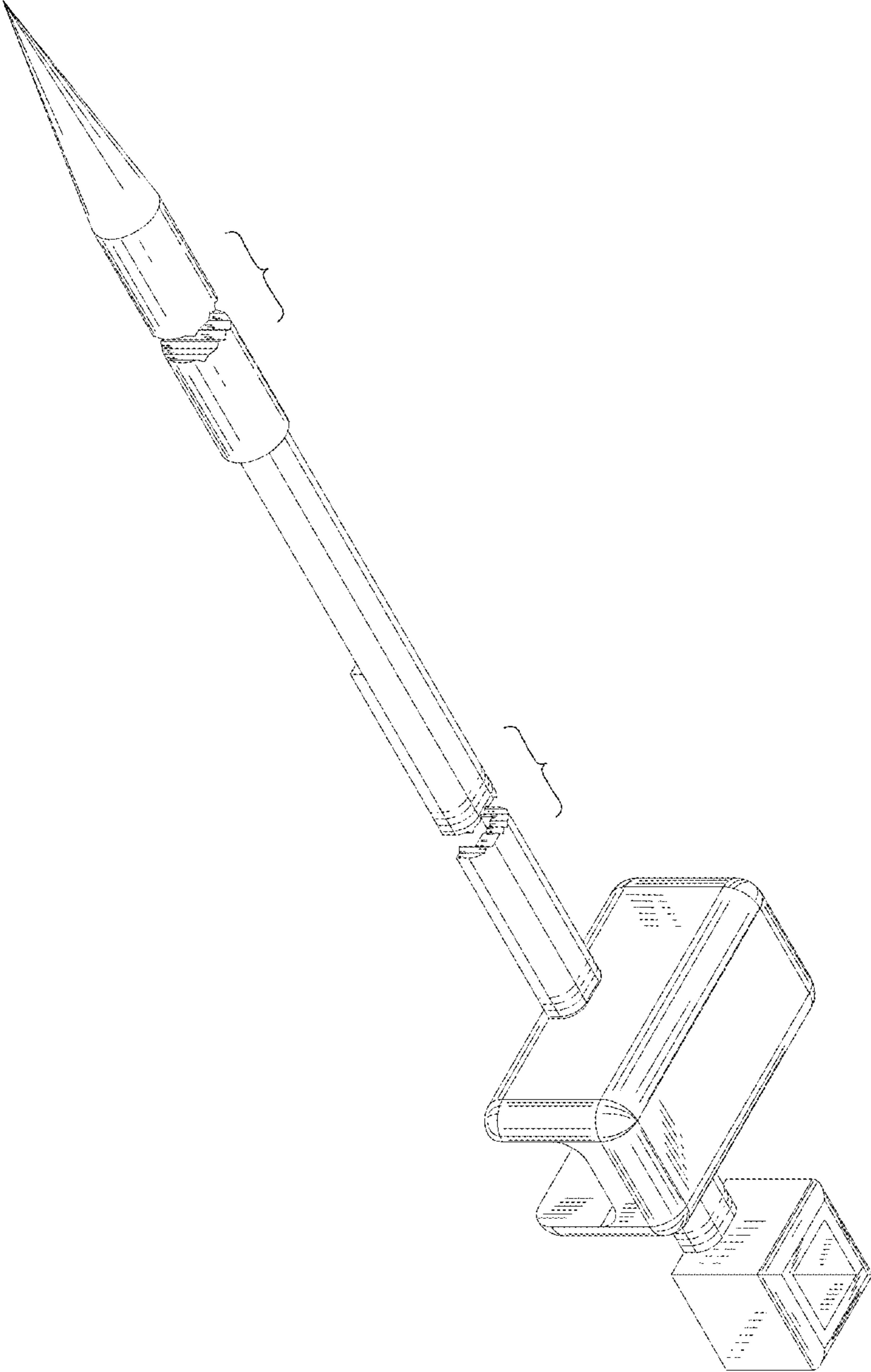


FIG. 4

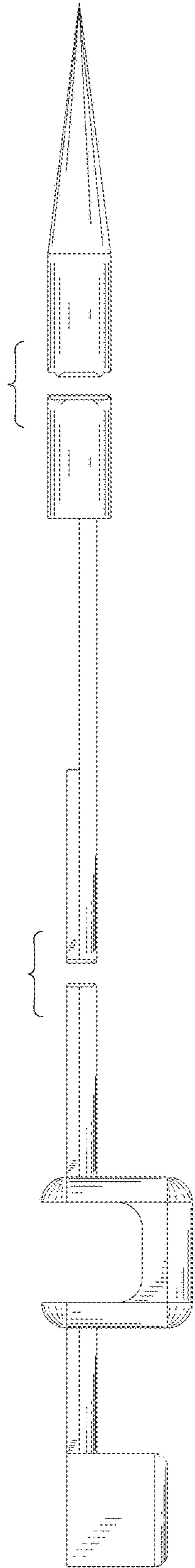


FIG. 5

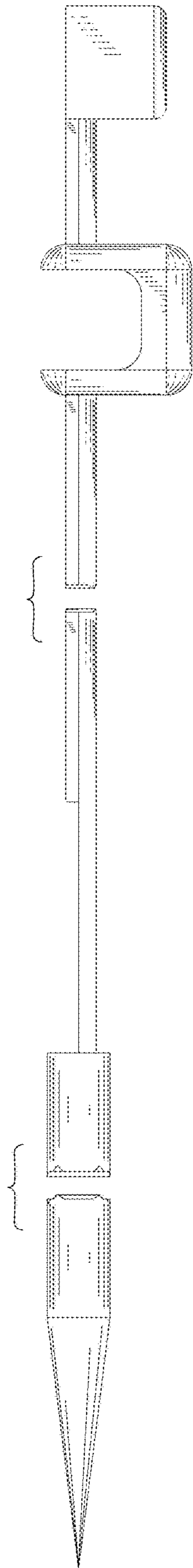


FIG. 6

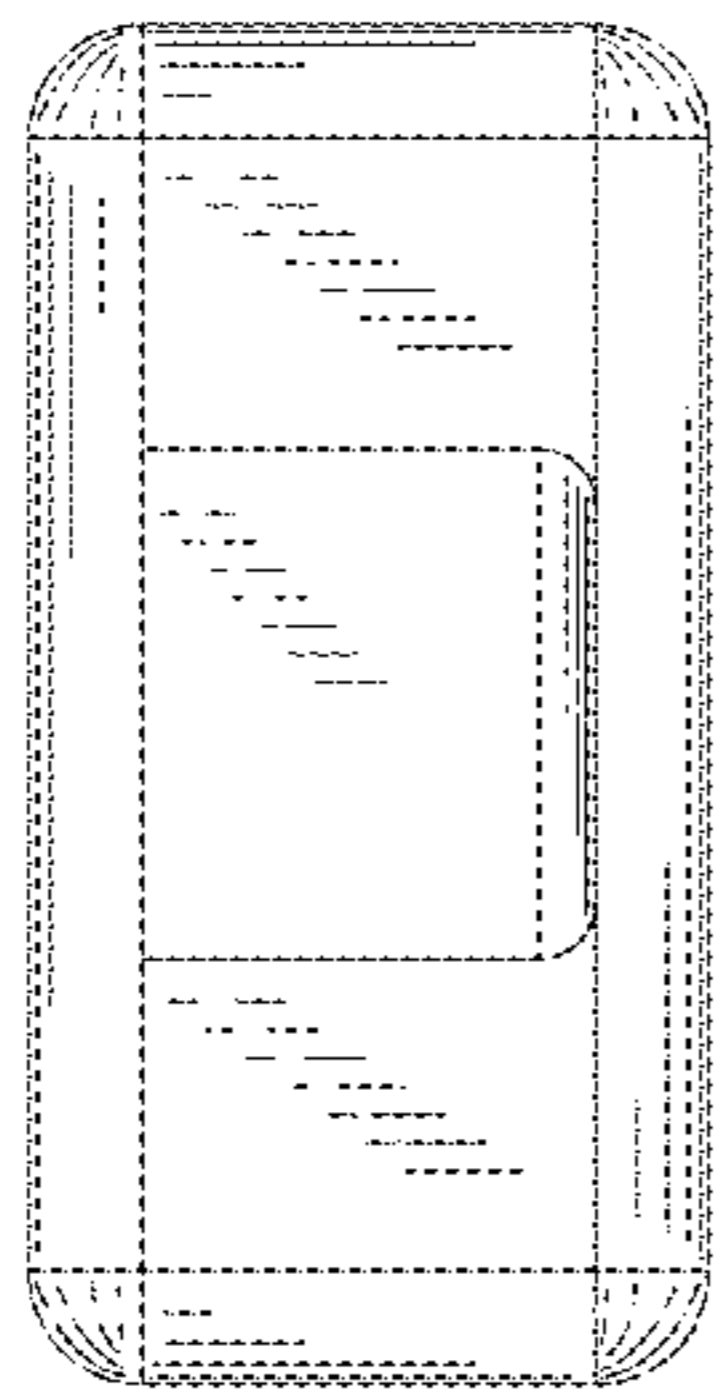


FIG. 7



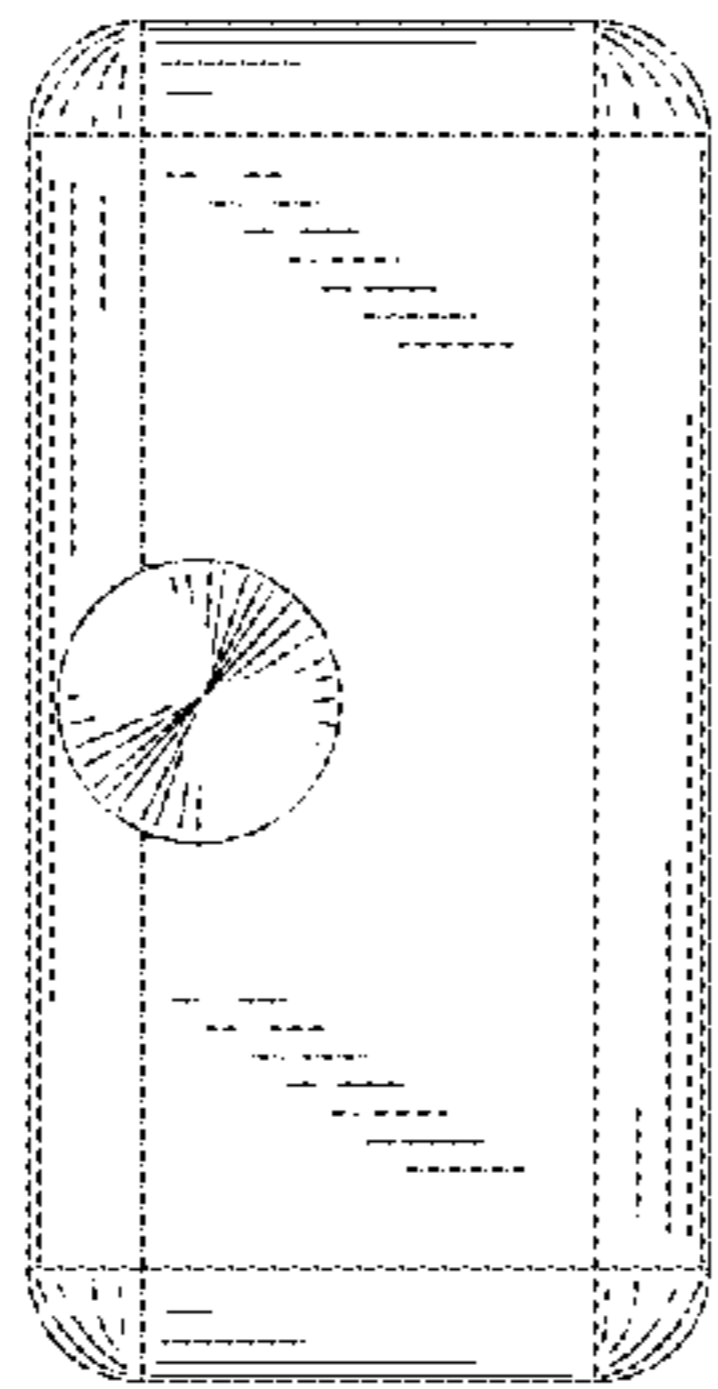


FIG. 8

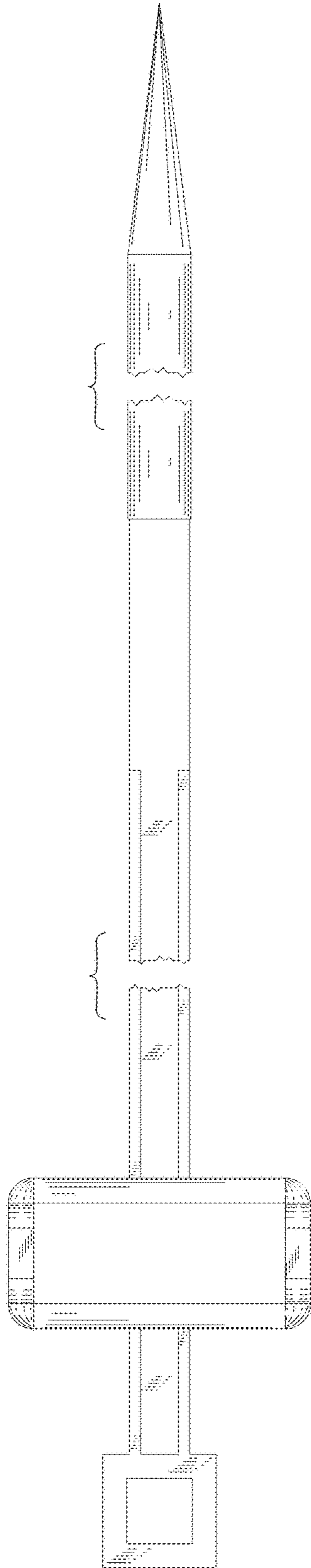


FIG. 9

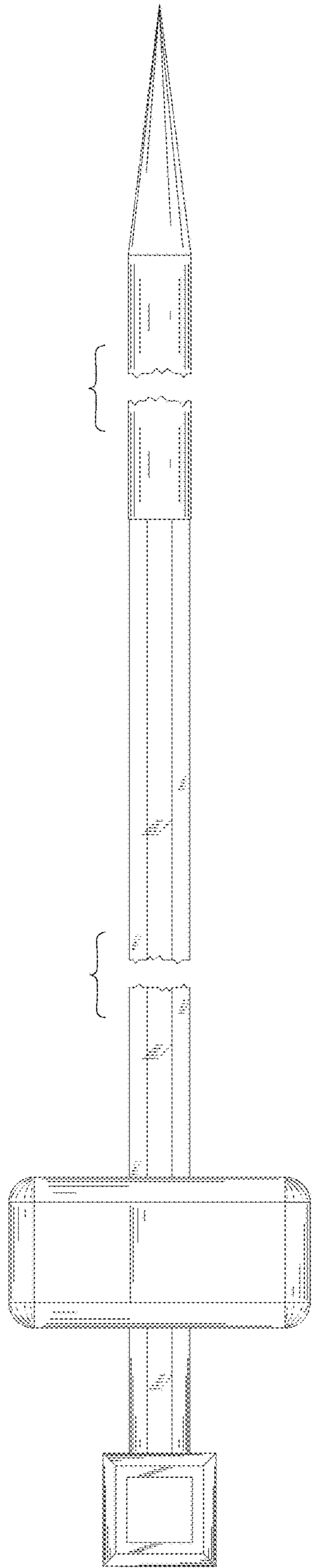


FIG. 10

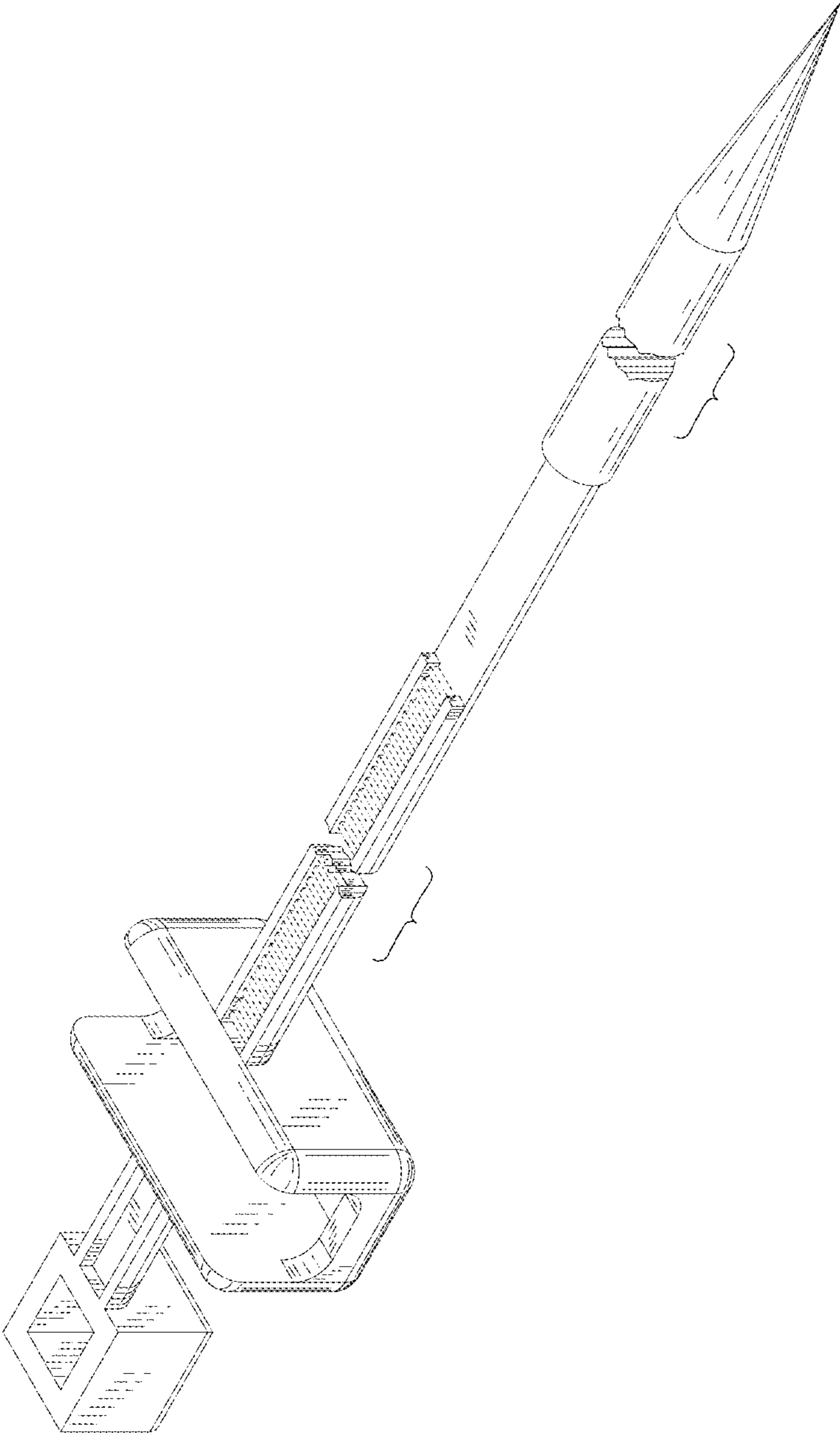


FIG. 11